



US00D884143S

(12) **United States Design Patent** (10) **Patent No.:** **US D884,143 S**
Holland et al. (45) **Date of Patent:** **** May 12, 2020**

(54) **ROOF VENT**
(71) Applicant: **AIR VENT, INC.**, Dallas, TX (US)
(72) Inventors: **Robert B. Holland**, Rowlett, TX (US);
Grayson Griffin, Grand Prairie, TX (US); **Rochelle D. Wellhausen-Grimm**, Euless, TX (US)
(73) Assignee: **AIR VENT, INC.**, Dallas, TX (US)
(**) Term: **15 Years**
(21) Appl. No.: **29/656,532**
(22) Filed: **Jul. 13, 2018**
(51) **LOC (12) Cl.** **23-04**
(52) **U.S. Cl.**
USPC **D23/373**; D23/393
(58) **Field of Classification Search**
USPC D23/370-376, 378-385, 386, 393, 411;
D25/139, 142, 143
CPC F24F 7/02
See application file for complete search history.

(56) **References Cited**
U.S. PATENT DOCUMENTS
D203,484 S * 1/1966 Rousey et al. D23/373
6,277,024 B1 * 8/2001 Coulton F24F 7/02
454/365
D574,947 S * 8/2008 Grisham D23/393
D602,579 S * 10/2009 Stone D23/373
7,662,037 B2 * 2/2010 Polston E04D 13/174
454/365
7,766,735 B2 * 8/2010 Ciepliski F24F 7/02
454/365
D654,161 S 2/2012 Holland et al.
D694,394 S * 11/2013 Polston D23/393
8,790,167 B2 7/2014 Holland et al.
D710,985 S * 8/2014 Gassman D23/373
D729,927 S * 5/2015 Fiser D23/393
9,175,480 B1 * 11/2015 Polston E04D 13/174

D777,952 S * 1/2017 Fiser D25/139
9,695,594 B2 * 7/2017 Van Wey E04D 13/176
9,890,965 B2 2/2018 Holland et al.
10,233,650 B2 * 3/2019 Fiser E04D 13/174
2007/0072540 A1 * 3/2007 Ciepliski E04D 13/174
454/365
2009/0049769 A1 * 2/2009 Kaseda E04D 13/174
52/198

(Continued)

Primary Examiner — Cathron C Brooks
Assistant Examiner — Sharon S Oum
(74) *Attorney, Agent, or Firm* — Eckert Seamans Cherin & Mellott, LLC

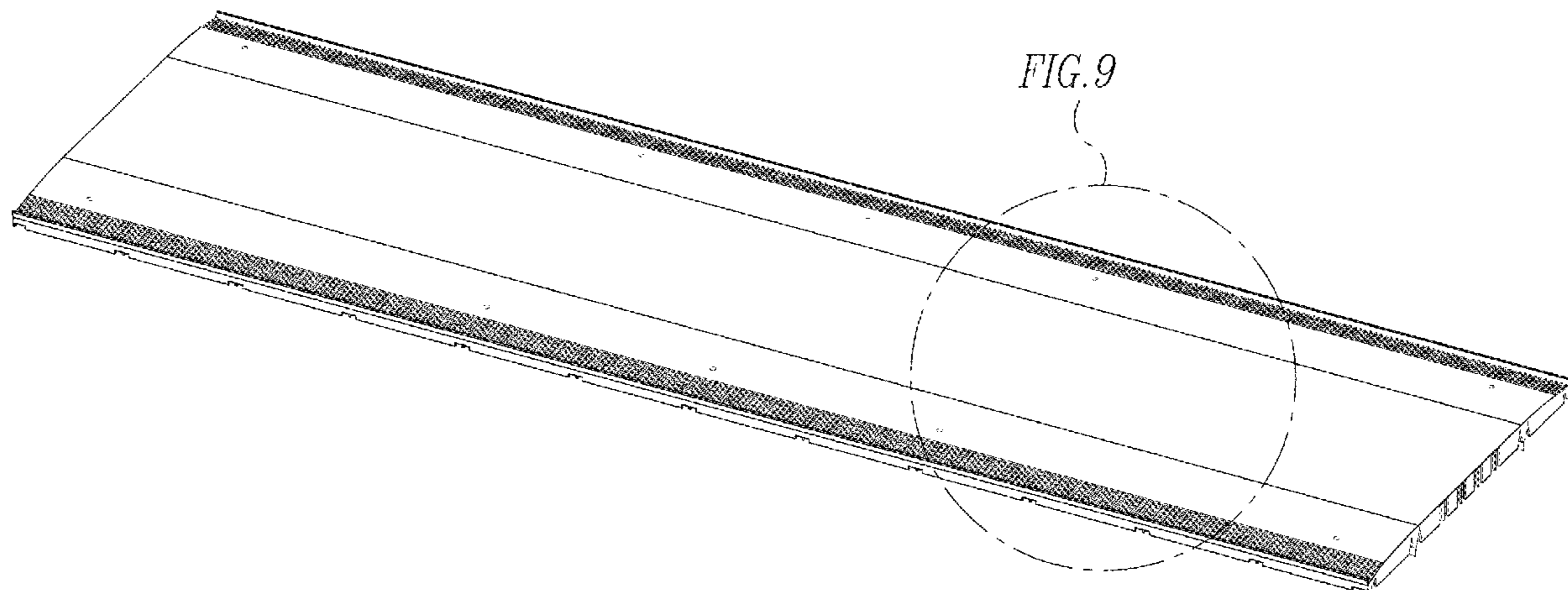
(57) **CLAIM**

The ornamental design for a roof vent, as shown and described.

DESCRIPTION

FIG. 1 is a top isometric view of the roof vent;
FIG. 2 is a bottom isometric view of the roof vent of FIG. 1;
FIG. 3 is a top plan view of the roof vent of FIG. 1;
FIG. 4 is a bottom plan view of the roof vent of FIG. 1;
FIG. 5 is a right end elevation view of the roof vent of FIG. 1;
FIG. 6 is a left end elevation view of the roof vent of FIG. 1;
FIG. 7 is a back side elevation view of the roof vent of FIG. 1;
FIG. 8 is a front side elevation view of the roof vent of FIG. 1;
FIG. 9 is an enlarged view of a segment of FIG. 1;
FIG. 10 is an enlarged view of a segment of FIG. 2;
FIG. 11 is an enlarged view of a segment of FIG. 3; and,
FIG. 12 is an enlarged view of a segment of FIG. 4.
The broken lines illustrate portions of the roof vent and form no part of the claimed design.

1 Claim, 10 Drawing Sheets



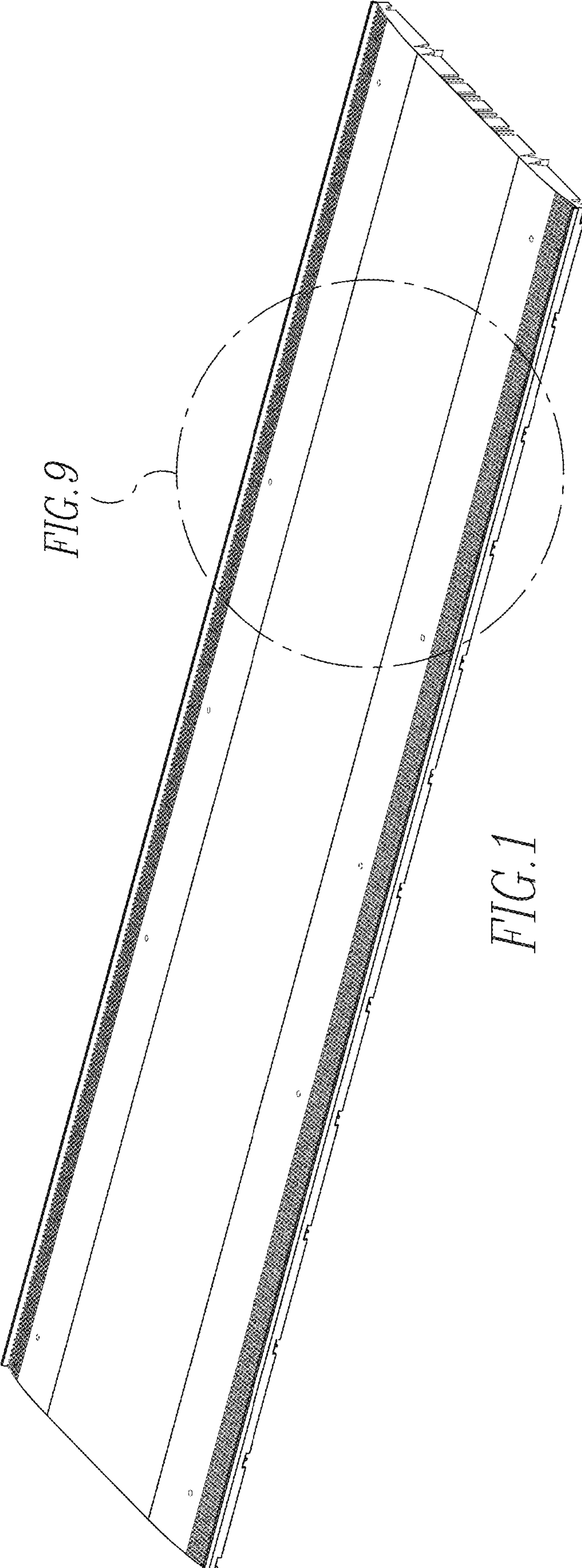
(56)

References Cited

U.S. PATENT DOCUMENTS

2016/0201332 A1* 7/2016 Fiser E04D 13/174
454/365
2016/0369513 A1* 12/2016 Van Wey E04D 13/176

* cited by examiner



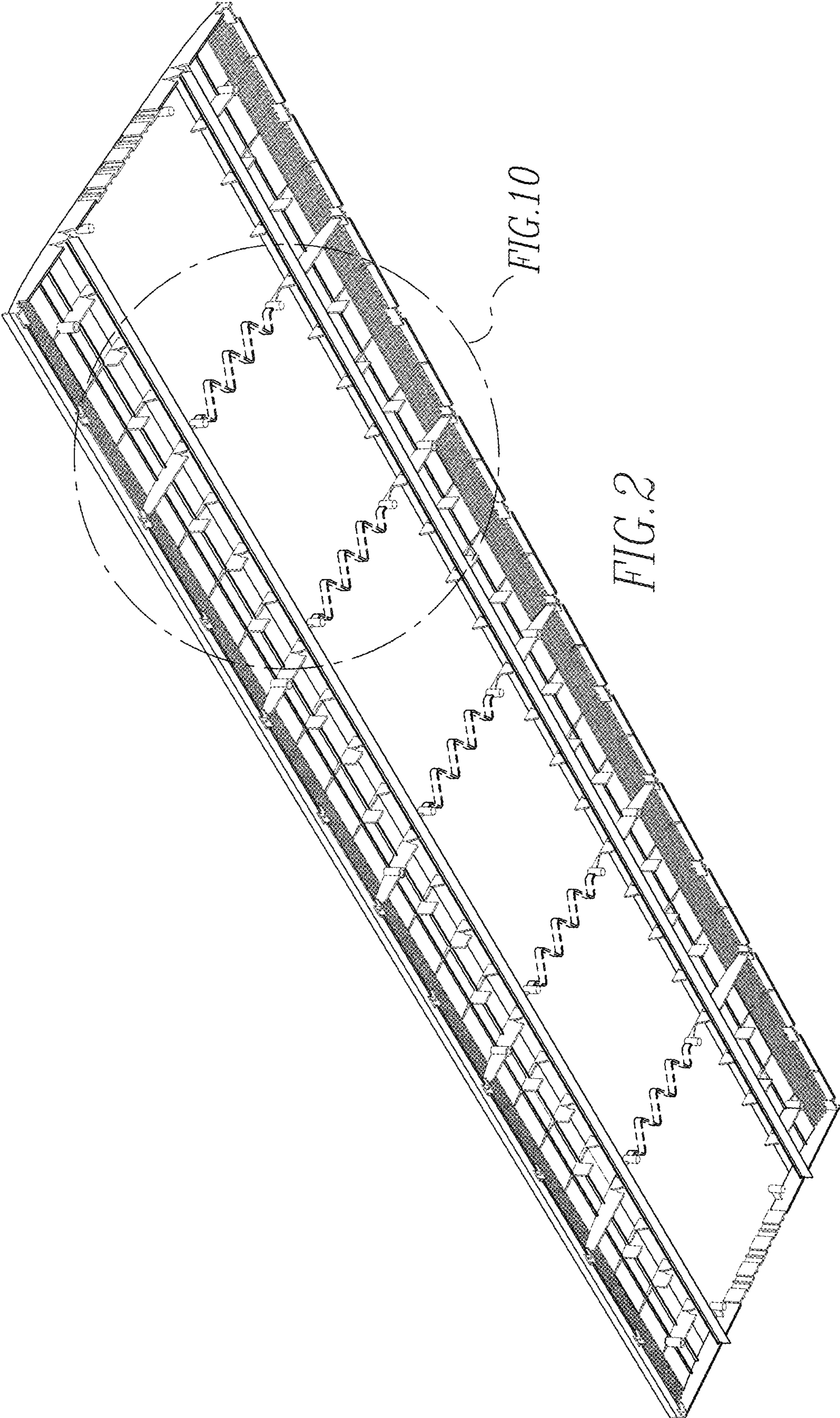
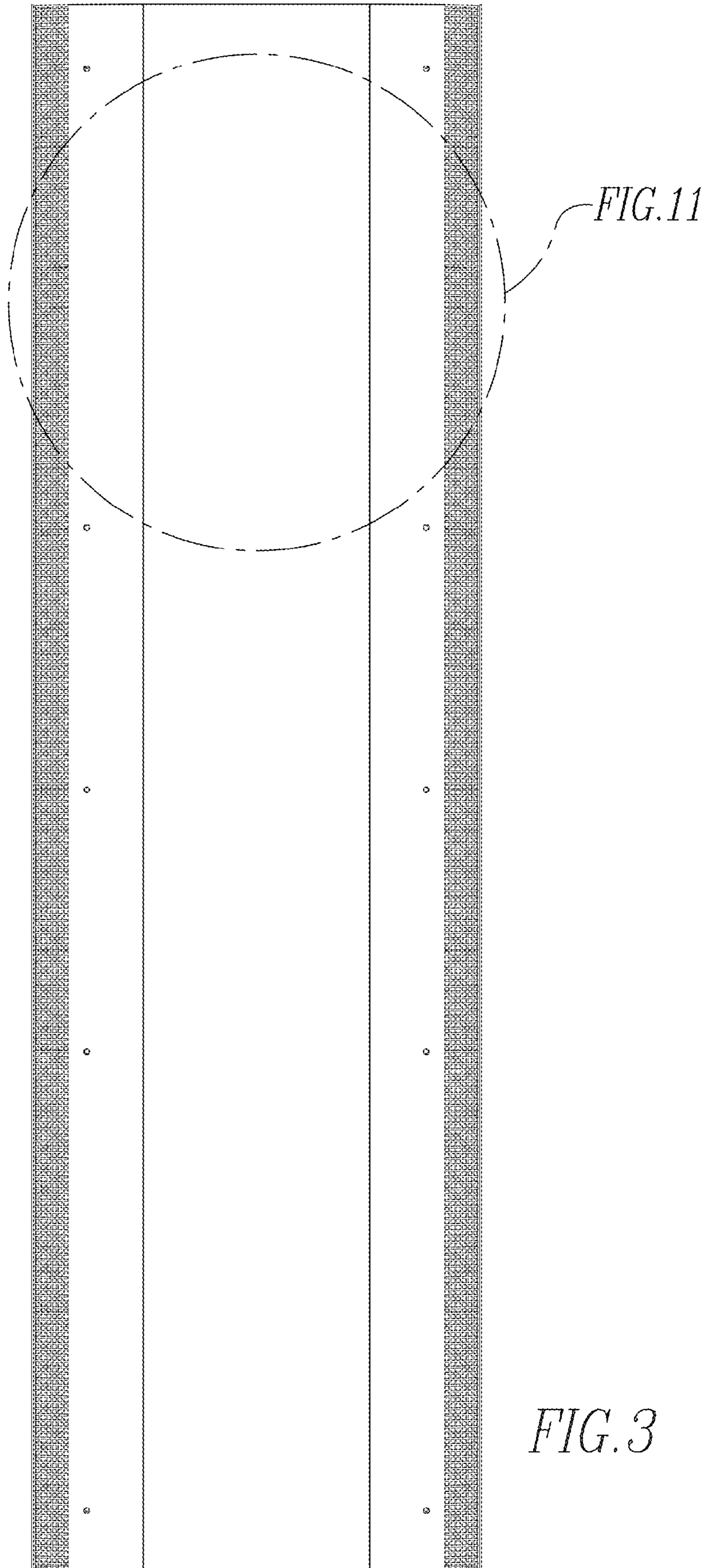
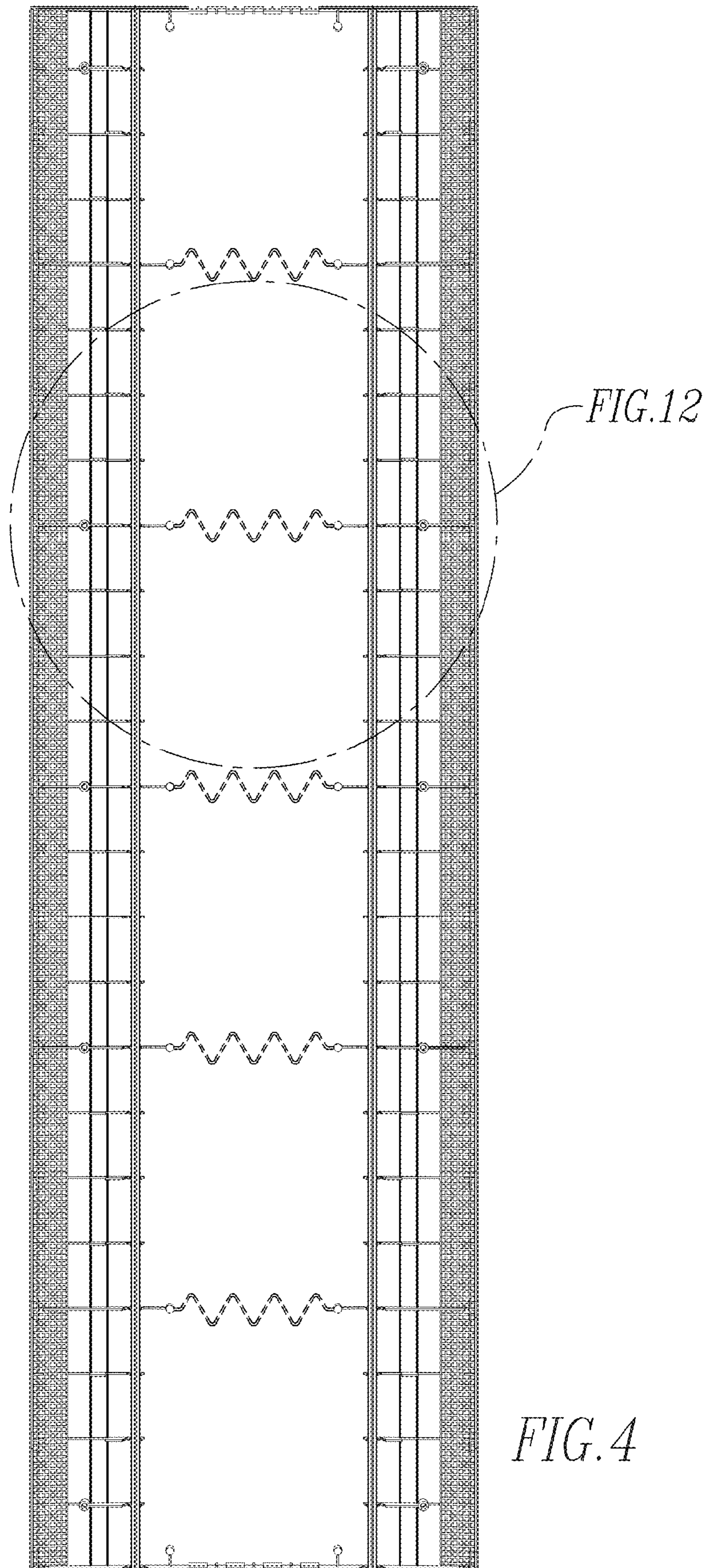


FIG.10

FIG.2





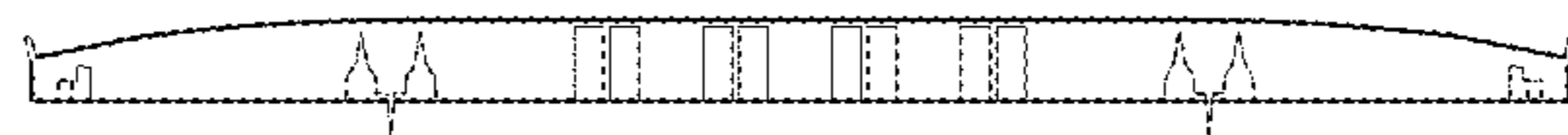


FIG. 5



FIG. 6

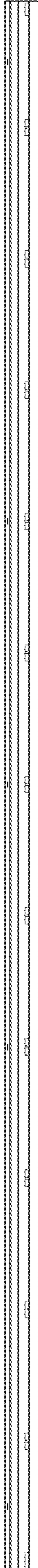


FIG. 7



FIG. 8

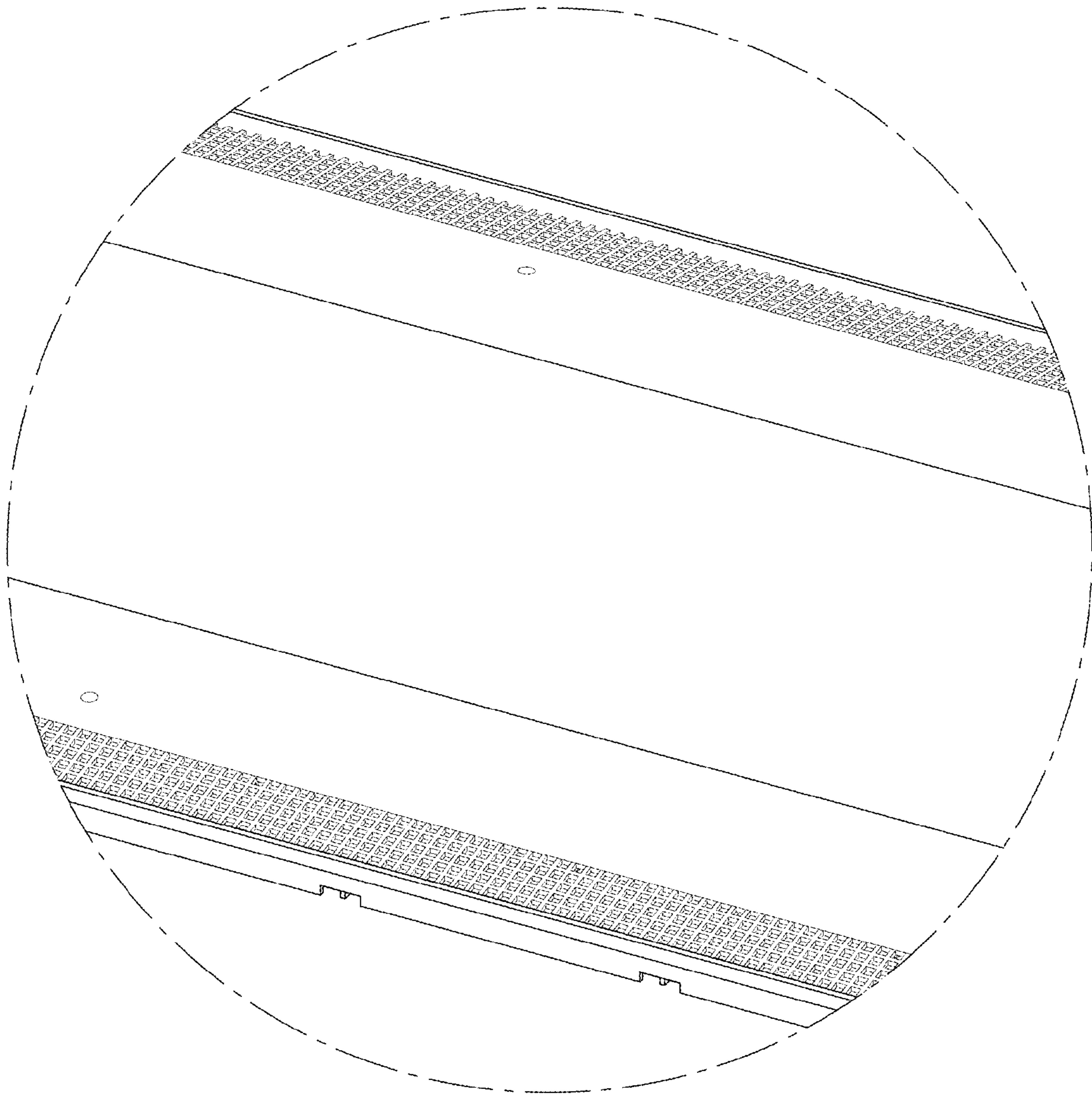


FIG. 9

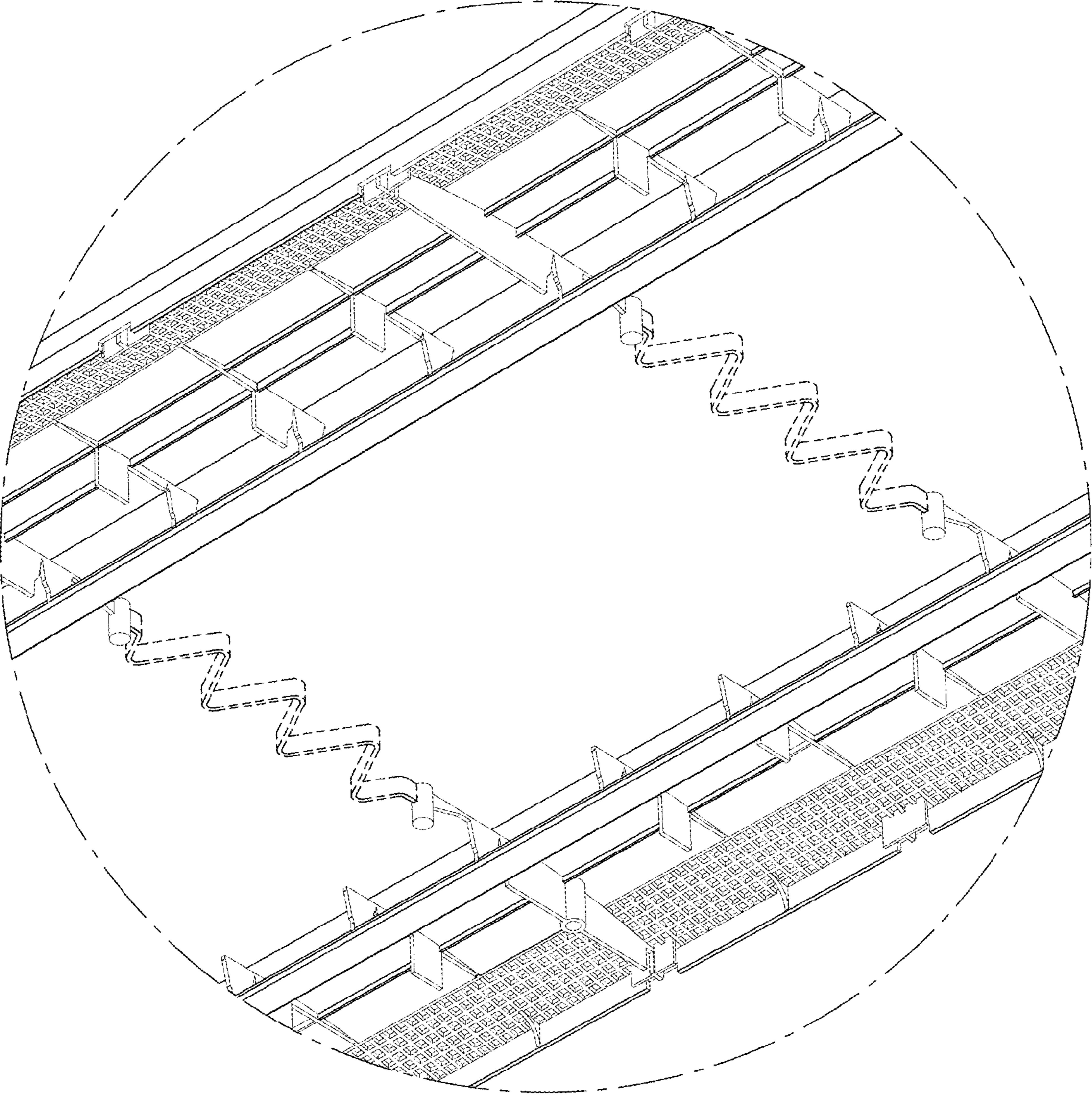


FIG.10

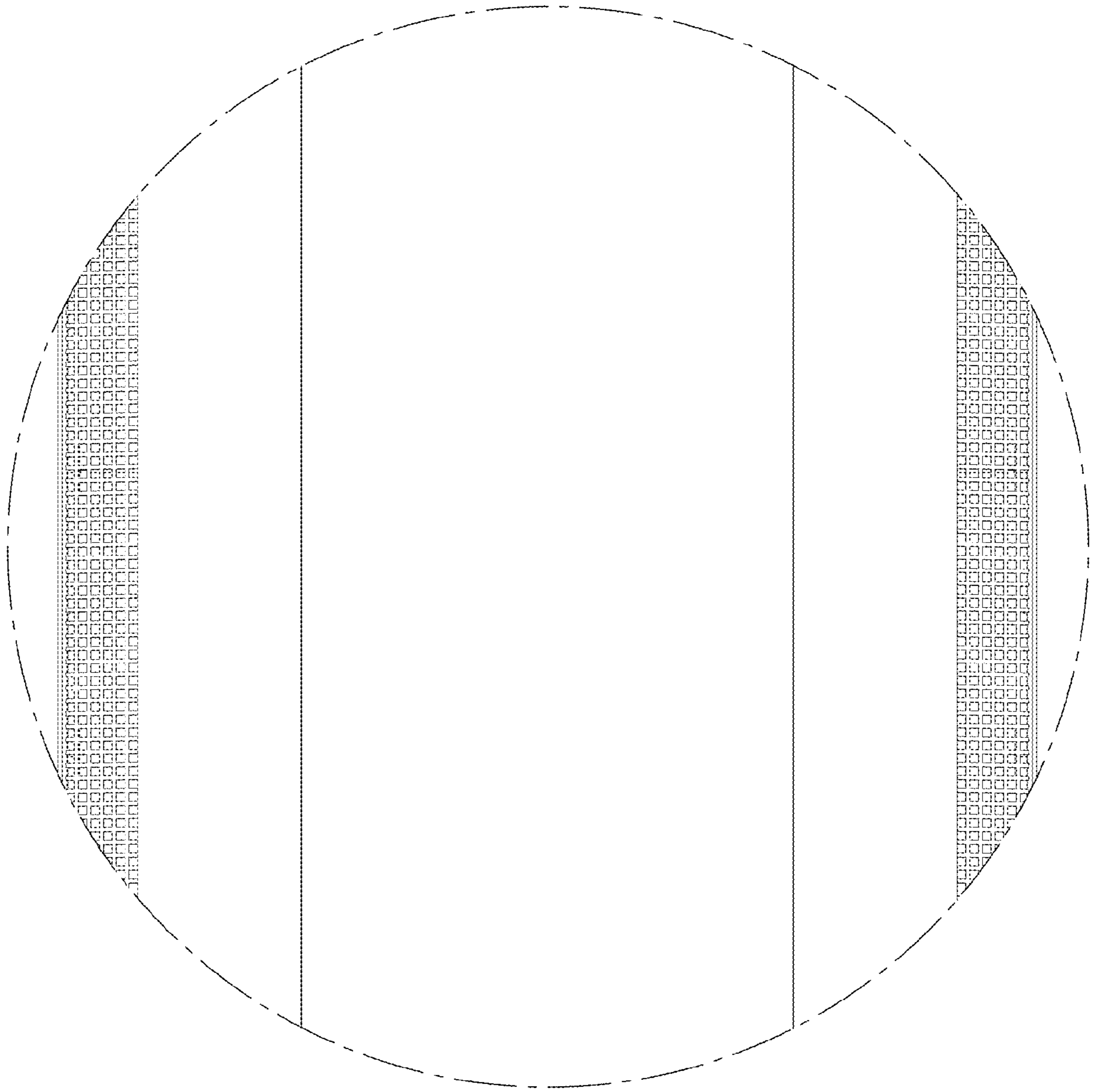


FIG. 11

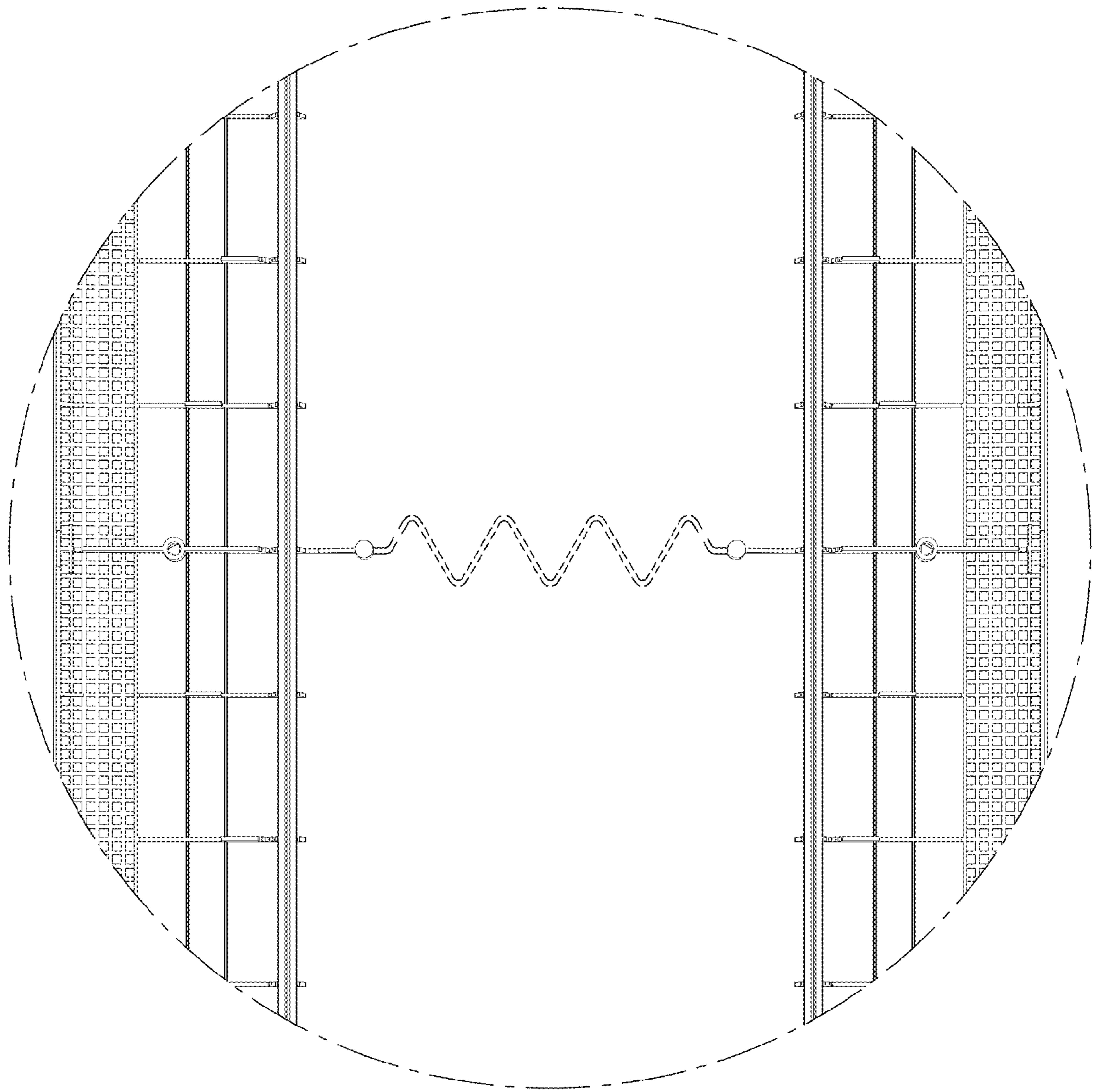


FIG.12