



US00D884142S

(12) **United States Design Patent** (10) **Patent No.:** **US D884,142 S**
Nanda (45) **Date of Patent:** **** May 12, 2020**

(54) **DIFFUSER** D641,464 S * 7/2011 De Haan A61L 9/03
D23/366
(71) Applicant: **Gurunanda, LLC**, Buena Park, CA D673,253 S * 12/2012 Mack D23/366
(US) D686,717 S * 7/2013 Mack D23/366
D731,635 S * 6/2015 Venisti A61L 9/12
D23/366
(72) Inventor: **Puneet Nanda**, Beverly Hills, CA (US) 9,278,151 B2 * 3/2016 Westphal A61L 9/12
D834,771 S * 11/2018 Theno D30/199
(73) Assignee: **GURUNANDA, LLC**, Buena Park, CA D853,547 S * 7/2019 Avidor D23/366
(US) 2009/0162252 A1 * 6/2009 Chang A61L 9/03
422/123

(**) Term: **15 Years**

* cited by examiner

(21) Appl. No.: **29/659,264**

Primary Examiner — Sheryl Lane

(22) Filed: **Aug. 7, 2018**

Assistant Examiner — Calvin E Vansant

(51) **LOC (12) Cl.** **23-04**

(74) *Attorney, Agent, or Firm* — Snell & Wilmer LLP

(52) **U.S. Cl.**
USPC **D23/366**

(57) **CLAIM**

(58) **Field of Classification Search**
USPC D23/208, 355–369; D14/209.1, 212–213;
D8/1, 391
CPC A61L 9/02; A61L 9/03; A61L 9/12; A61L
9/035; A61L 9/125; A61L 2209/15; A61L
2209/16
See application file for complete search history.

I claim the ornamental design for a diffuser, as shown and described.

DESCRIPTION

(56) **References Cited**

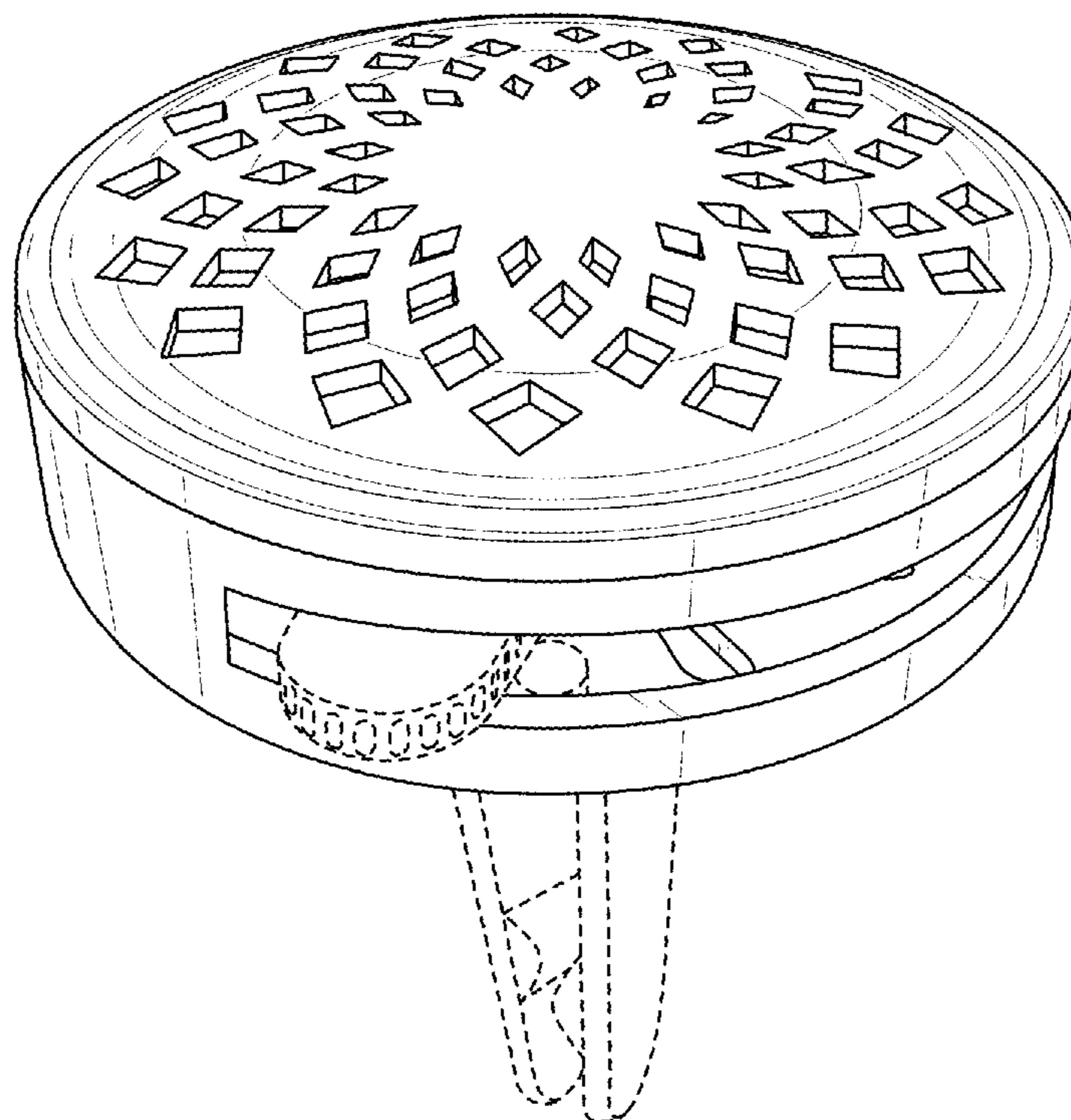
FIG. 1 is a front perspective view of the diffuser;
FIG. 2 is a rear perspective view of the diffuser;
FIG. 3 is a left side view of the diffuser;
FIG. 4 is a right side view of the diffuser;
FIG. 5 is a bottom view of the diffuser;
FIG. 6 is a top view of the diffuser;
FIG. 7 is a front view of the diffuser; and,
FIG. 8 is a rear view of the diffuser.

U.S. PATENT DOCUMENTS

D212,753 S * 11/1968 Tughan D23/369
D323,383 S * 1/1992 Keays D23/366
D491,257 S * 6/2004 Picken, Jr. D23/366
D550,345 S * 9/2007 Weggelaar D23/366
D551,333 S * 9/2007 Wu D23/366
D583,037 S * 12/2008 Kenny D23/366
D631,954 S * 2/2011 Bertassi D23/366

The broken lines in the Figures depict portions of the diffuser that form no part of the claimed design. The unshaded surfaces bounded by broken lines form no part of the claimed design.

1 Claim, 8 Drawing Sheets



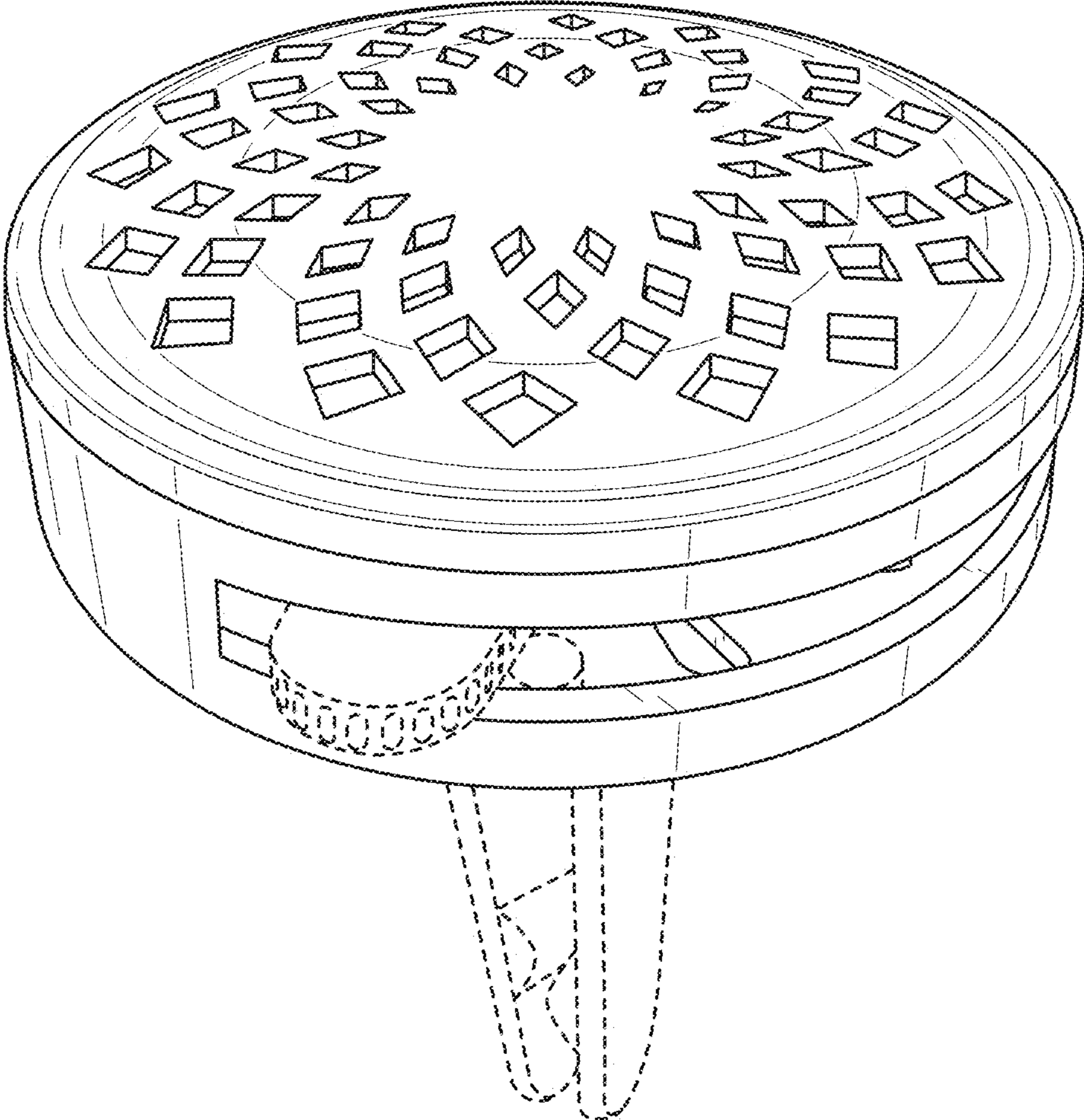


FIG. 1

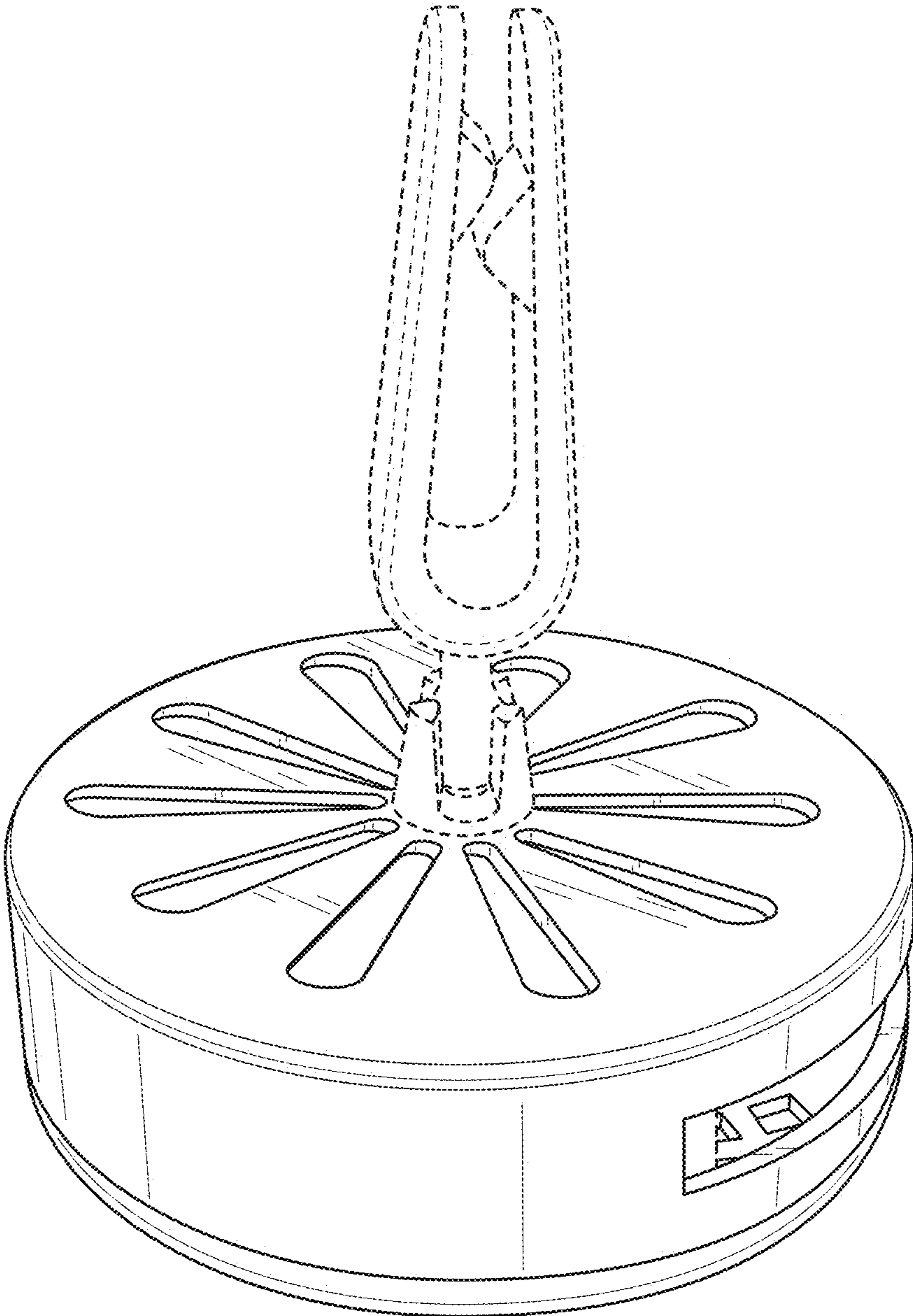


FIG. 2

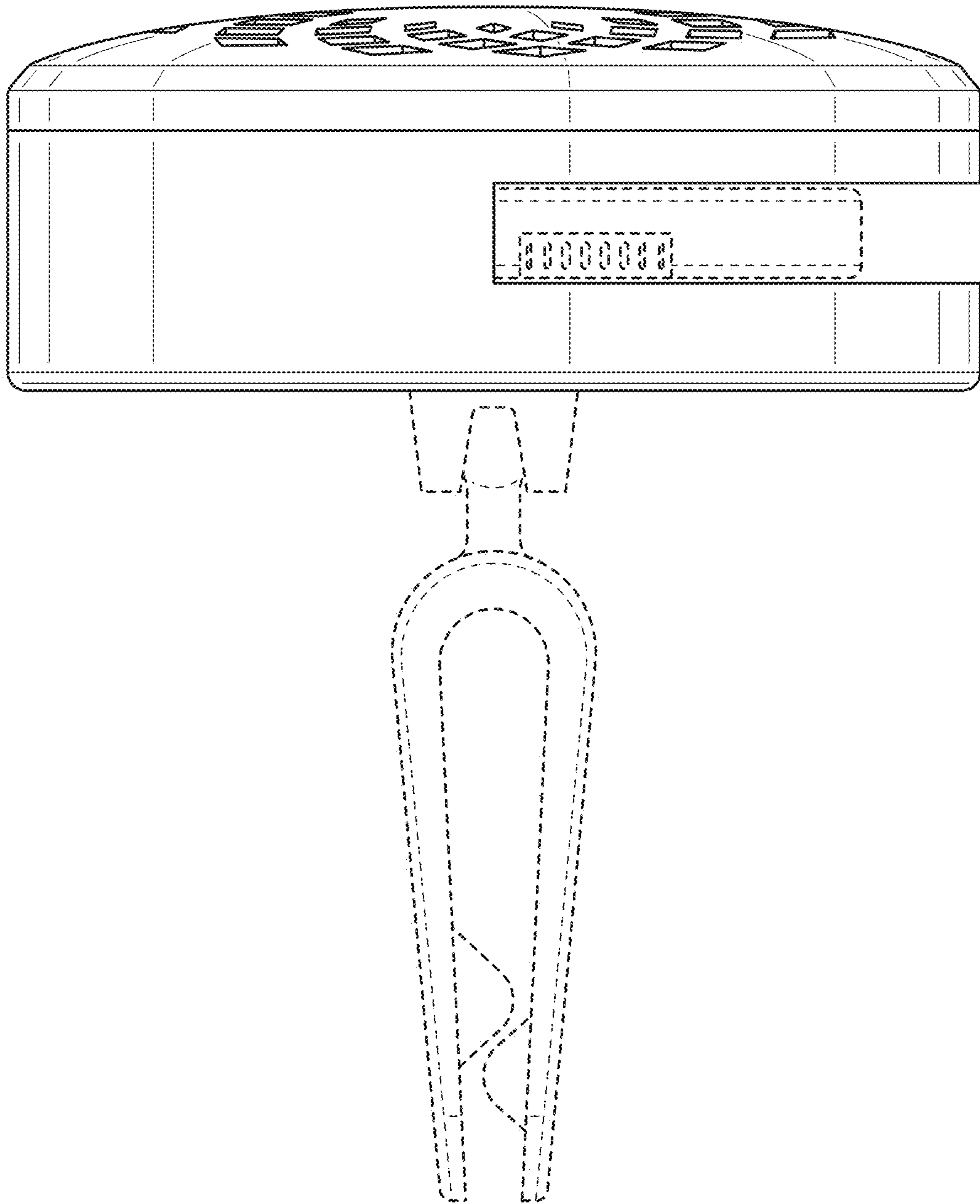


FIG. 3

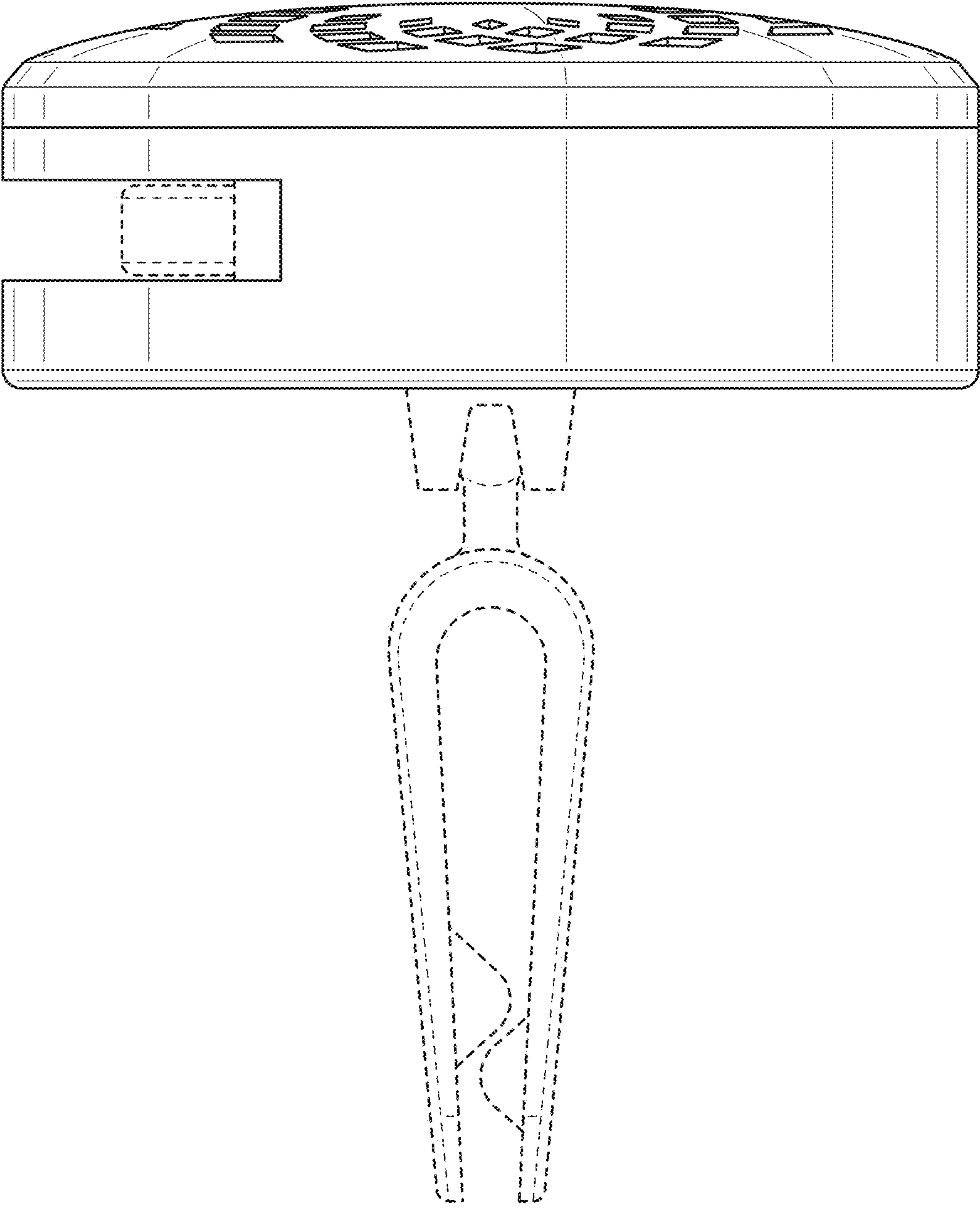


FIG. 4

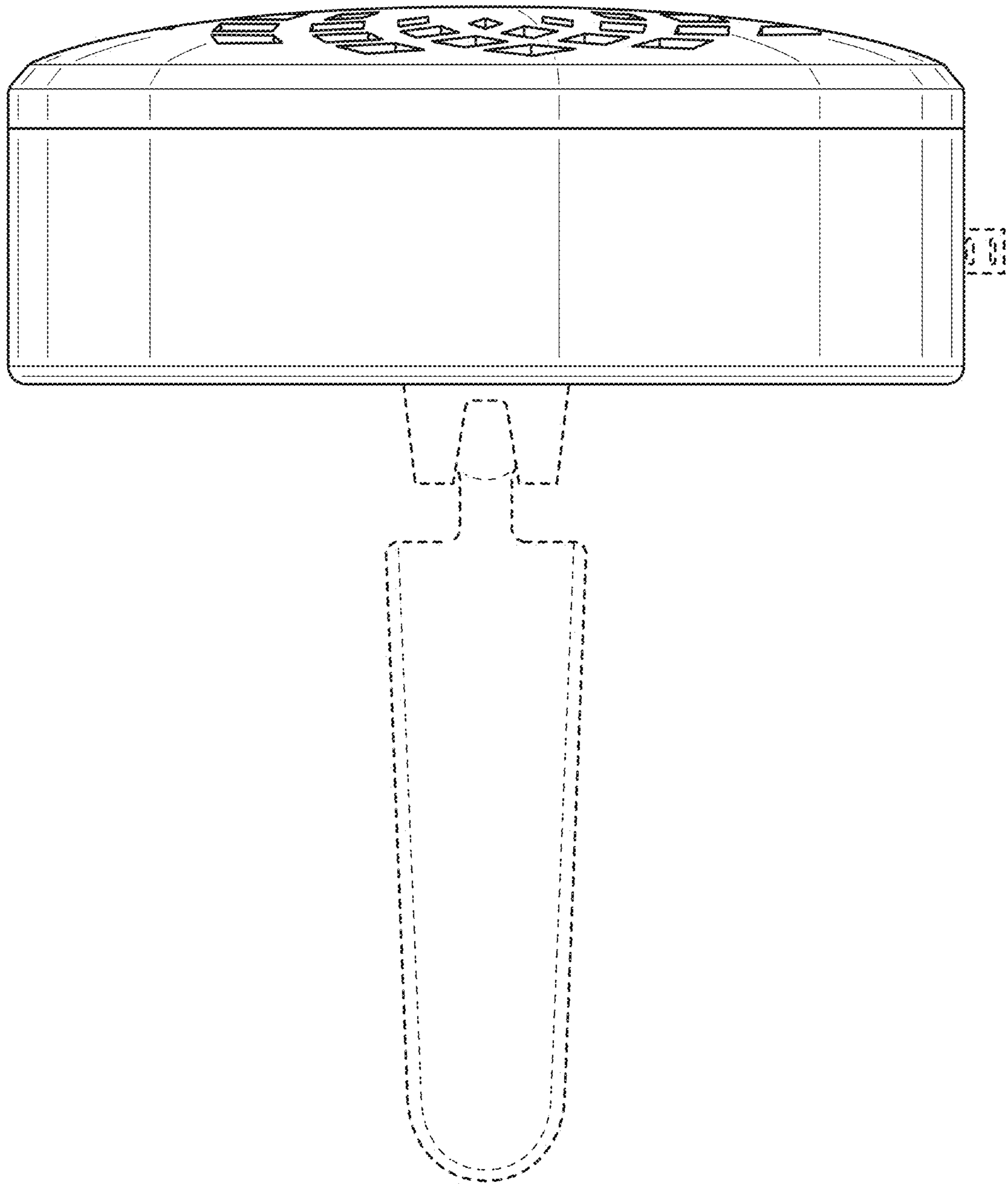


FIG. 5

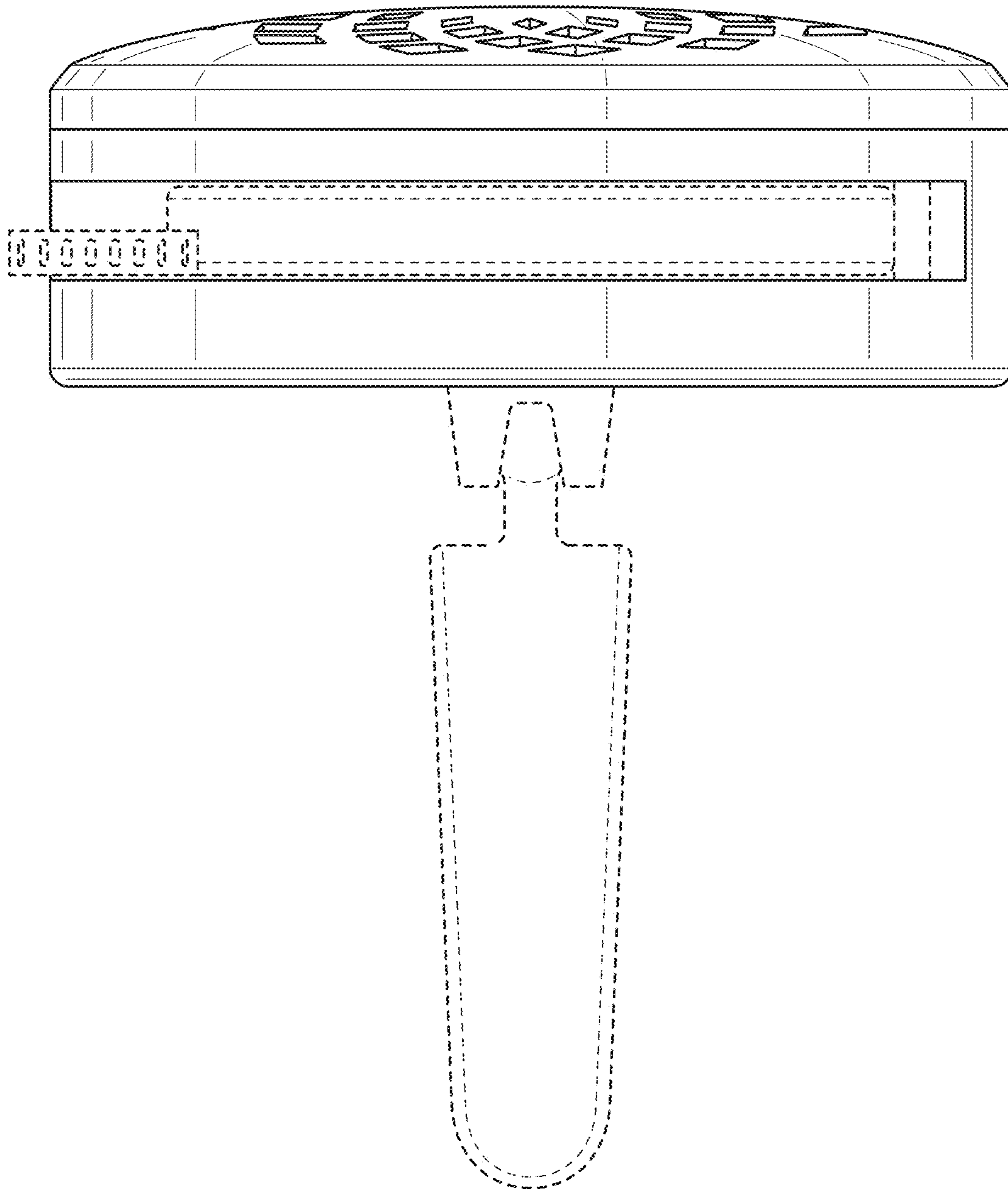


FIG. 6

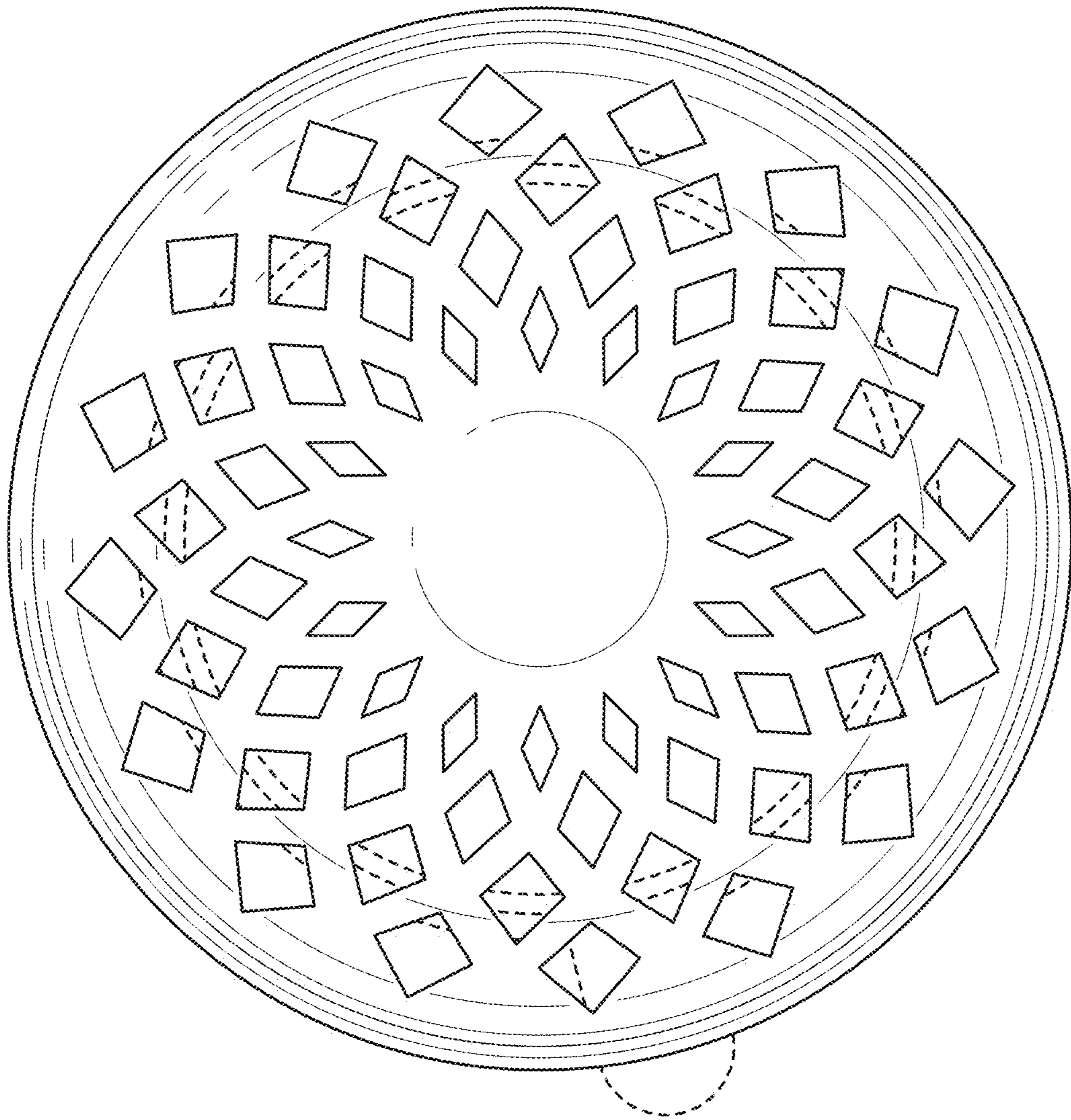


FIG. 7

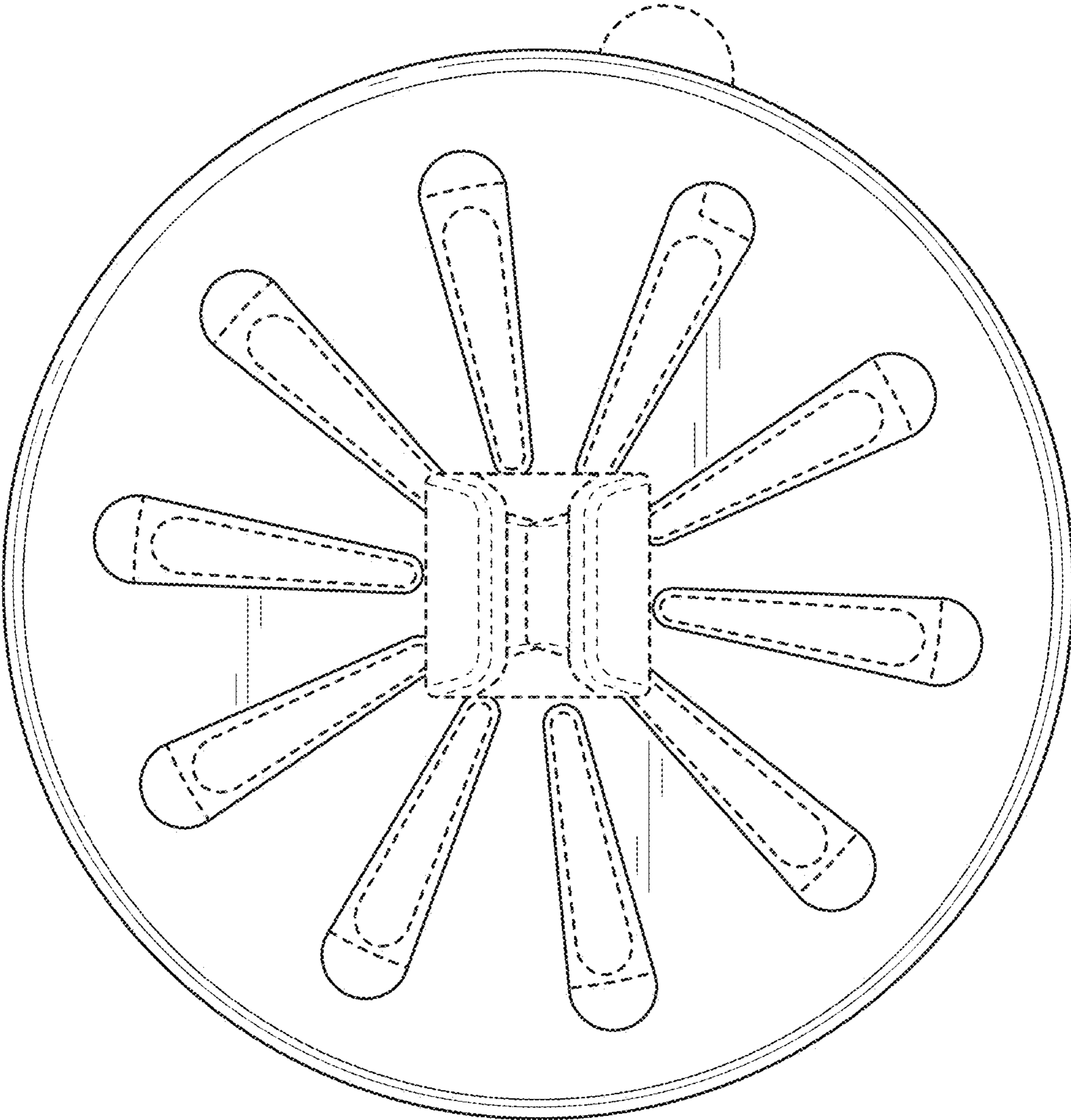


FIG. 8