



US00D884140S

(12) **United States Design Patent**
Nanda

(10) **Patent No.:** **US D884,140 S**

(45) **Date of Patent:** **** May 12, 2020**

(54) **DIFFUSER**

D717,305 S * 11/2014 Alesi D14/433
9,088,086 B2 * 7/2015 Tseng H01R 35/00
9,623,137 B2 4/2017 Chao et al.

(71) Applicant: **Gurunanda, LLC**, Buena Park, CA
(US)

(72) Inventor: **Puneet Nanda**, Beverly Hills, CA (US)

(73) Assignee: **GURUNANDA, LLC**, Buena Park, CA
(US)

(**) Term: **15 Years**

(21) Appl. No.: **29/643,337**

(22) Filed: **Apr. 6, 2018**

(51) **LOC (12) Cl.** **23-04**

(52) **U.S. Cl.**
USPC **D23/366; D23/386**

(58) **Field of Classification Search**
USPC D23/208, 355–369; D14/209.1, 212–213;
D11/144
CPC A61L 9/02; A61L 9/03; A61L 9/12; A61L
9/035; A61L 9/125
See application file for complete search history.

(56) **References Cited**

U.S. PATENT DOCUMENTS

D444,788 S * 7/2001 Do H05K 5/0278
D14/480.6
D606,077 S * 12/2009 Hu H05K 5/0278
D14/480.1
D709,891 S * 7/2014 Alesi D14/433

OTHER PUBLICATIONS

GuruNanda.com, Natural Mist Pluggy USB Wall Plug-In Diffuser, undated online product page, retrieved Jul. 7, 2019 from <URL: <https://www.gurunanda.com/products/natural-mist-usb-wall-diffuser-nebulizing-plug-in-diffuser>> (Year: 2019).*

* cited by examiner

Primary Examiner — Sheryl Lane

Assistant Examiner — Calvin E Vansant

(74) *Attorney, Agent, or Firm* — Snell & Wilmer LLP

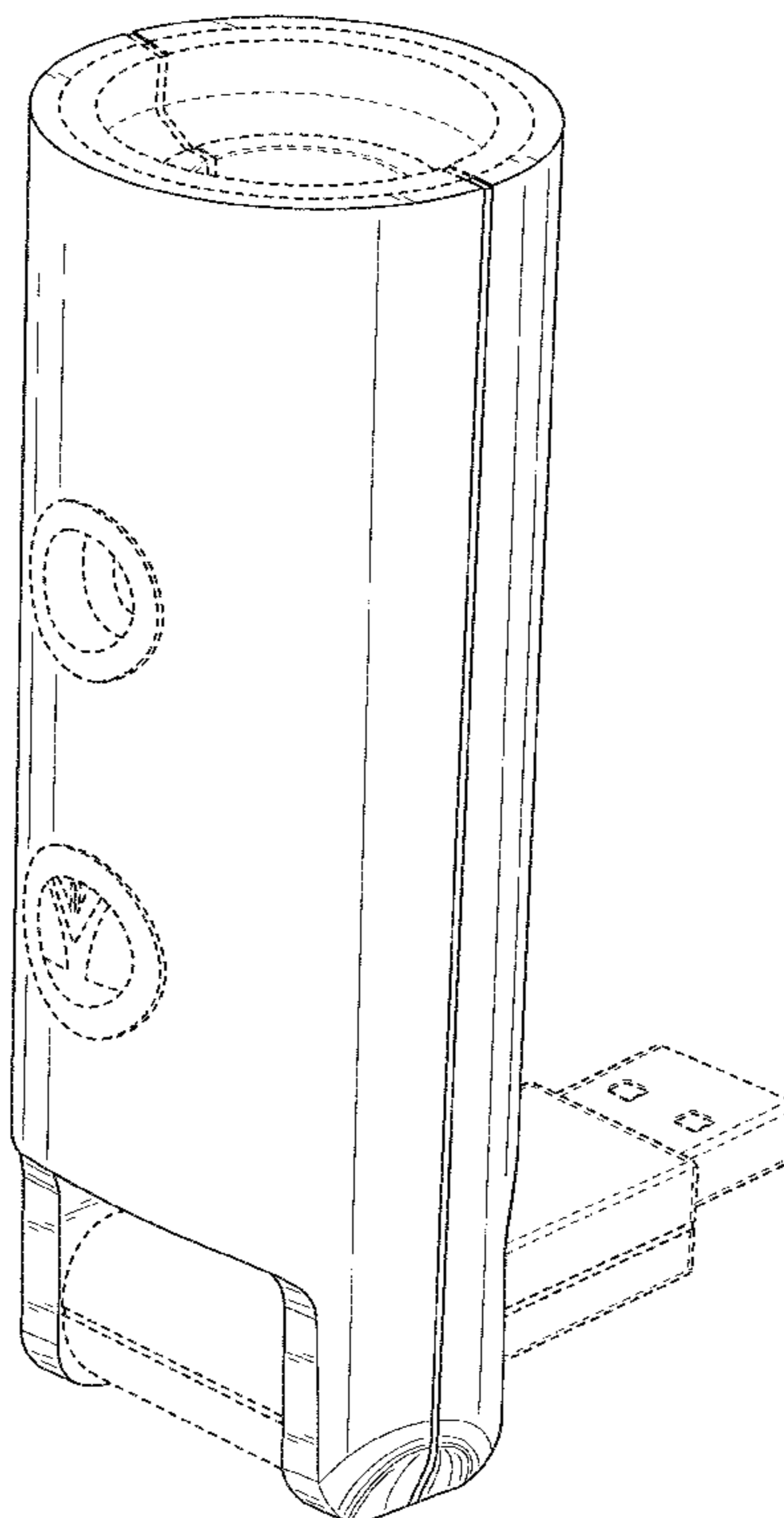
(57) **CLAIM**

I claim the ornamental design for a diffuser, as shown and described.

DESCRIPTION

FIG. 1 is a front view of the diffuser;
FIG. 2 is a rear view of the diffuser;
FIG. 3 is a left side view of the diffuser;
FIG. 4 is a right side view of the diffuser;
FIG. 5 is a top view of the diffuser;
FIG. 6 is a bottom view of the diffuser;
FIG. 7 is a rear top right perspective view of the diffuser;
and,
FIG. 8 is a front top left perspective view of the diffuser.
The broken lines in the FIGURES depict portions of the diffuser that form no part of the claimed design. The unshaded surfaces bounded by broken lines form no part of the claimed design.

1 Claim, 8 Drawing Sheets



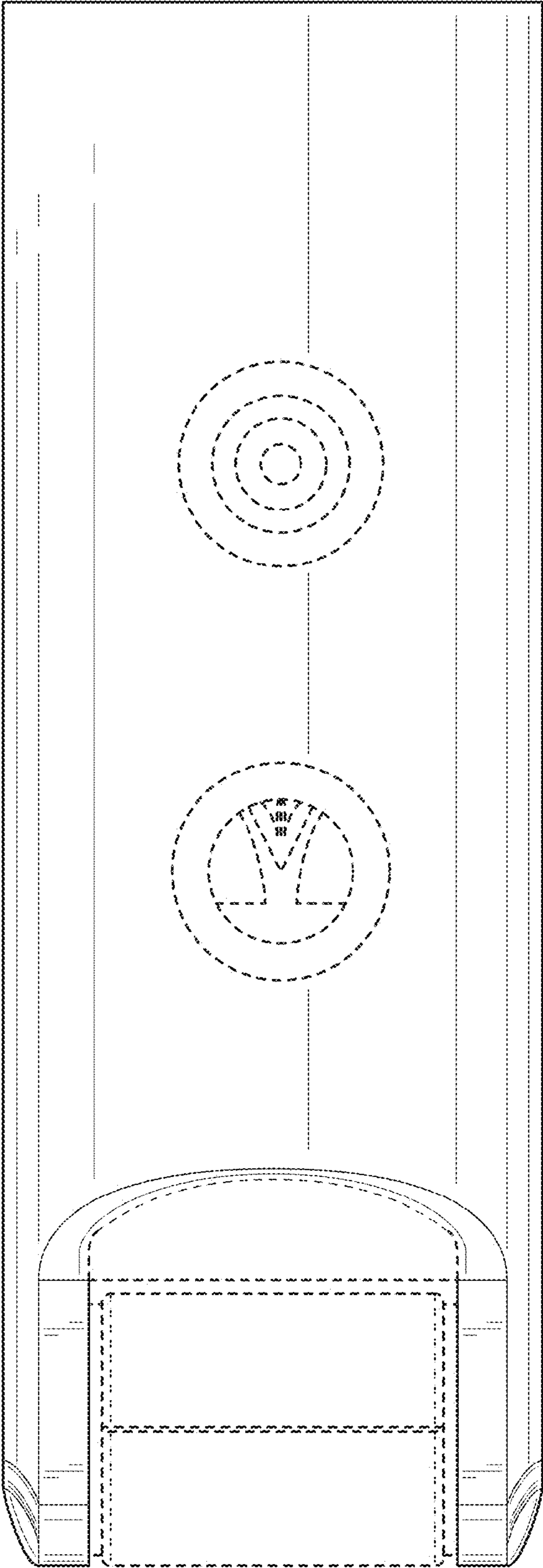


FIG. 1

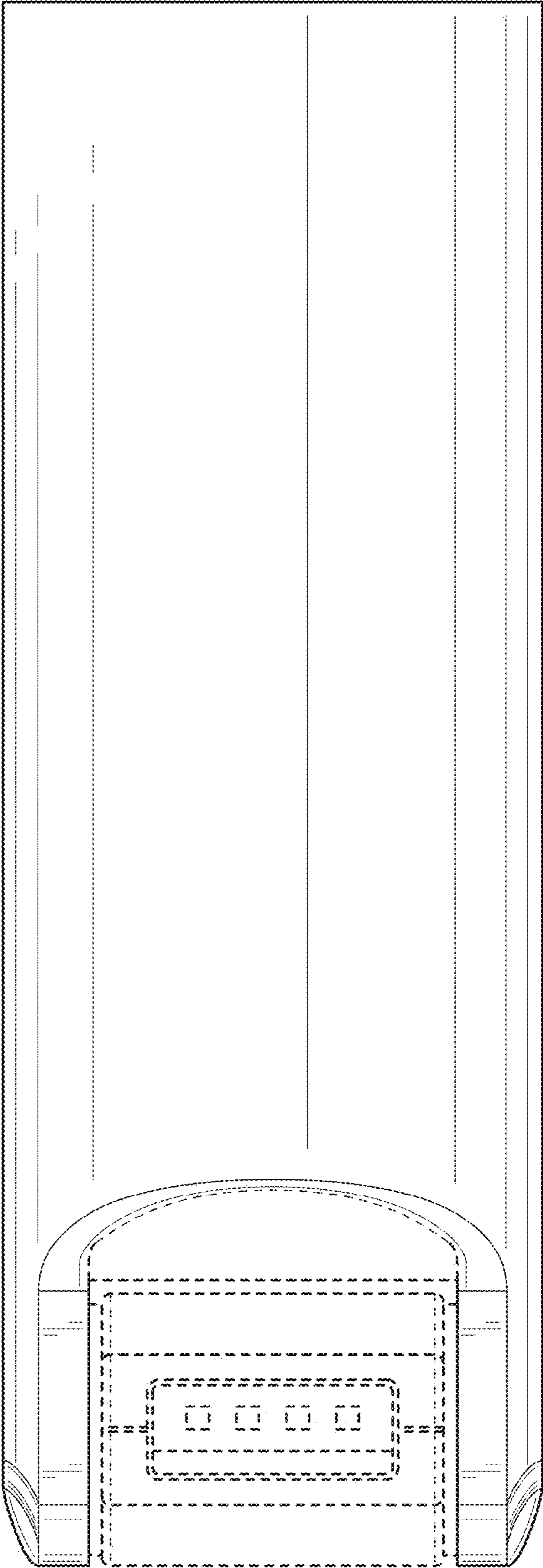


FIG. 2

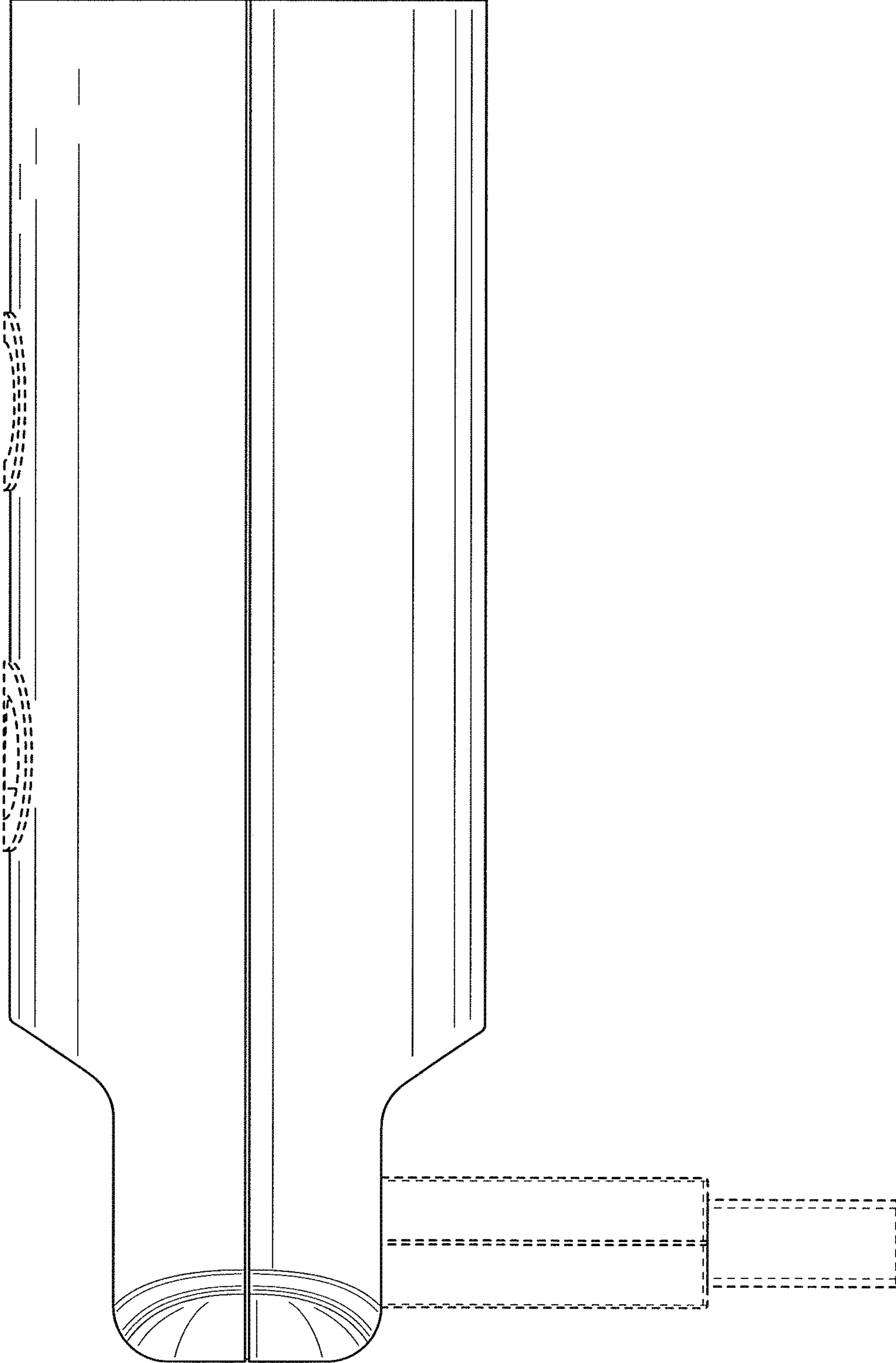


FIG. 3

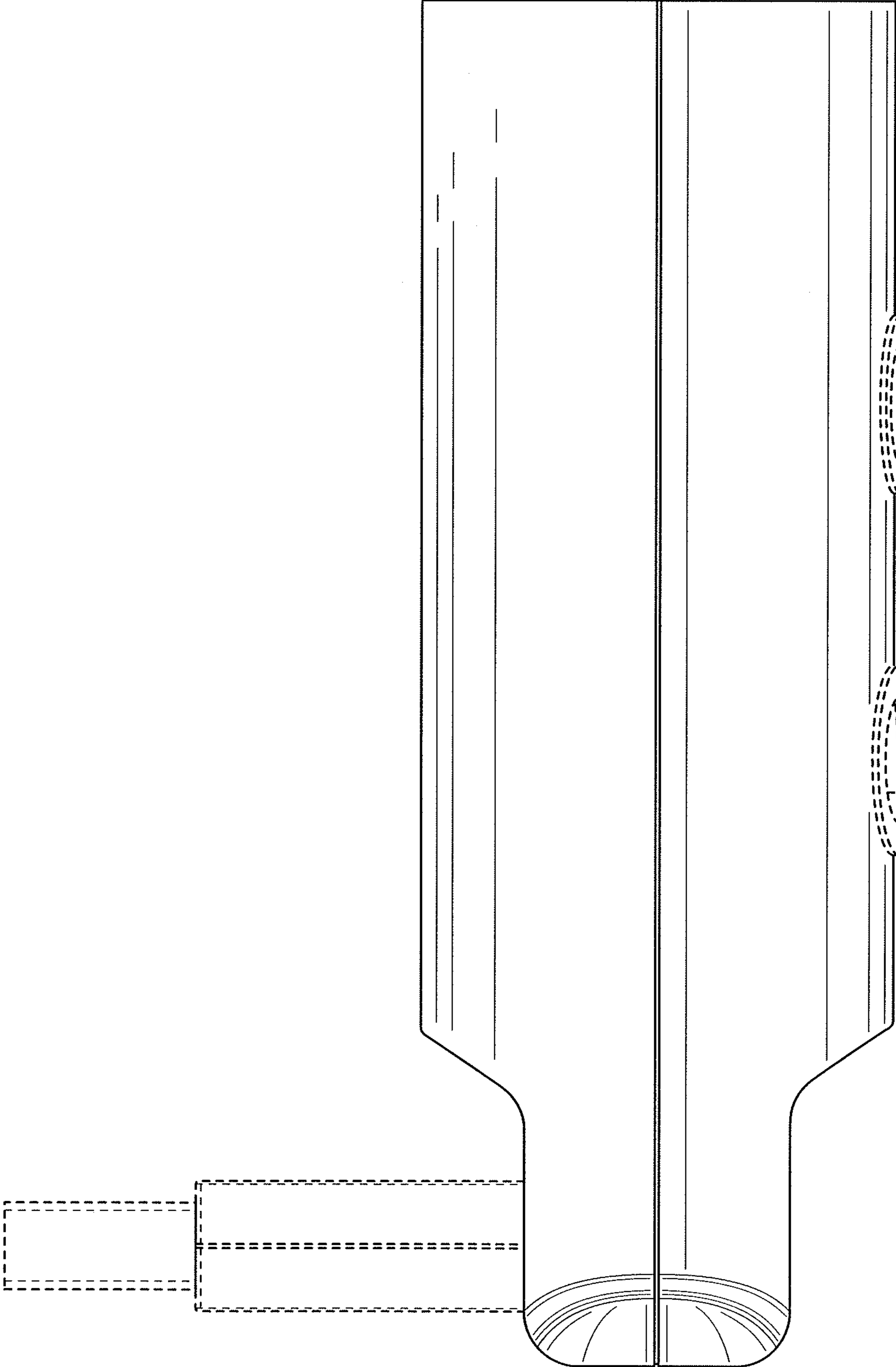


FIG. 4

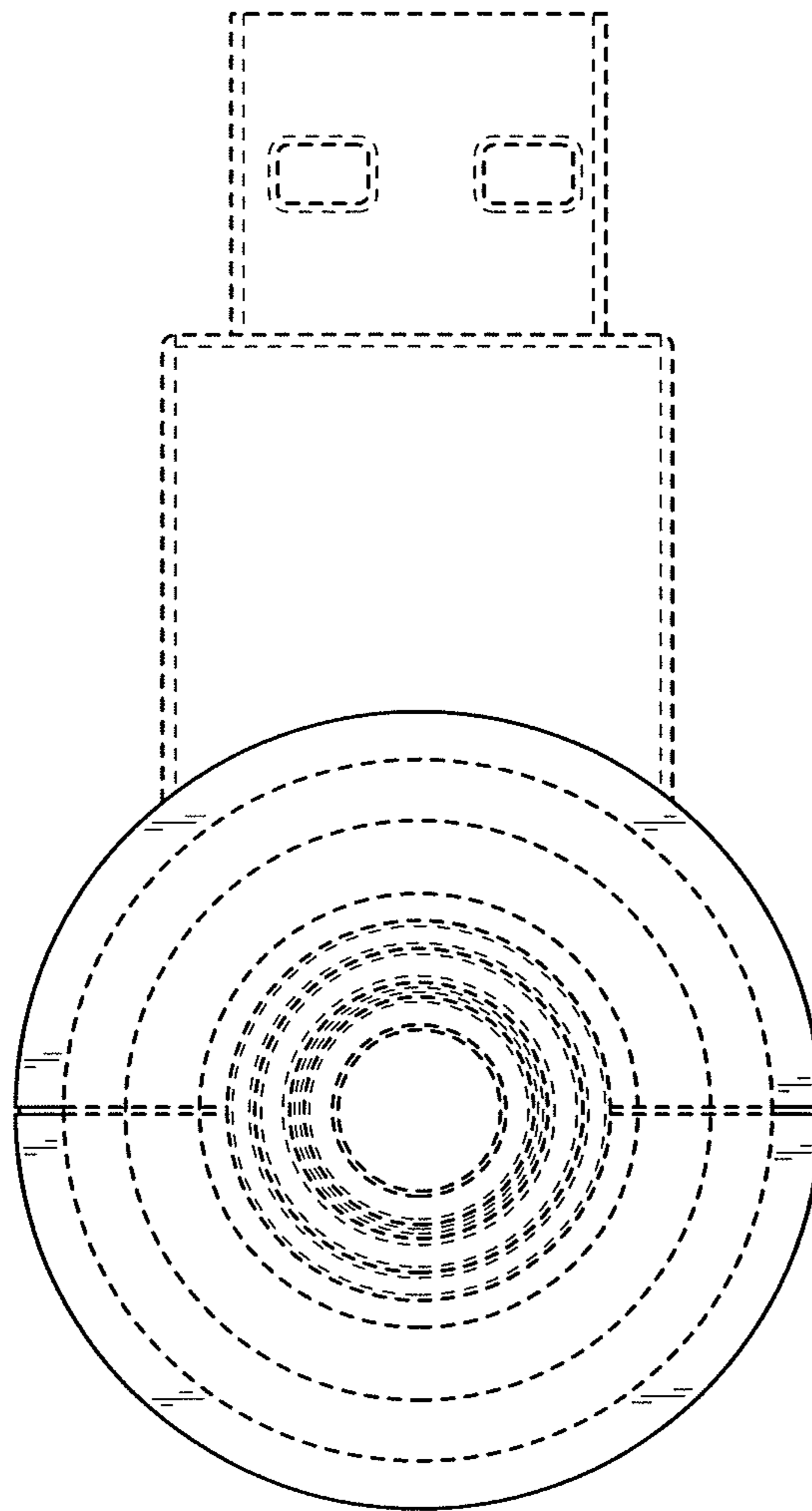


FIG. 5

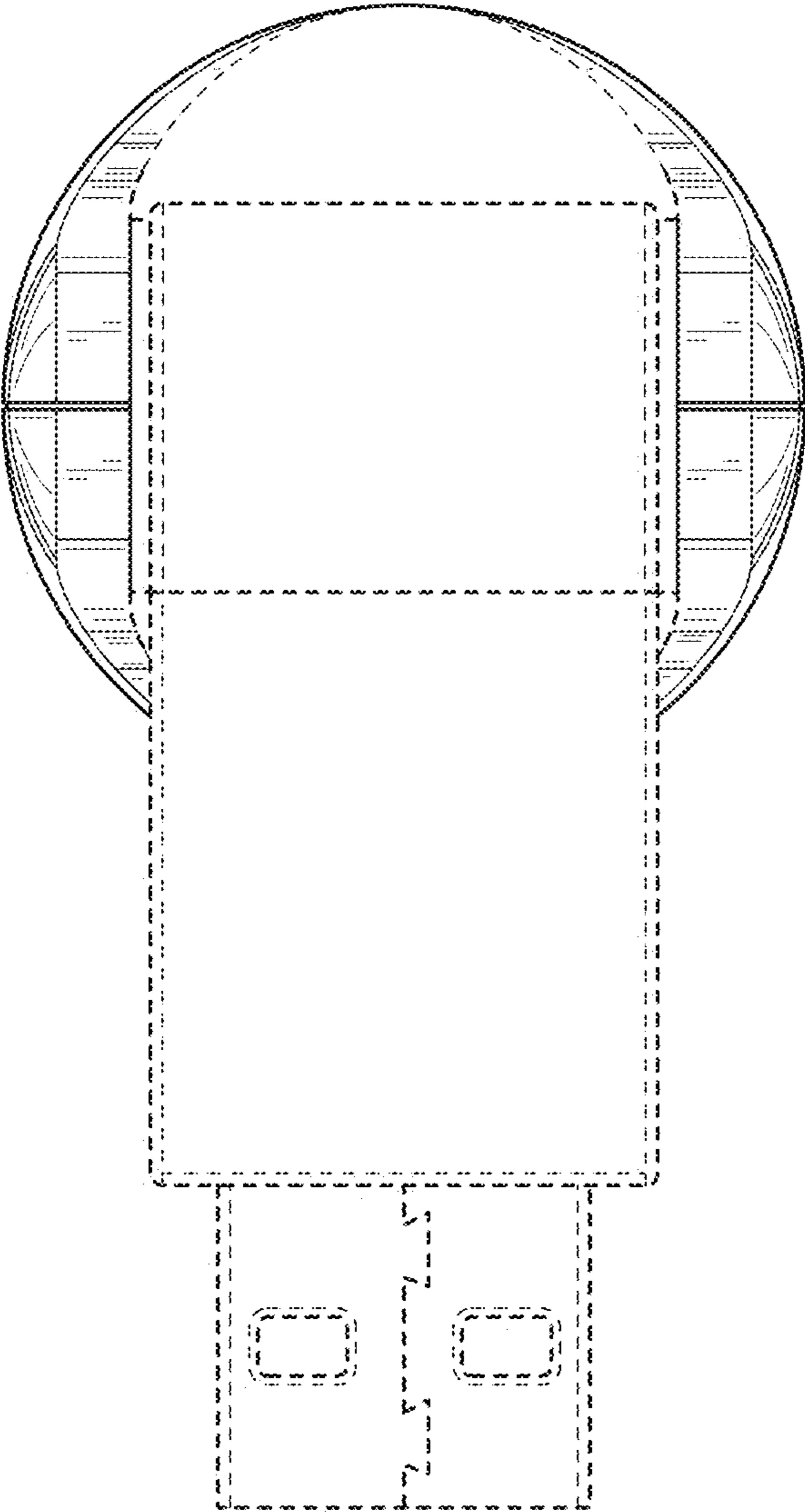


FIG. 6

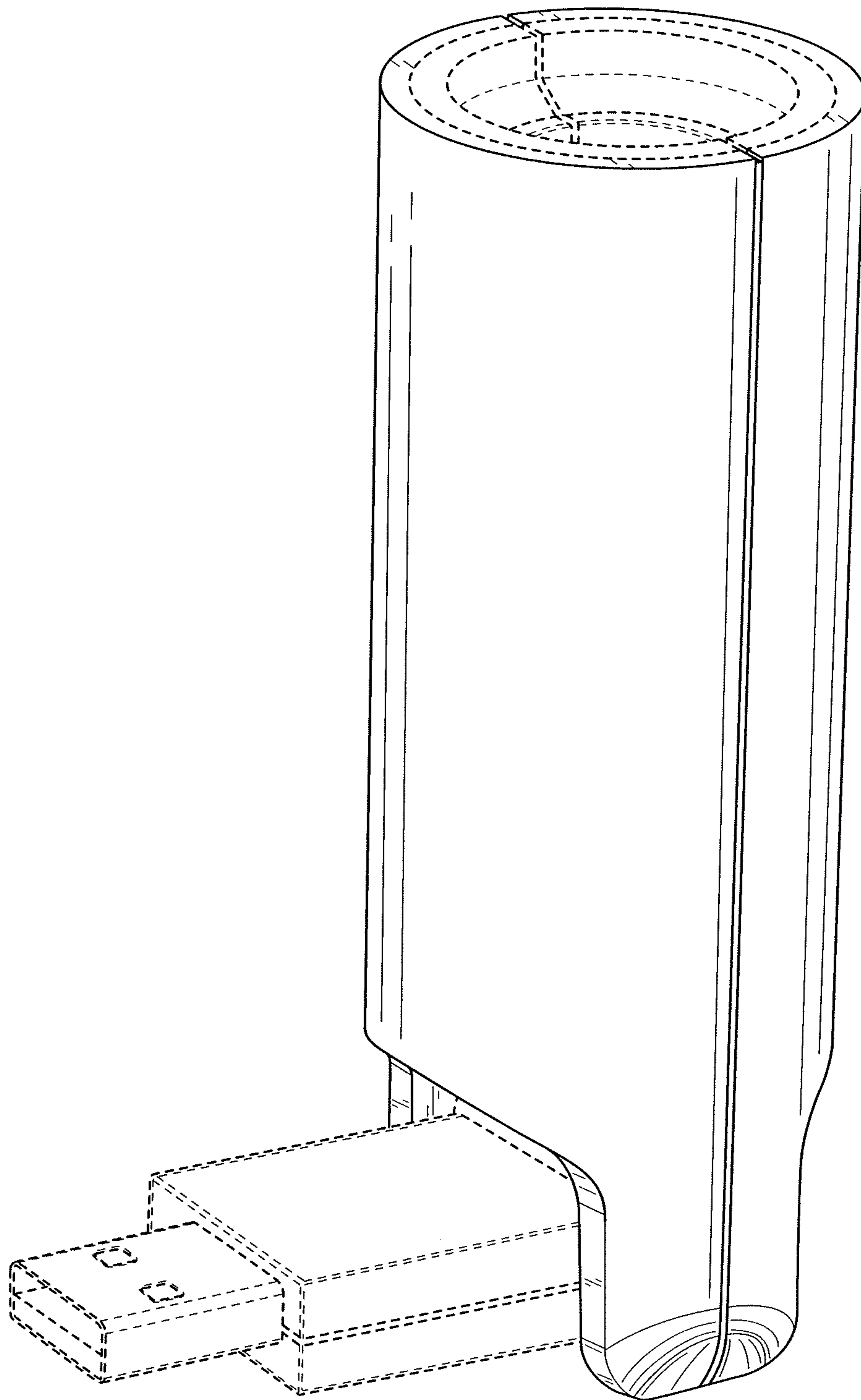


FIG. 7

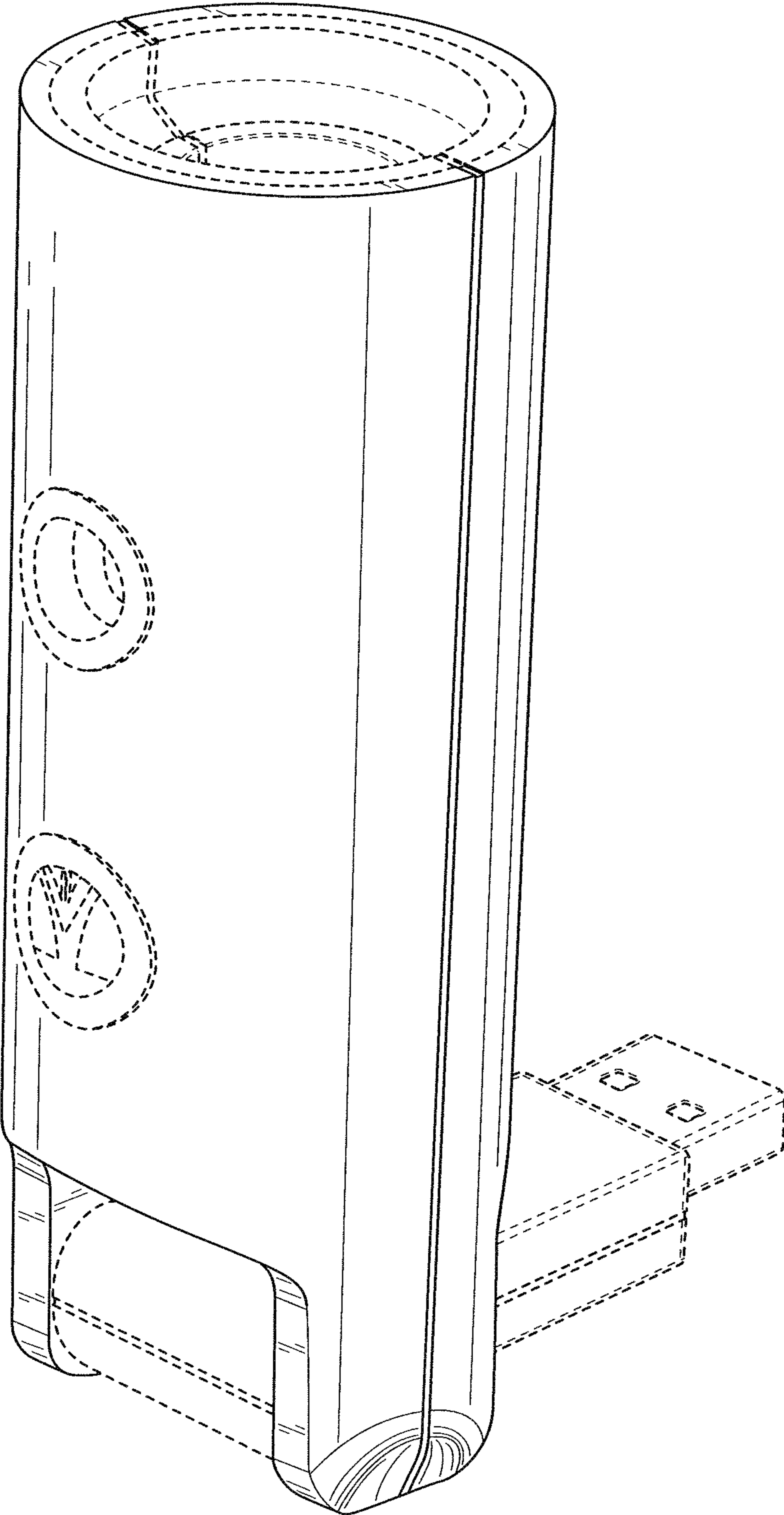


FIG. 8