



US00D884137S

(12) **United States Design Patent**
Mushtaq et al.

(10) **Patent No.:** **US D884,137 S**

(45) **Date of Patent:** **** May 12, 2020**

(54) **AIR FRESHENER**

(71) Applicant: **SAVVY INC.**, Toronto (CA)

(72) Inventors: **Muneeb Muhammad Mushtaq**,
Mississauga (CA); **Nabeel Muhammad
Mushtaq**, Mississauga (CA); **John
Byrad**, Burlington (CA)

(73) Assignee: **Savvy Inc.**, Toronto, Ontario (CA)

(**) Term: **15 Years**

(21) Appl. No.: **29/632,333**

(22) Filed: **Jan. 6, 2018**

(51) **LOC (12) Cl.** **23-99**

(52) **U.S. Cl.**

USPC **D23/366**

(58) **Field of Classification Search**

USPC D23/314, 325, 333-336, 355-369,
D23/386-388; D6/314; D14/209, 215,
D14/216; D9/522, 549, 566; D20/43
CPC . A61L 9/03; A61L 9/012; A61L 9/015; A61L
9/037; F41J 1/01

See application file for complete search history.

(56) **References Cited**

U.S. PATENT DOCUMENTS

3,337,715 A * 8/1967 Finn A61H 33/063
126/344
D242,405 S * 11/1976 Genovese D6/545

D321,930 S * 11/1991 Dinand D23/360
D361,262 S * 8/1995 Lusker D9/561
D436,159 S * 1/2001 Gutmann D23/364
D656,648 S * 3/2012 Tompkin D26/46
D672,233 S * 12/2012 Green D9/431
D728,217 S * 5/2015 Click D3/203.5
D737,250 S * 8/2015 Ingham D14/218
D764,309 S * 8/2016 Yakos D9/682

* cited by examiner

Primary Examiner — Michael C Stout

Assistant Examiner — John A Voytek

(74) *Attorney, Agent, or Firm* — Ridout & Maybee LLP

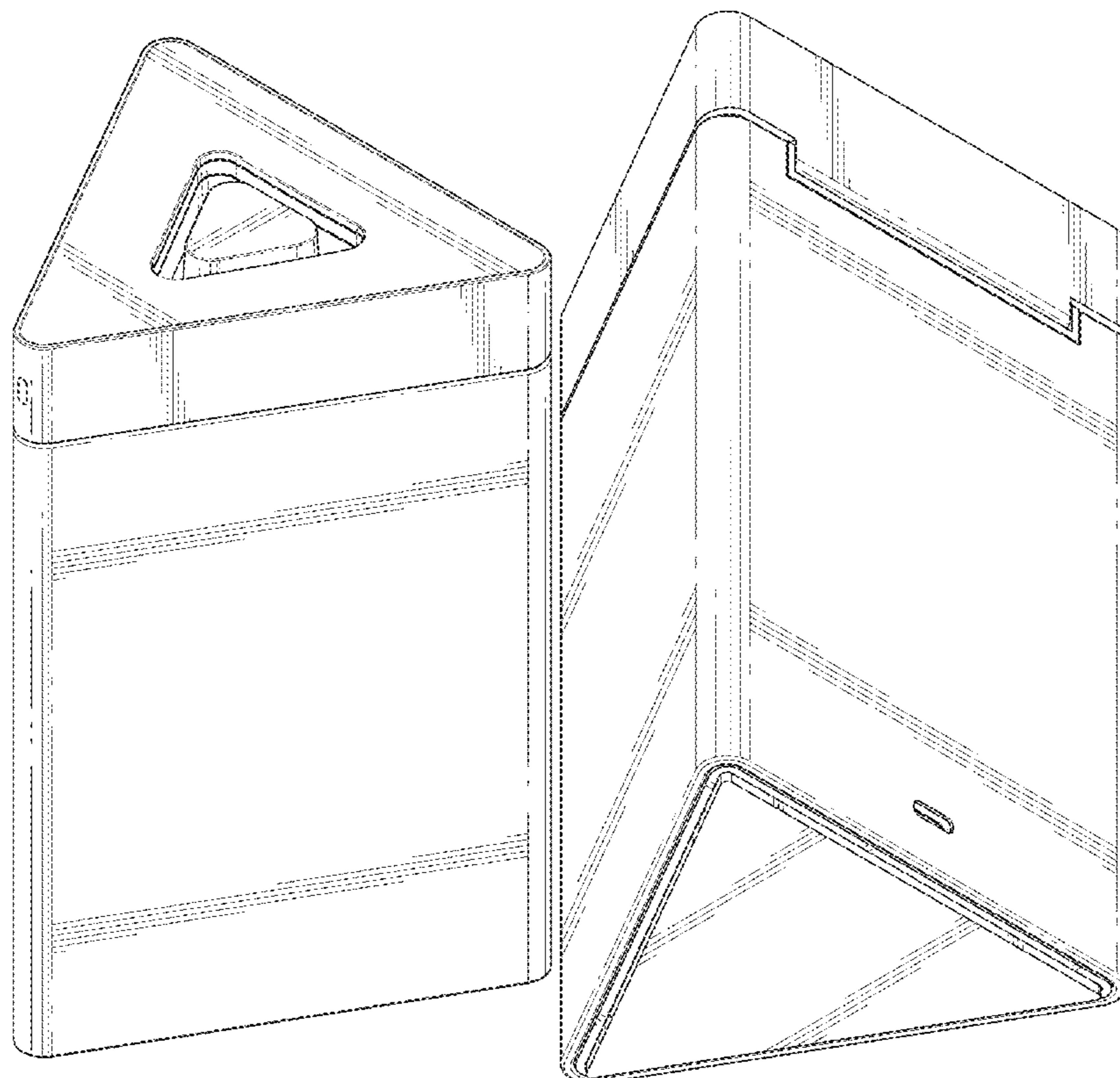
(57) **CLAIM**

The ornamental design for an air freshener, as shown and described.

DESCRIPTION

FIG. 1 is a top elevational view of an air freshener of the claimed design;
FIG. 2 is a bottom elevational view thereof;
FIG. 3 is a first side view thereof;
FIG. 4 is a second side view thereof;
FIG. 5 is a third side view thereof;
FIG. 6 is a fourth side view thereof;
FIG. 7 is a top plan view thereof; and,
FIG. 8 is a bottom view of thereof.
In the drawings, the broken lines depict portions of the air freshener that form no part of the claimed design.

1 Claim, 6 Drawing Sheets



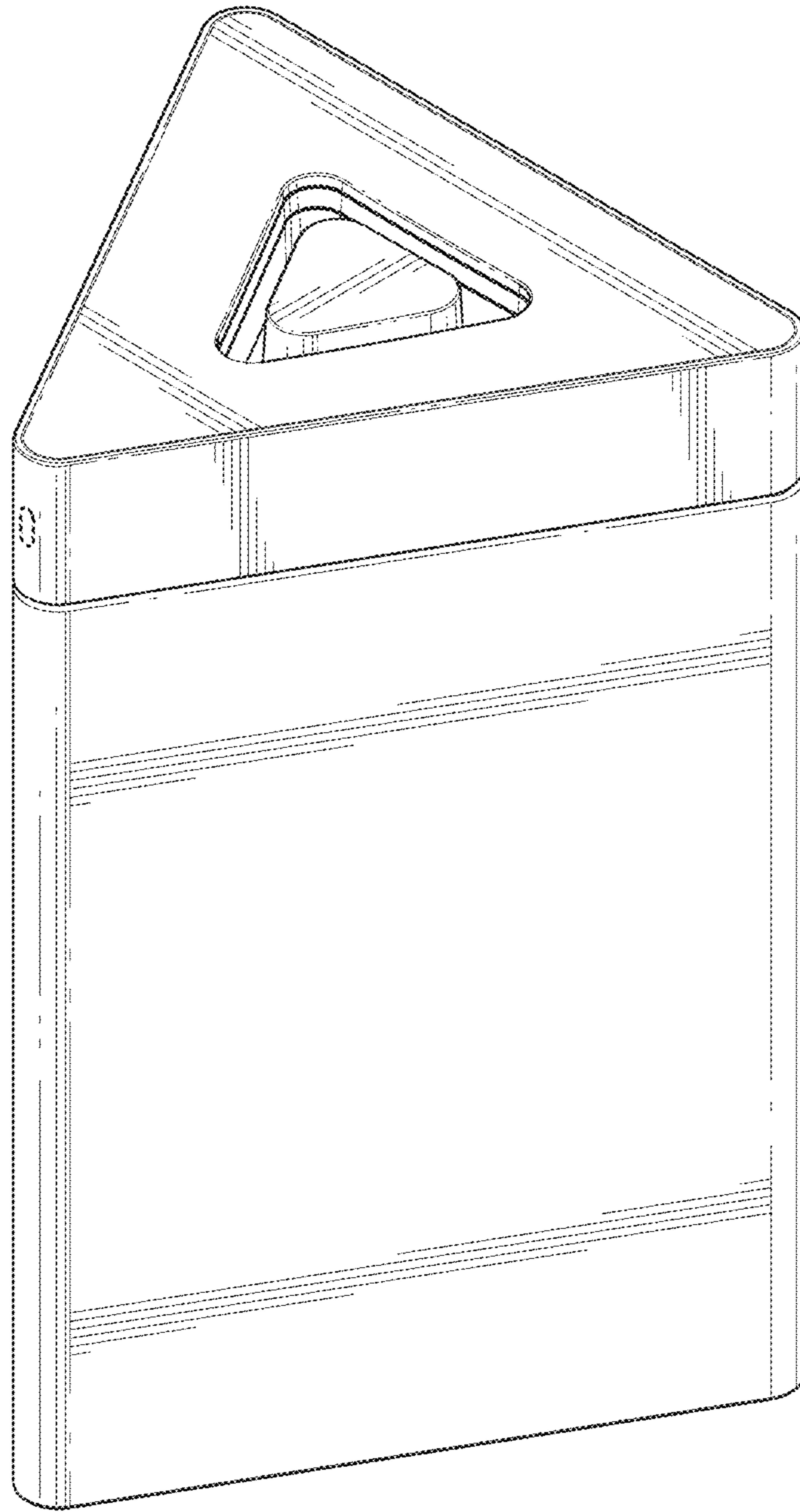


FIG. 1

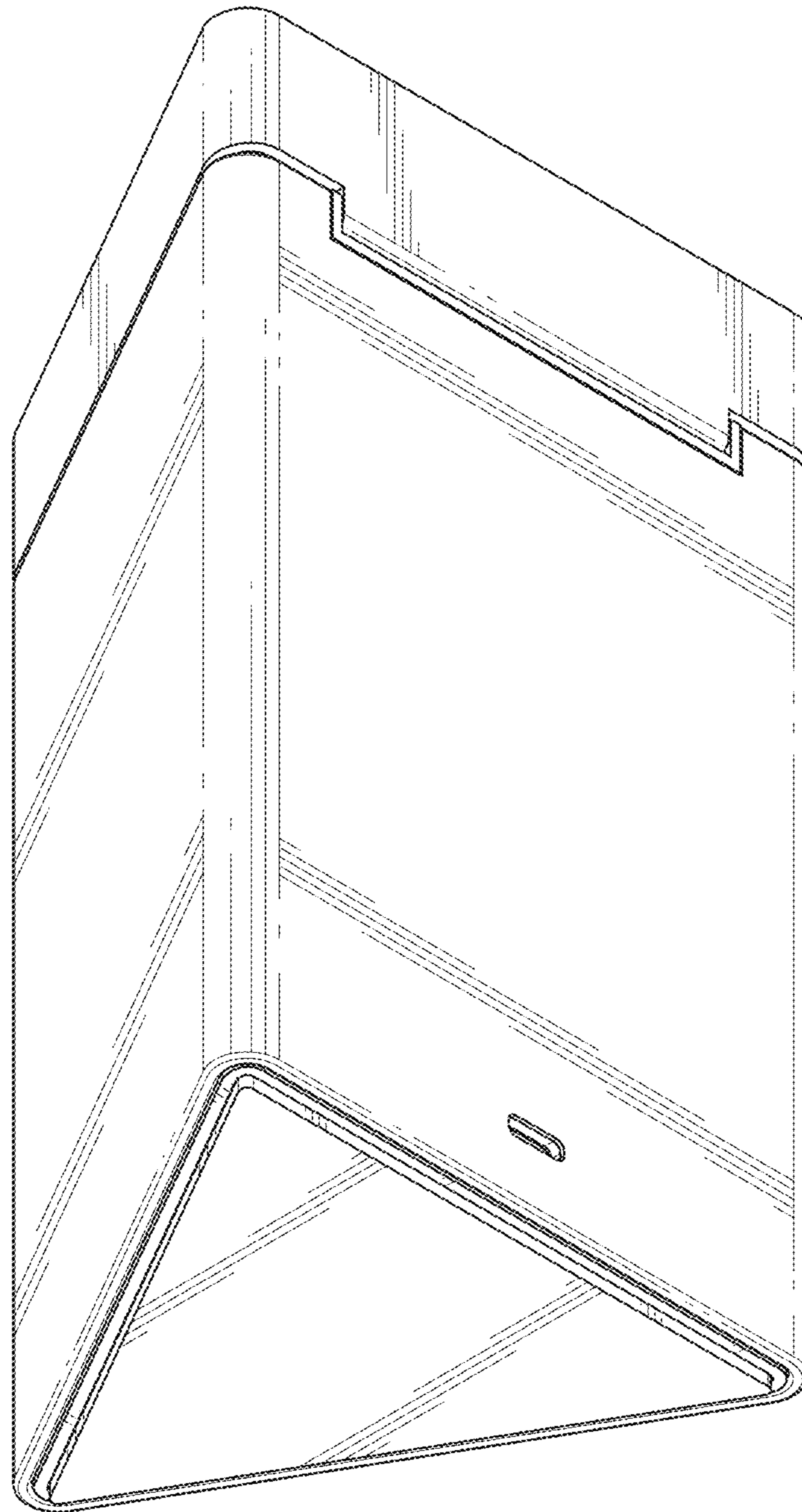


FIG. 2

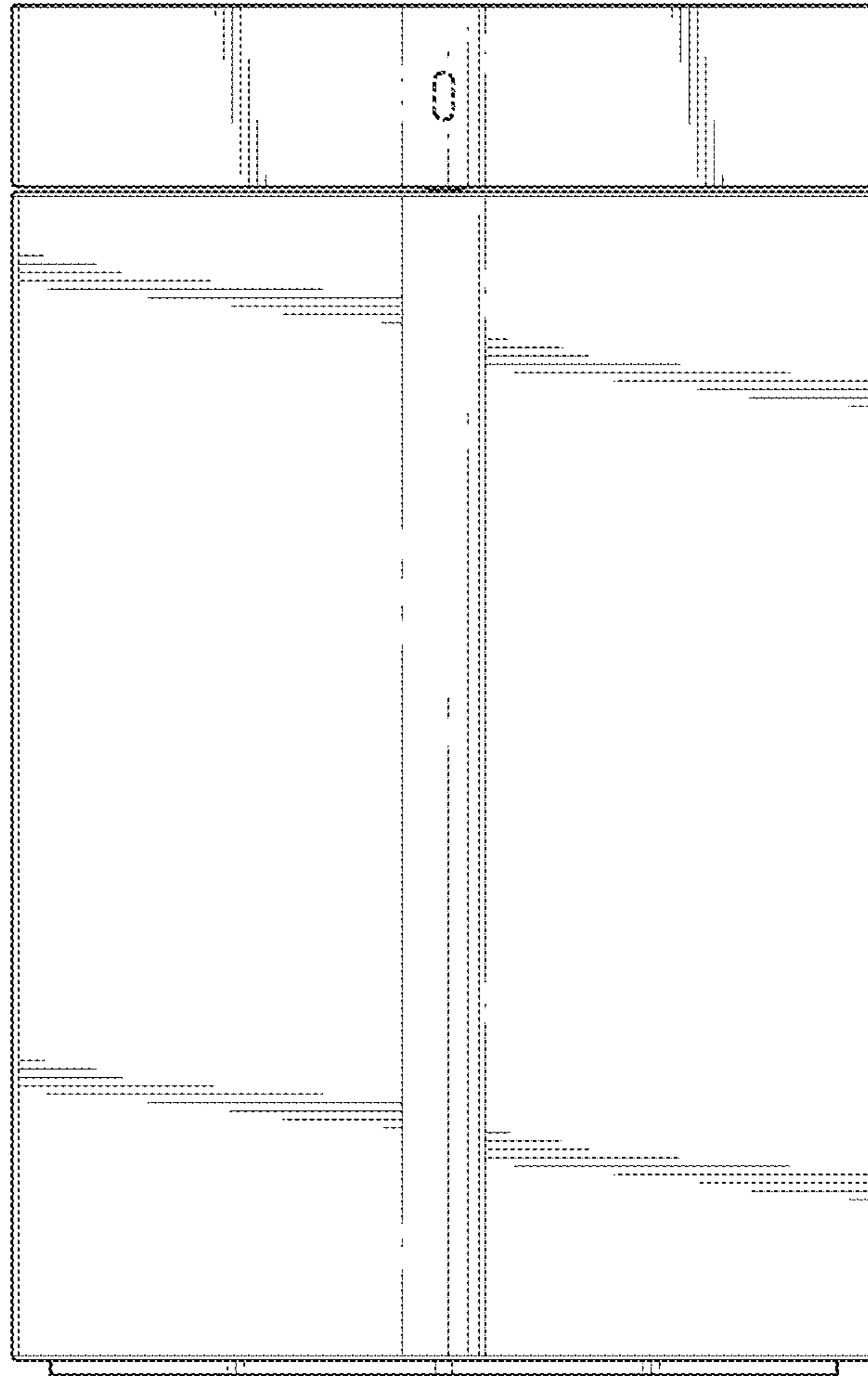


FIG. 3

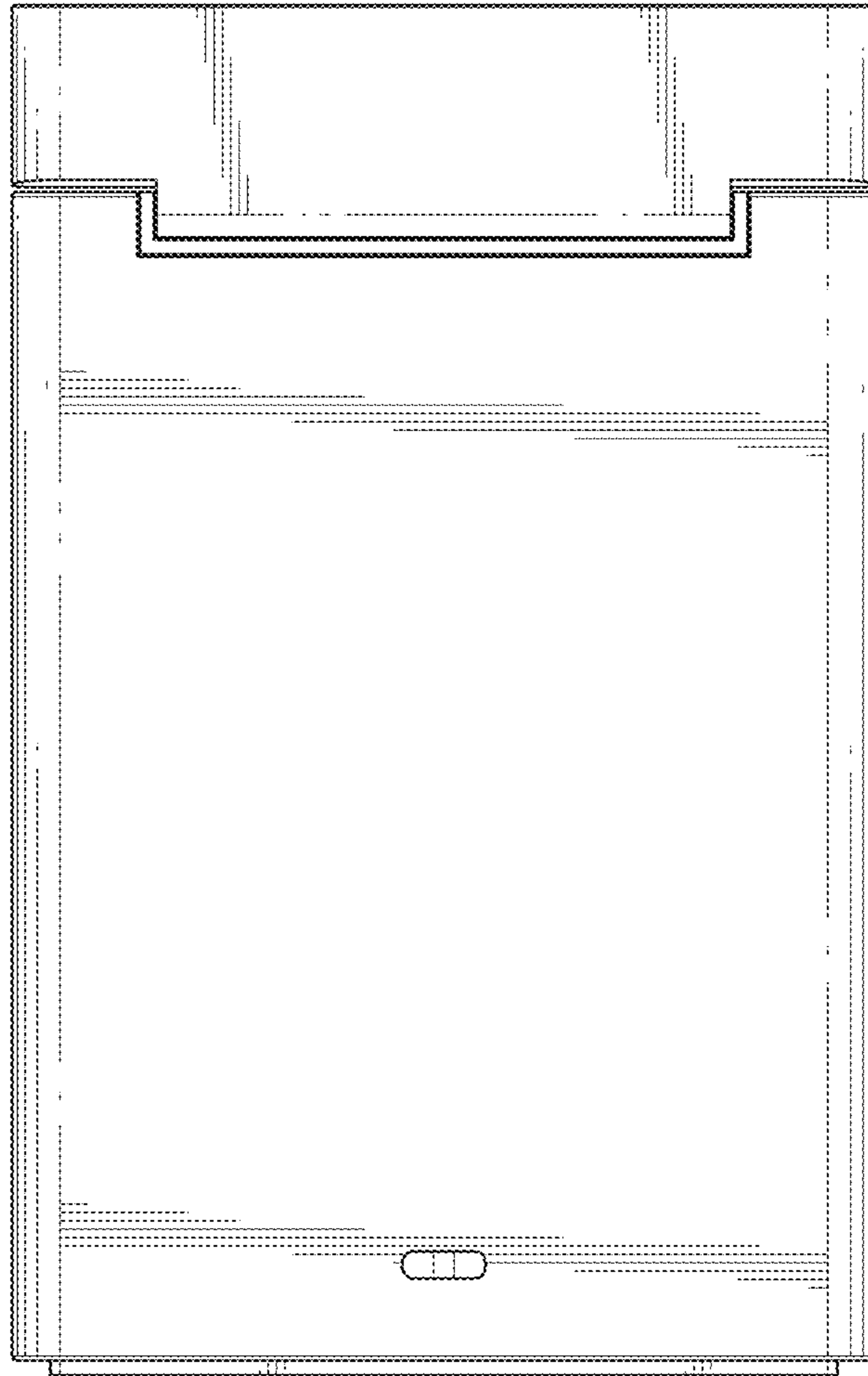


FIG. 4

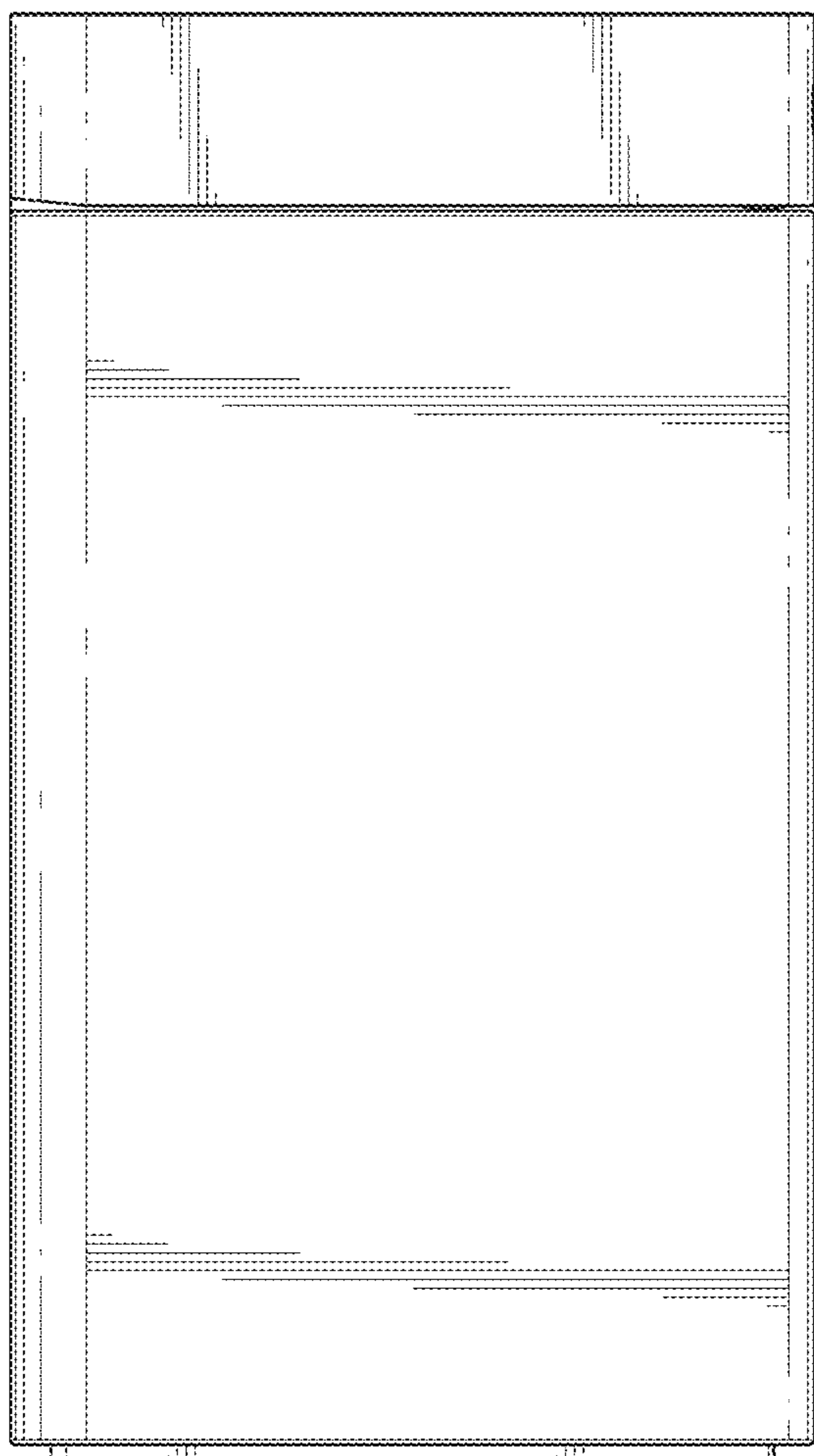


FIG. 5

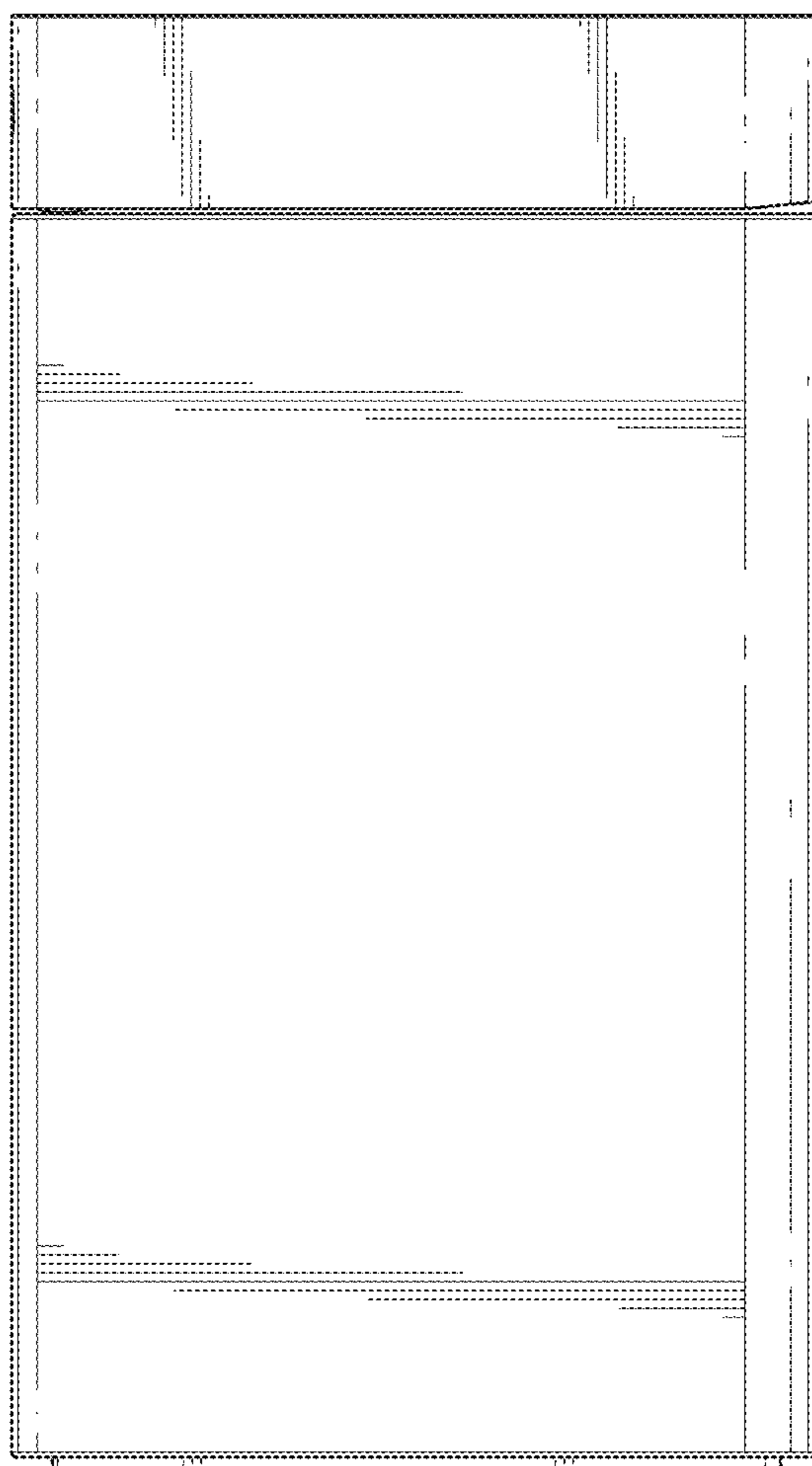


FIG. 6

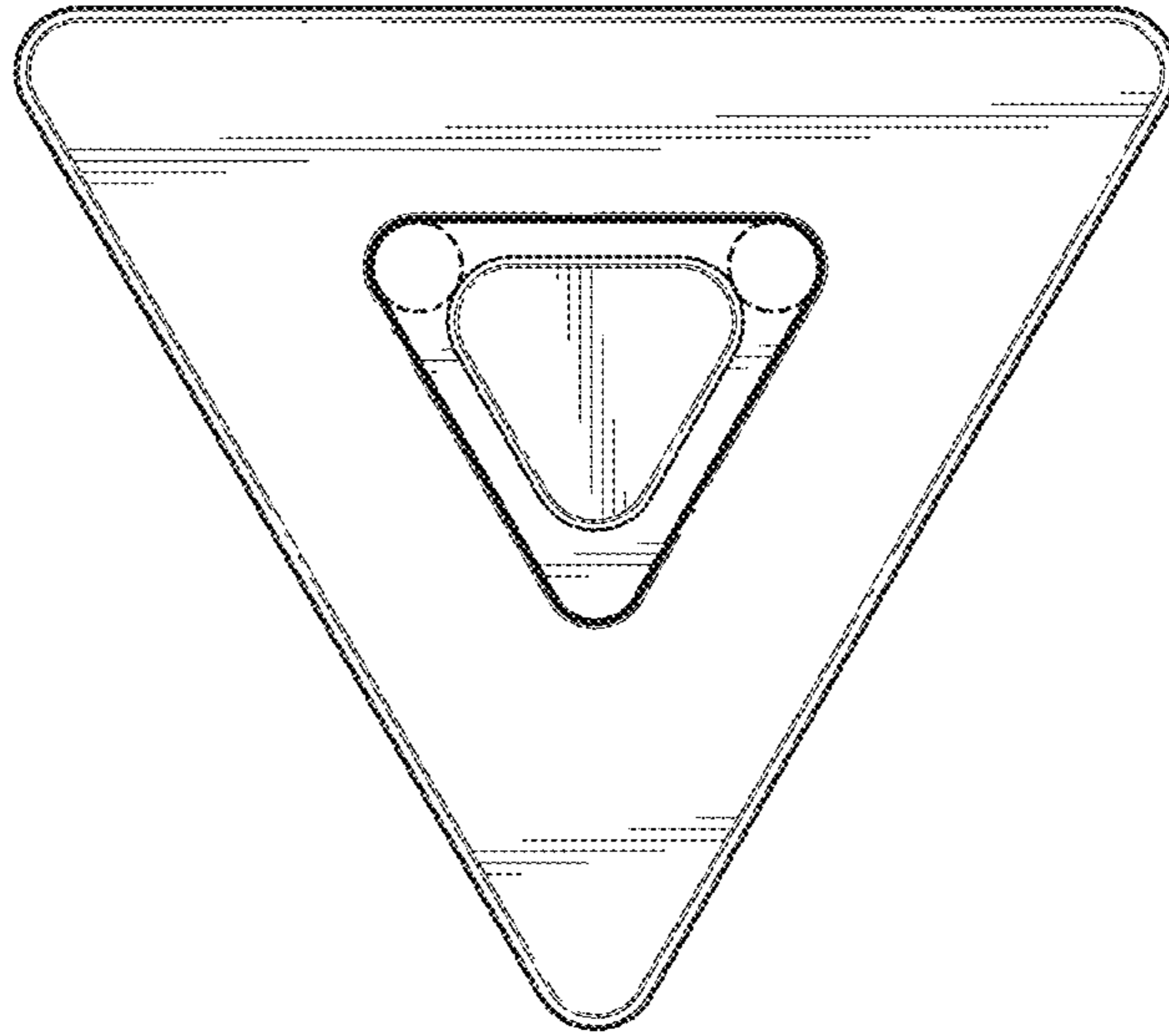


FIG. 7

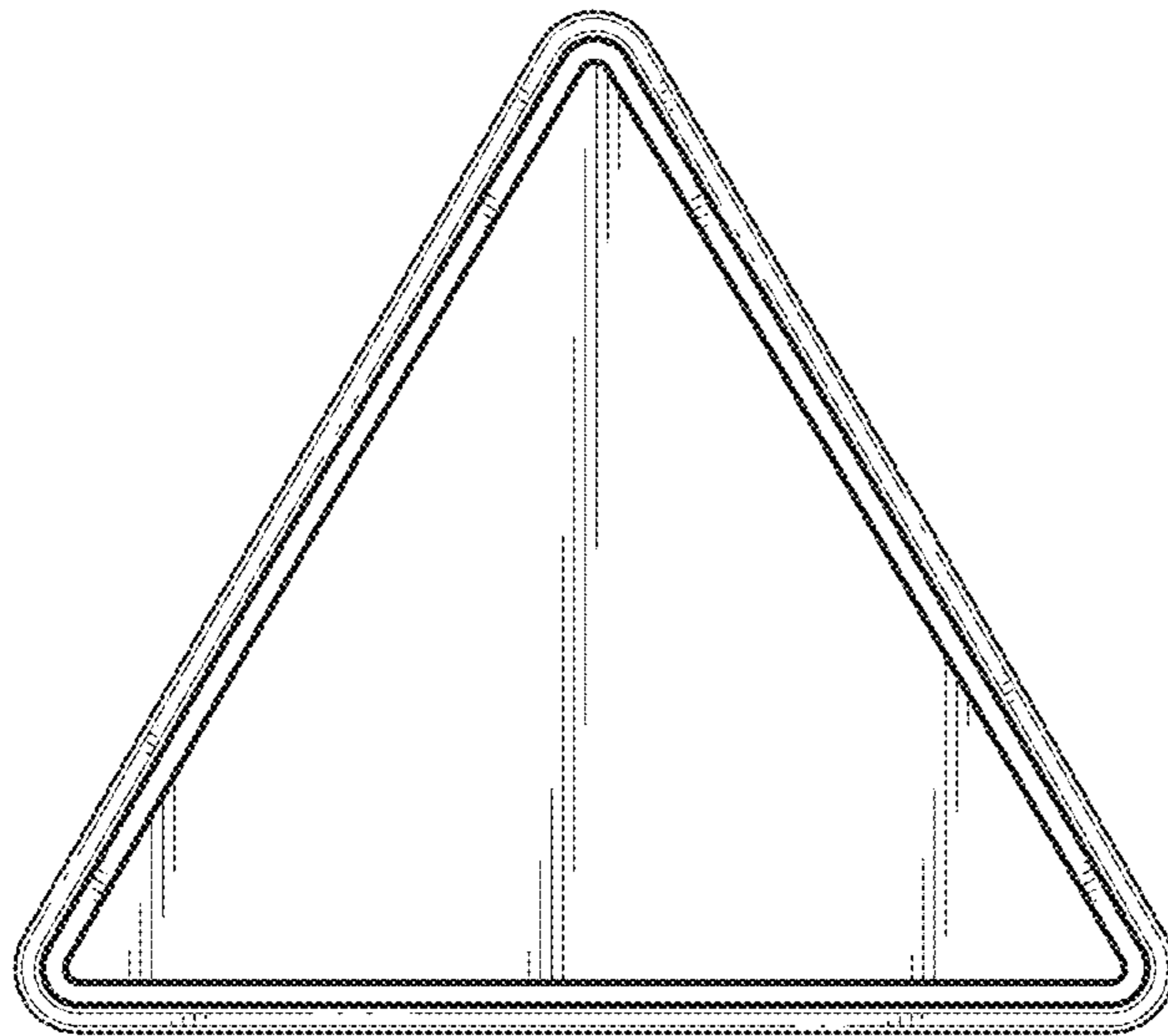


FIG. 8