



US00D884136S

(12) **United States Design Patent** (10) **Patent No.:** **US D884,136 S**
Rubin (45) **Date of Patent:** **** May 12, 2020**

(54) **FREE STANDING AIR FILTRATION BAG**

(71) Applicant: **Eric Rubin**, Oakhurst, NJ (US)

(72) Inventor: **Eric Rubin**, Oakhurst, NJ (US)

(**) Term: **15 Years**

(21) Appl. No.: **29/691,952**

(22) Filed: **May 21, 2019**

(51) **LOC (12) Cl.** **23-01**

(52) **U.S. Cl.**
USPC **D23/365**

(58) **Field of Classification Search**
USPC D23/365, 366; D9/417, 431, 702-709,
D9/720, 721; D21/698; D3/201, 205,
D3/223, 254, 303; D28/5; D32/30
CPC F02M 35/04; F02M 35/10; F02M 35/024;
B01D 46/0002; B01D 46/10; B65D
31/00; B65D 33/00; A45C 1/00; A45C
3/00; A45C 2/003
See application file for complete search history.

(56) **References Cited**

U.S. PATENT DOCUMENTS

- 1,489,807 A * 4/1924 Anderson B65D 85/808
206/0.5
- D121,228 S 6/1940 Garry
- D132,935 S 6/1942 Vivaudou
- D158,620 S 5/1950 Share
- 2,864,462 A * 12/1958 Brace A47L 9/1481
55/367
- 3,176,450 A * 4/1965 Weinstein A47L 9/1454
55/367
- 3,615,712 A * 10/1971 Keller B65D 81/3415
426/113
- D239,253 S * 3/1976 Tiep D9/707
- 4,743,123 A * 5/1988 Legters B26F 1/31
383/103
- 4,905,898 A 3/1990 Wade
- 5,090,975 A * 2/1992 Requejo A47L 9/14
134/21

- 5,788,061 A 8/1998 Hammond
 - D426,294 S 6/2000 Trudeau
 - 6,071,322 A * 6/2000 Hulthen A47L 9/1436
15/347
 - 6,132,780 A * 10/2000 Archibald B65D 33/005
383/103
 - D440,296 S 4/2001 Wolpert
 - D451,795 S * 12/2001 Ghatlia D28/8.1
 - D504,622 S * 5/2005 Takahashi D9/707
 - D517,187 S 3/2006 Wu
 - D519,846 S * 5/2006 Bouroullec D9/697
- (Continued)

OTHER PUBLICATIONS

Top 10 Best Charcoal Air Purifying Bags Reviewed in 2019 [Jul. 2, 2019] found online [Jul. 2, 2019]—<https://www.pinterest.com/pin/268597565263565927/>.*

(Continued)

Primary Examiner — Brandon M Rosati
Assistant Examiner — John A Voytek
(74) *Attorney, Agent, or Firm* — Goldstein Law Offices, P.C.

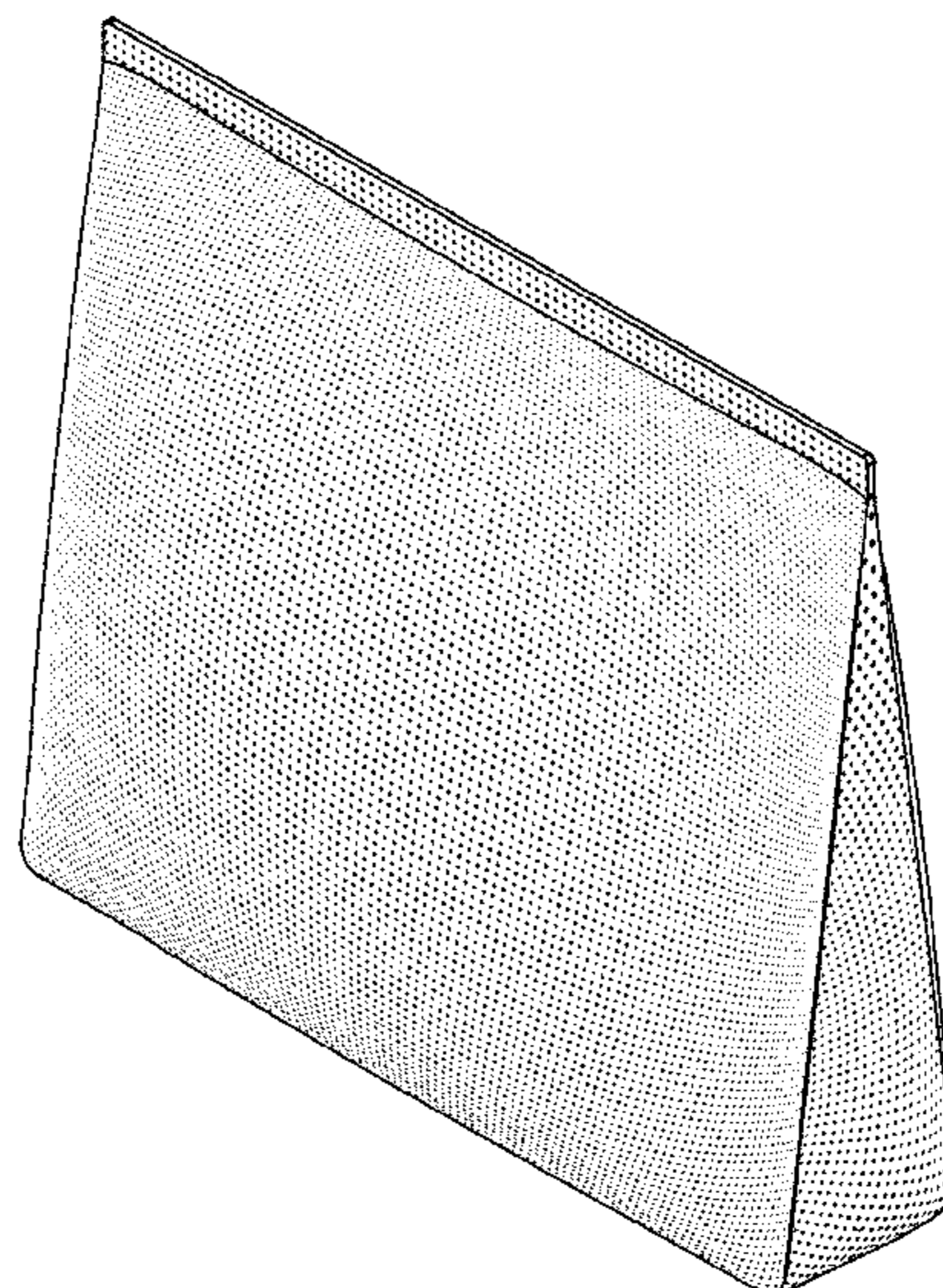
(57) **CLAIM**

The ornamental design for a free standing air filtration bag, as shown and described.

DESCRIPTION

FIG. 1 is a perspective view of the free standing air filtration bag.
FIG. 2 is a top plan view of the free standing air filtration bag.
FIG. 3 is a bottom plan view thereof.
FIG. 4 is a front elevational view thereof.
FIG. 5 is a rear elevational view thereof.
FIG. 6 is a left side elevational view thereof; and,
FIG. 7 is a right side elevational view thereof.

1 Claim, 4 Drawing Sheets



(56)

References Cited

U.S. PATENT DOCUMENTS

D555,830 S 11/2007 Dubois
 D559,098 S * 1/2008 Wilbur D9/417
 D584,165 S * 1/2009 Kerr D9/705
 D590,271 S * 4/2009 Alvarado D9/703
 D592,074 S * 5/2009 Johnson D9/707
 D597,832 S * 8/2009 Bischoff D9/431
 D617,064 S * 6/2010 Hengvoss D32/30
 D618,302 S * 6/2010 Williams D23/209
 8,047,360 B2 * 11/2011 Rea B65D 85/808
 206/0.5
 D687,717 S * 8/2013 Ewart D9/707
 D690,196 S * 9/2013 Kessler, Jr. D9/431
 D715,158 S * 10/2014 Chen D9/707
 D779,972 S * 2/2017 Yu D9/709
 D782,821 S * 4/2017 Fiorello D3/301
 D814,188 S * 4/2018 Bell D3/301
 D828,763 S * 9/2018 Tan D9/705
 D843,225 S * 3/2019 Kilduff D9/709
 2002/0147090 A1 * 10/2002 Kuge B65D 31/10
 493/162
 2007/0110340 A1 * 5/2007 Buchman B65D 33/20
 383/5

2011/0064338 A1 * 3/2011 Surdziel B65D 75/008
 383/207
 2014/0212068 A1 * 7/2014 Yu B65D 75/008
 383/7
 2014/0305883 A1 * 10/2014 Julian B01D 29/13
 210/767
 2015/0021408 A1 * 1/2015 Matthews A61L 9/127
 239/34
 2017/0246549 A1 8/2017 Zhu
 2018/0099064 A1 4/2018 Burns
 2018/0229914 A1 * 8/2018 Bahrami A45C 13/103
 2019/0023478 A1 * 1/2019 Varriano-Marston
 B65D 81/3461

OTHER PUBLICATIONS

Three grommet strap filter bag reference [Jul. 2, 2019] found online [Jul. 2, 2019]—http://www.maddocksgroup.com/specify_a_filter_bag.php?id=filter_bags_and_media.*
 Cell Biosciences microperforated filter bag [Jul. 2, 2019] found online [Jul. 2, 2019]—<https://www.cellbiosciences.com.au/pages/Interscience/BagPage-microperforated-filter.html>.*

* cited by examiner

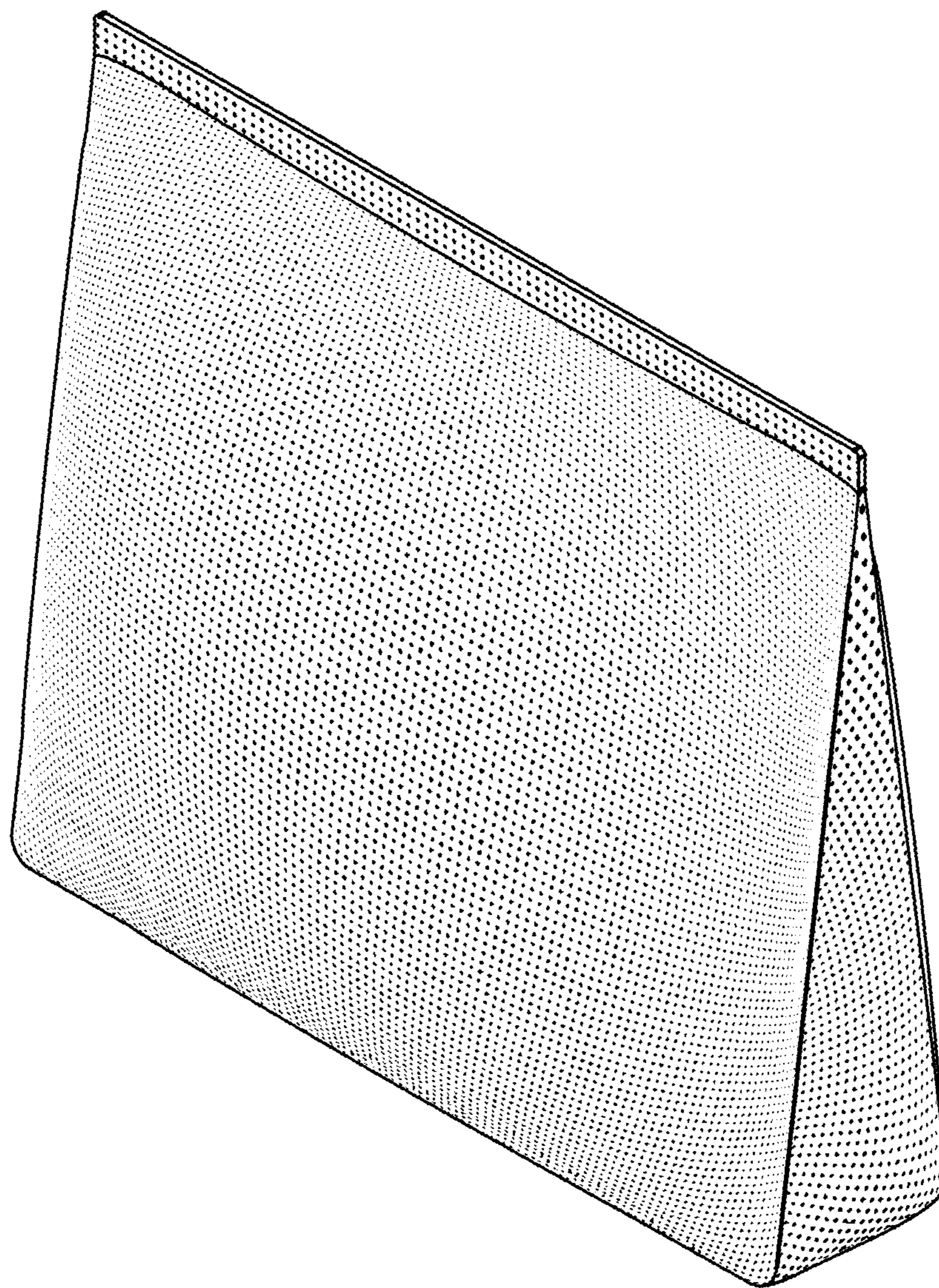


FIG. 1

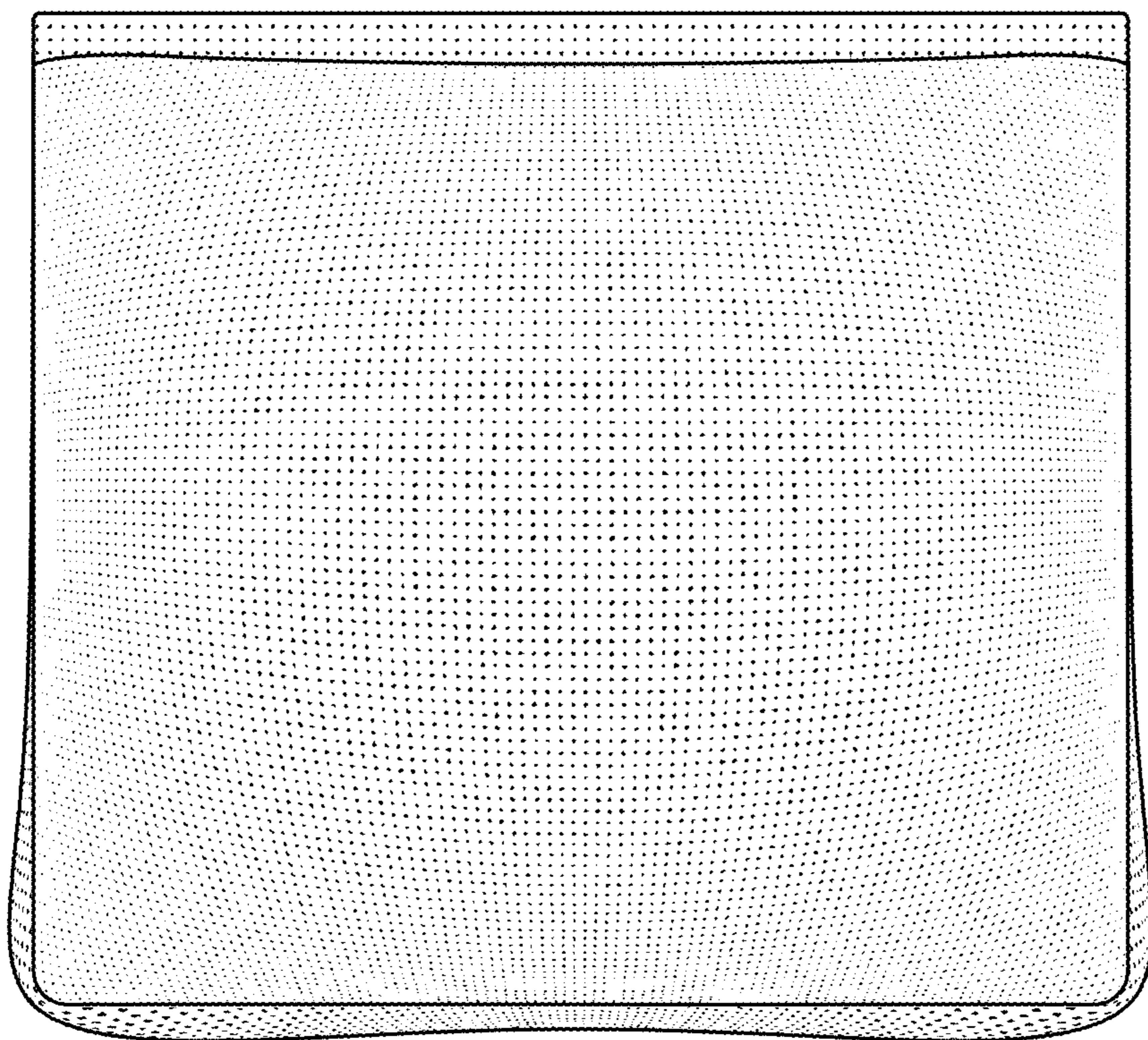


FIG. 2

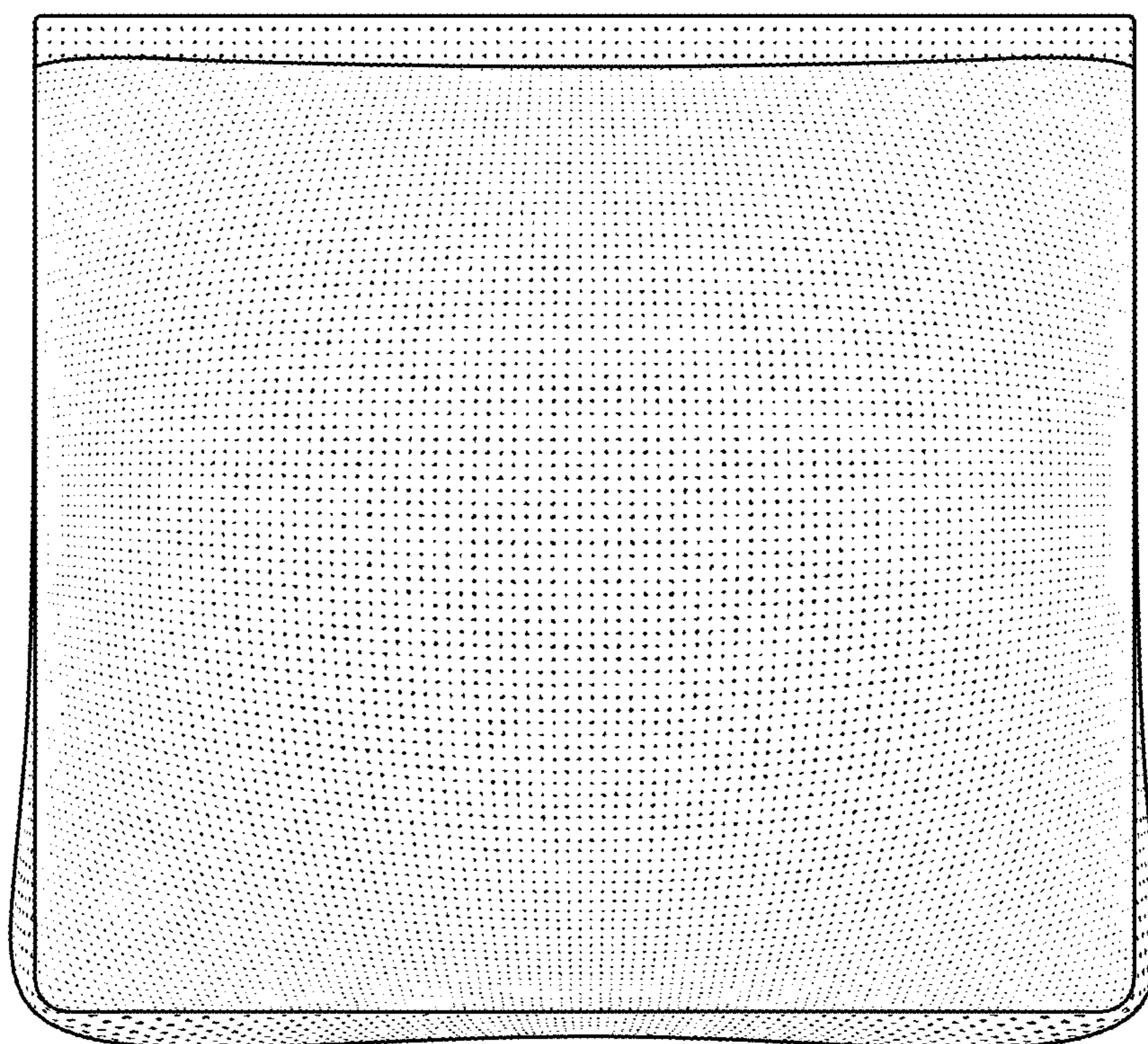


FIG. 3

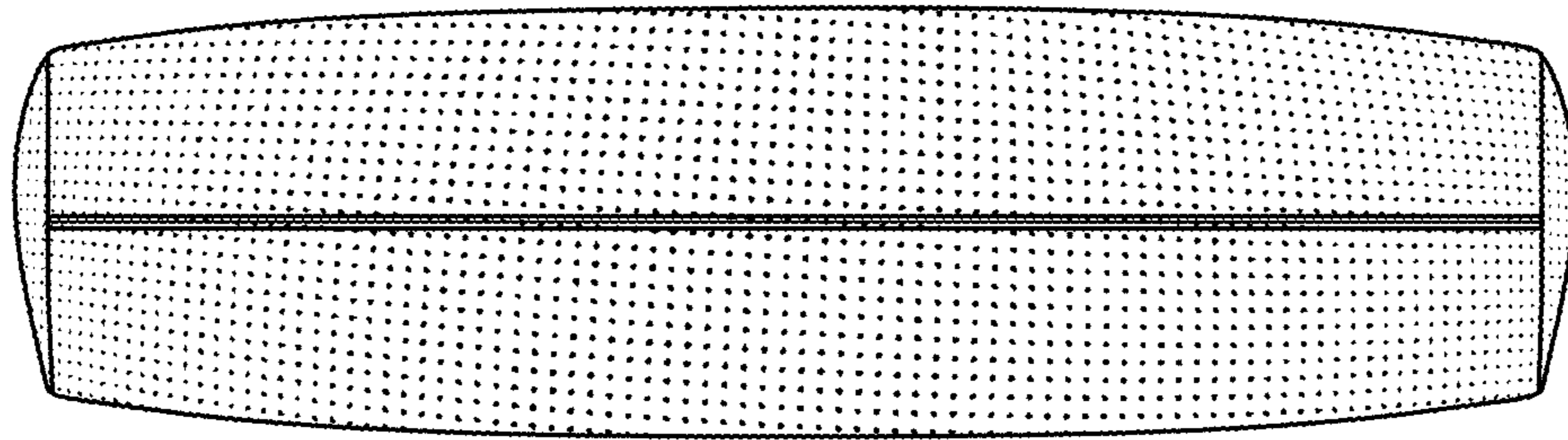


FIG. 4

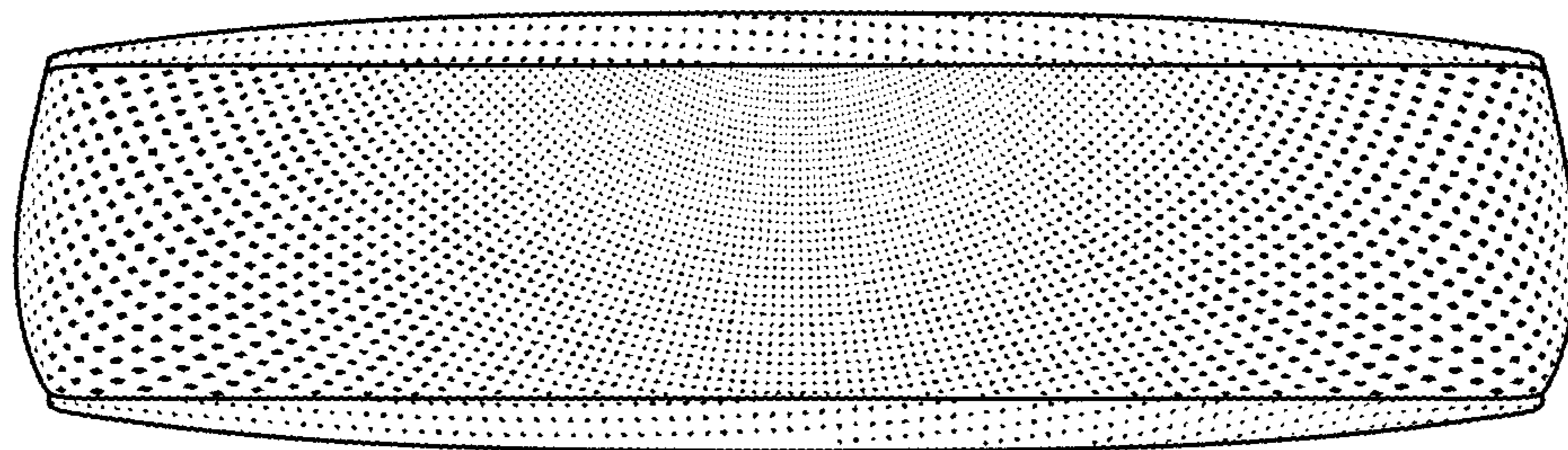


FIG. 5

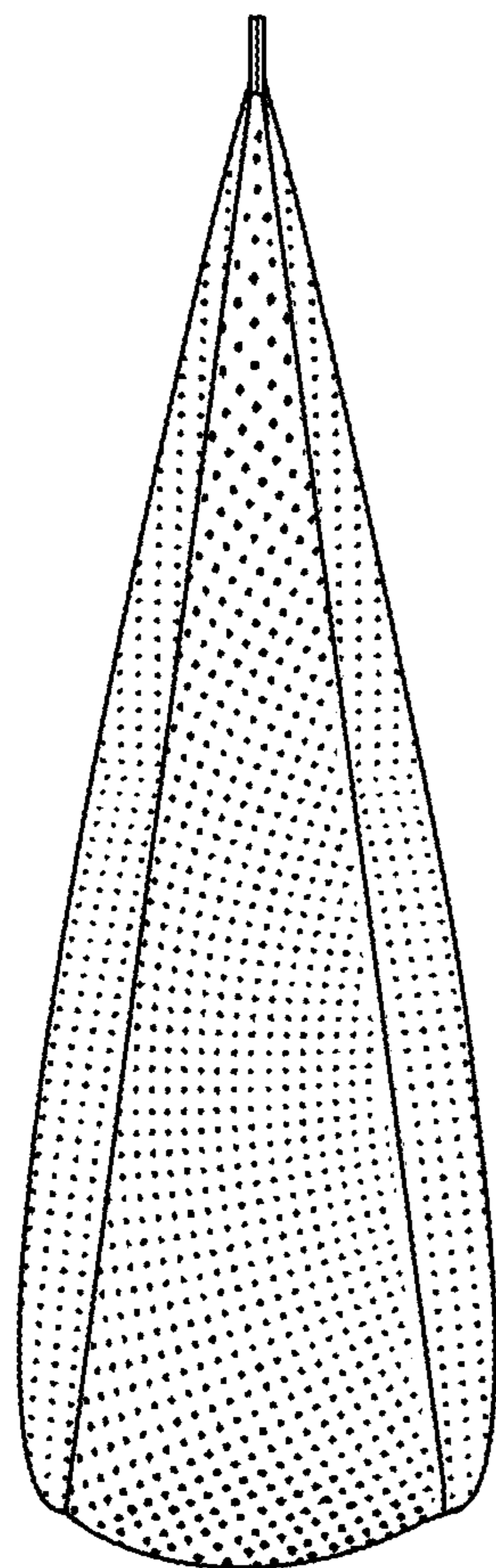


FIG. 6

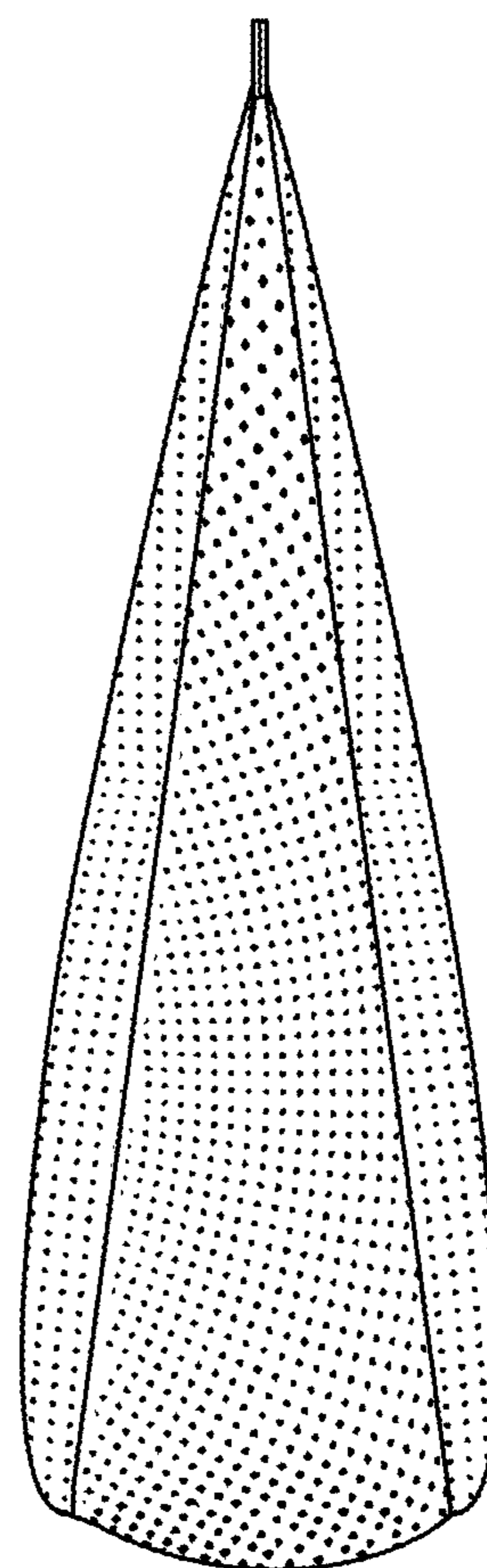


FIG. 7