



US00D884134S

(12) **United States Design Patent**
Shin et al.

(10) **Patent No.:** **US D884,134 S**
(45) **Date of Patent:** **** May 12, 2020**

(54) **AIR PURIFIER**

(57) **CLAIM**

(71) Applicant: **Samsung Electronics Co., Ltd.**,
Suwon-si (KR)

We claim the ornamental design for an air purifier, as shown and described.

(72) Inventors: **Young-Sun Shin**, Seoul (KR);
Kang-Doo Kim, Seoul (KR);
Dong-Hyuk Uim, Seoul (KR)

DESCRIPTION

(73) Assignee: **Samsung Electronics Co., Ltd.**,
Suwon-si (KR)

FIG. 1 is a front perspective view of an air purifier showing our new design according to our first embodiment;

(**) Term: **15 Years**

FIG. 2 is a front view thereof;

(21) Appl. No.: **29/655,386**

FIG. 3 is a rear view thereof;

(22) Filed: **Jul. 3, 2018**

FIG. 4 is a left-side view thereof;

(30) **Foreign Application Priority Data**

FIG. 5 is a right-side view thereof;

Jan. 4, 2018 (KR) 30-2018-0000753

FIG. 6 is a top view thereof;

Jan. 4, 2018 (KR) 30-2018-0000754

FIG. 7 is a bottom view thereof;

(51) **LOC (12) Cl.** **23-04**

FIG. 8 is an enlarged view of the encircled portion in FIG. 1;

(52) **U.S. Cl.**

FIG. 9 is an enlarged view of the encircled portion in FIG. 4;

USPC **D23/364**

FIG. 10 is an enlarged view of the encircled portion in FIG. 4;

(58) **Field of Classification Search**

USPC D23/355–366, 352, 369, 332, 333, 335,
D23/336, 342, 351; 422/120, 122;

FIG. 11 is another perspective view of the air purifier shown in an alternate position;

(Continued)

FIG. 12 is a front perspective view of an air purifier showing our new design according to our second embodiment;

(56) **References Cited**

U.S. PATENT DOCUMENTS

FIG. 13 is a front view thereof;

6,321,034 B2 * 11/2001 Jones-Lawlor F04D 25/105
392/367

FIG. 14 is a rear view thereof;

D733,273 S * 6/2015 Jeon D23/333
(Continued)

FIG. 15 is a left-side view thereof;

FOREIGN PATENT DOCUMENTS

EM 002440313-0002 4/2014
EM 003009539-0015 3/2016

FIG. 16 is a right-side view thereof;

(Continued)

FIG. 17 is a top view thereof;

Primary Examiner — David G Muller

FIG. 18 is a bottom view thereof;

(74) *Attorney, Agent, or Firm* — NSIP Law

FIG. 19 is an enlarged view of the encircled portion in FIG. 12;

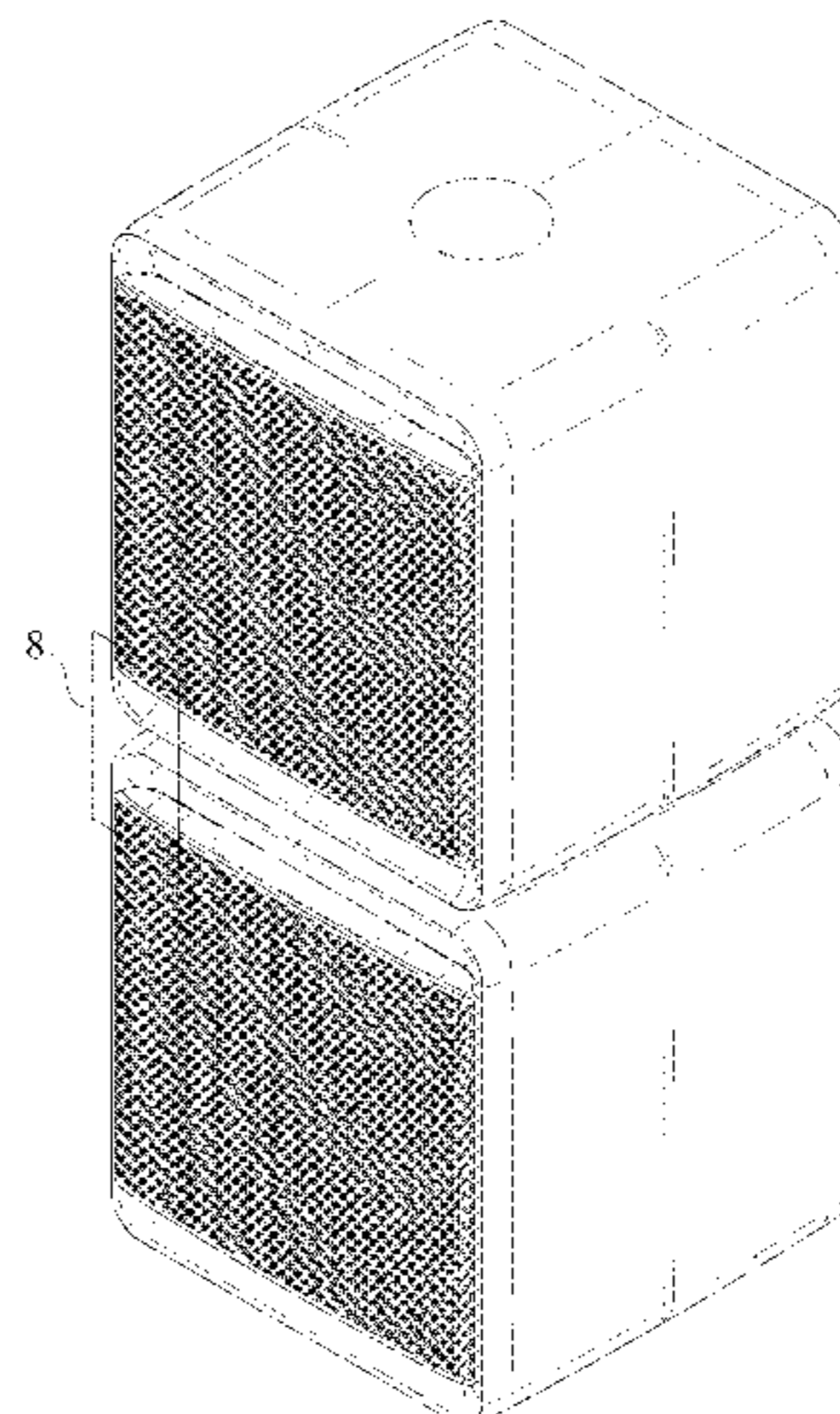
FIG. 20 is an enlarged view of the encircled portion in FIG. 15;

FIG. 21 is an enlarged view of the encircled portion in FIG. 15; and,

FIG. 22 is another perspective view of the air purifier shown in an alternate position.

The evenly spaced broken lines in the figures depict portions of the air purifier which form no part of the claimed design.

(Continued)



The uneven dot-dash broken line encircling portions of the claimed design that are illustrated in enlargements form no part of the claimed design.

1 Claim, 22 Drawing Sheets

(58) **Field of Classification Search**

USPC 55/356, 473, 504; 96/971; 261/DIG. 17, 261/DIG. 65, DIG. 88, DIG. 31

CPC .. A61L 9/16; A61L 9/22; B01D 47/00; B01D 47/027; B01D 2221/02; B01D 2259/4508; B03C 3/155; B03C 3/368; F24F 3/16; F24F 13/20; F24F 13/28

See application file for complete search history.

(56) **References Cited**

U.S. PATENT DOCUMENTS

D749,202 S * 2/2016 Satou D23/364

D750,209 S *	2/2016	Satou	D23/364
D767,108 S *	9/2016	Brandenburg	D23/366
D775,316 S *	12/2016	Nakai	D23/351
D777,310 S *	1/2017	Widhalm	F01N 3/2803
			D23/365
D798,430 S *	9/2017	Nord	D23/364
D818,098 S *	5/2018	Cho	D23/364
D827,115 S *	8/2018	Petersen	D23/333
D831,186 S *	10/2018	Tamras	D23/366
D848,593 S *	5/2019	Exley	D23/351
D849,220 S *	5/2019	Fang	D23/364

FOREIGN PATENT DOCUMENTS

JP	D1540286	12/2015
WO	DM 085 251	12/2014
WO	DM 091 010	5/2016

* cited by examiner

FIG. 1

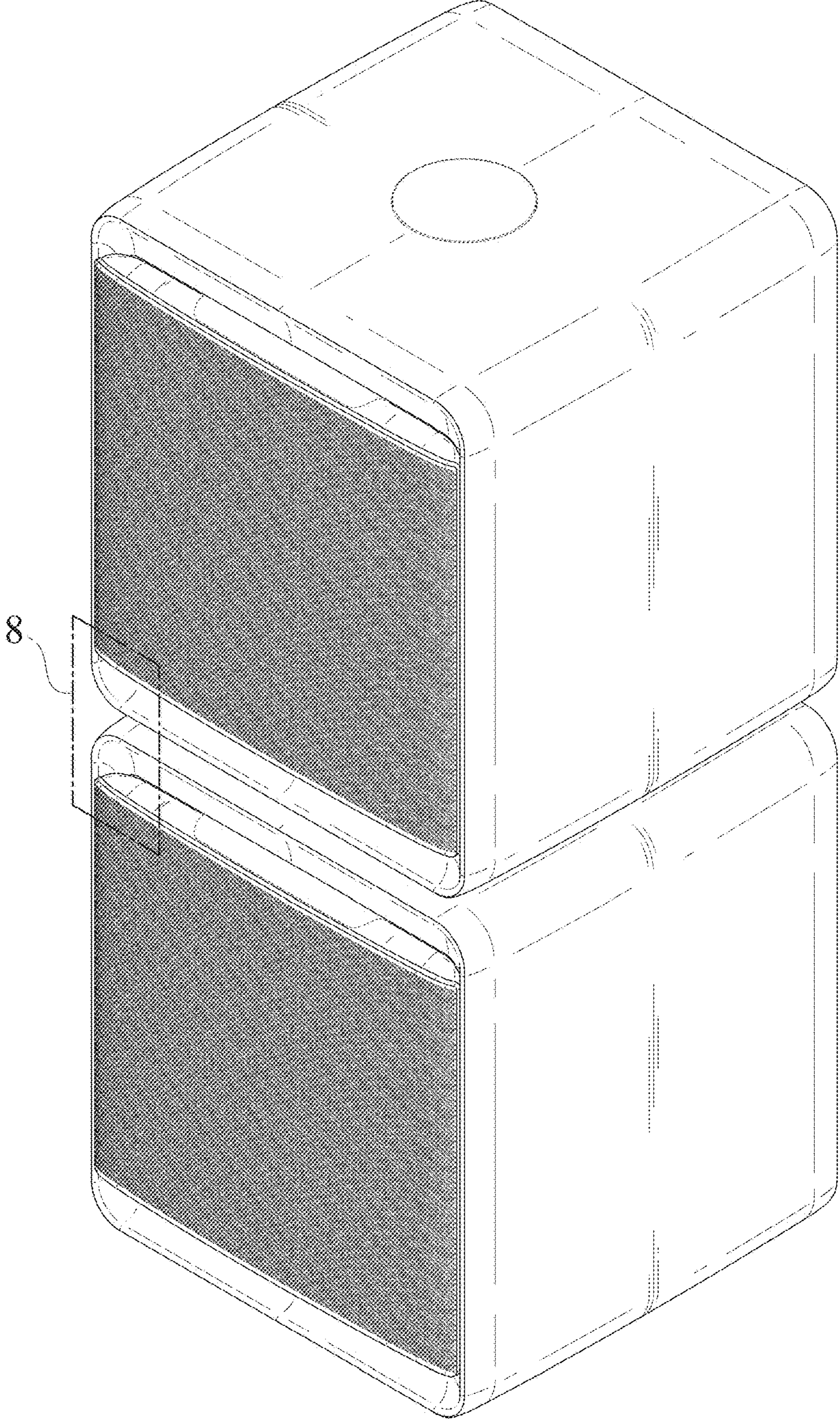


FIG. 2

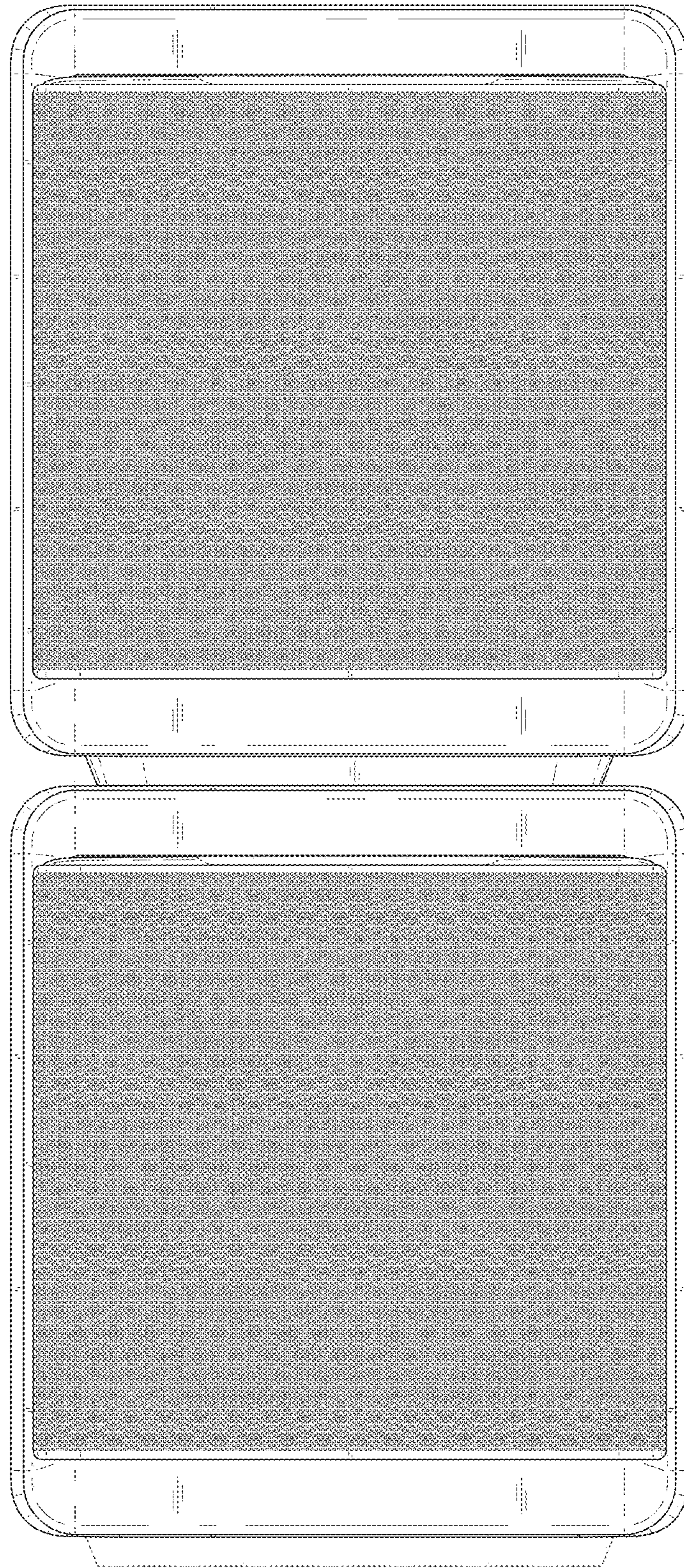


FIG. 3

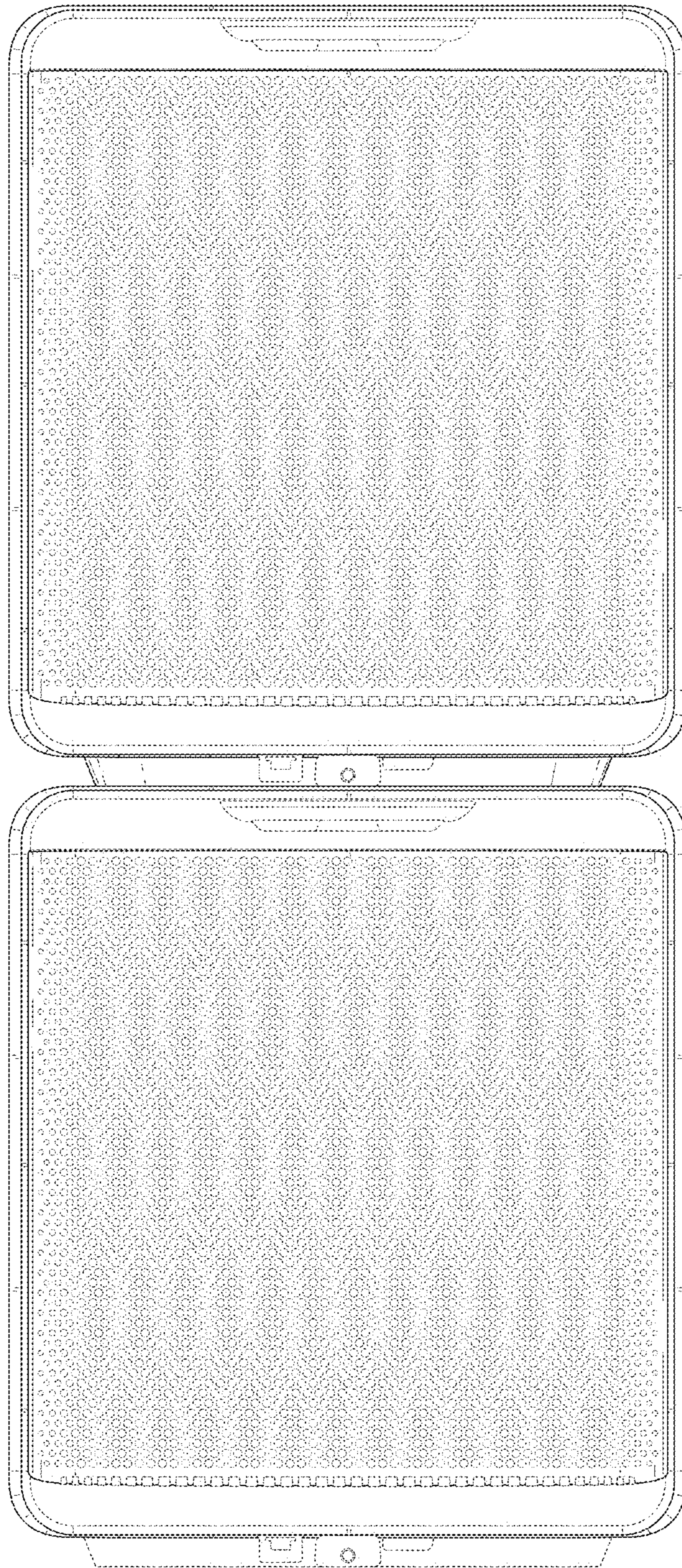


FIG. 4

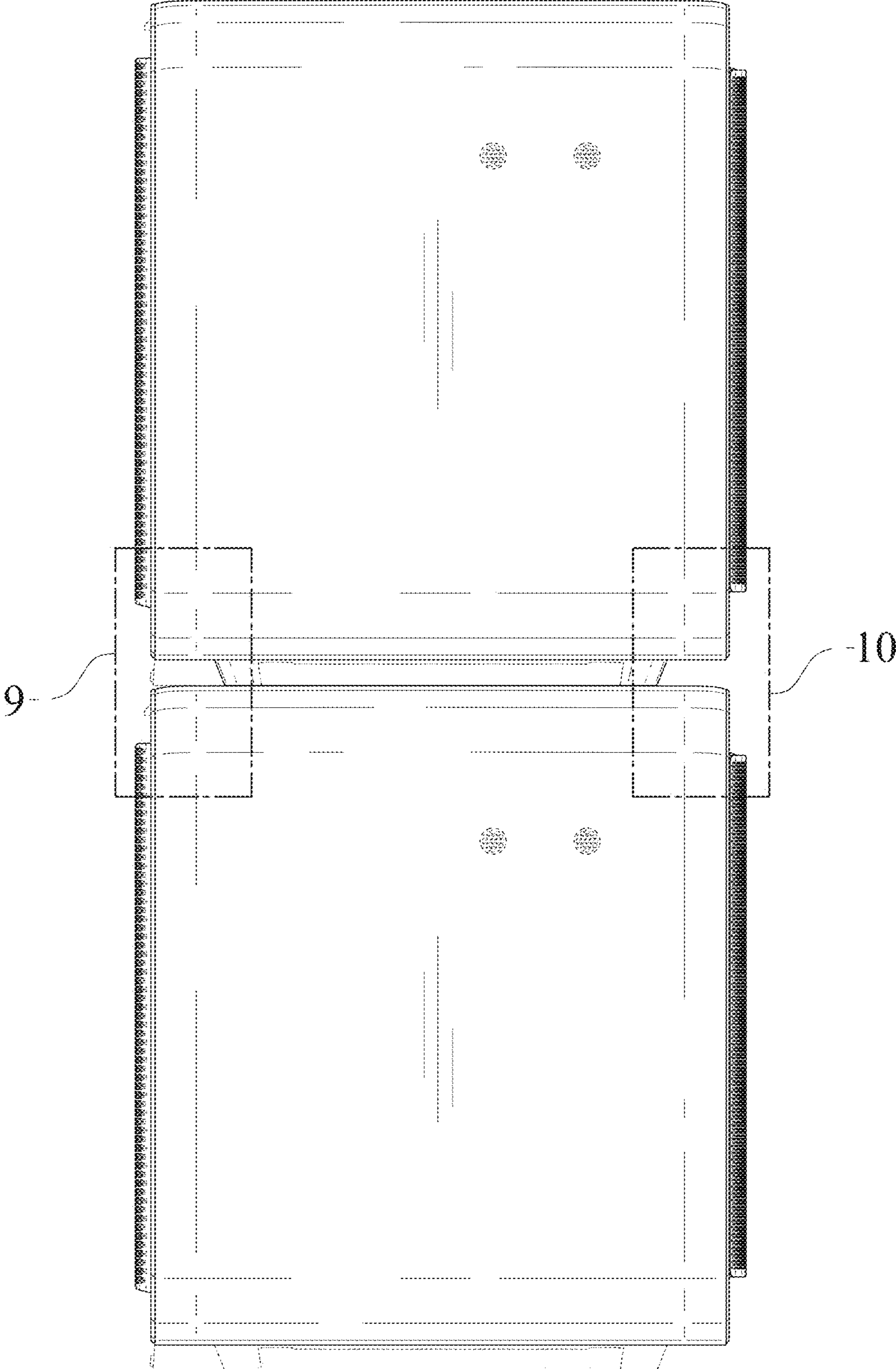


FIG. 5

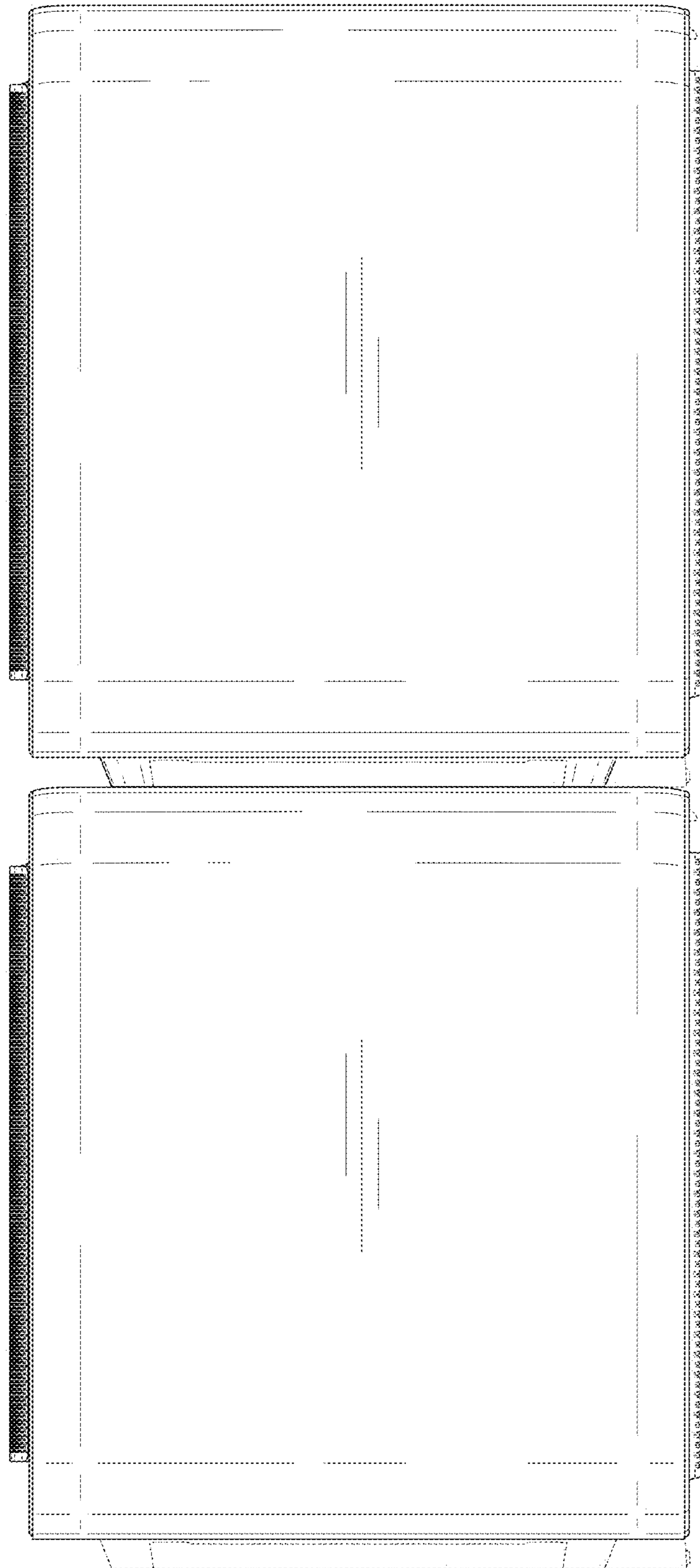


FIG. 6

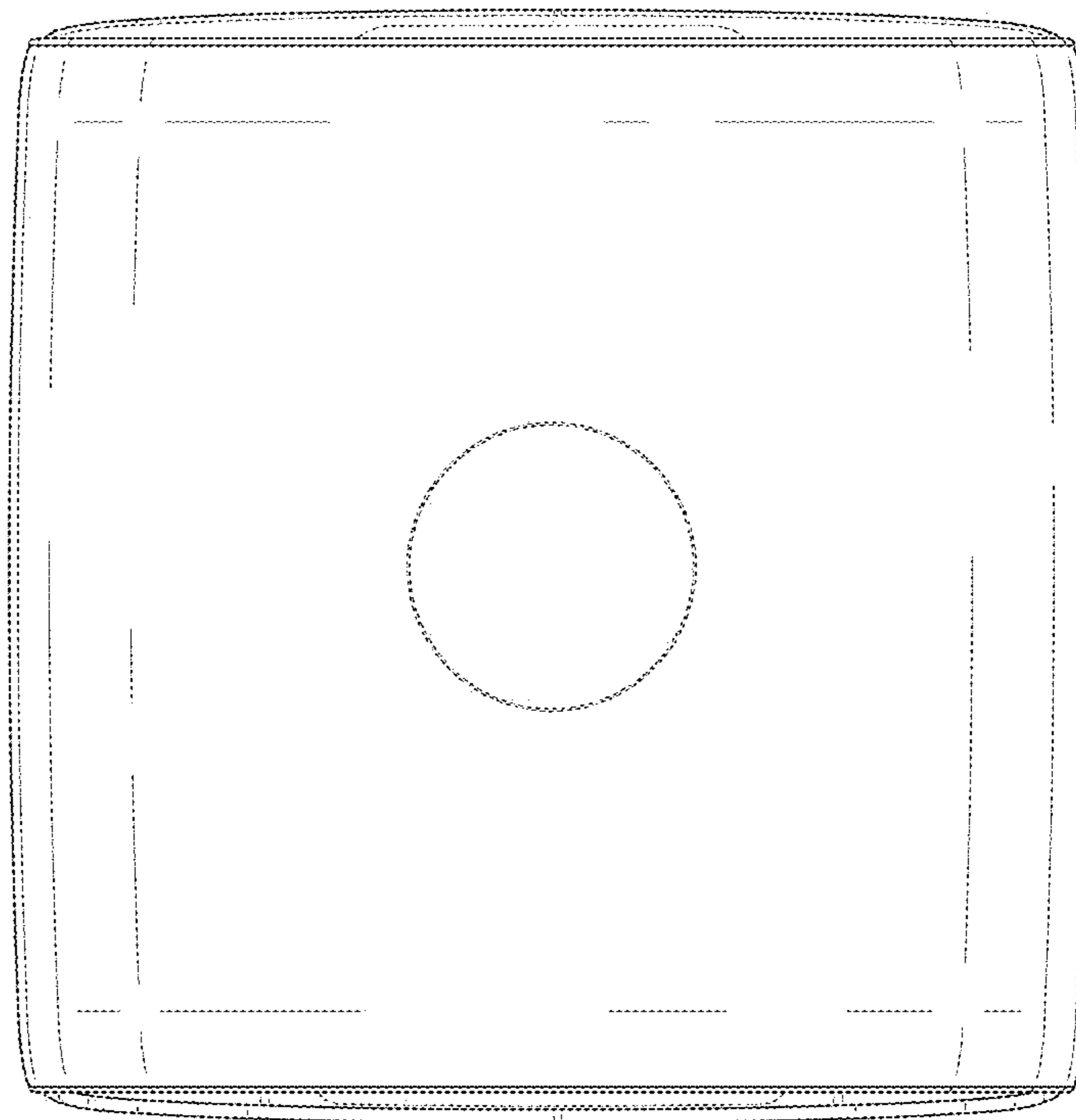


FIG. 7

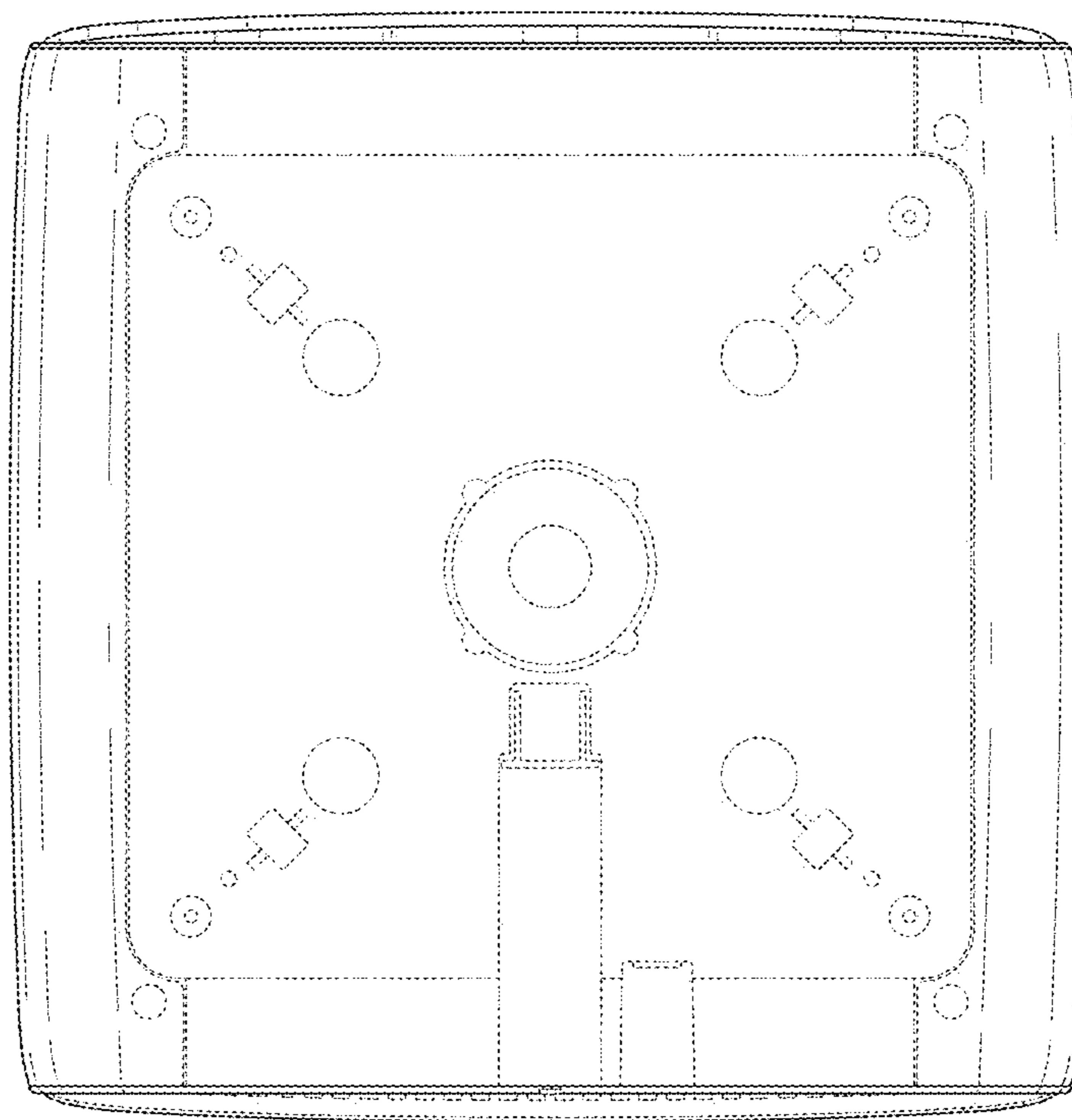


FIG. 8

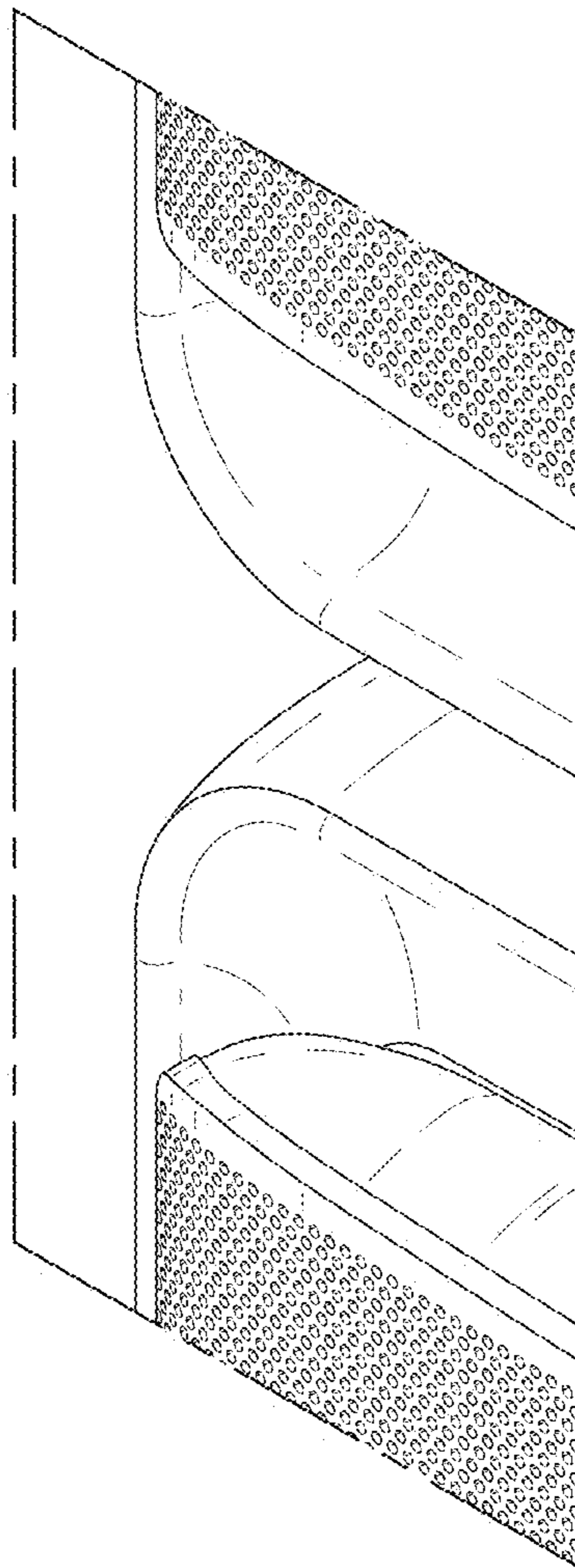


FIG. 9

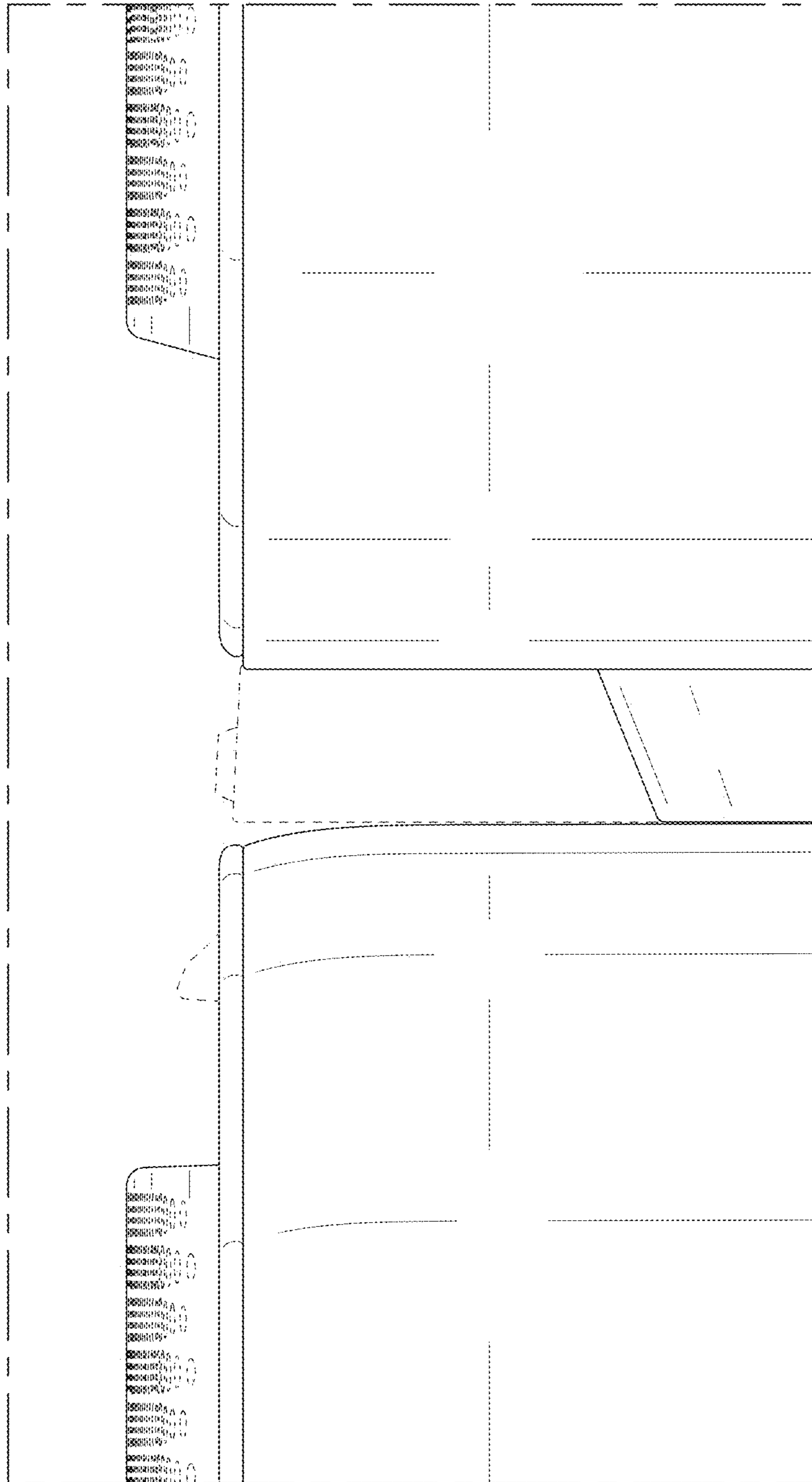


FIG. 10

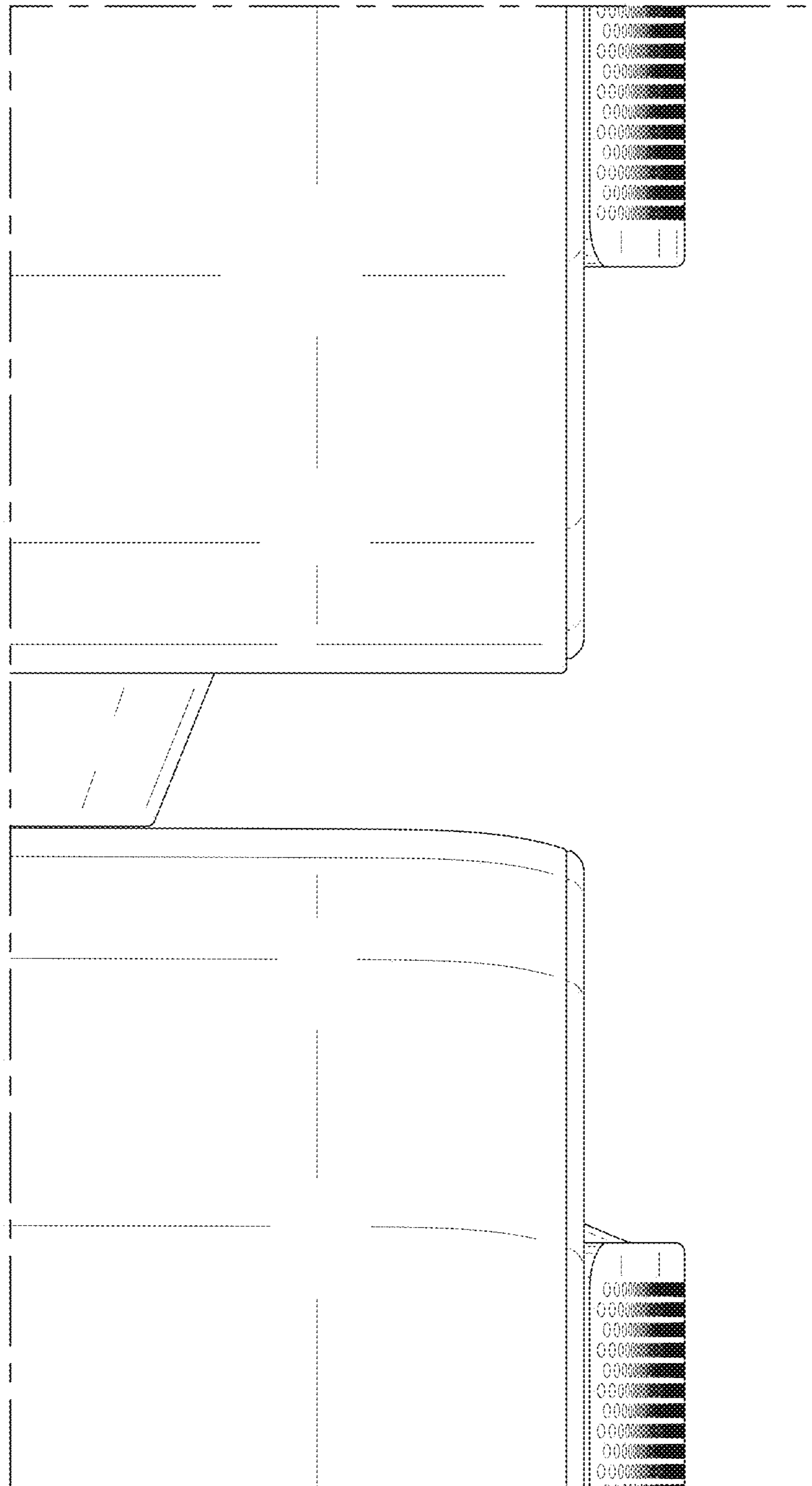


FIG. 11

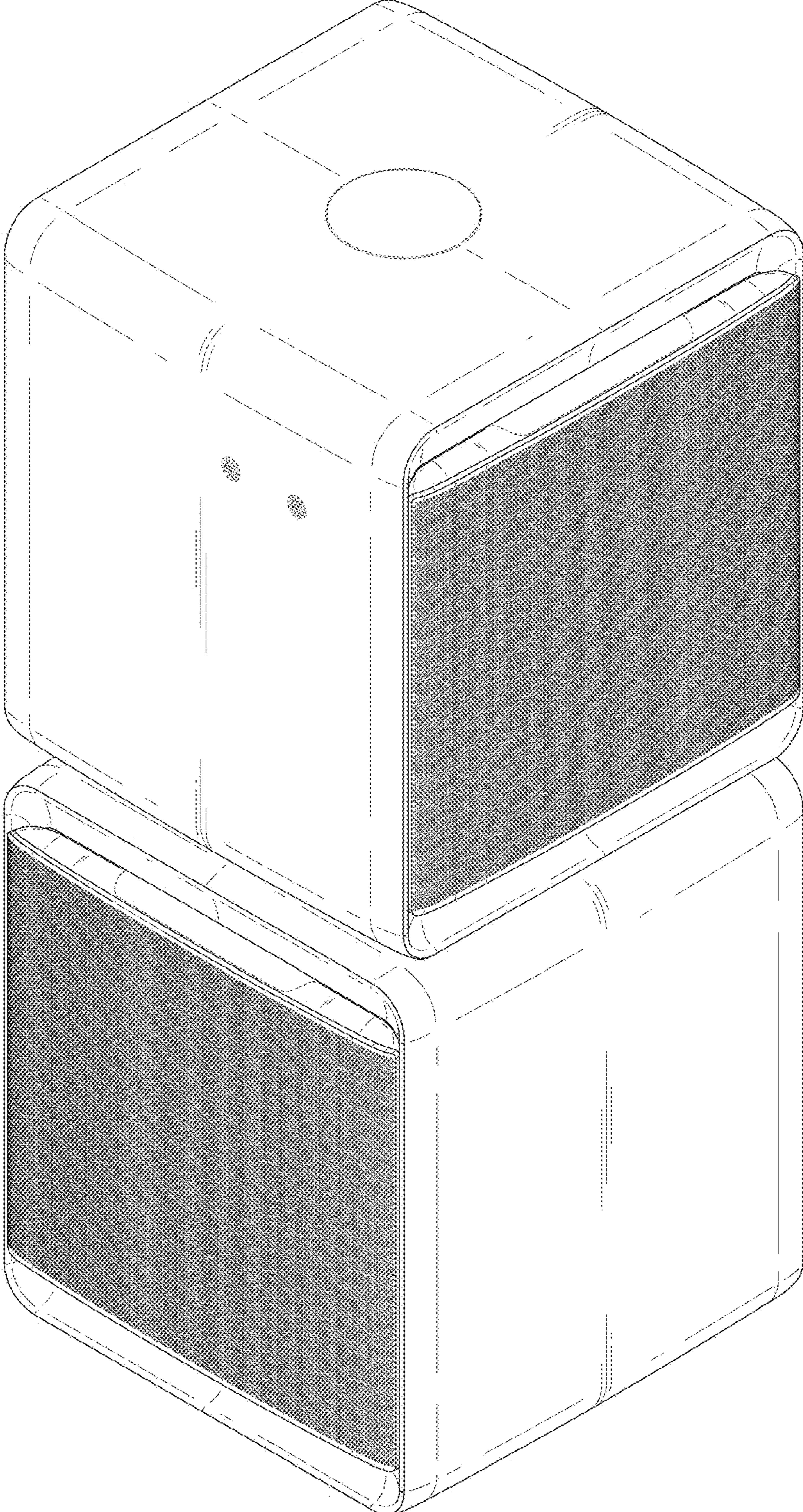


FIG. 12

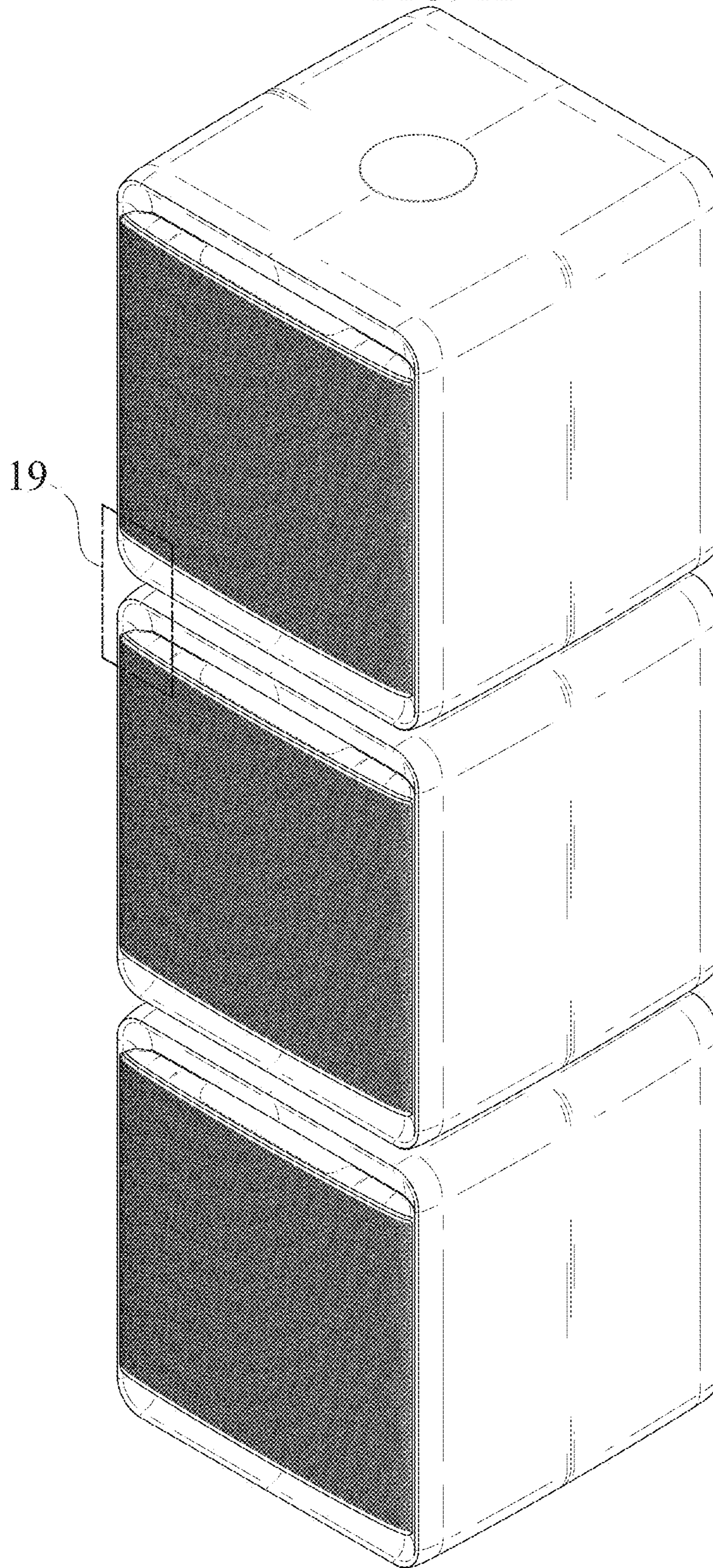


FIG. 13

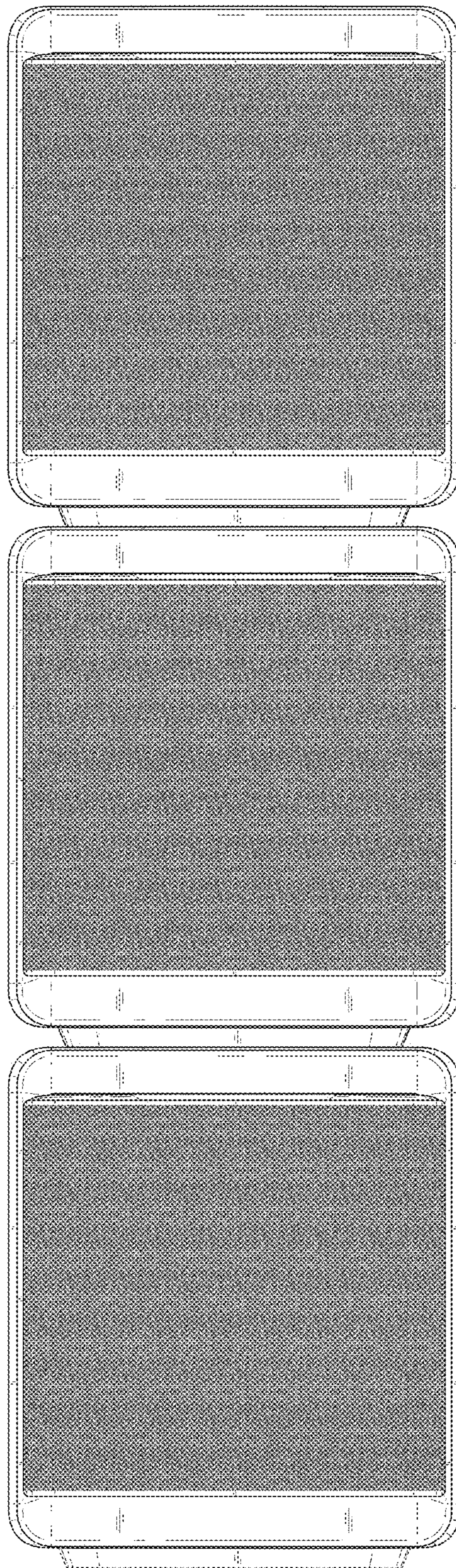


FIG. 14

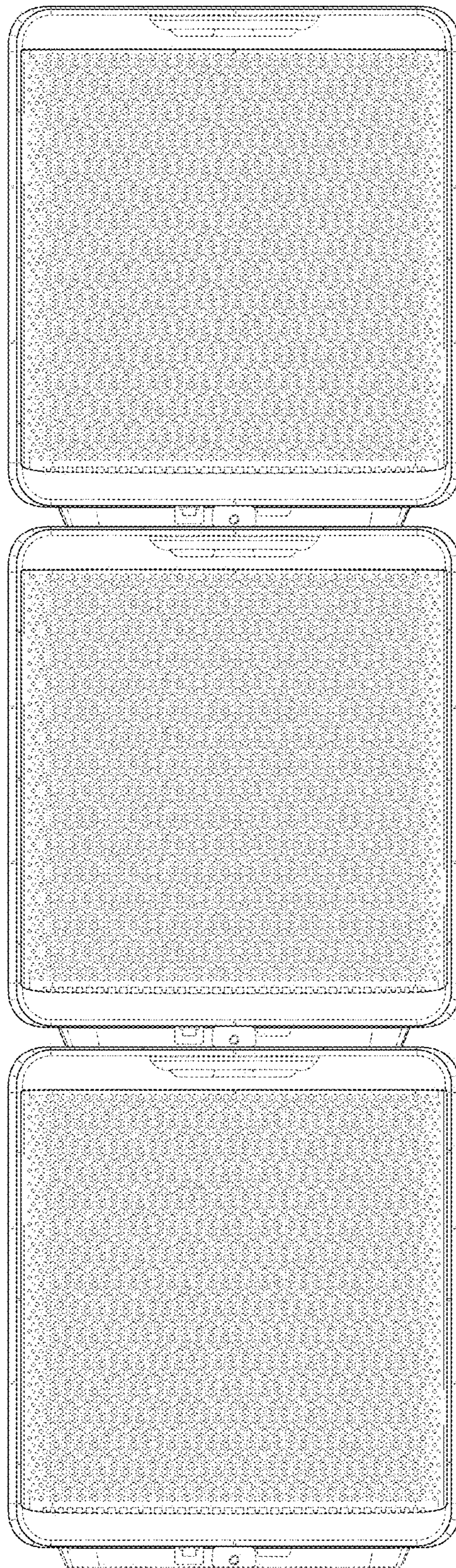


FIG. 15

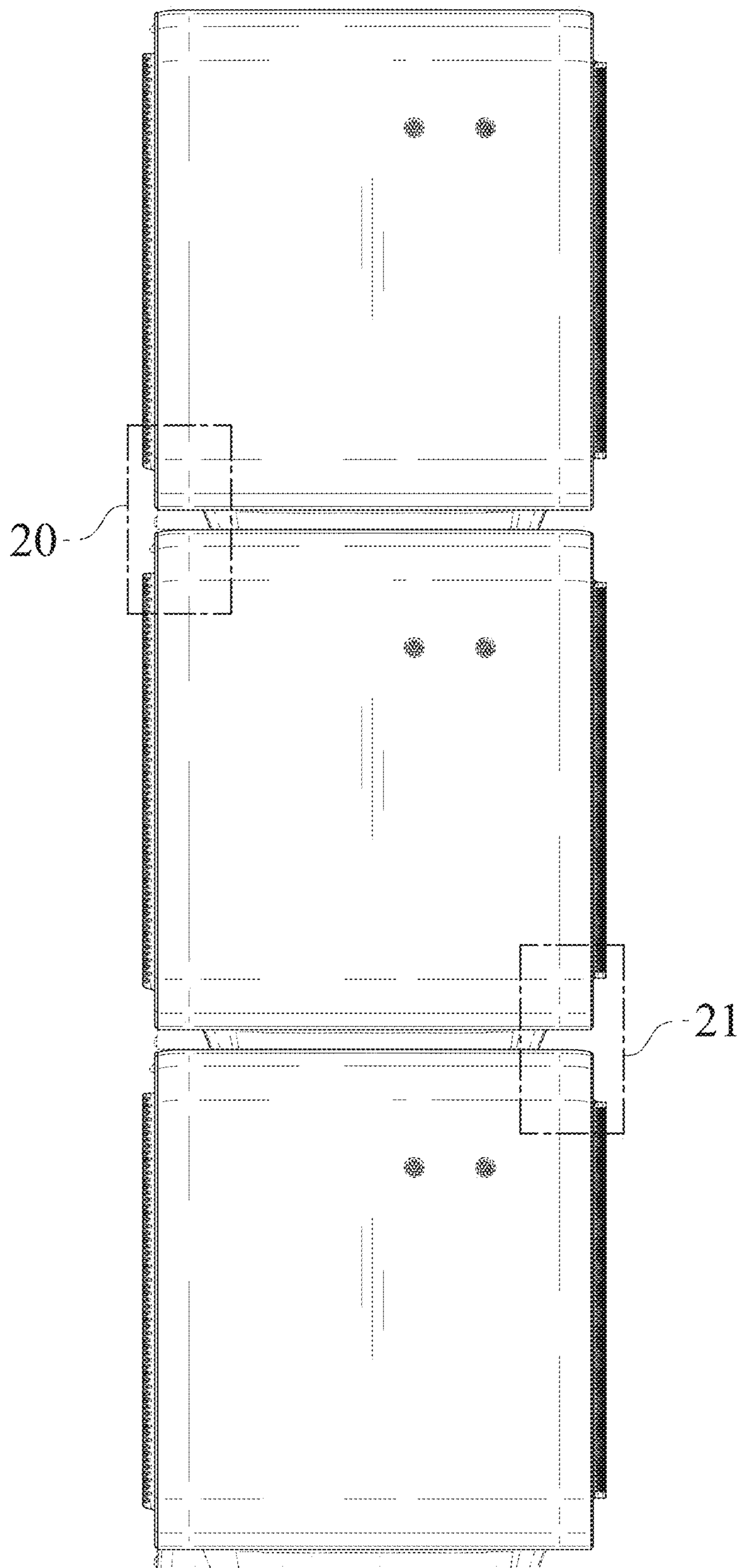


FIG. 16

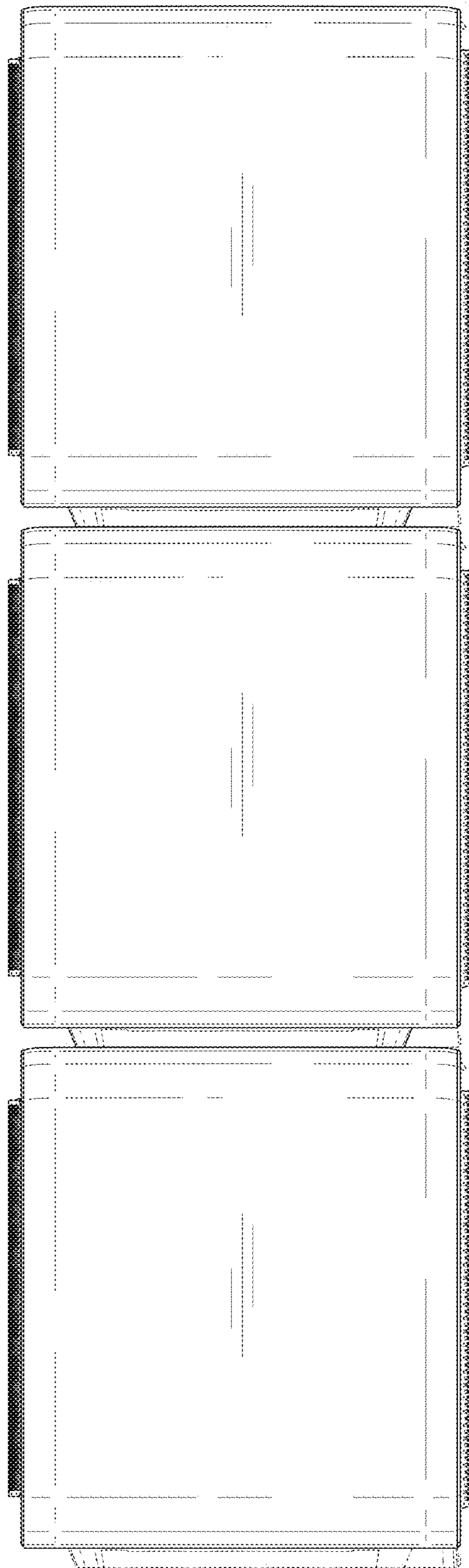


FIG. 17

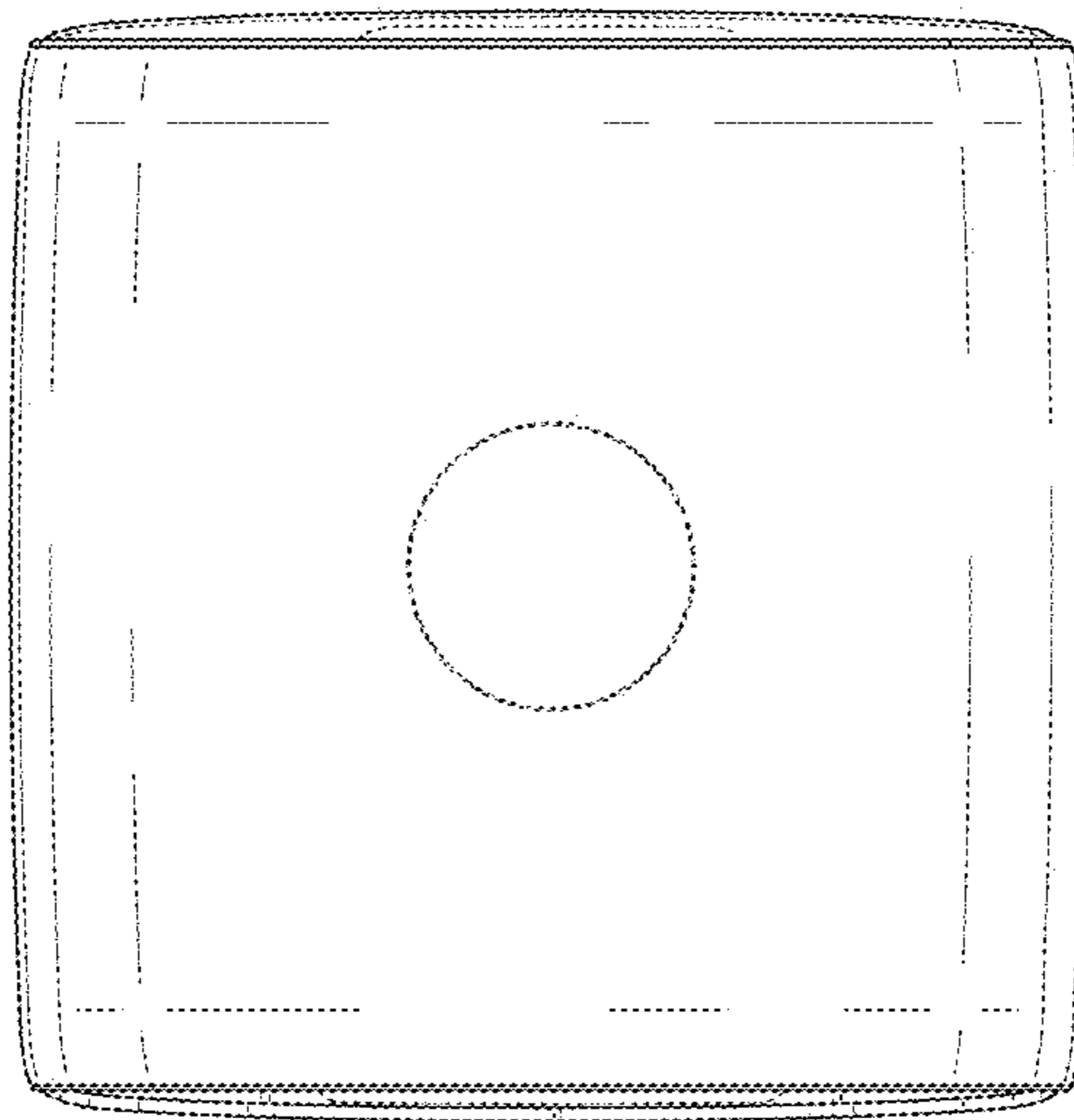


FIG. 18

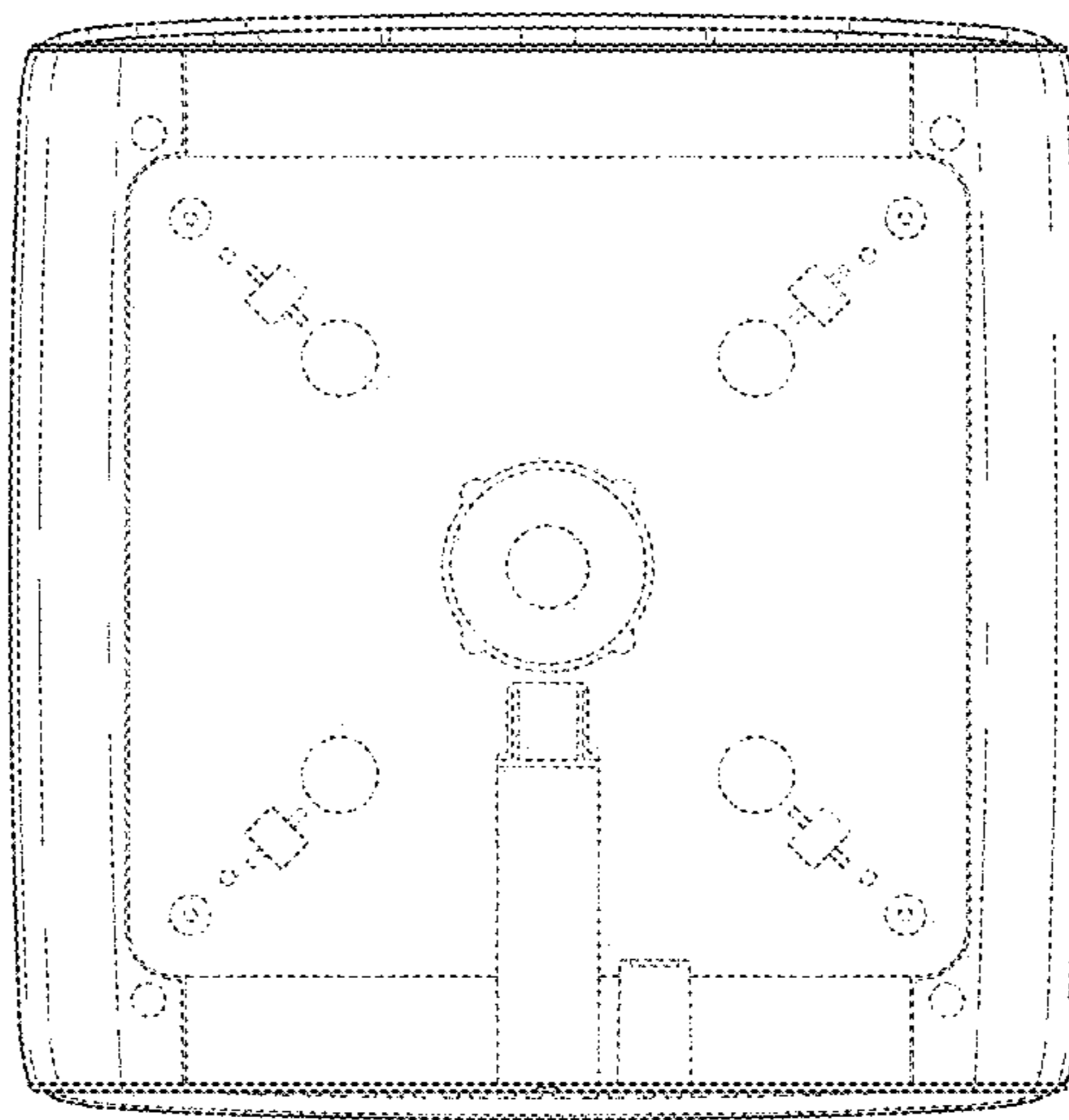


FIG. 19

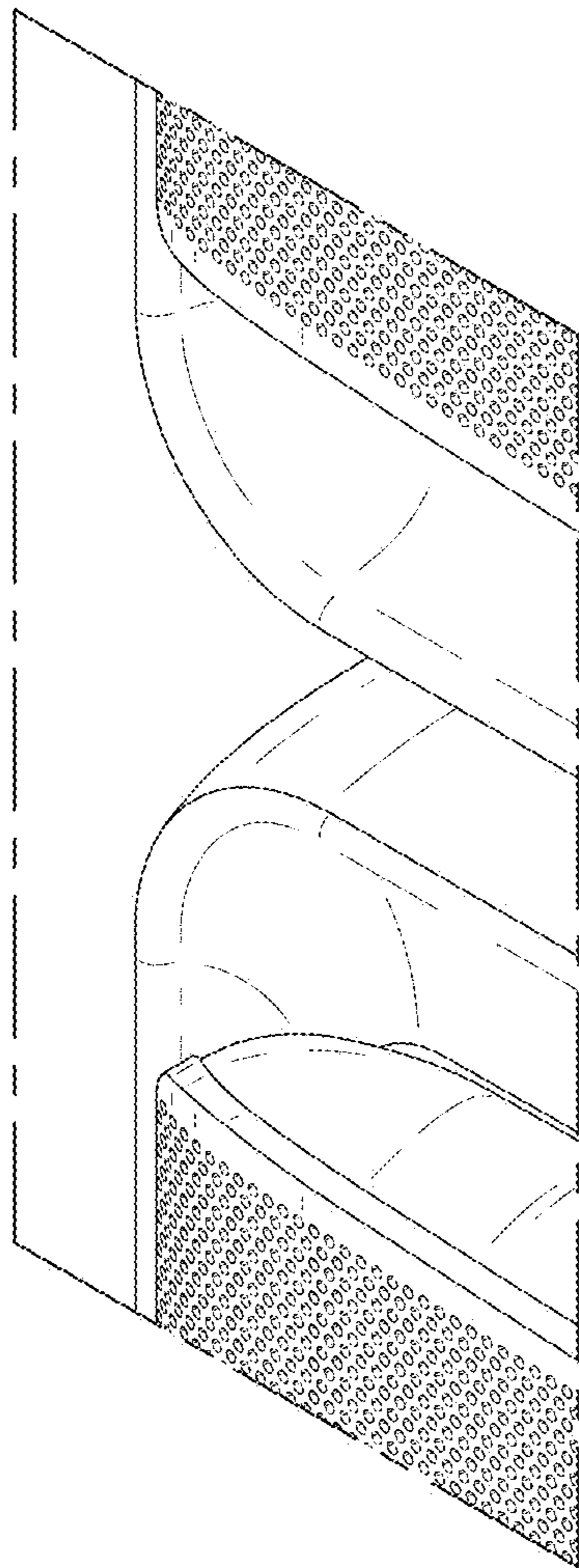


FIG. 20

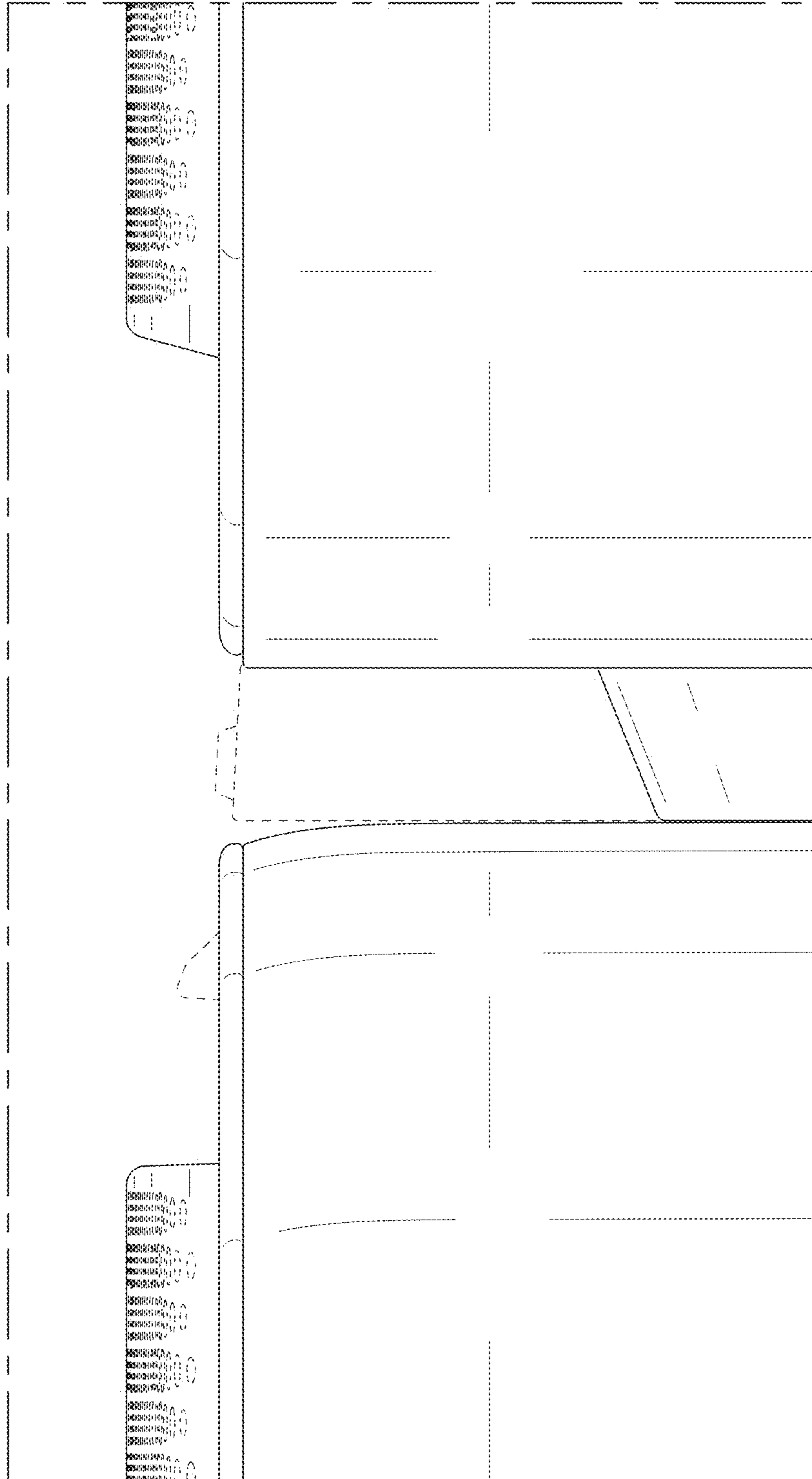


FIG. 21

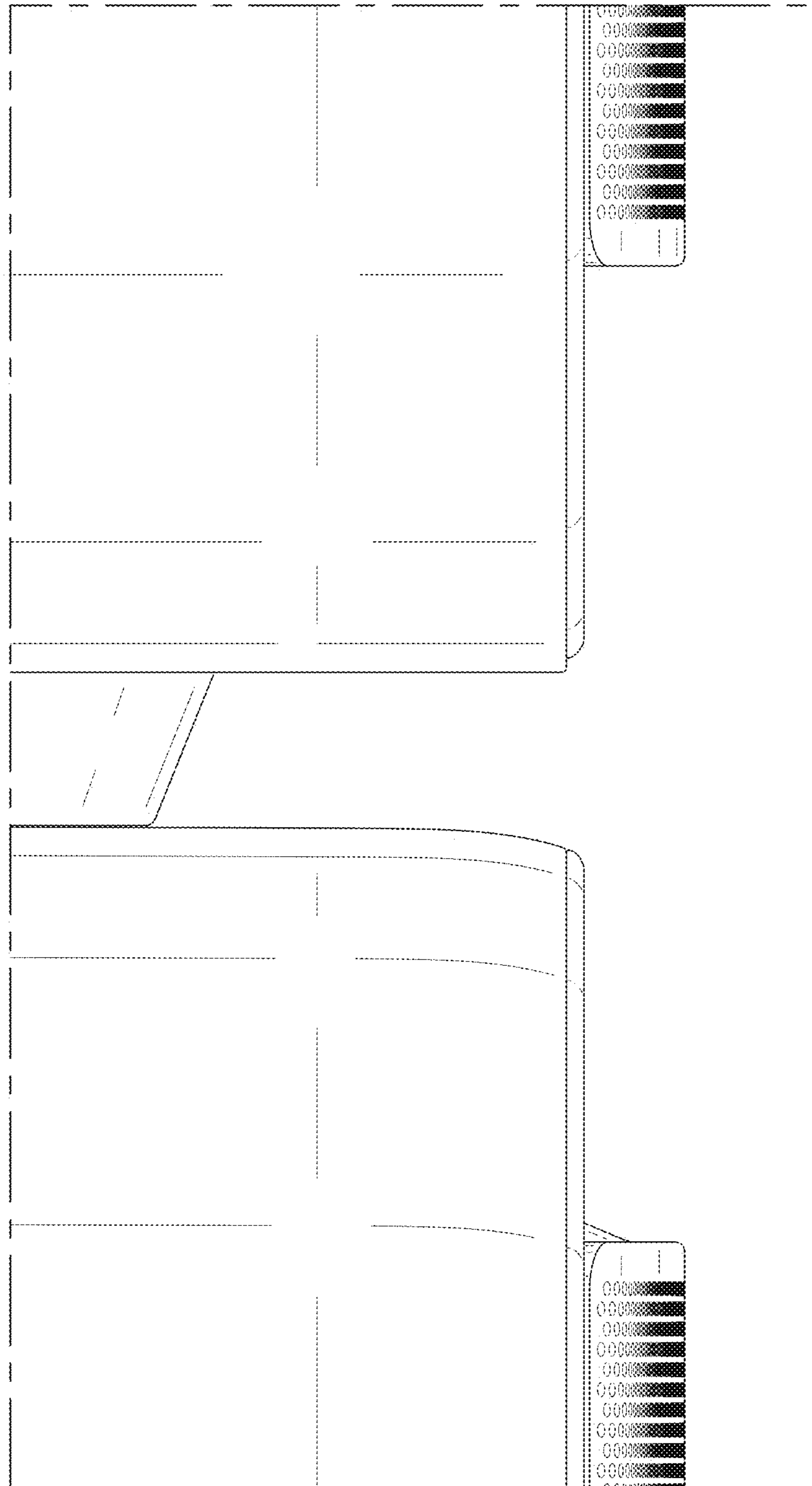


FIG. 22

