



US00D884133S

(12) **United States Design Patent**
Nakamori

(10) **Patent No.:** **US D884,133 S**

(45) **Date of Patent:** **** May 12, 2020**

(54) **AIR-CONDITIONER**

(71) Applicant: **Daiki Nakamori**, Osaka (JP)

(72) Inventor: **Daiki Nakamori**, Osaka (JP)

(73) Assignee: **DAIKIN INDUSTRIES LTD.**,
Osaka-Shi, Osaka-Fu (JP)

(**) Term: **15 Years**

(21) Appl. No.: **29/625,774**

(22) Filed: **Nov. 13, 2017**

(30) **Foreign Application Priority Data**

May 22, 2017 (JP) 2017-010828

(51) **LOC (12) Cl.** **23-04**

(52) **U.S. Cl.**
USPC **D23/351**

(58) **Field of Classification Search**

USPC D23/333, 351-354, 388
CPC F24F 1/00; F24F 1/0007; F24F 1/02; F24F
1/08; F24F 1/42; F24F 1/56; F24F 1/60;
F24F 3/044; F24F 3/048; F24F 3/16;
G05D 23/1905; G05D 23/1932; G05D
23/1902; G05D 23/1931; G05B 19/0426;
G05B 19/409; G05B 15/02

See application file for complete search history.

(56) **References Cited**

U.S. PATENT DOCUMENTS

D566,254 S * 4/2008 Lim D23/351
D568,975 S * 5/2008 Lim D23/351
D578,195 S * 10/2008 Chun D23/351
D580,534 S * 11/2008 Oh D23/351

D580,535 S * 11/2008 Chun D23/351
D584,389 S * 1/2009 Oh D23/351
D613,842 S * 4/2010 Yamashita D23/351
D648,013 S * 11/2011 Baek D23/351
D648,014 S * 11/2011 Baek D23/351
D648,015 S * 11/2011 Baek D23/351
D674,068 S * 1/2013 Baek D23/351
D689,178 S * 9/2013 Ueno D23/351
D720,058 S * 12/2014 Niki D23/351
D720,059 S * 12/2014 Niki D23/351
D720,062 S * 12/2014 Guojie D23/351
D761,404 S * 7/2016 Chouji D23/351
D849,911 S * 5/2019 Arai D23/351
D852,341 S * 6/2019 Nakamori D23/351

* cited by examiner

Primary Examiner — Natasha Vujcic

(74) *Attorney, Agent, or Firm* — Manabu Kanesaka

(57) **CLAIM**

The ornamental design for air-conditioner, as shown and described.

DESCRIPTION

FIG. 1 is a perspective view of an air-conditioner showing my new design;

FIG. 2 is a front view thereof;

FIG. 3 is a rear view thereof;

FIG. 4 is a plan view thereof;

FIG. 5 is a bottom view thereof;

FIG. 6 is a left side view thereof;

FIG. 7 is a right side view thereof;

FIG. 8 is a cross-sectional view thereof along the line 8-8 in FIG. 2; and,

FIG. 9 is a perspective view of the usage state.

The broken lines depict portions of the air-conditioner that form no part of claimed design.

1 Claim, 3 Drawing Sheets

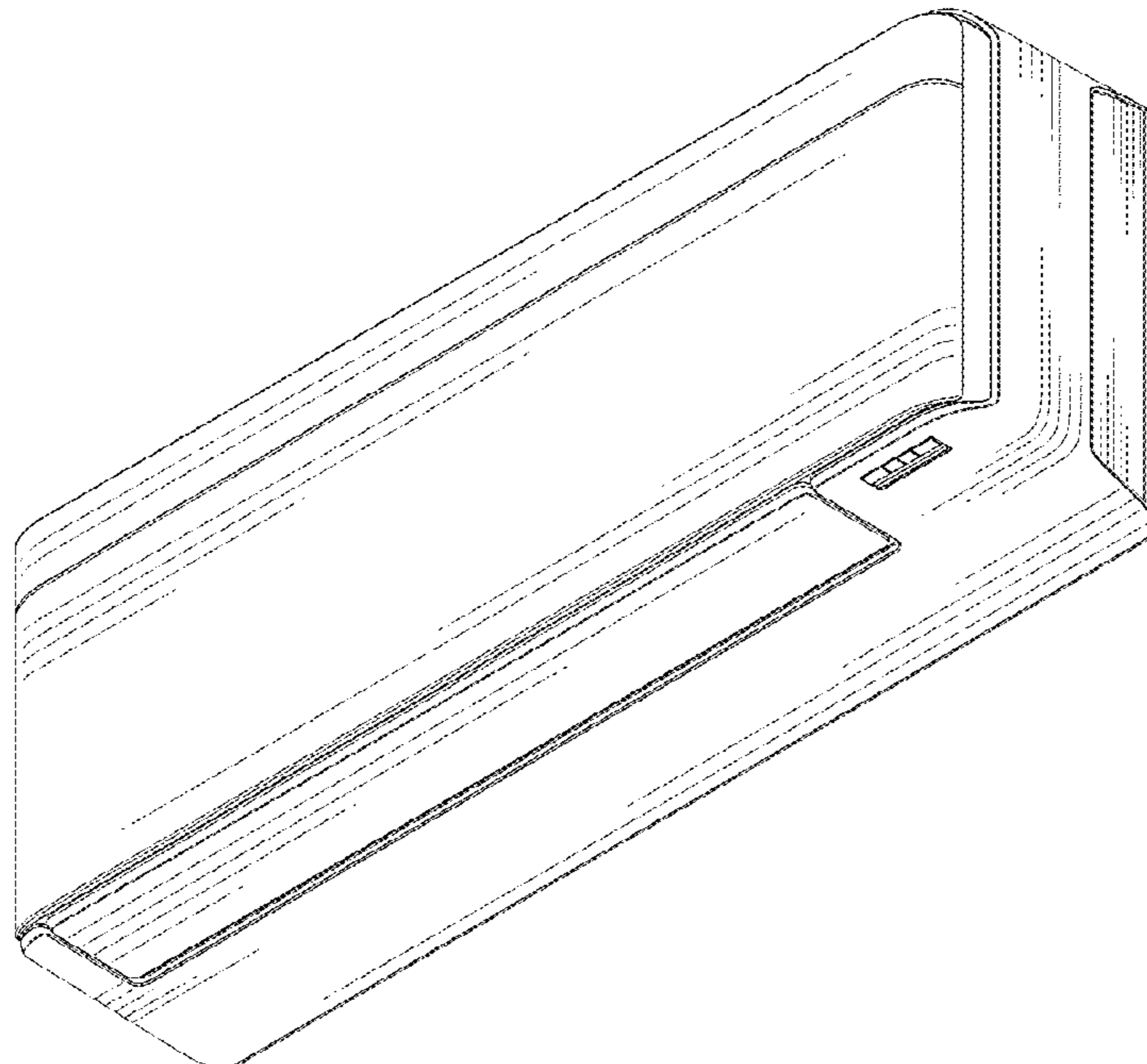


Fig. 1

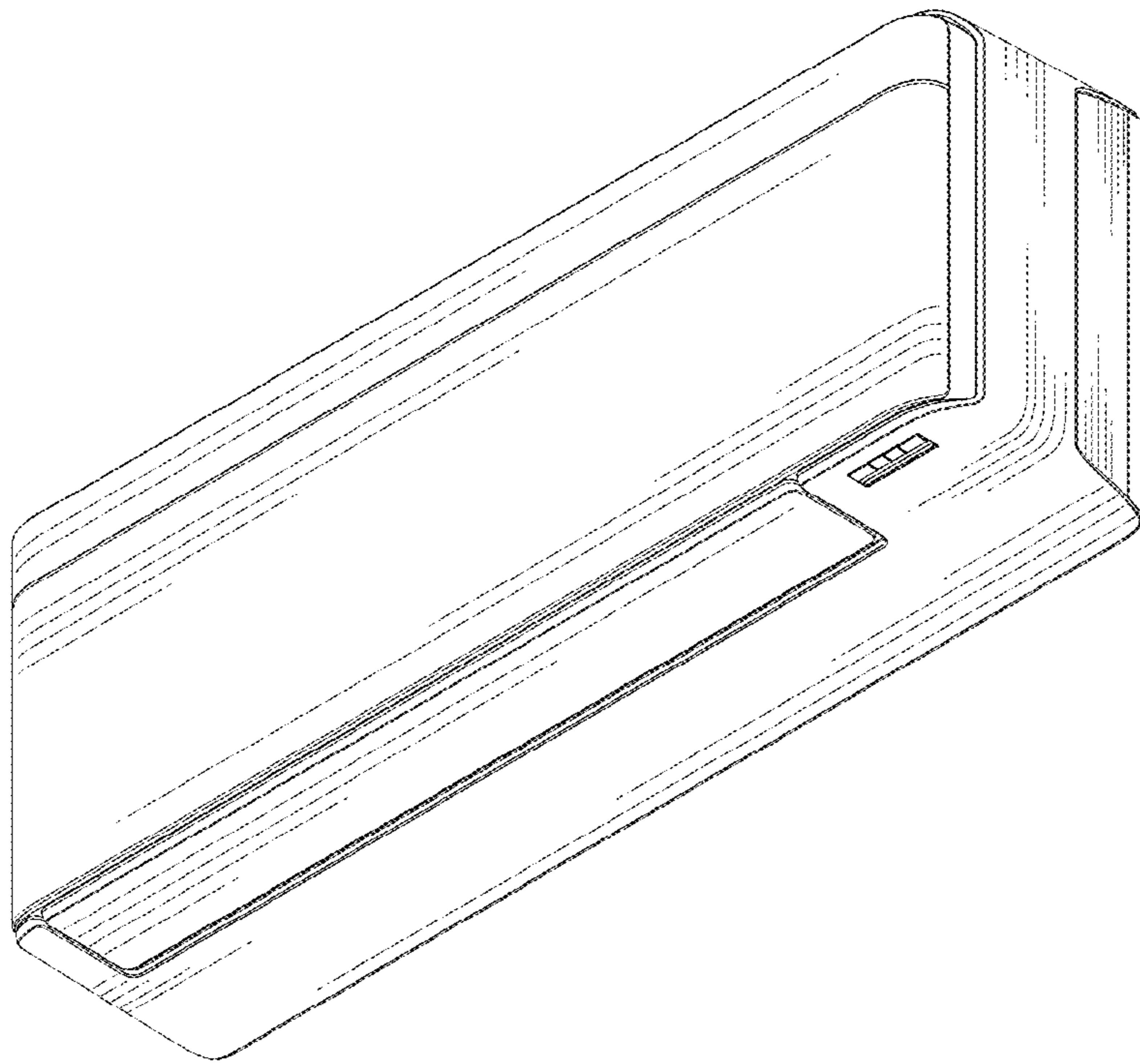


Fig. 2

8 ←

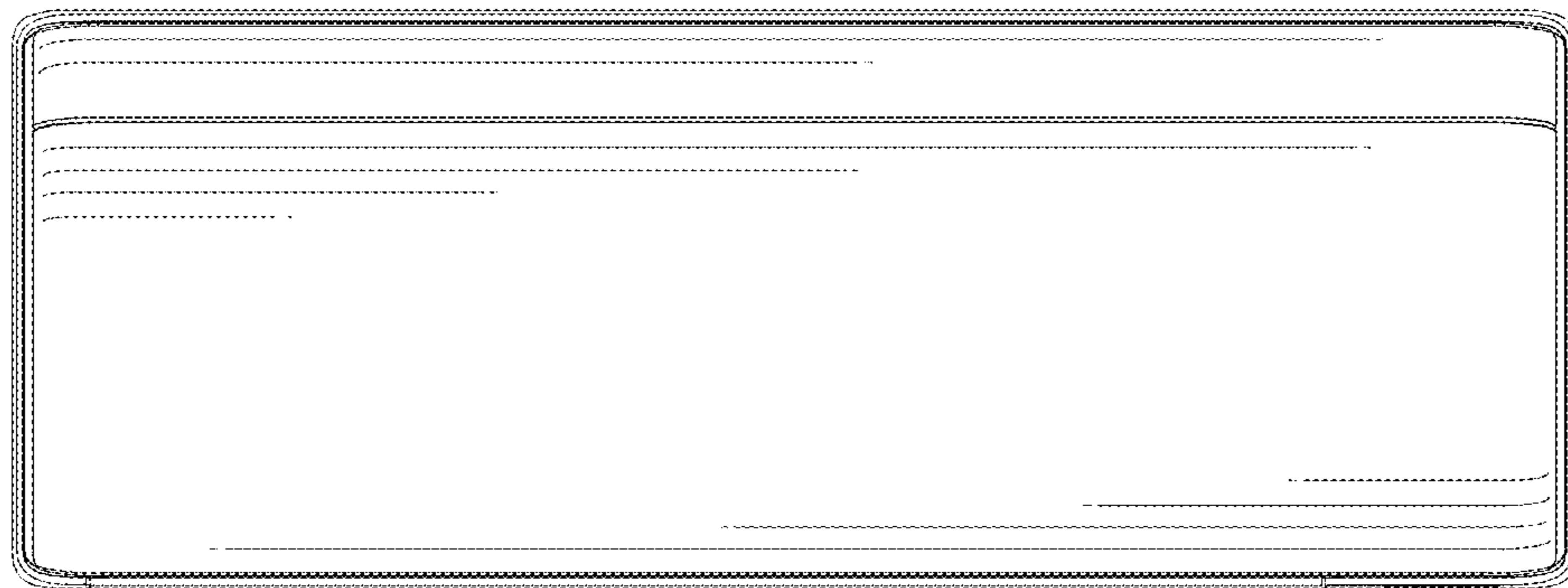


Fig. 3

8 ←

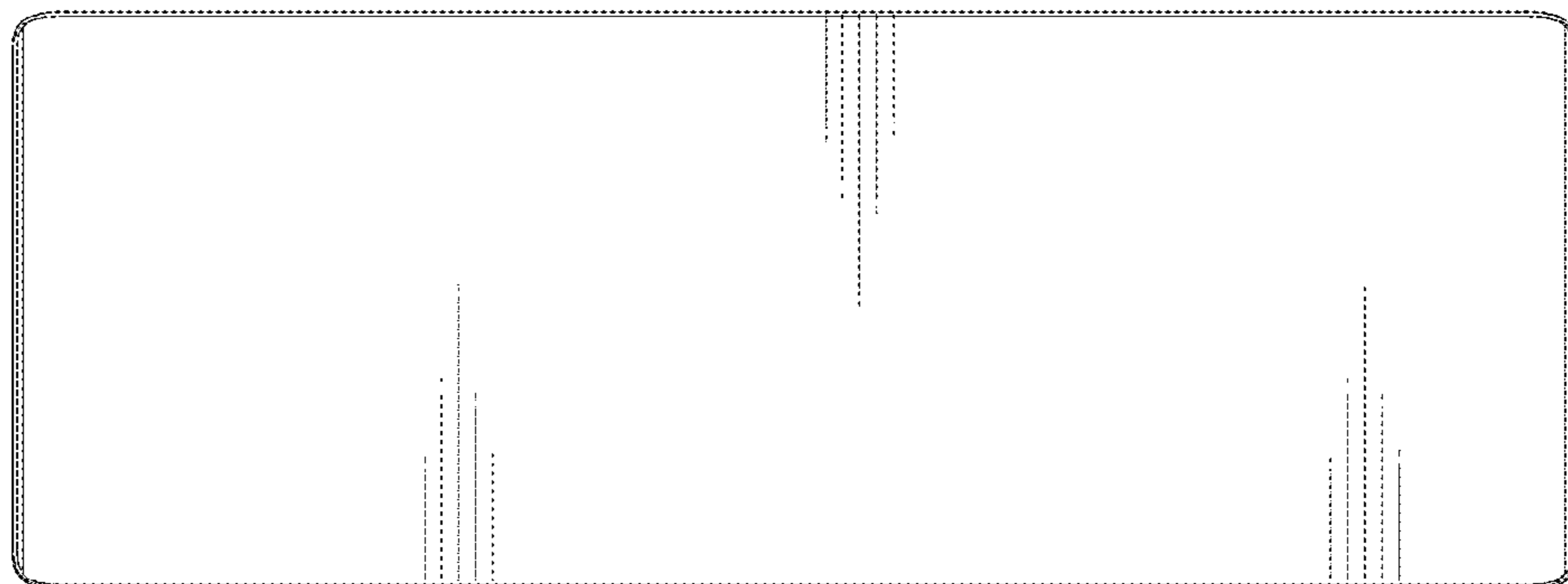


Fig.4

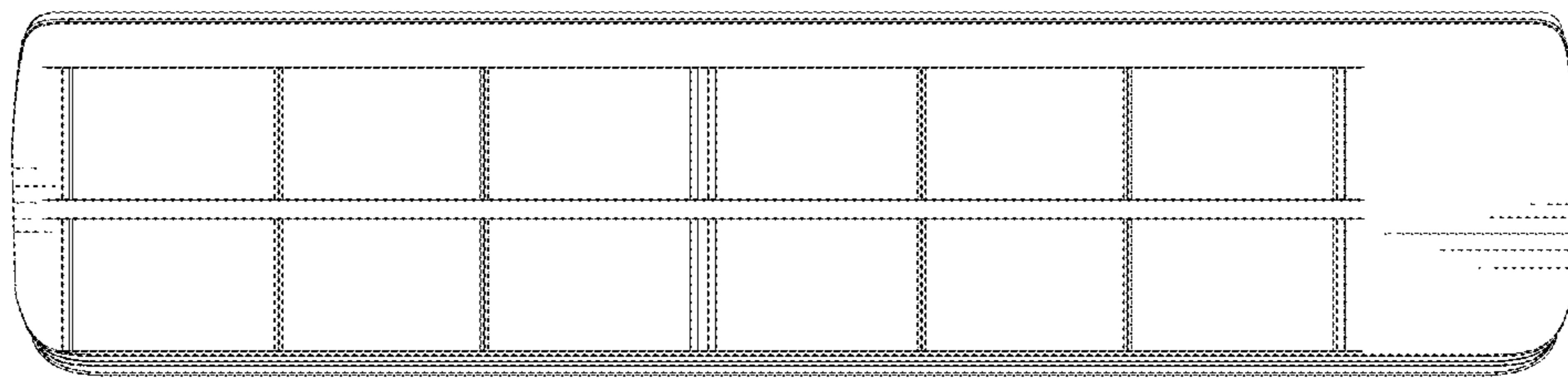


Fig.5

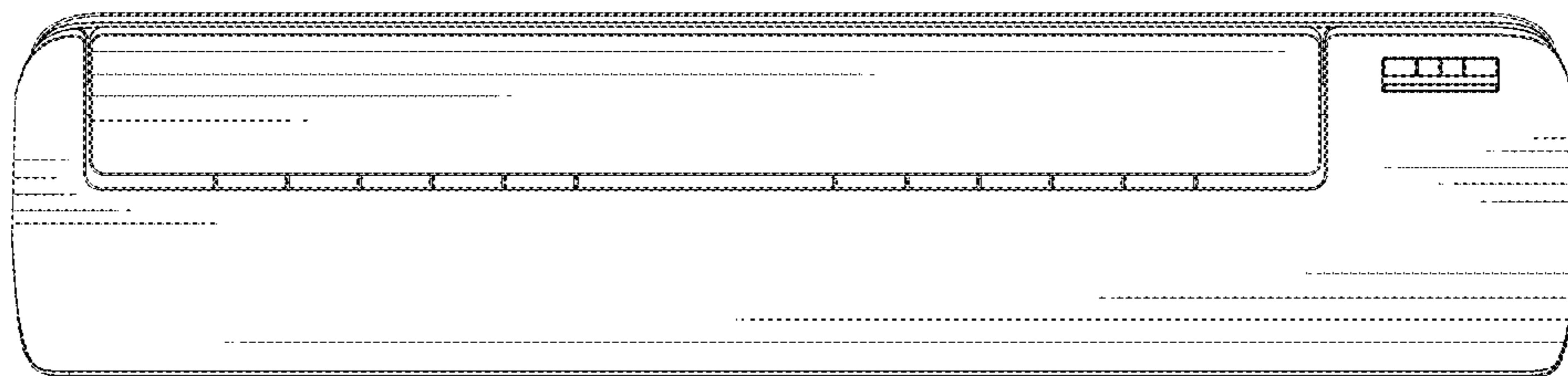


Fig.6

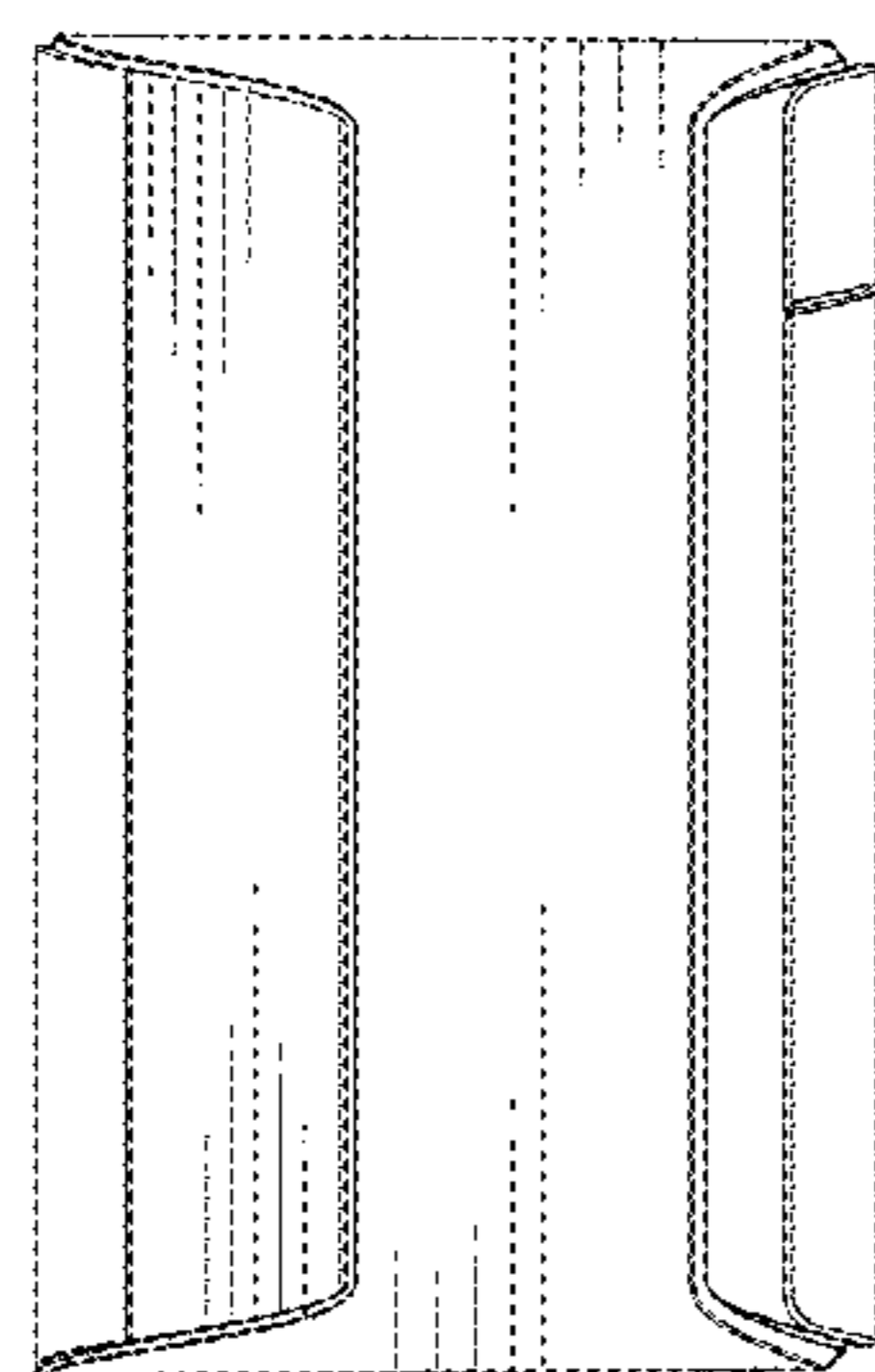


Fig.7

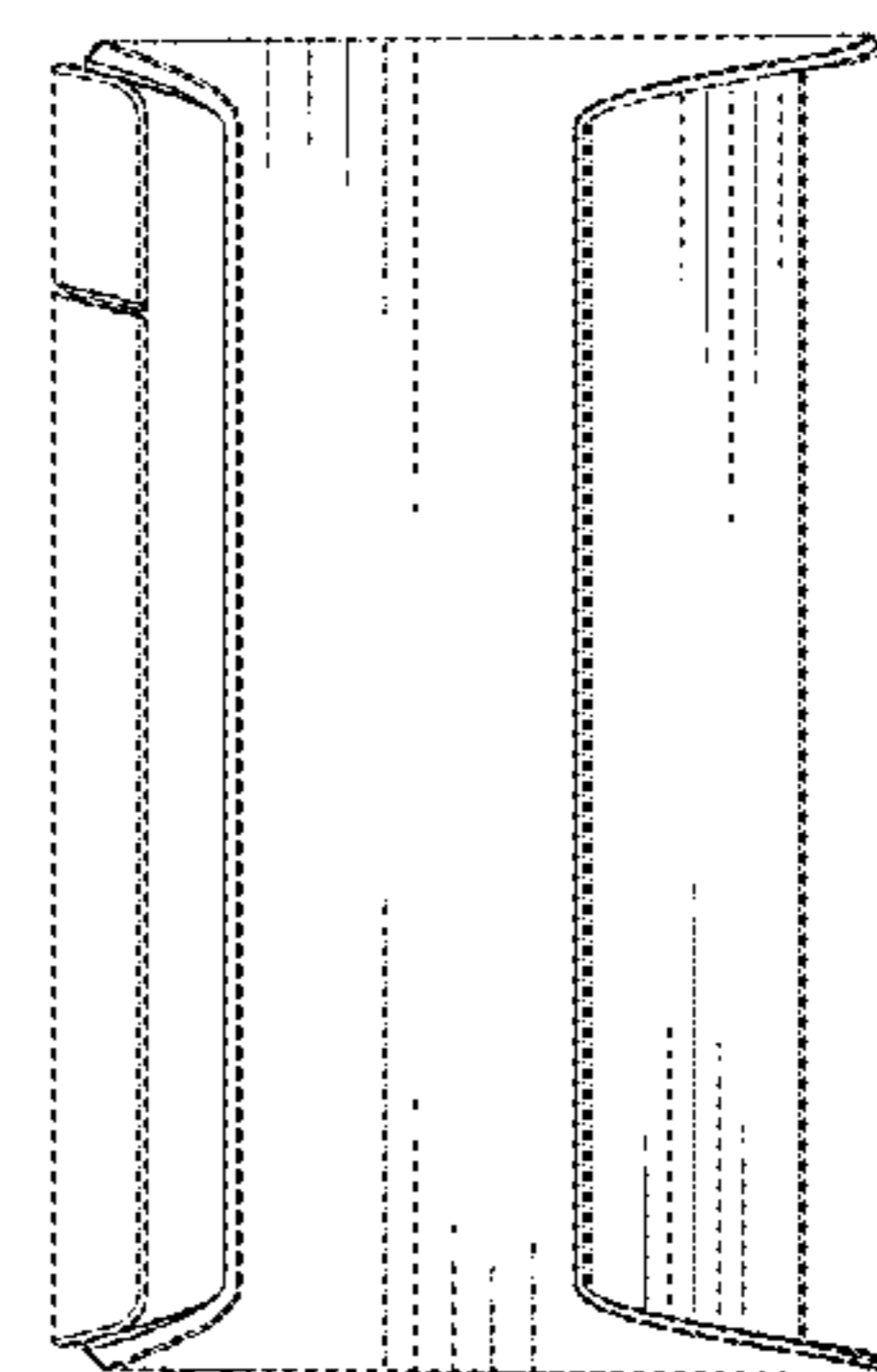


Fig. 8

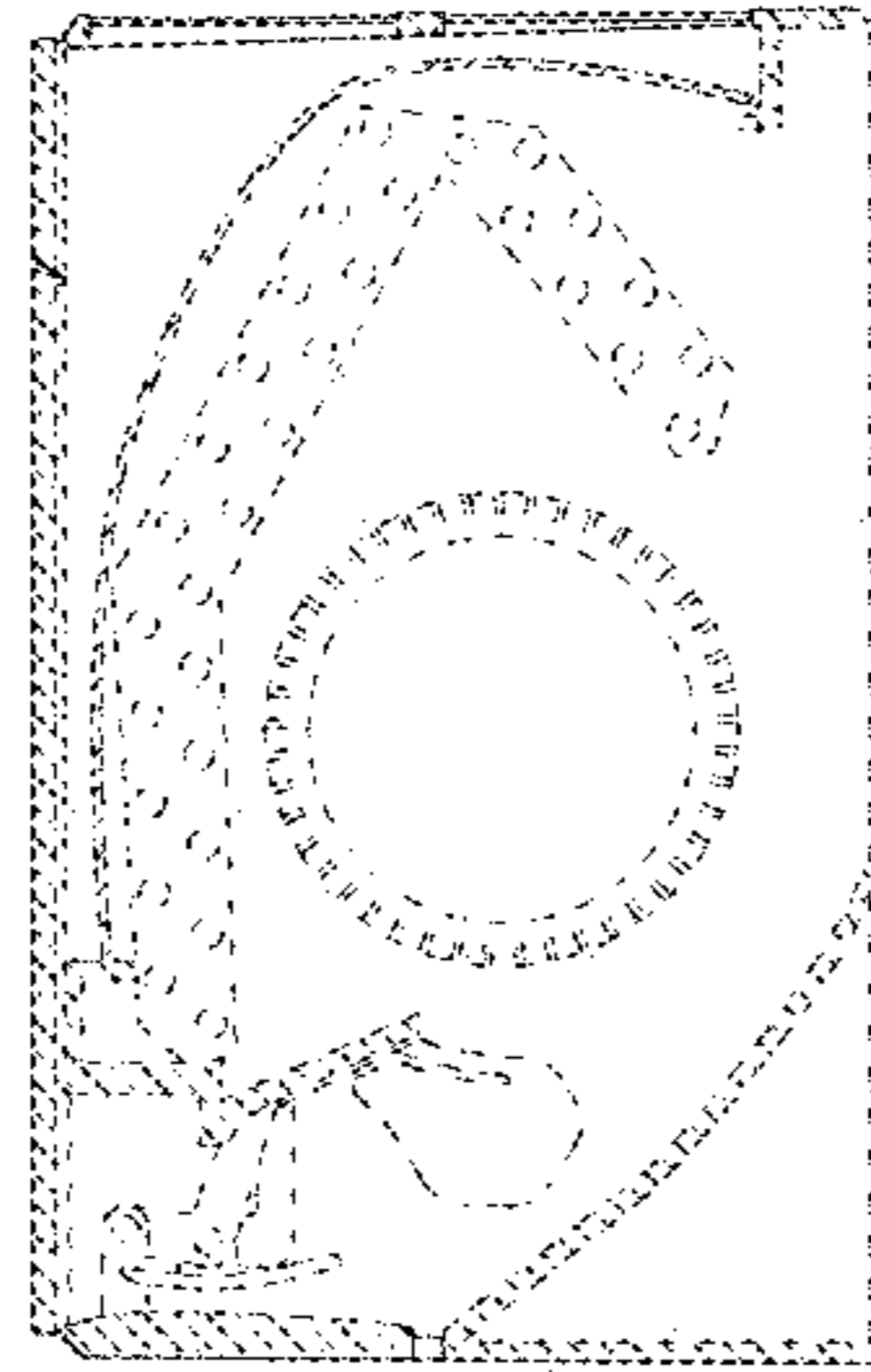


Fig. 9

