



US00D884131S

(12) **United States Design Patent**
Zhu

(10) **Patent No.:** **US D884,131 S**

(45) **Date of Patent:** **** May 12, 2020**

(54) **HEATER DEVICE**

(71) Applicant: **Caixia Zhu**, Jieyang (CN)

(72) Inventor: **Caixia Zhu**, Jieyang (CN)

(**) Term: **15 Years**

(21) Appl. No.: **29/705,597**

(22) Filed: **Sep. 13, 2019**

(51) **LOC (12) Cl.** **23-03**

(52) **U.S. Cl.**

USPC **D23/335**

(58) **Field of Classification Search**

USPC D23/314, 317, 318, 319, 320, 321, 322,
D23/323, 329, 330, 331, 332, 334, 335,
D23/333, 336, 337, 338, 339, 340, 341,
D23/342, 370, 378, 411, 412, 356, 358,
D23/359, 363, 328.351, 369, 351

CPC F24H 3/00; F24H 3/0411; F24H 3/0417;
F24H 9/0063; F24H 9/0073; F24H 9/02;
F24H 3/082; F24H 9/2071; F24H 3/002;
F24H 3/02; F24H 3/04; F04D 17/04;
F04D 25/08; F04D 25/10; F04D 5/00;
H05B 3/008

See application file for complete search history.

(56) **References Cited**

U.S. PATENT DOCUMENTS

D226,379 S * 2/1973 Stut D23/337
D238,365 S * 1/1976 Mariol et al. D23/335

D246,252 S * 11/1977 Schade D23/335
D282,000 S * 12/1985 Madl D23/364
D296,583 S * 7/1988 Barradas D23/337
D314,819 S * 2/1991 Thompson D23/364
D380,254 S * 6/1997 Chiang D23/324
D592,740 S * 5/2009 Catrino D23/332
D798,426 S * 9/2017 Zhong D23/330
D873,398 S * 1/2020 Seo D23/364

* cited by examiner

Primary Examiner — Ania Aman

(74) *Attorney, Agent, or Firm* — Novoclaims Patent Services LLC; Mei Lin Wong

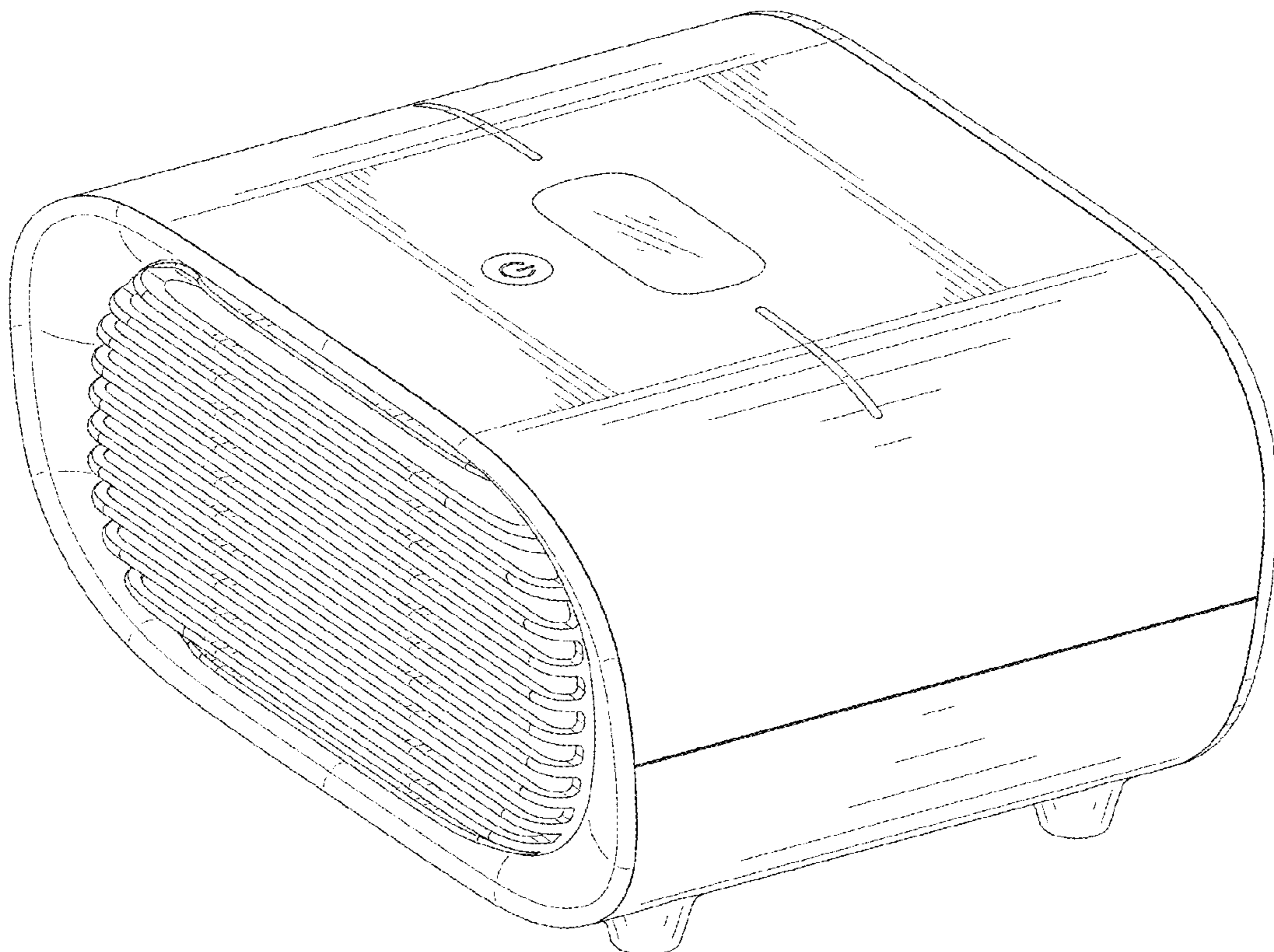
(57) **CLAIM**

The ornamental design for a heater device, as shown and described.

DESCRIPTION

FIG. 1 is a front perspective view of a heater device, showing my new design;
FIG. 2 is a rear perspective view thereof;
FIG. 3 is a front view thereof;
FIG. 4 is a rear view thereof;
FIG. 5 is a left side view thereof;
FIG. 6 is a right side view thereof;
FIG. 7 is a top view thereof, and;
FIG. 8 is a bottom view thereof.

1 Claim, 8 Drawing Sheets



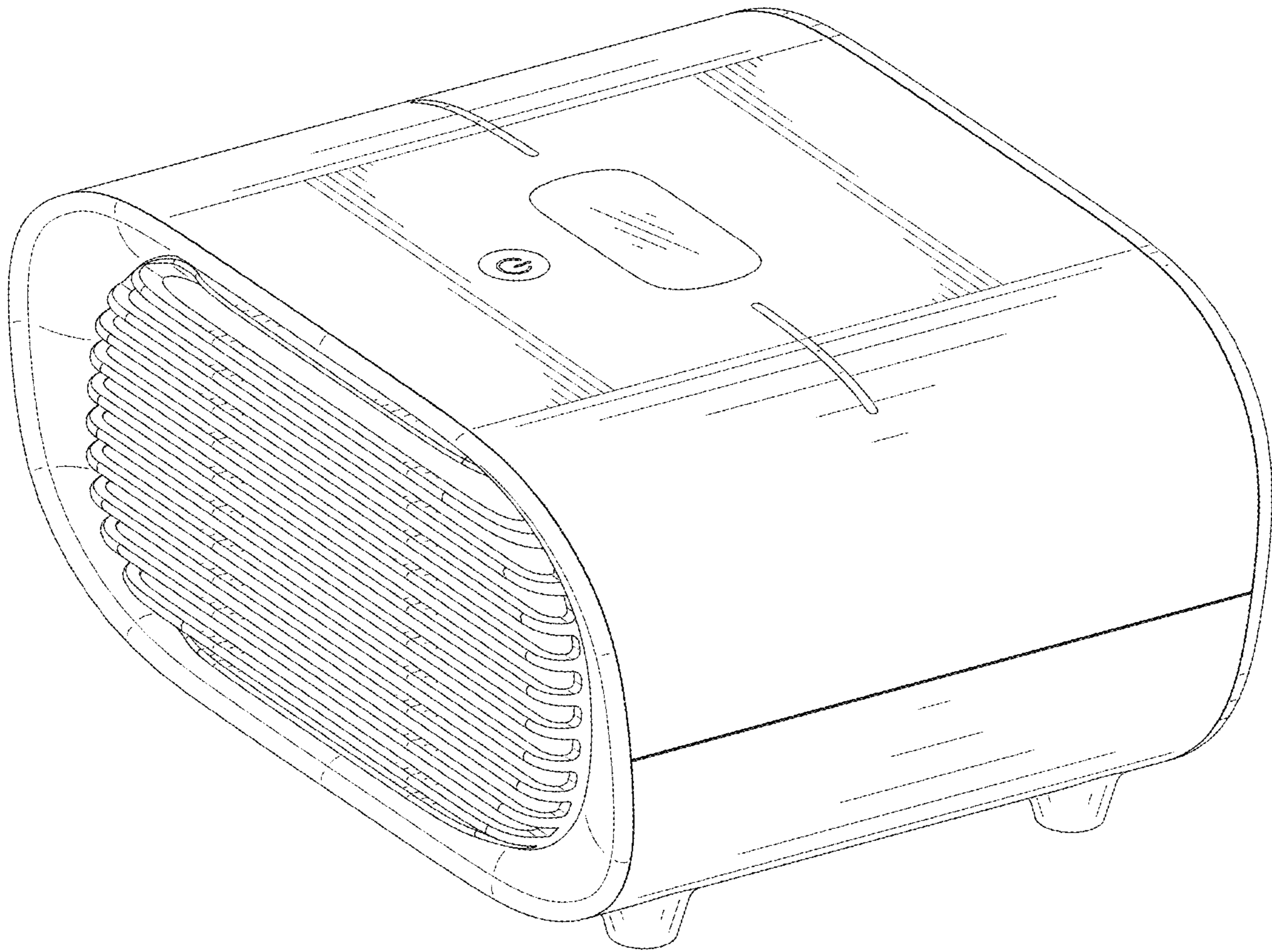


FIG.1

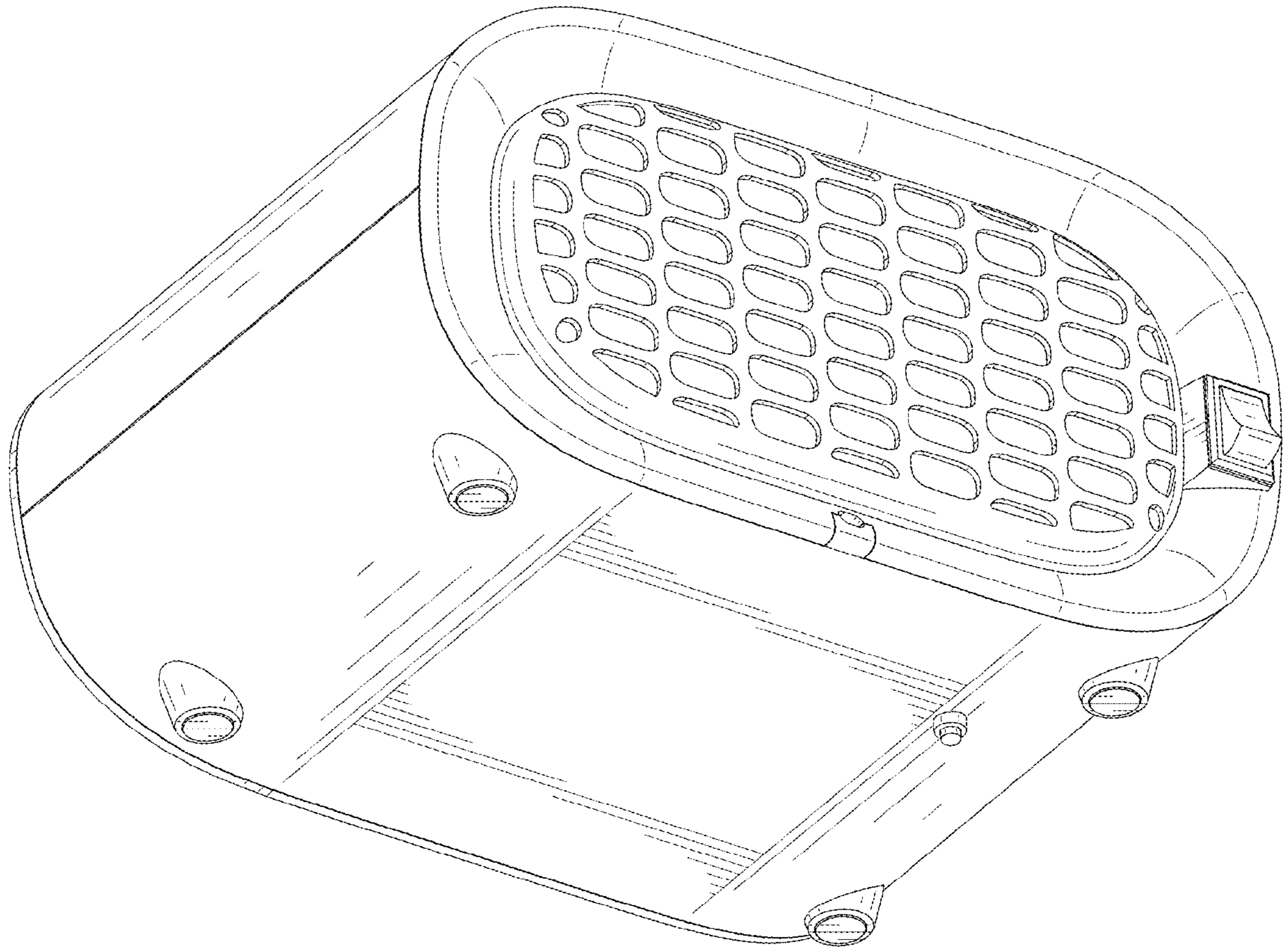


FIG.2

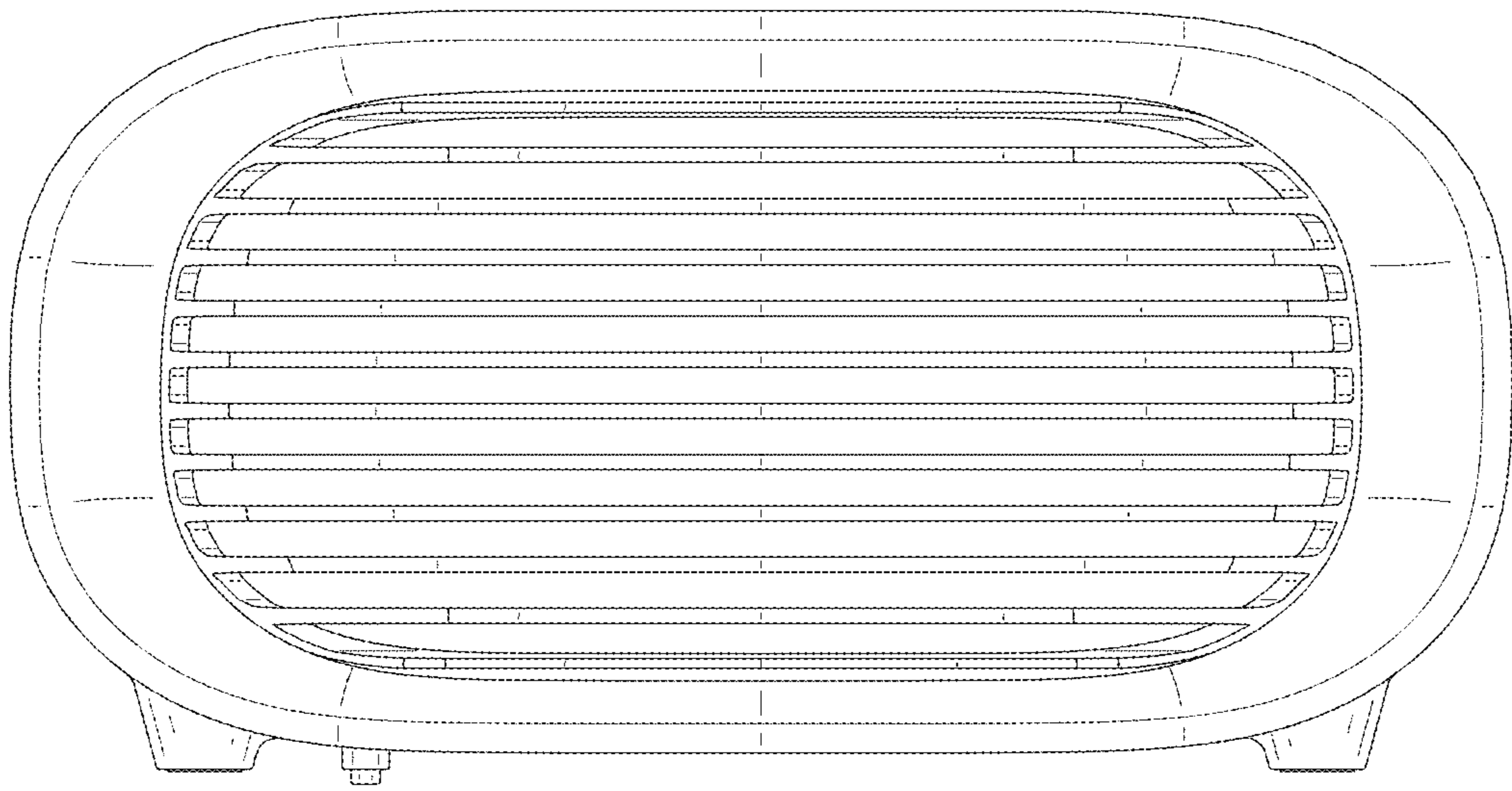


FIG.3

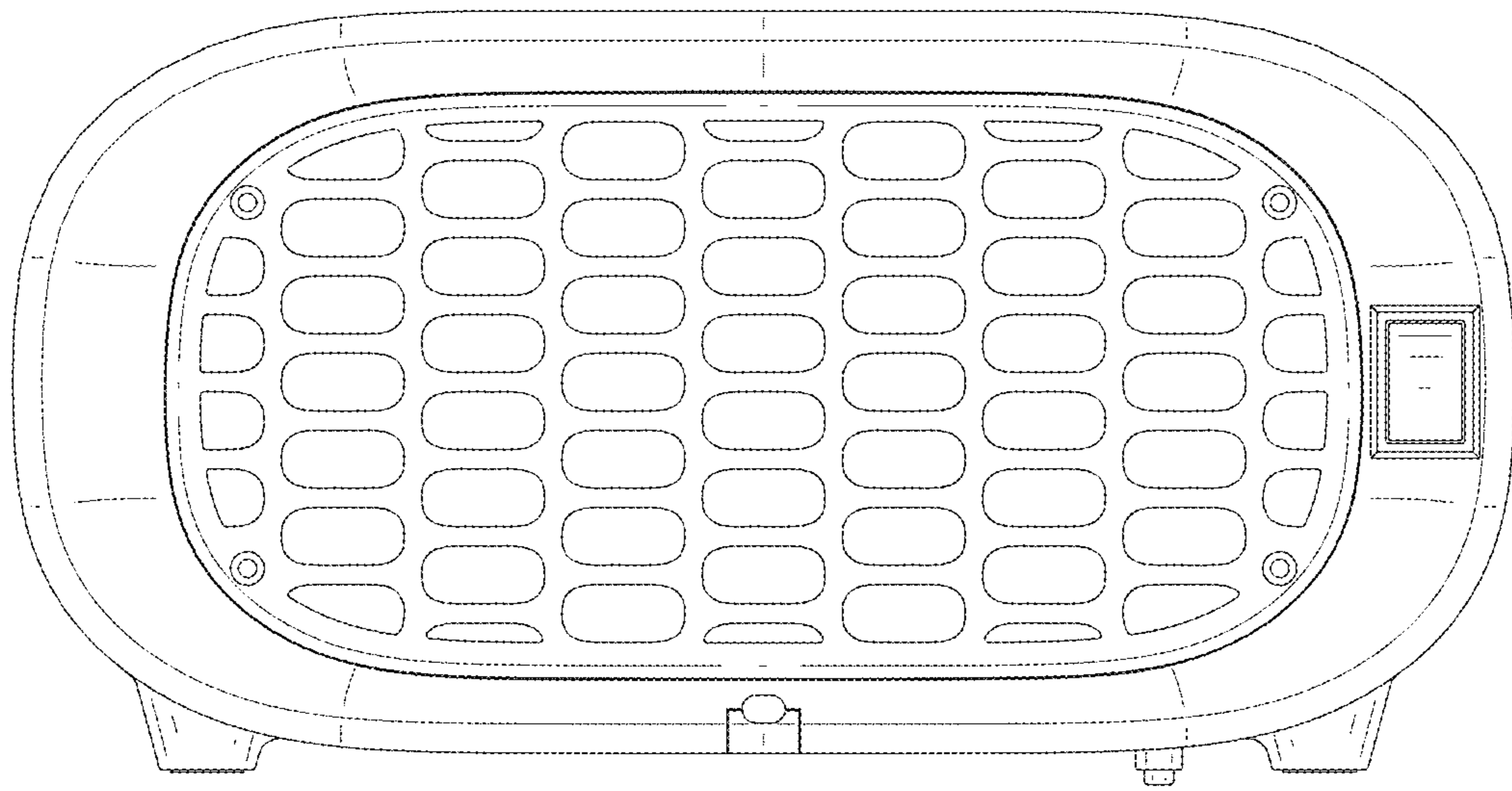


FIG.4

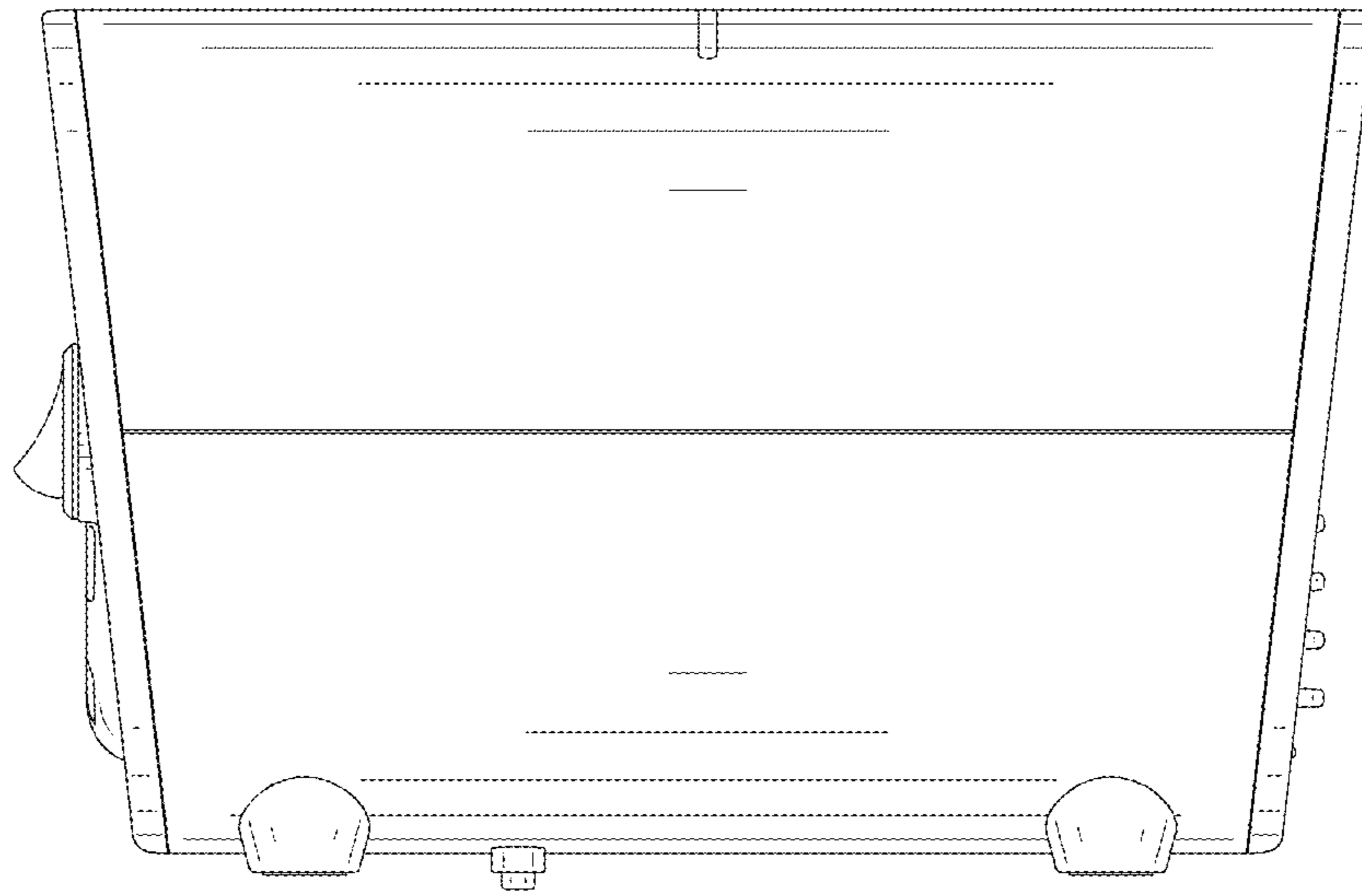


FIG.5

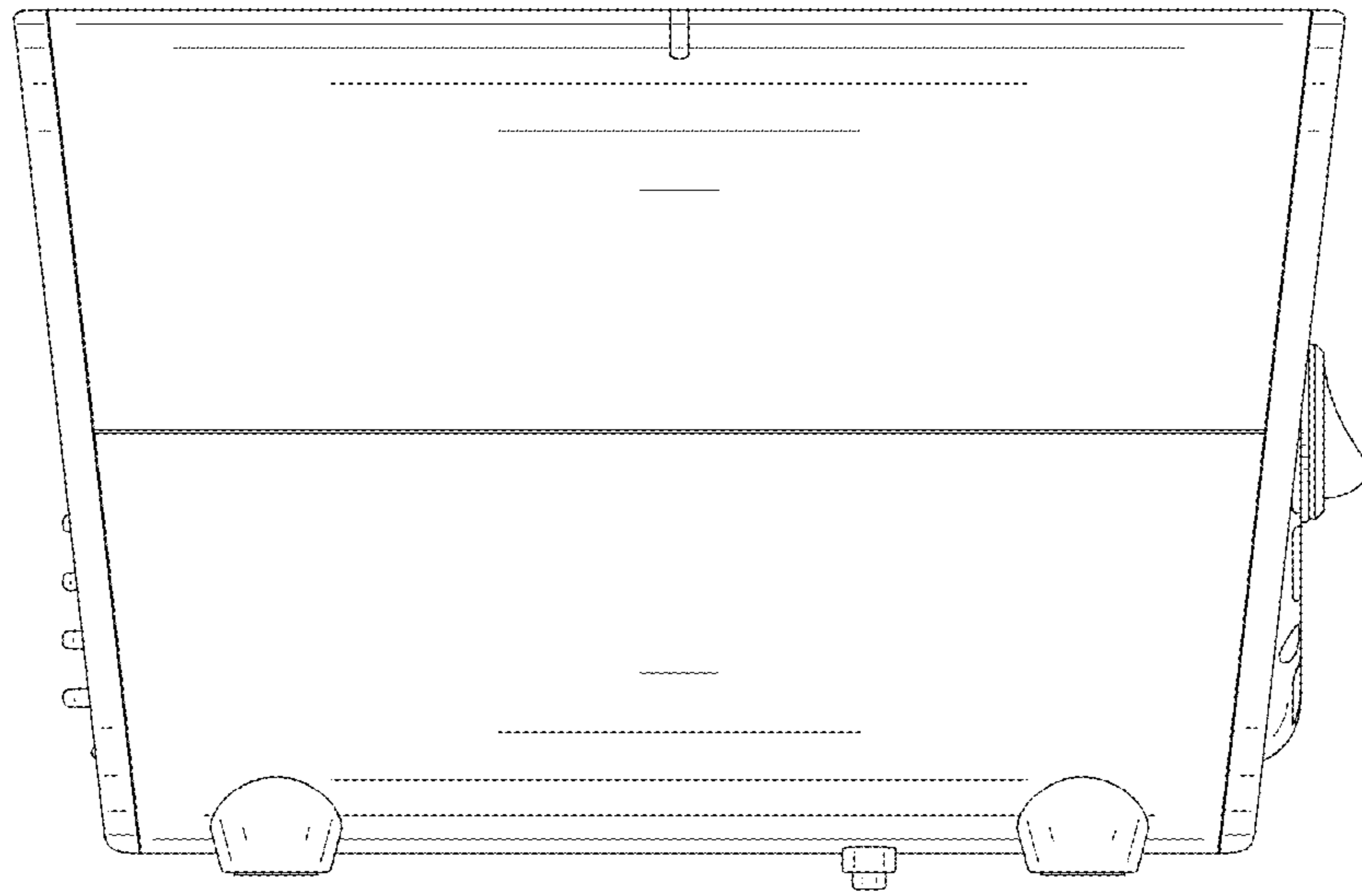


FIG.6

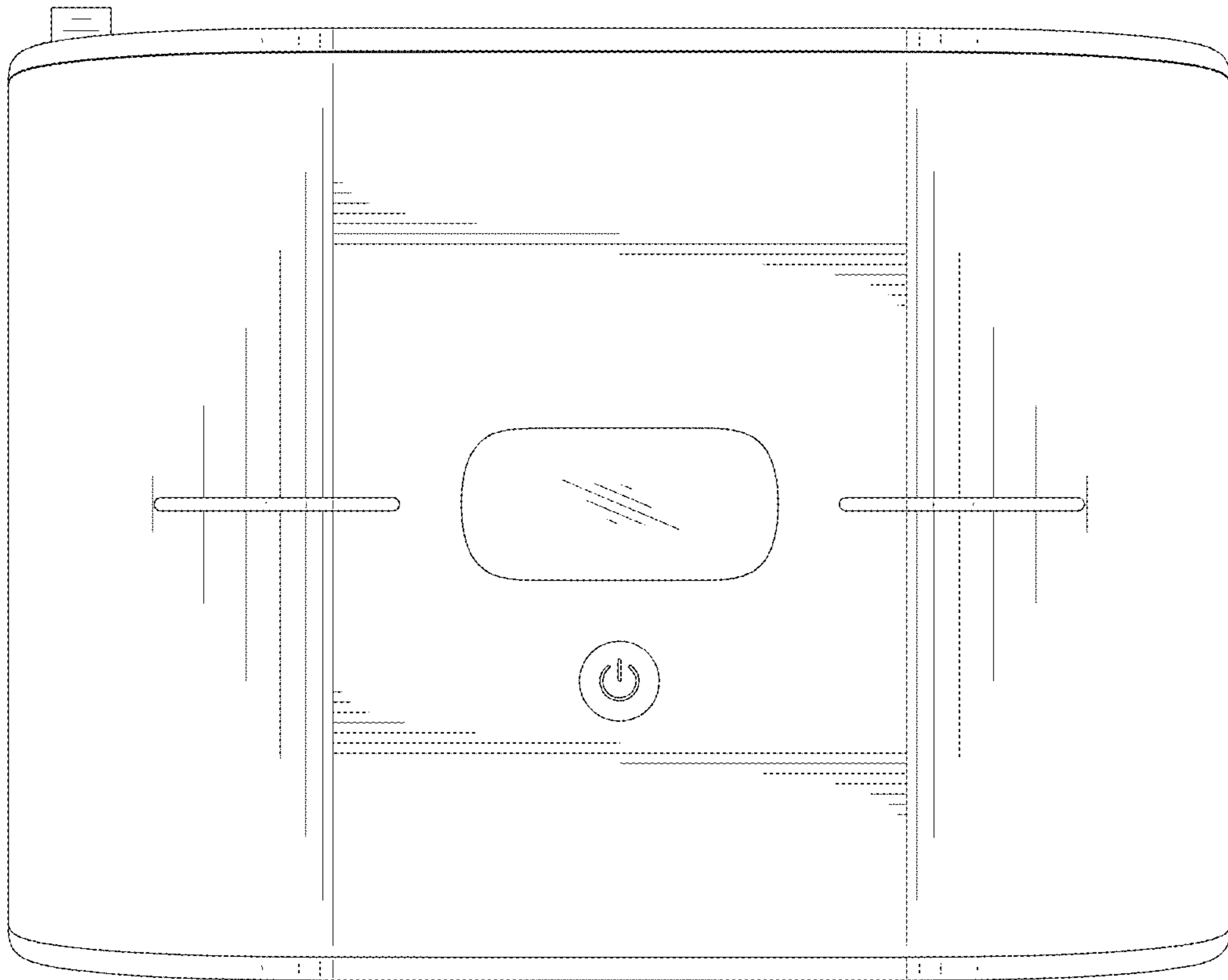


FIG.7

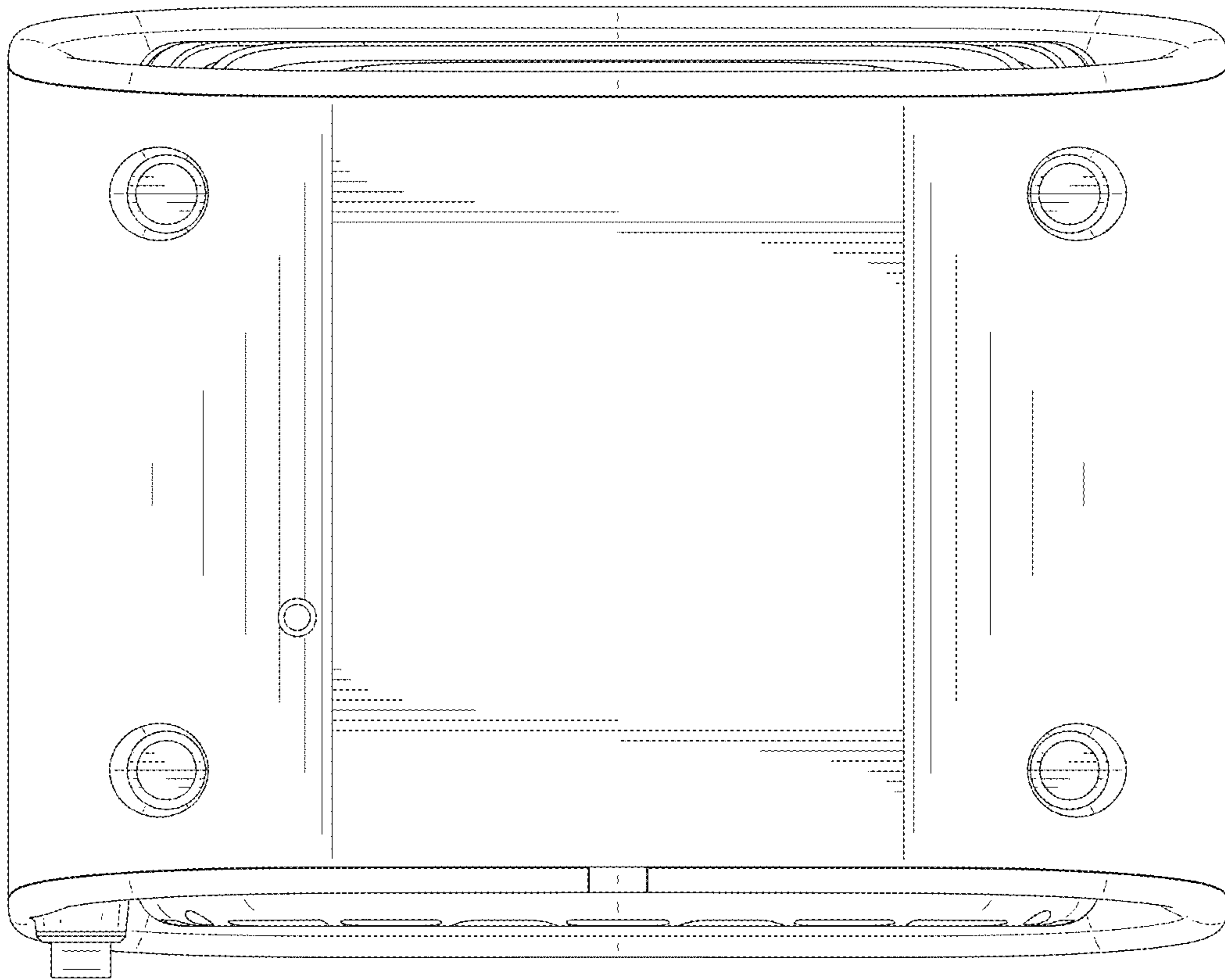


FIG.8