



US00D884127S

(12) **United States Design Patent**  
**Massaud**

(10) **Patent No.:** **US D884,127 S**

(45) **Date of Patent:** **\*\* May 12, 2020**

(54) **BATHROOM FITTING**

5/105; E03D 9/002; E03D 9/007; E03B  
1/048; E03B 7/006; E03B 7/074; E03B  
7/075; E03B 7/078

(71) Applicant: **Hansgrohe SE**, Schiltach (DE)

See application file for complete search history.

(72) Inventor: **Jean-Marie Massaud**, Paris (FR)

(56) **References Cited**

(\*\*) Term: **15 Years**

U.S. PATENT DOCUMENTS

(21) Appl. No.: **35/506,537**

D789,492 S *	6/2017	Dube .....	D23/254
D799,645 S *	10/2017	Eads .....	D23/254
D827,101 S *	8/2018	Spangler .....	D23/254
D827,103 S *	8/2018	Spangler .....	D23/254
D827,104 S *	8/2018	Spangler .....	D23/254
D865,132 S *	10/2019	Hoogendoorn .....	D23/254
D870,246 S *	12/2019	Spangler .....	D23/254

(22) Filed: **Jan. 21, 2019**

(80) **Hague Agreement Data**

Int. Filing Date: **Jan. 21, 2019**

Int. Reg. No.: **DM/200467**

Int. Reg. Date: **Jan. 21, 2019**

Int. Reg. Pub. Date: **Apr. 5, 2019**

\* cited by examiner

*Primary Examiner* — Khawaja Anwar

(51) **LOC (12) Cl.** ..... **23-02**

(57) **CLAIM**

(52) **U.S. Cl.**

The ornamental design for a bathroom fitting, as shown and described.

USPC ..... **D23/254**

**DESCRIPTION**

(58) **Field of Classification Search**

USPC ..... D23/254, 233–249, 255, 259

CPC ..... A47K 13/26; A47K 10/18; A47K 10/48;

A47K 13/30; A47K 1/14; A47K 3/001;

A47K 3/007; A47K 3/02; A47K 3/04;

A47K 3/06; A47K 3/122; A47K 3/20;

A47K 4/00; E03C 1/04; E03C 1/2302;

E03C 1/02; E03C 1/0404; E03C 1/0409;

E03C 1/044; E03C 1/055; E03C 1/057;

E03C 1/182; E03C 1/262; E03C 1/326;

E03C 2001/2311; E03C 2201/90; E03D

9/00; E03D 11/11; E03D 13/005; E03D

1. Bathroom fitting

FIG. 1.1 is a front perspective view of a bathroom fitting, showing my new design;

FIG. 1.2 is a front elevation view thereof;

FIG. 1.3 is a rear elevation view thereof;

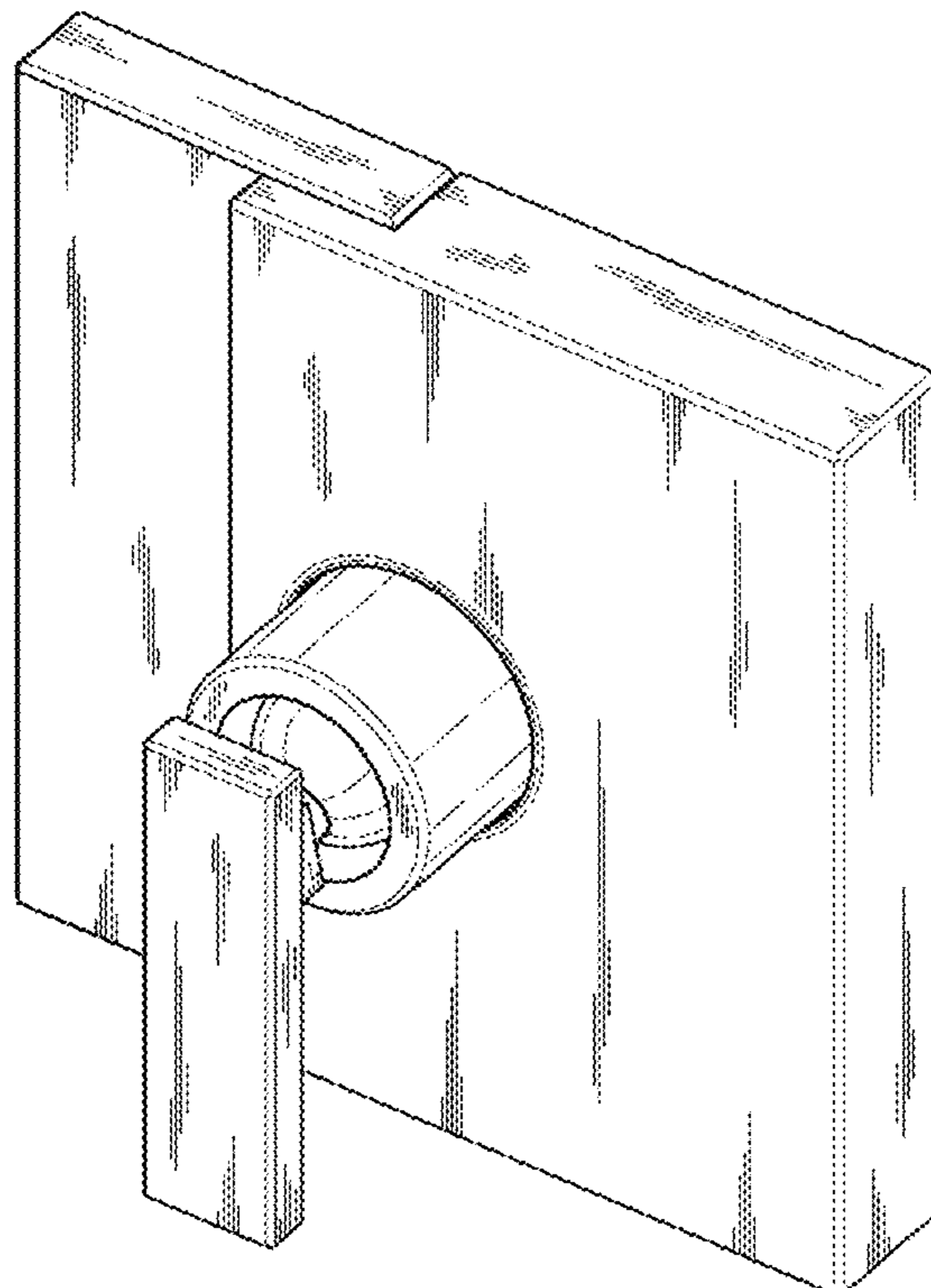
FIG. 1.4 is a side elevation view thereof;

FIG. 1.5 is another side elevation view thereof;

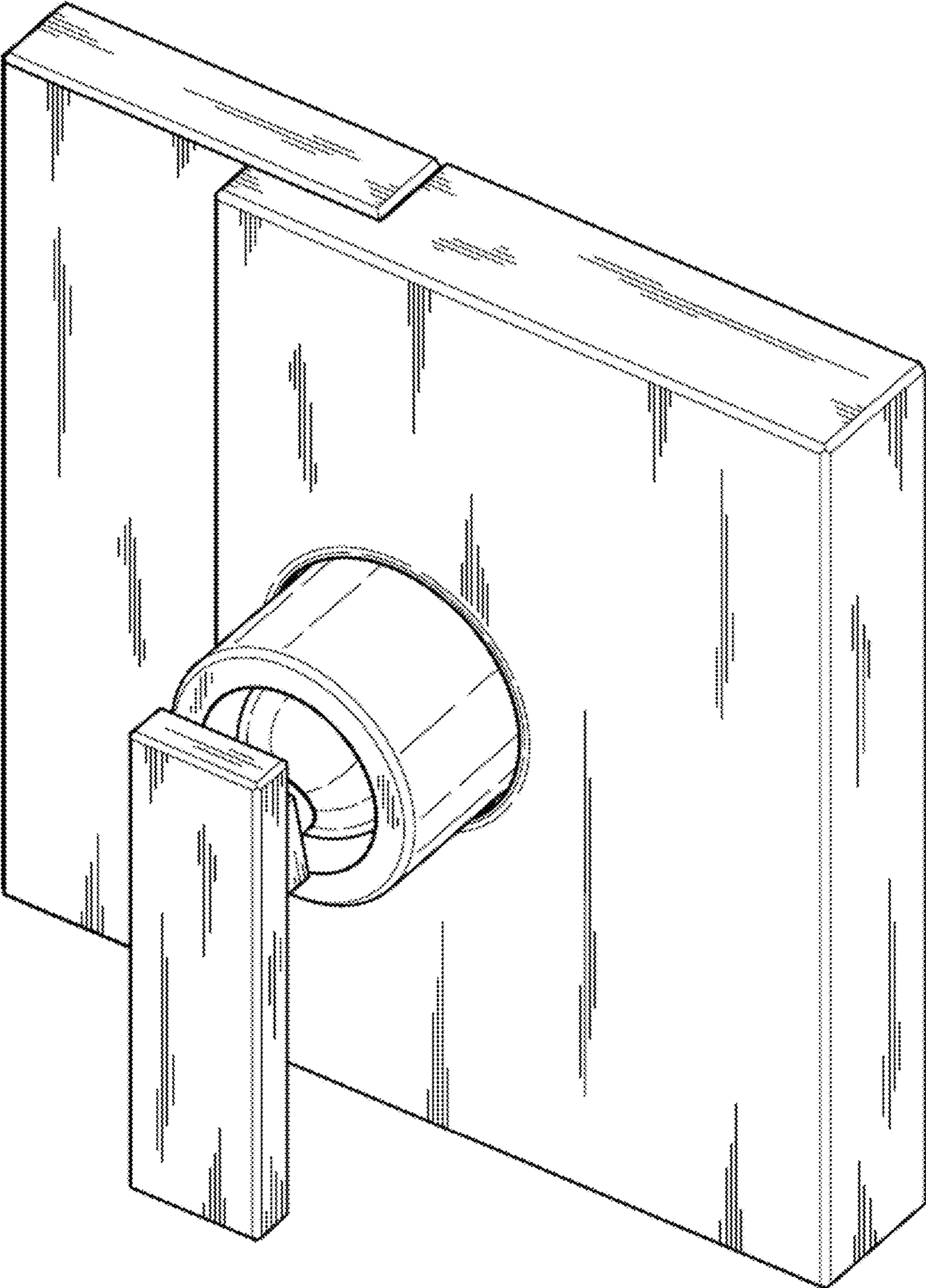
FIG. 1.6 is a top plan view thereof; and

FIG. 1.7 is a bottom plan view thereof.

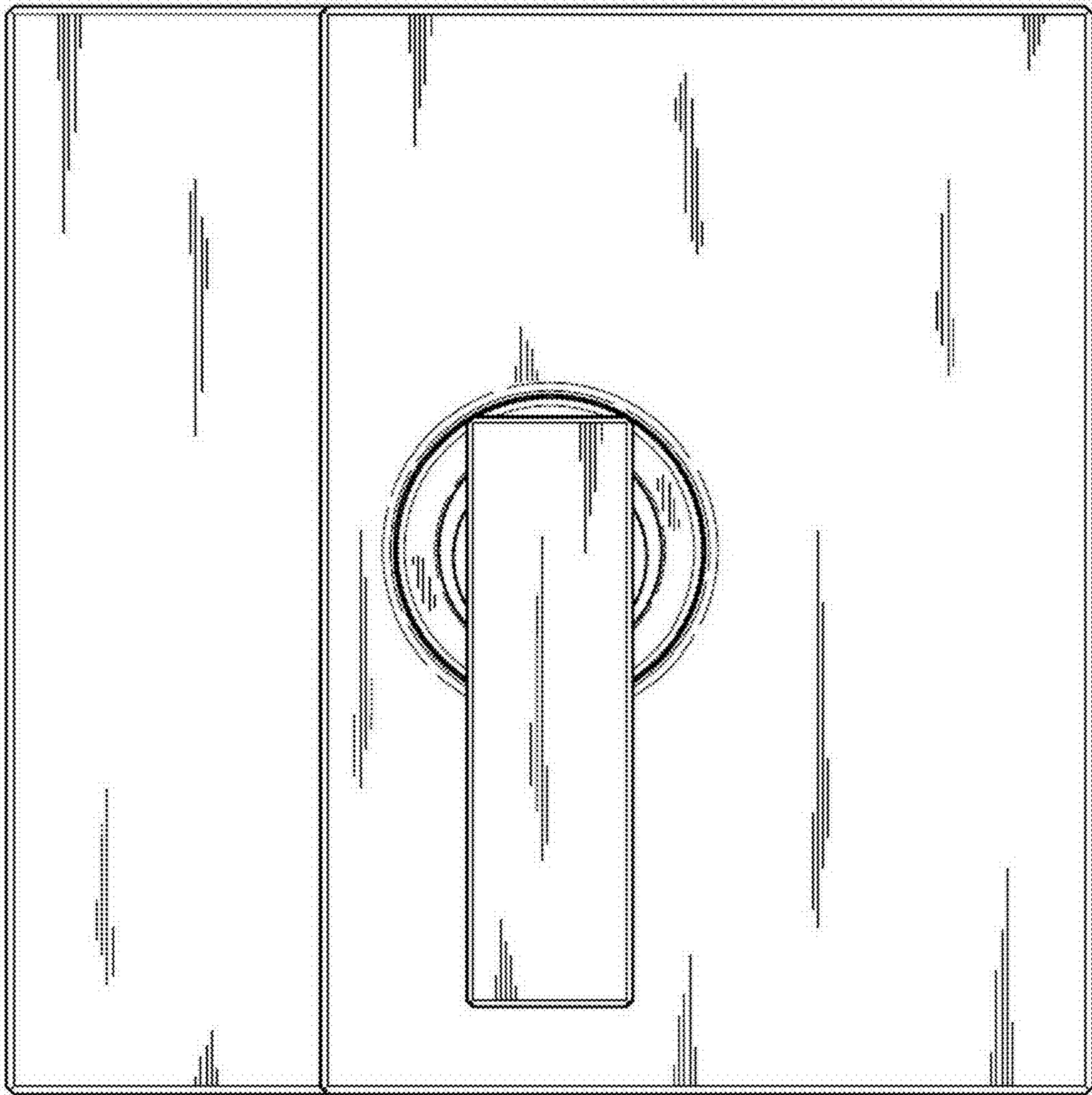
**1 Claim, 7 Drawing Sheets**



1.1

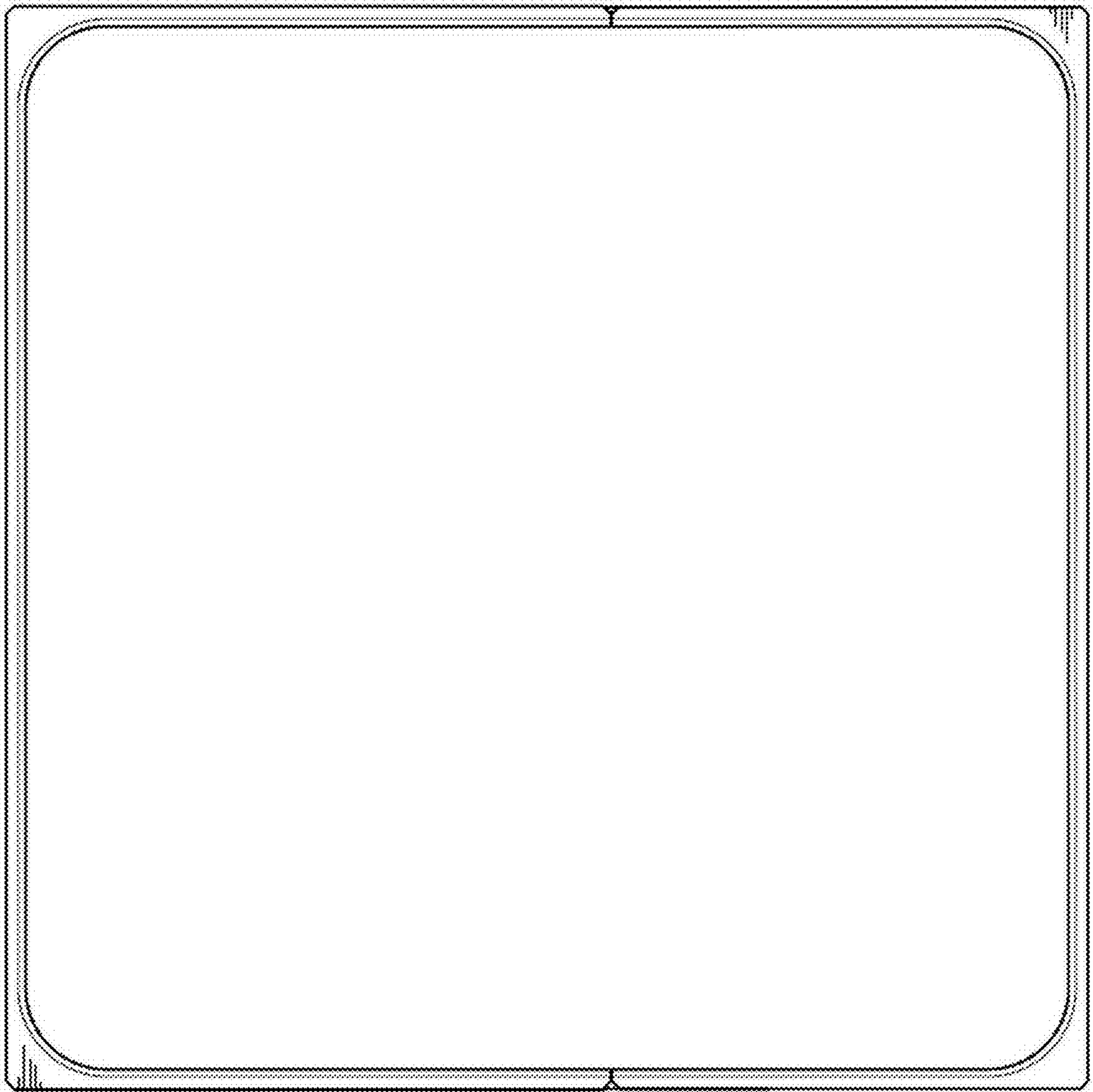


1.2

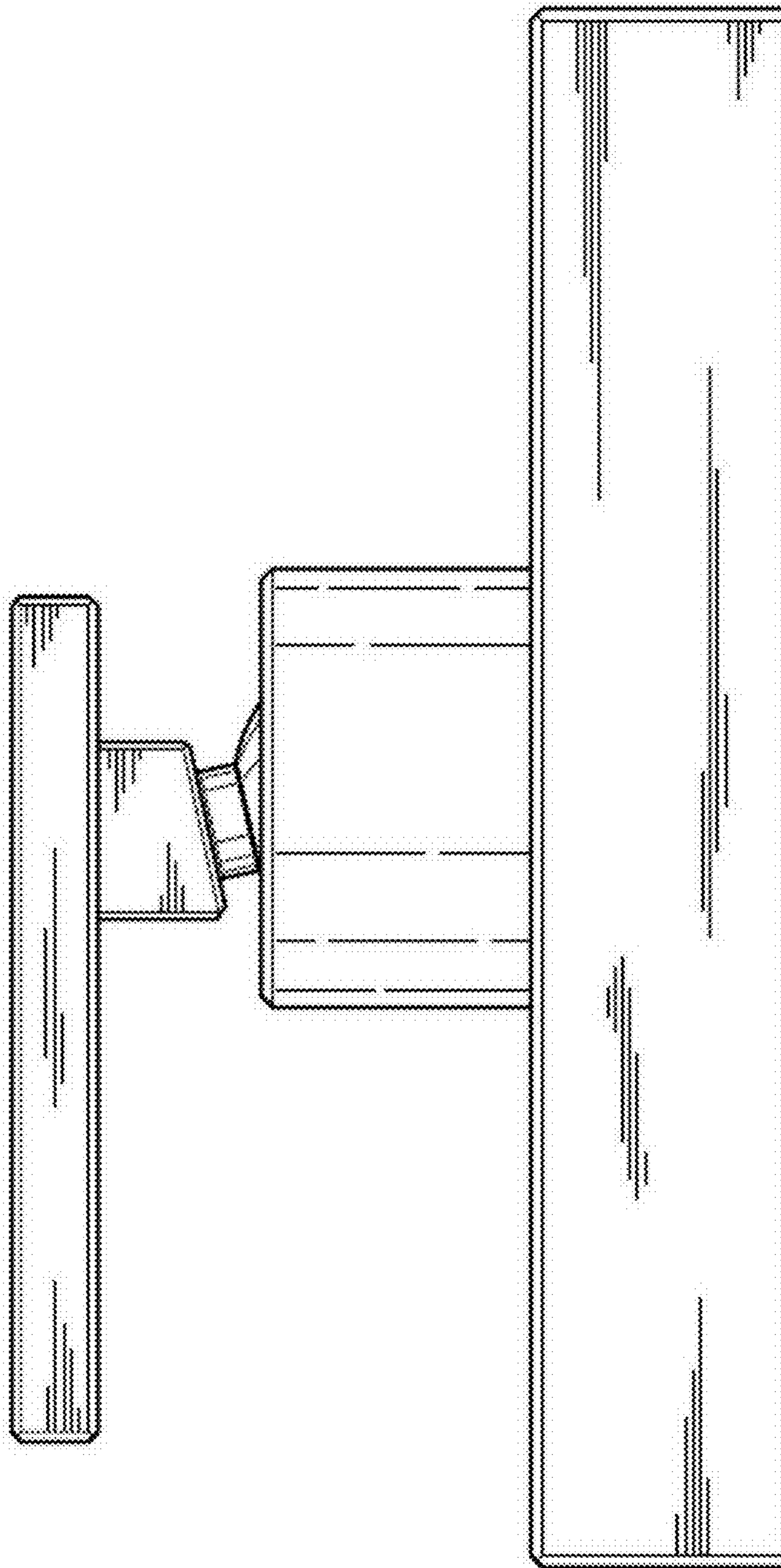




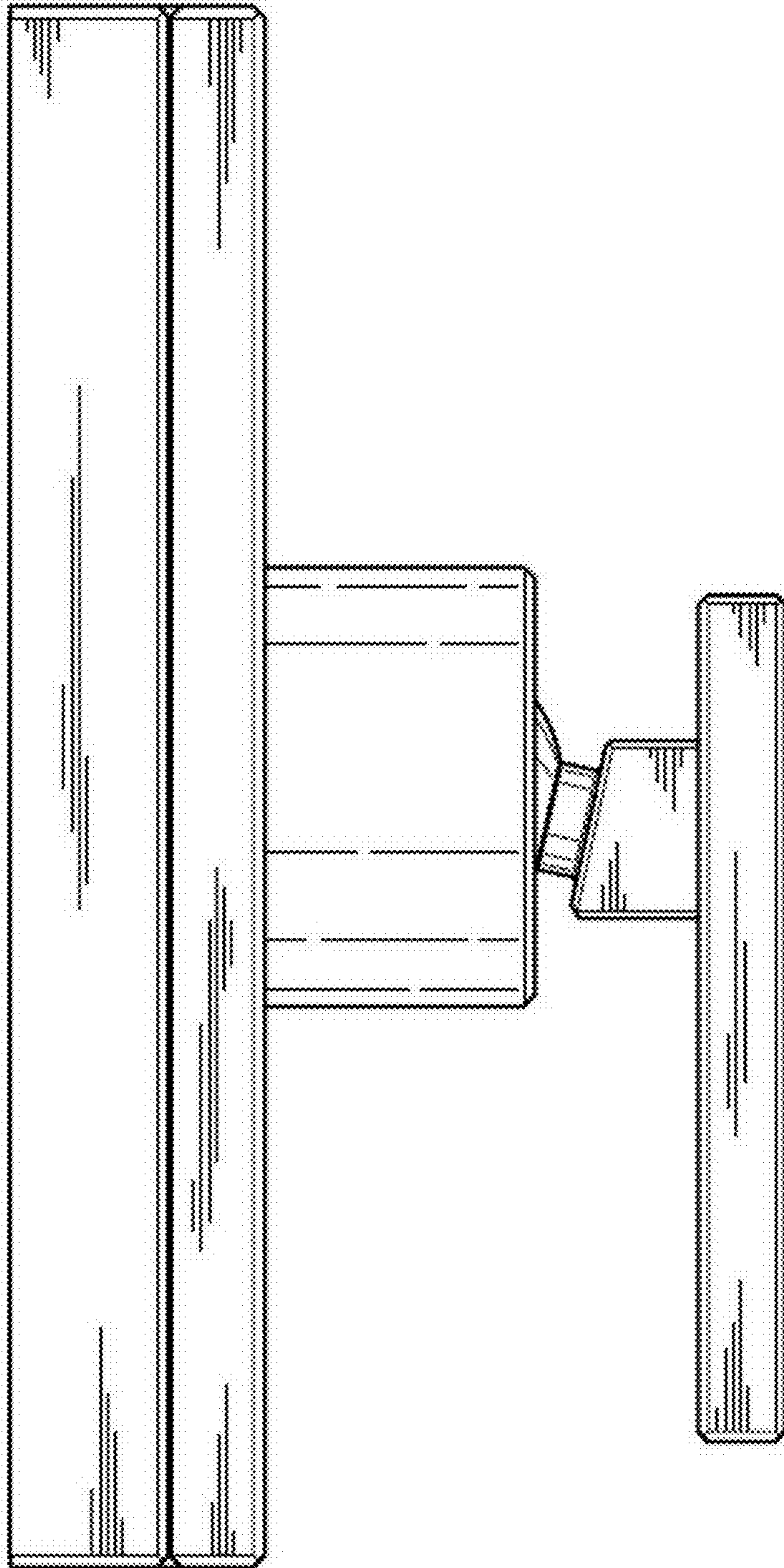
1.3



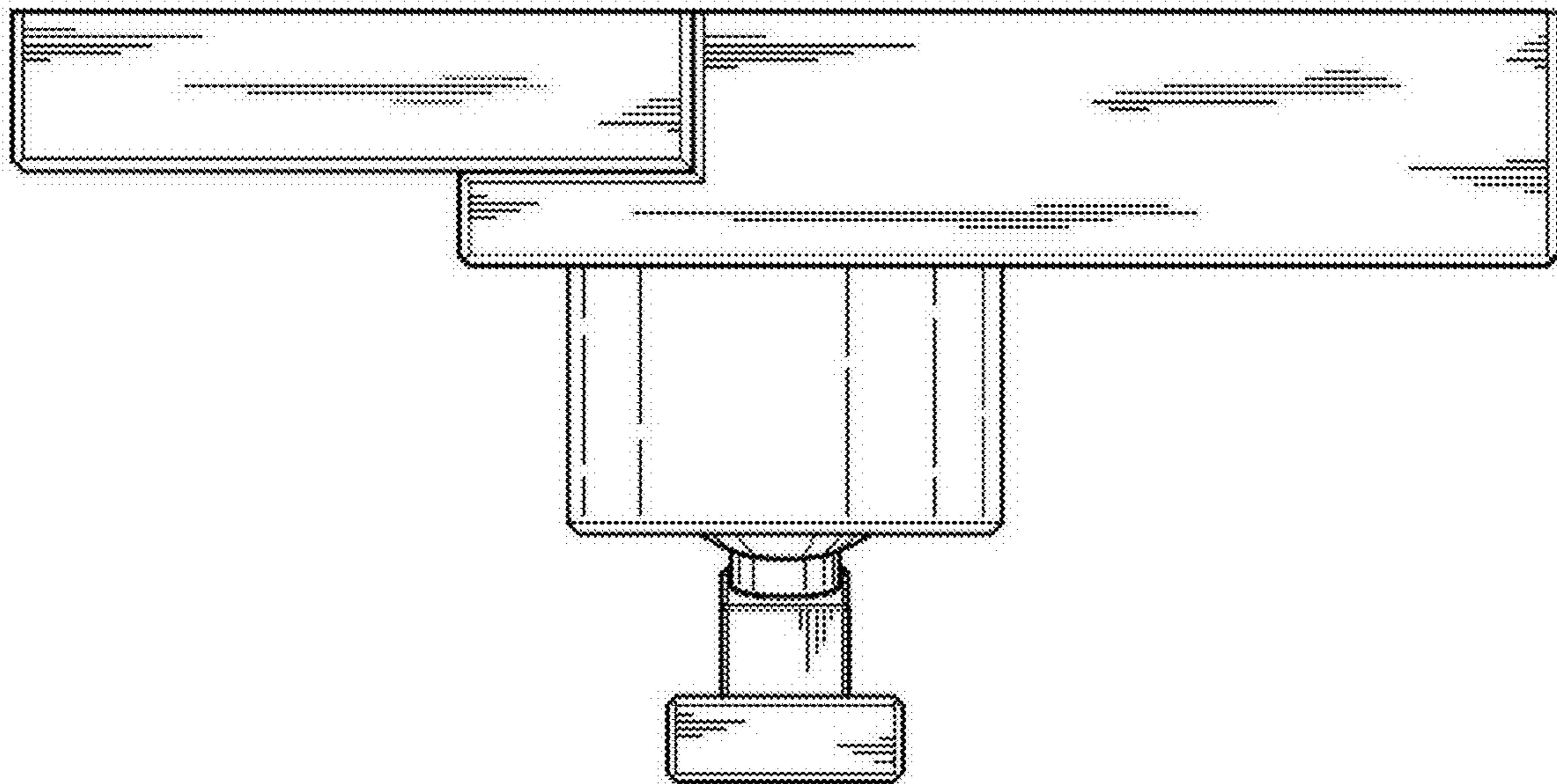
1.4



1.5



1.6



1.7

