



US00D884125S

(12) **United States Design Patent**
Morefield et al.

(10) **Patent No.:** **US D884,125 S**

(45) **Date of Patent:** **** May 12, 2020**

(54) **REGULATOR BONNET**

D820,393 S 6/2018 Tickle
D835,756 S * 12/2018 Auxter D23/249
10,145,484 B2 * 12/2018 Buermann F16K 35/10

(71) Applicant: **Engineered Controls International, LLC**, Elon, NC (US)

(72) Inventors: **Patrick N. Morefield**, Burlington, NC (US); **Kevin Jordan**, Gibsonville, NC (US)

(73) Assignee: **Engineered Controls International, LLC**, Elon, NC (US)

(**) Term: **15 Years**

(21) Appl. No.: **29/644,683**

(22) Filed: **Apr. 19, 2018**

(51) **LOC (12) Cl.** **23-01**

(52) **U.S. Cl.**
USPC **D23/249**

(58) **Field of Classification Search**
USPC D23/233, 235, 237, 241-249, 260, 206;
251/309; 137/232
CPC F16K 27/12; F16K 5/0663; F16K 15/205;
F16K 27/067; F16K 15/141; F16K
15/144; F16K 15/148; F16K 15/18; B60C
29/066

See application file for complete search history.

(56) **References Cited**

U.S. PATENT DOCUMENTS

D223,156 S * 3/1972 Campbell Horatio D23/260
4,344,456 A 8/1982 Hostetler
D283,740 S 5/1986 Wiesinger, II et al.
D713,007 S * 9/2014 Boyer D23/235
D732,642 S 6/2015 Morgan et al.

OTHER PUBLICATIONS

Rego L-500 Catalog, LP-Gas & Anhydrous Ammonia Equipment,
dated at least as early as 2014.
U.S. Appl. No. 29/636,001, filed Feb. 5, 2018.

* cited by examiner

Primary Examiner — Cynthia Ramirez

Assistant Examiner — Gino Colan

(74) *Attorney, Agent, or Firm* — Neal, Gerber &
Eisenberg LLP

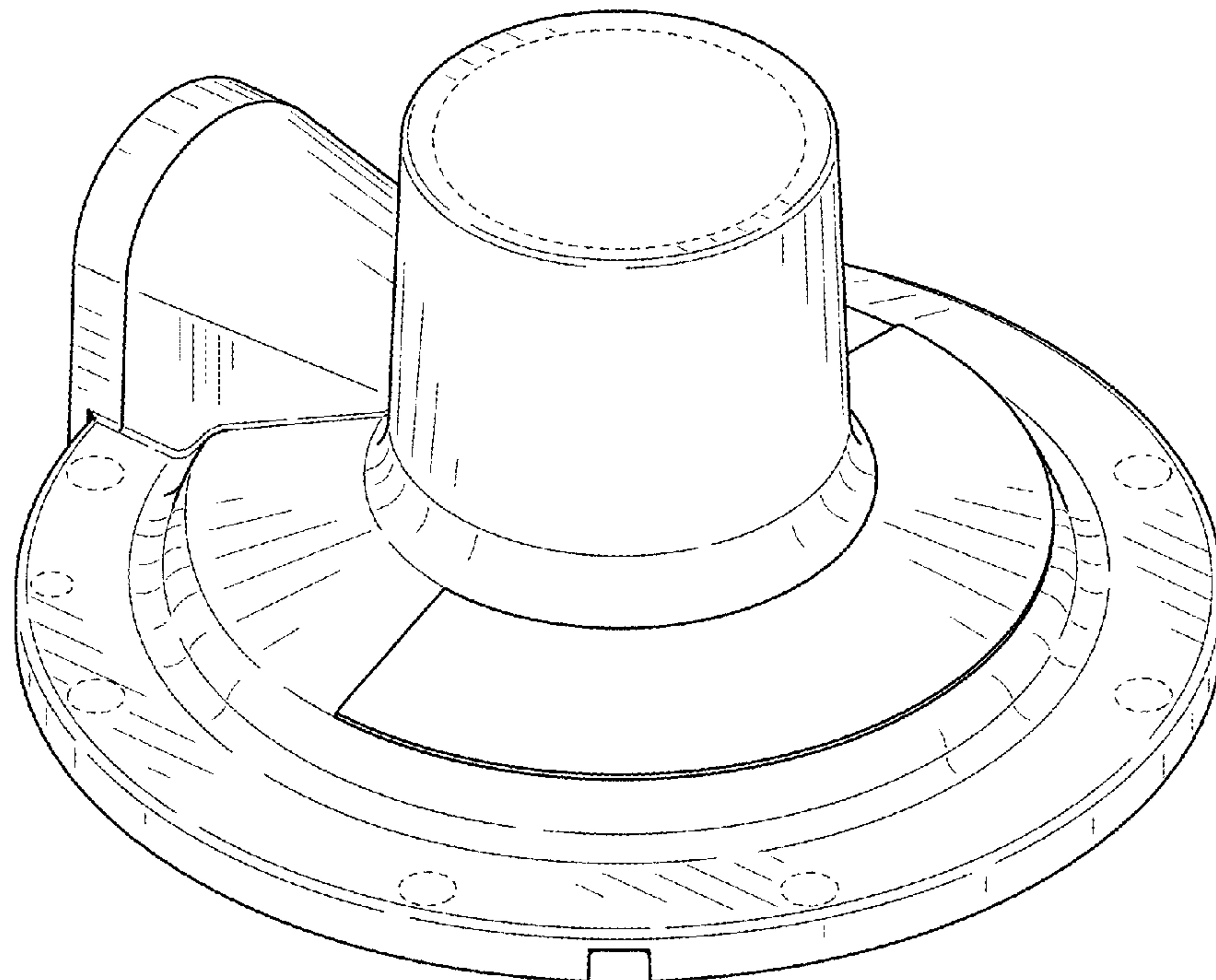
(57) **CLAIM**

The ornamental design for a regulator bonnet, as shown and described.

DESCRIPTION

FIG. 1 is a front, left side perspective of the regulator bonnet showing our new design;
FIG. 2 is a left side elevational view thereof;
FIG. 3 is a right side elevational view thereof;
FIG. 4 is a front elevational view thereof;
FIG. 5 is a rear elevational view thereof;
FIG. 6 is a top plan view thereof;
FIG. 7 is a bottom plan view thereof; and,
FIG. 8 is a cross-sectional view along the line 8-8 in FIG. 6.
The broken lines shown in the figures are for the purpose of illustrating portions of the regulator bonnet which form no part of the claimed design.

1 Claim, 6 Drawing Sheets



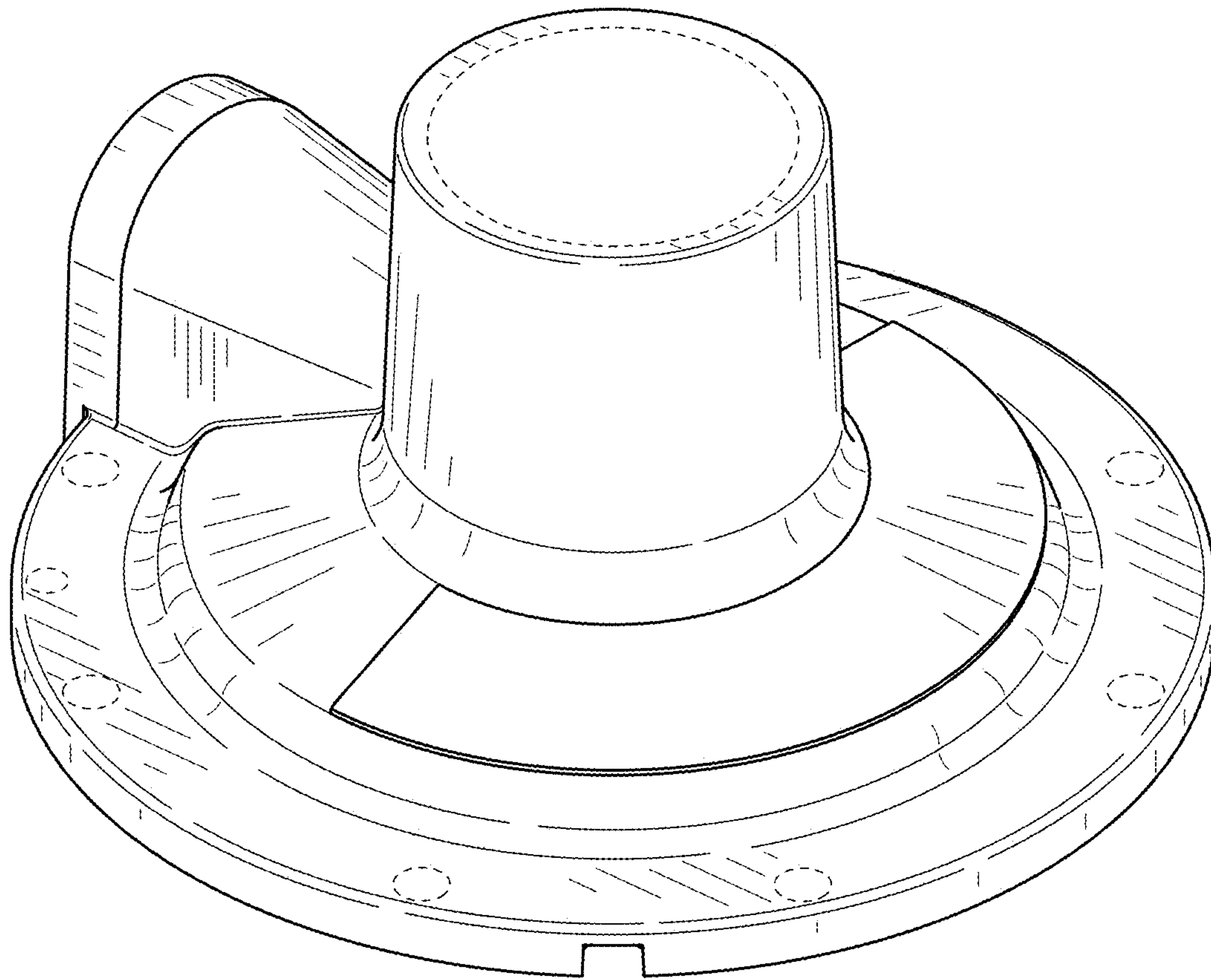


FIG. 1

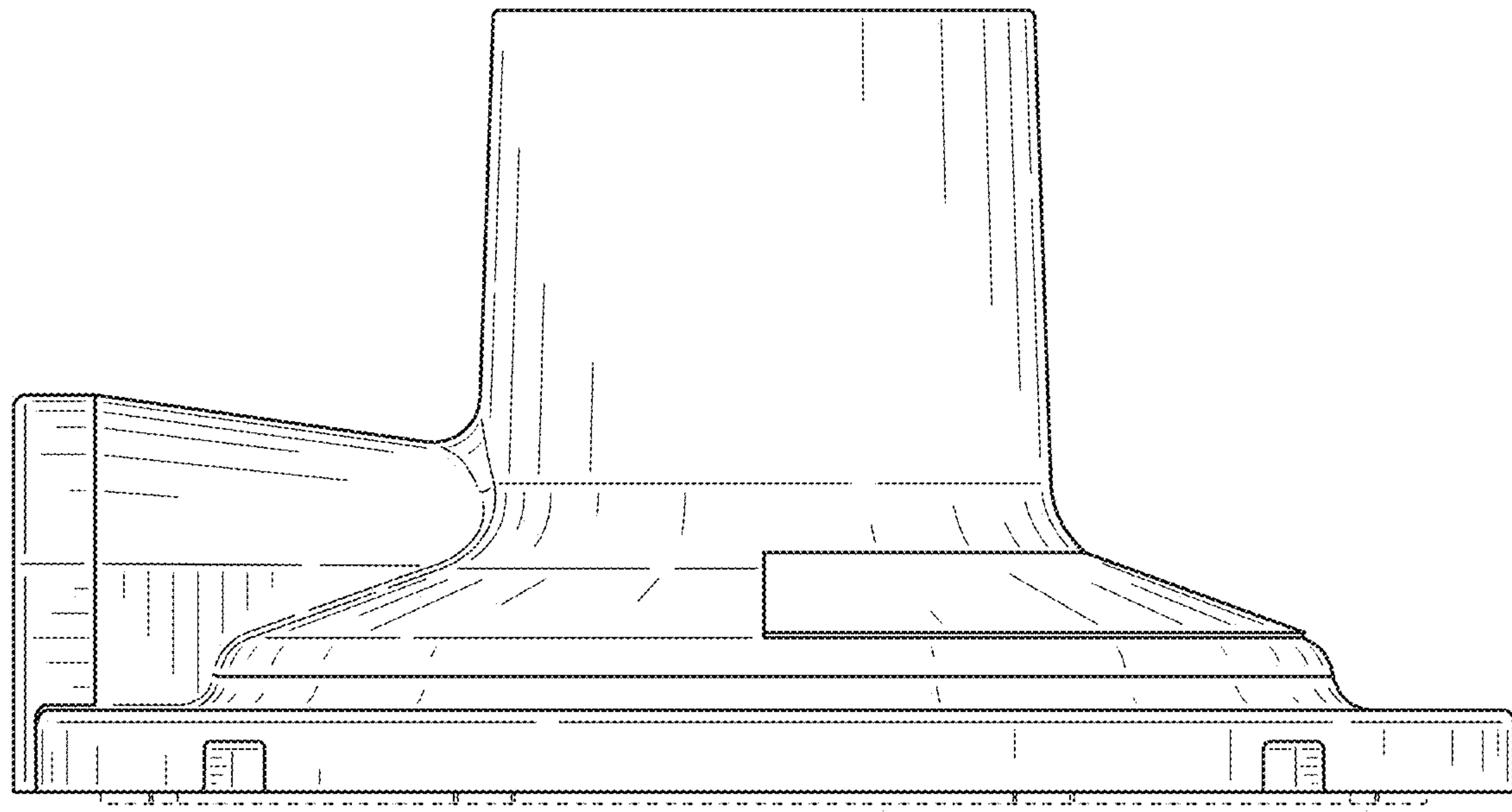


FIG. 2

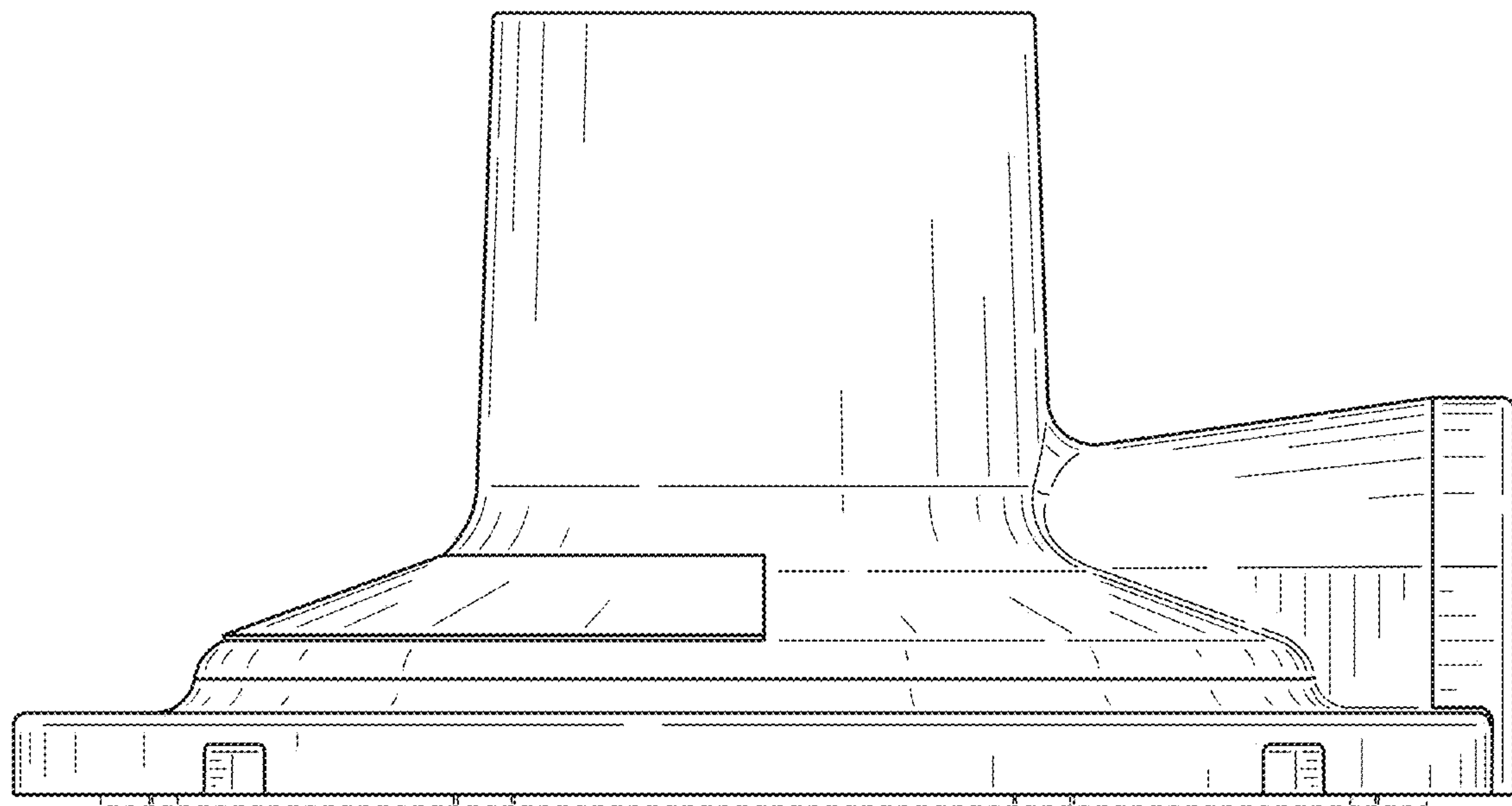


FIG. 3

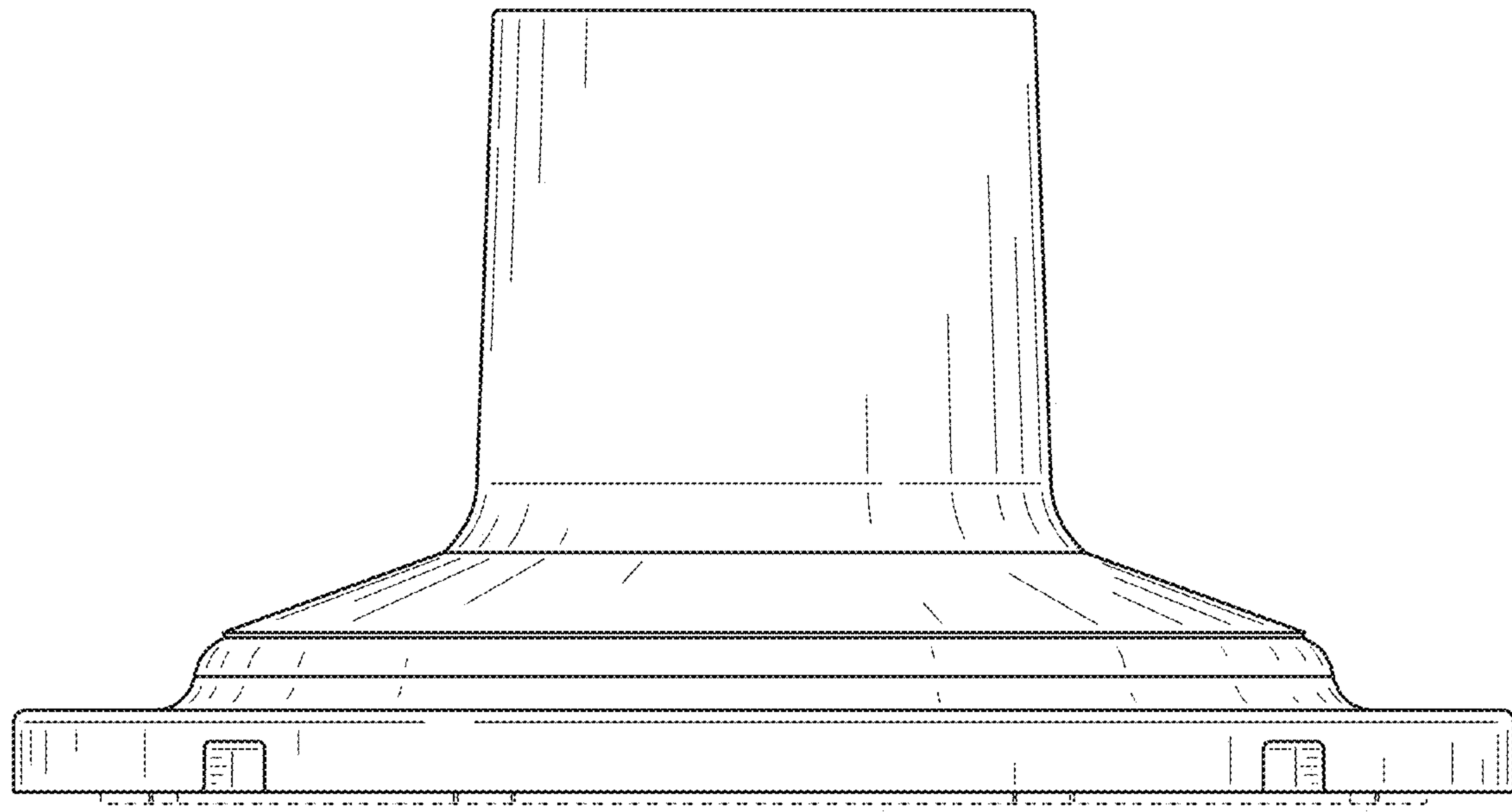


FIG. 4

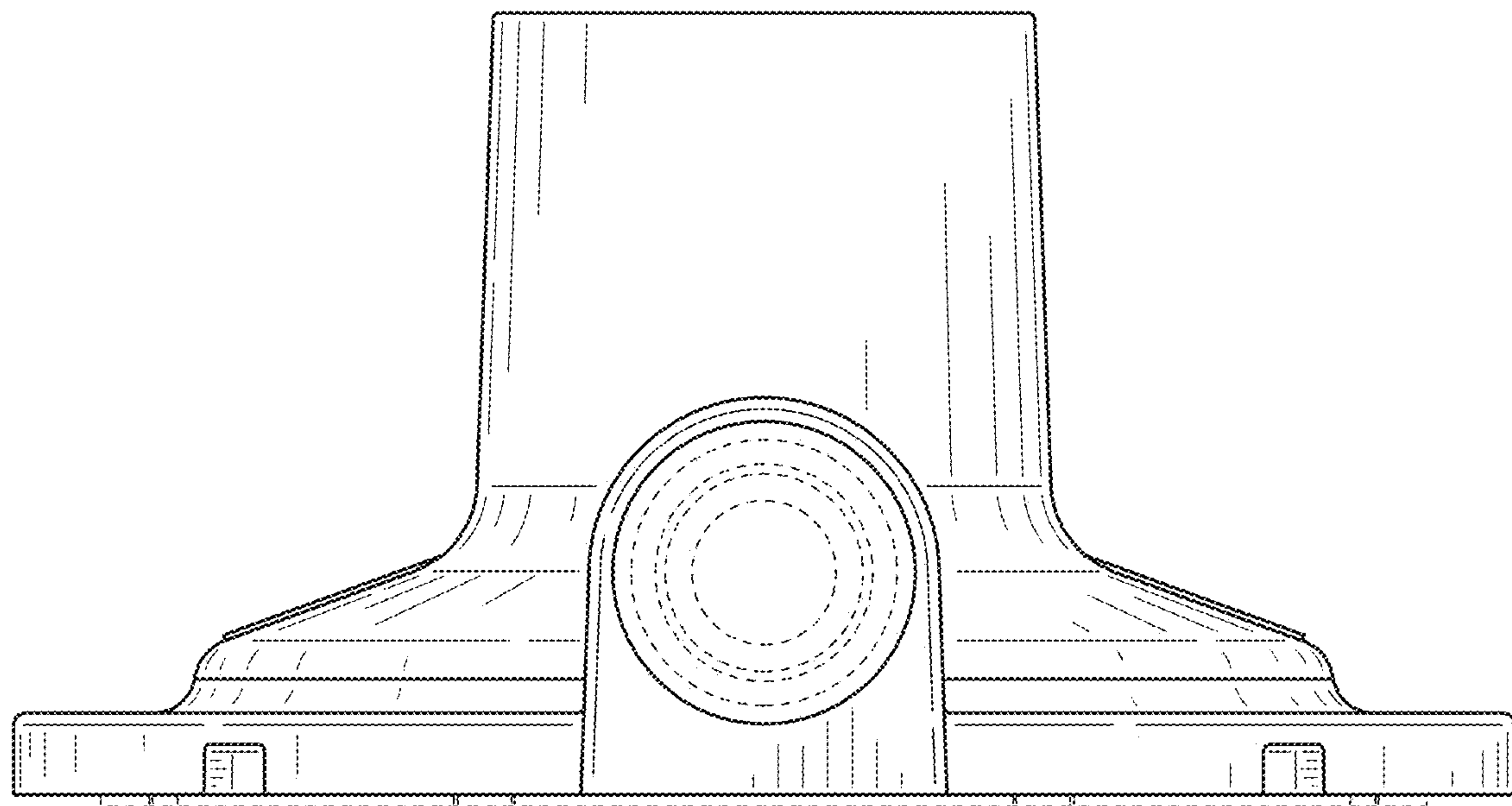


FIG. 5

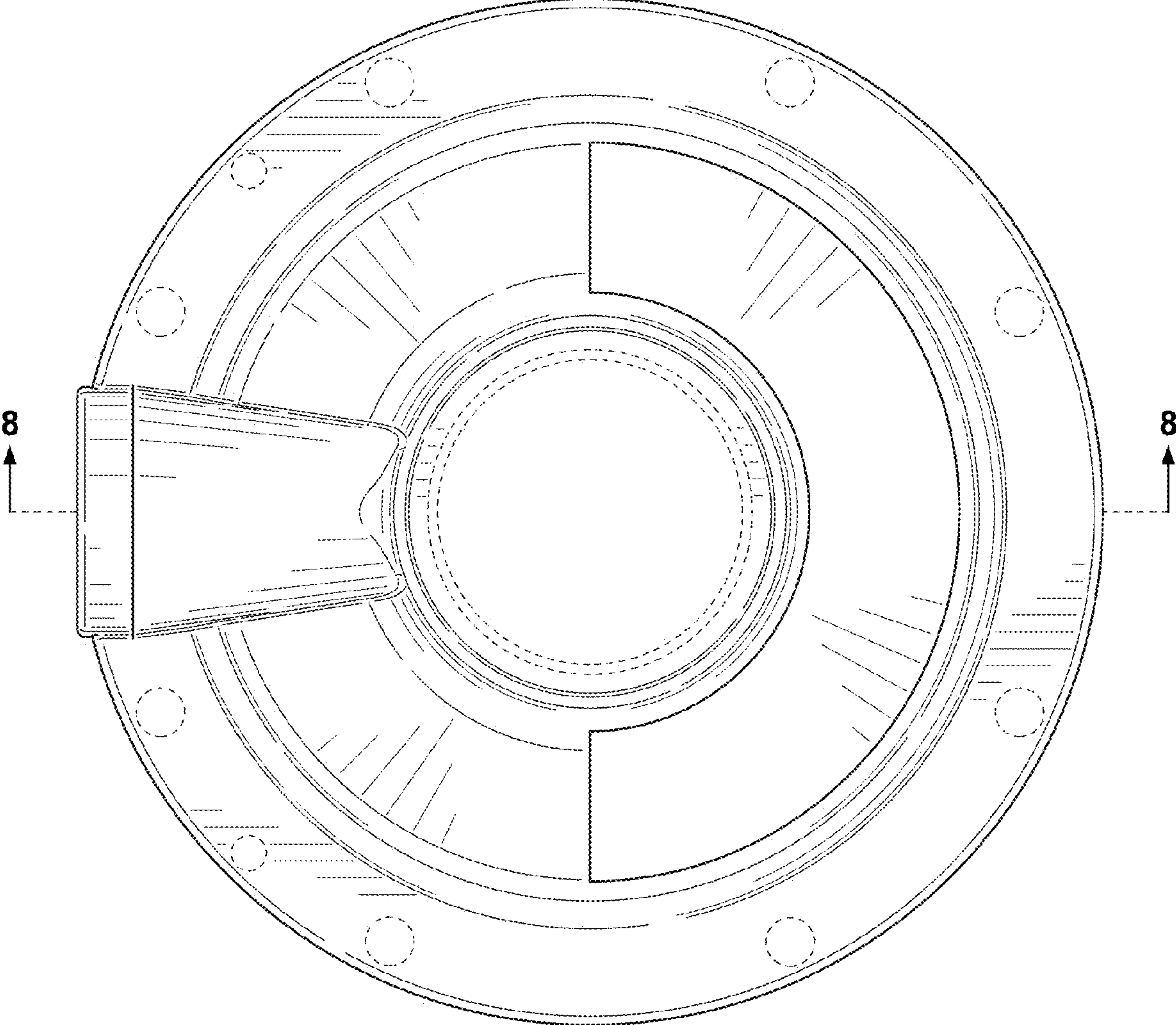


FIG. 6

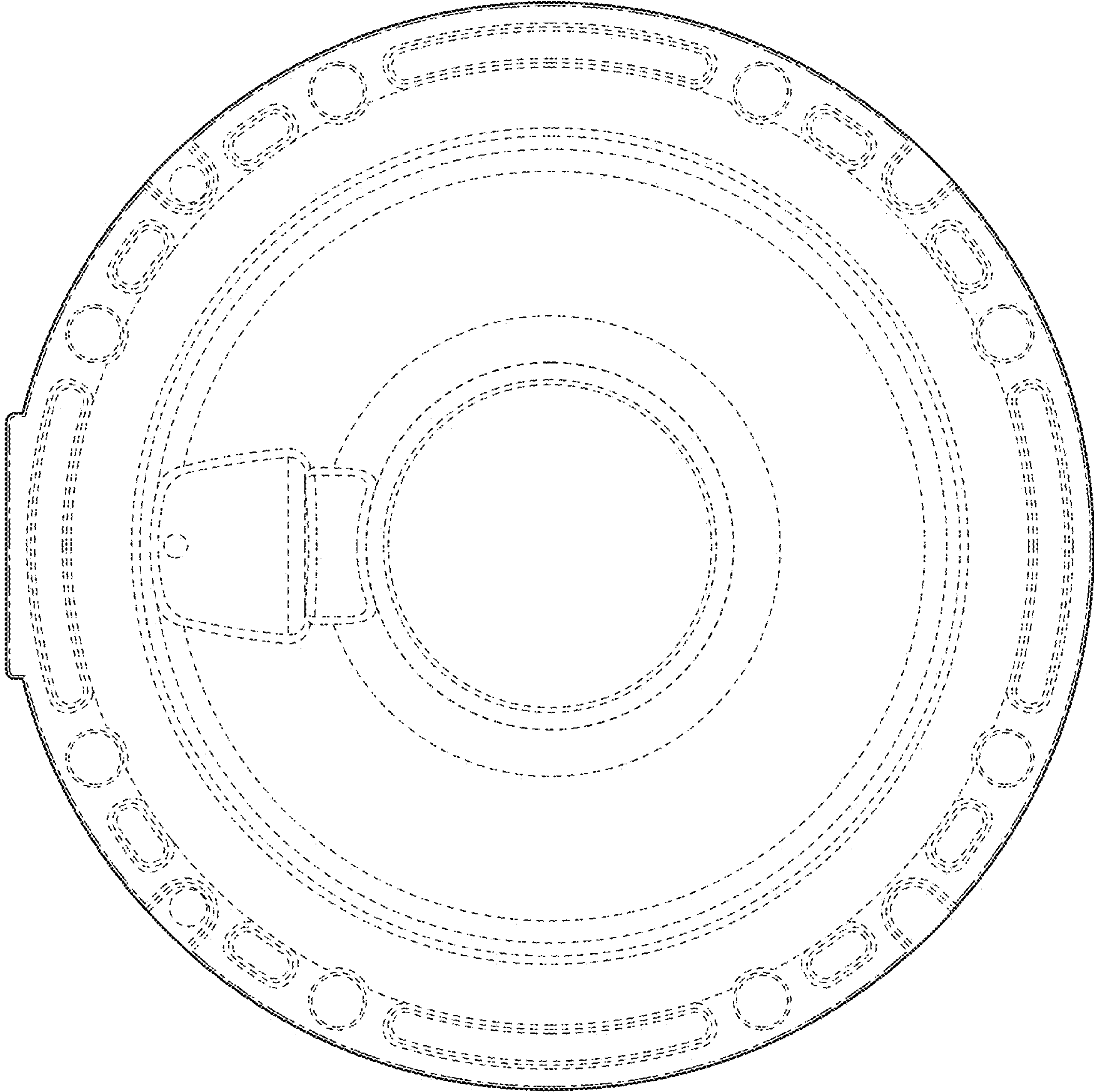


FIG. 7

