



US00D884123S

(12) **United States Design Patent**
Eads

(10) **Patent No.:** **US D884,123 S**
(45) **Date of Patent:** **** May 12, 2020**

- (54) **FAUCET**
- (71) Applicant: **DELTA FAUCET COMPANY,**
Indianapolis, IN (US)
- (72) Inventor: **Thad Eads,** Urbana, IN (US)
- (73) Assignee: **DELTA FAUCET COMPANY,**
Indianapolis, IN (US)
- (**) Term: **15 Years**
- (21) Appl. No.: **29/679,843**
- (22) Filed: **Feb. 11, 2019**
- (51) **LOC (12) Cl.** **23-01**
- (52) **U.S. Cl.**
USPC **D23/238**
- (58) **Field of Classification Search**
USPC D23/238, 241–243, 249, 255, 257
CPC Y10T 137/9464; Y10T 137/6014; Y10T
137/6017
See application file for complete search history.

D855,155 S * 7/2019 Stuart D23/238
D864,356 S * 10/2019 Zhang D23/238
10,519,635 B2 * 12/2019 Fourman E03C 1/0403

* cited by examiner

Primary Examiner — Robert A Delehanty
(74) *Attorney, Agent, or Firm* — Nirav D. Parikh; Edgar
A. Zarins

(57) **CLAIM**

The ornamental design for a faucet, as shown and described.

DESCRIPTION

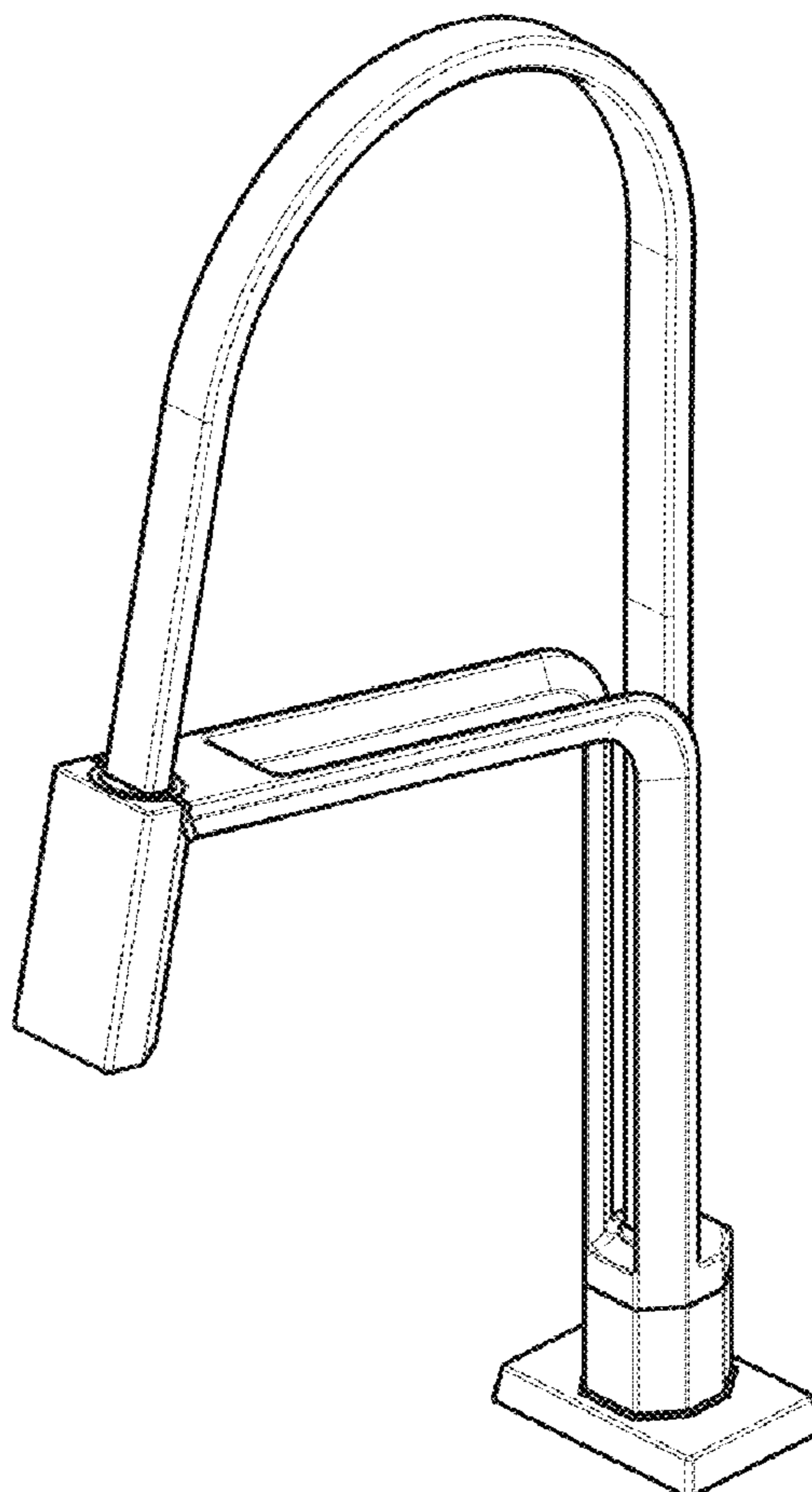
FIG. 1 is a rear perspective view of a faucet showing my new design;
FIG. 2 is a front perspective view thereof;
FIG. 3 is a rear view thereof;
FIG. 4 is a right side view thereof;
FIG. 5 is a left side view thereof;
FIG. 6 is a front elevational view thereof;
FIG. 7 is a bottom view thereof; and,
FIG. 8 is a top plan view thereof.

(56) **References Cited**

U.S. PATENT DOCUMENTS

D804,615 S * 12/2017 Seum D23/238
D845,445 S * 4/2019 Fritz D23/255

1 Claim, 4 Drawing Sheets



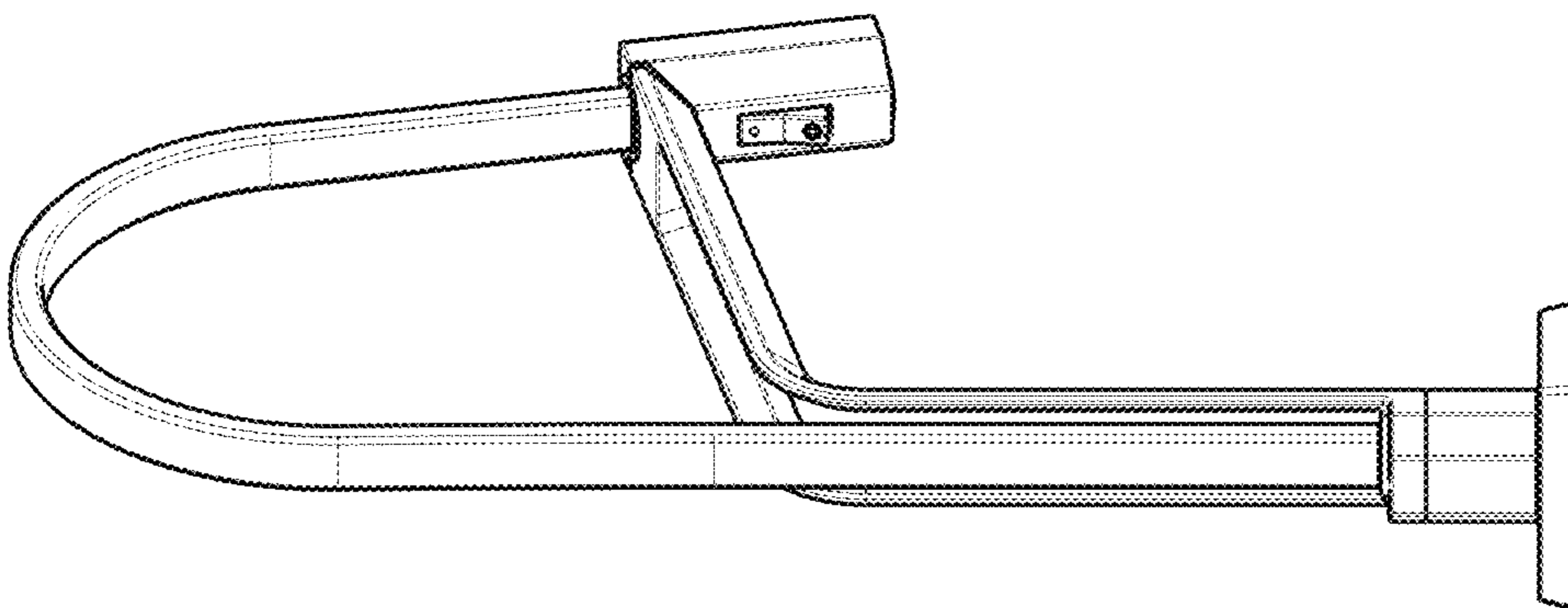


FIG 1

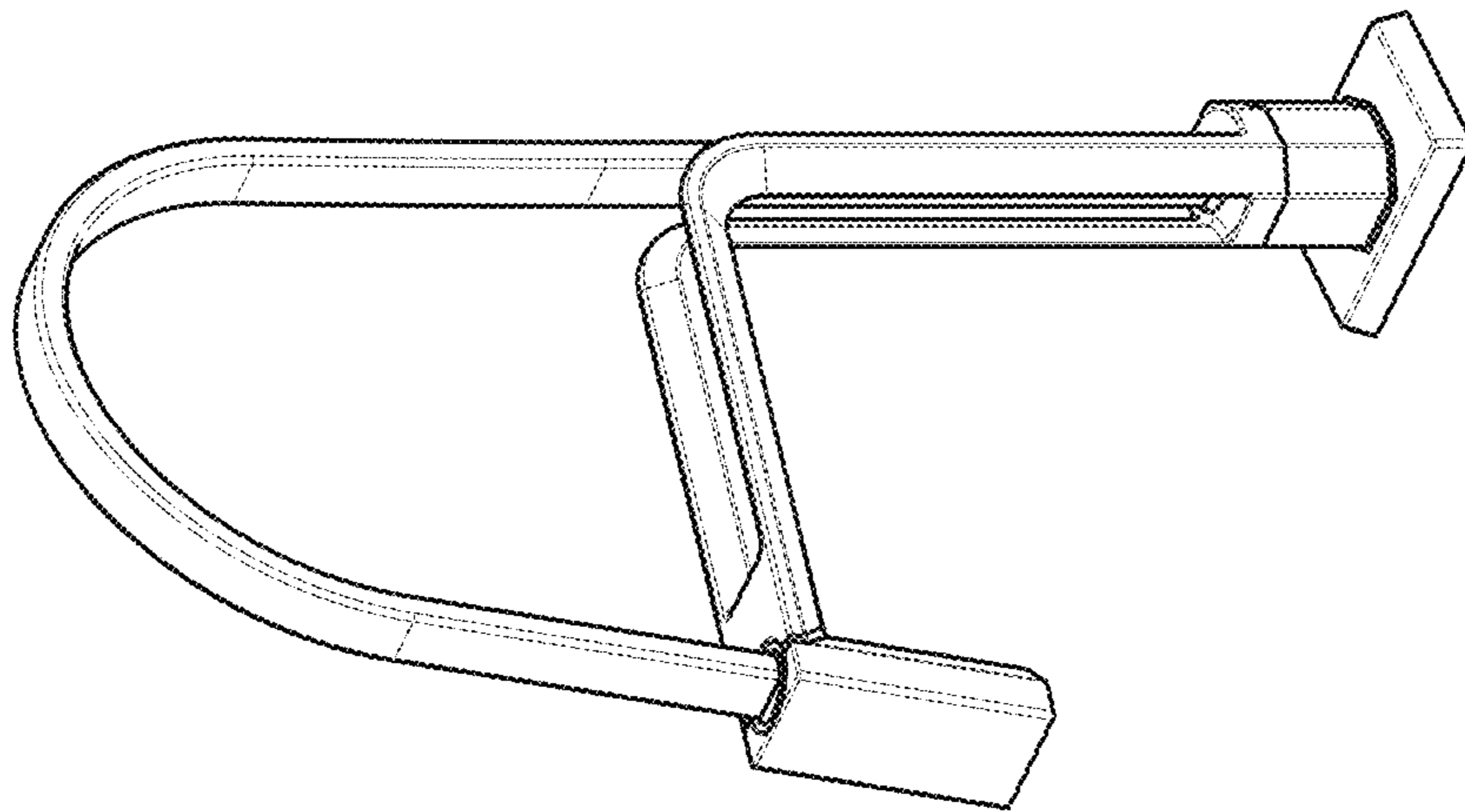


FIG 2

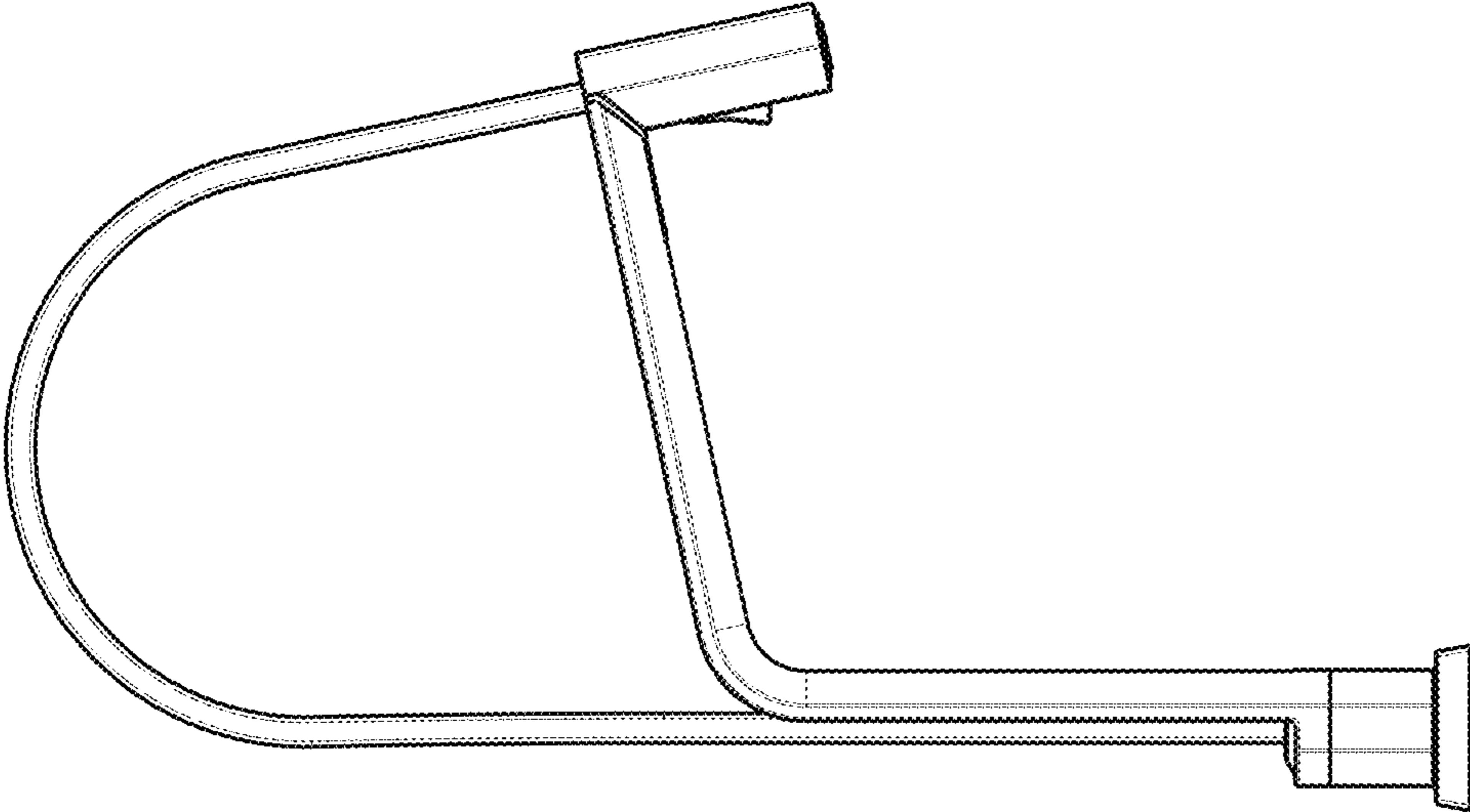


FIG 4

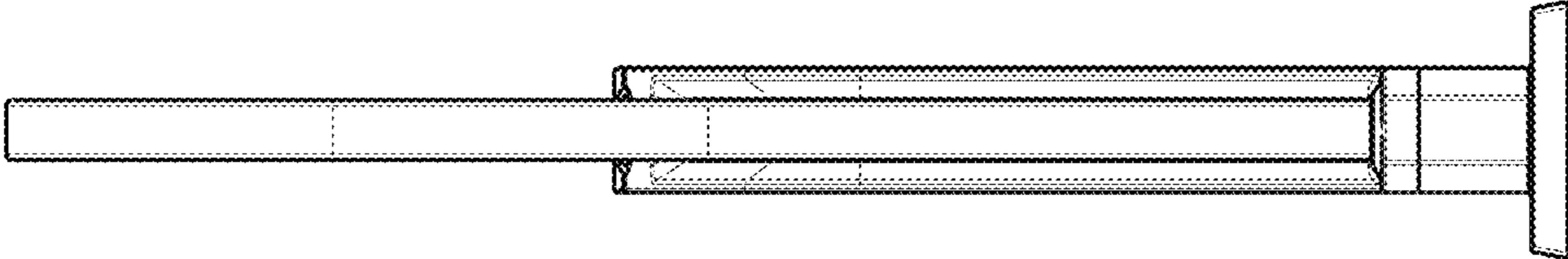


FIG 3

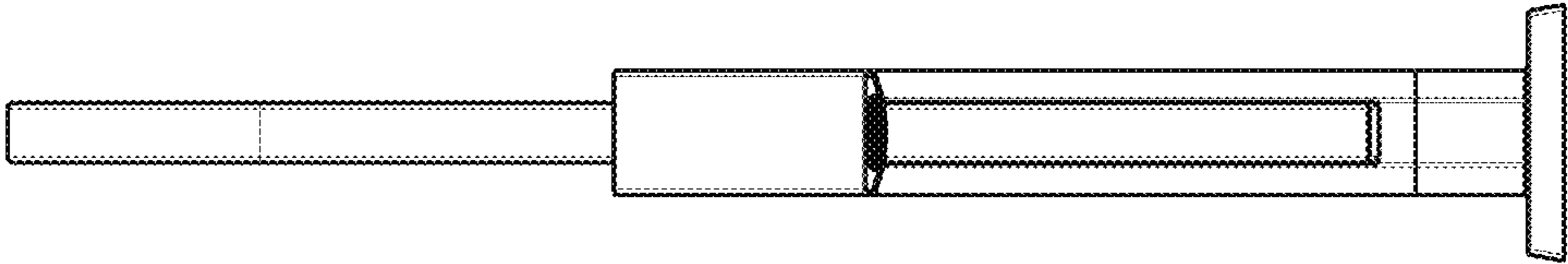


FIG 6

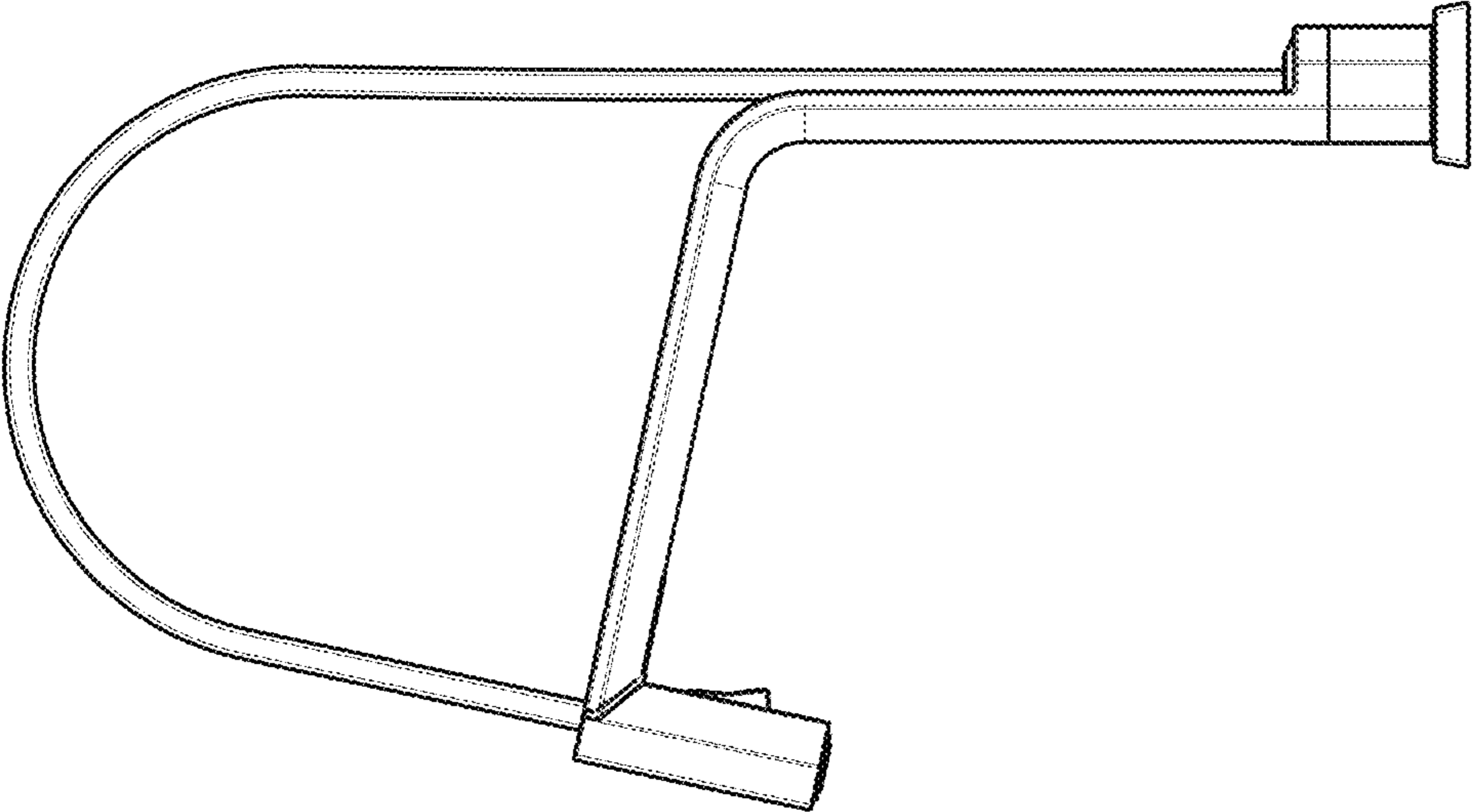


FIG 5

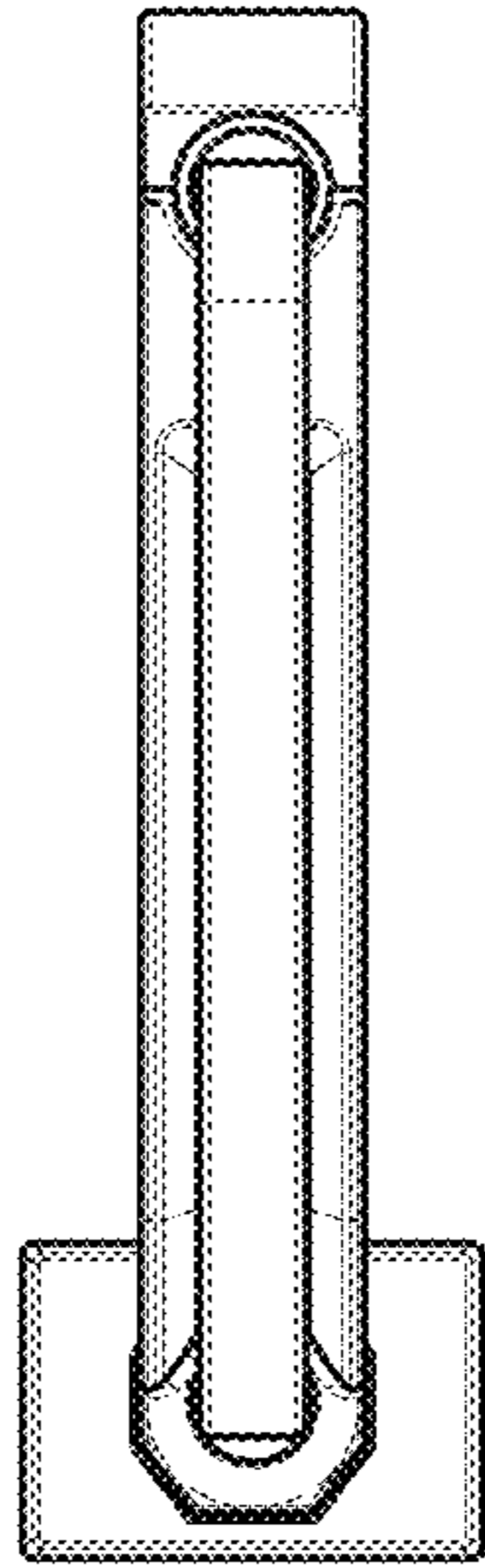


FIG 8

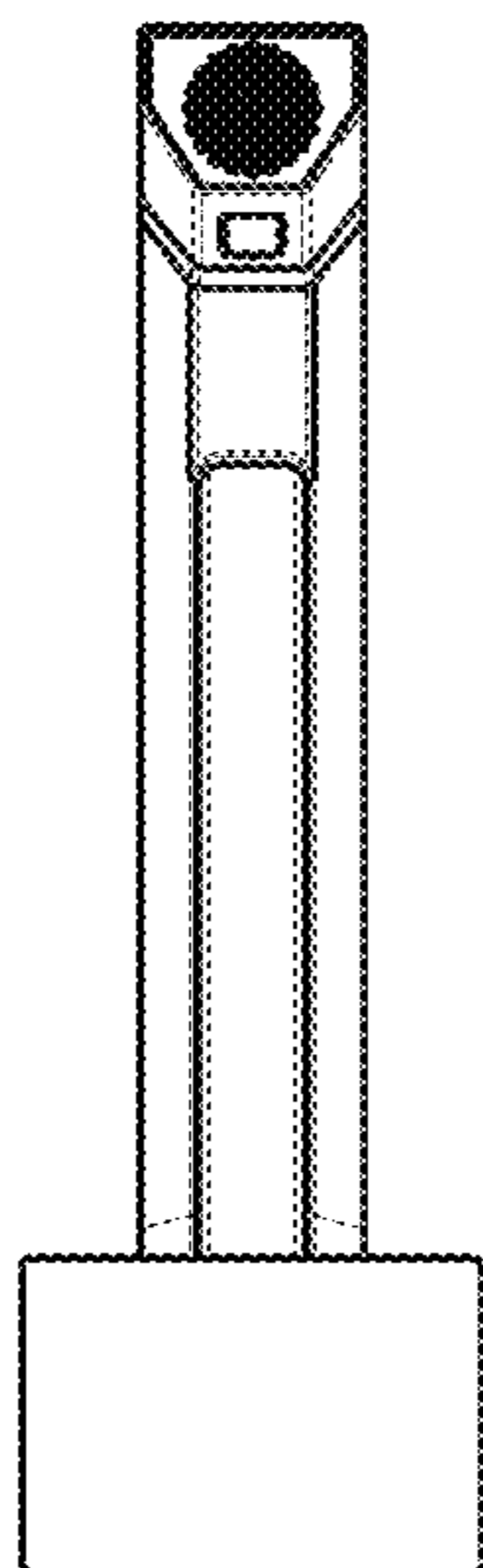


FIG 7