



US00D884121S

(12) **United States Design Patent** (10) **Patent No.:** **US D884,121 S**
DeAngelo et al. (45) **Date of Patent:** **** May 12, 2020**

(54) **WATER FILTER** 4,151,092 A * 4/1979 Grimm C02F 1/003
210/256
(71) Applicants: **Regina DeAngelo**, Charlestown, RI D285,487 S * 9/1986 Tjernagel D23/200
(US); **William Scott Keeley**, D310,123 S * 8/1990 Carlson D23/200
Charlestown, RI (US) D340,843 S * 11/1993 Morton, Jr. D8/1
D434,511 S * 11/2000 Parker D23/200
D816,799 S * 5/2018 Bell B01D 35/143
(72) Inventors: **Regina DeAngelo**, Charlestown, RI D23/209
(US); **William Scott Keeley**, D844,102 S * 3/2019 DeAngelo B01D 29/085
Charlestown, RI (US) D23/209
2017/0196542 A1 * 7/2017 Spiteri A61M 1/0056
(**) Term: **15 Years** * cited by examiner

(21) Appl. No.: **29/679,981**

(22) Filed: **Feb. 12, 2019**

(51) **LOC (12) Cl.** **23-01**

(52) **U.S. Cl.**
USPC **D23/209**

(58) **Field of Classification Search**
USPC D23/207, 209, 200, 2, 205, 210, 259,
D23/260, 261; D7/700; 210/650, 651,
210/469
CPC B01D 35/14; B01D 35/30; B01D 35/0276;
B01D 35/027; B01D 29/085; B01D
2201/29; B01D 2201/30; B01D 2201/291;
B01D 2201/295; B01D 2201/296; B01D
2201/298; B01D 2201/301; B01D
2201/306; B01D 2201/309; C02F 1/002
See application file for complete search history.

(56) **References Cited**

U.S. PATENT DOCUMENTS

90,523 A * 5/1869 Goodfellow A47J 31/06
210/477
1,286,639 A * 12/1918 House B01D 29/085
210/482
3,630,083 A * 12/1971 Gorans B01D 35/143
73/294

Primary Examiner — Sheryl Lane
Assistant Examiner — Calvin E Vansant
(74) *Attorney, Agent, or Firm* — Keeley DeAngelo LLP;
W Scott Keeley

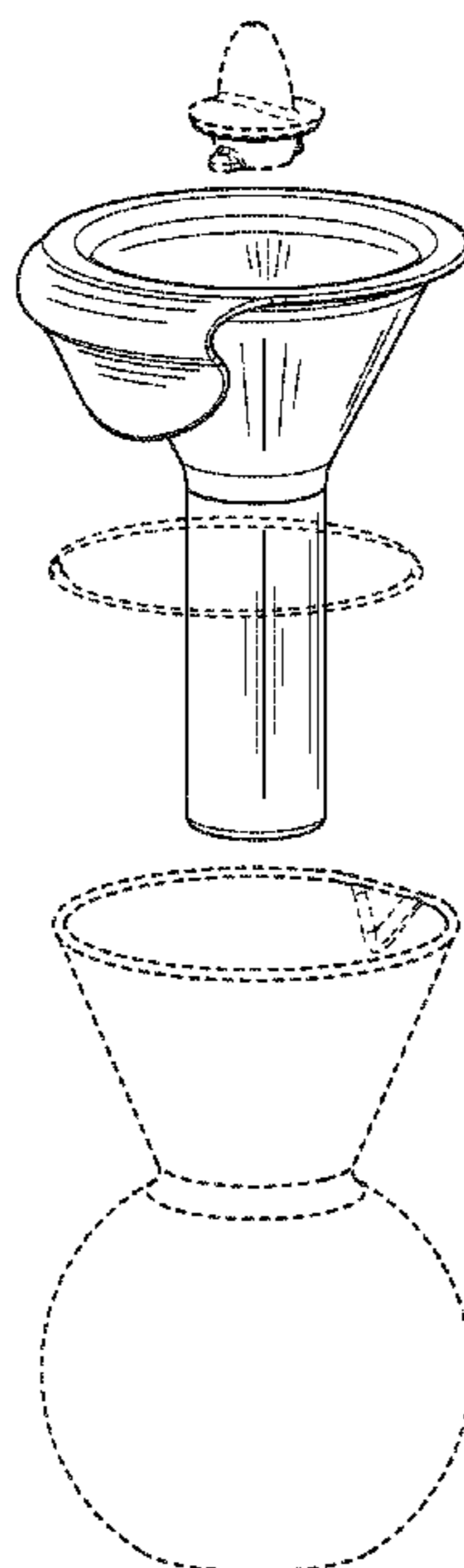
(57) **CLAIM**

The ornamental design for a water filter, as shown and described.

DESCRIPTION

FIG. 1 is a front right perspective, exploded view of a water filter of the present embodiment;
FIG. 2 is a rear perspective, exploded view of the present embodiment;
FIG. 3 is a side cross section view of the present embodiment in situ;
FIG. 4 is a front view of the present embodiment;
FIG. 5 is a right side view, the left side view a mirror image thereof;
FIG. 6 is a rear view of the present embodiment;
FIG. 7 is a top view of the present embodiment; and,
FIG. 8 is a bottom view of the present embodiment.
The broken lines depict portions of the water filter and the environment that form no part of the claimed design.

1 Claim, 8 Drawing Sheets



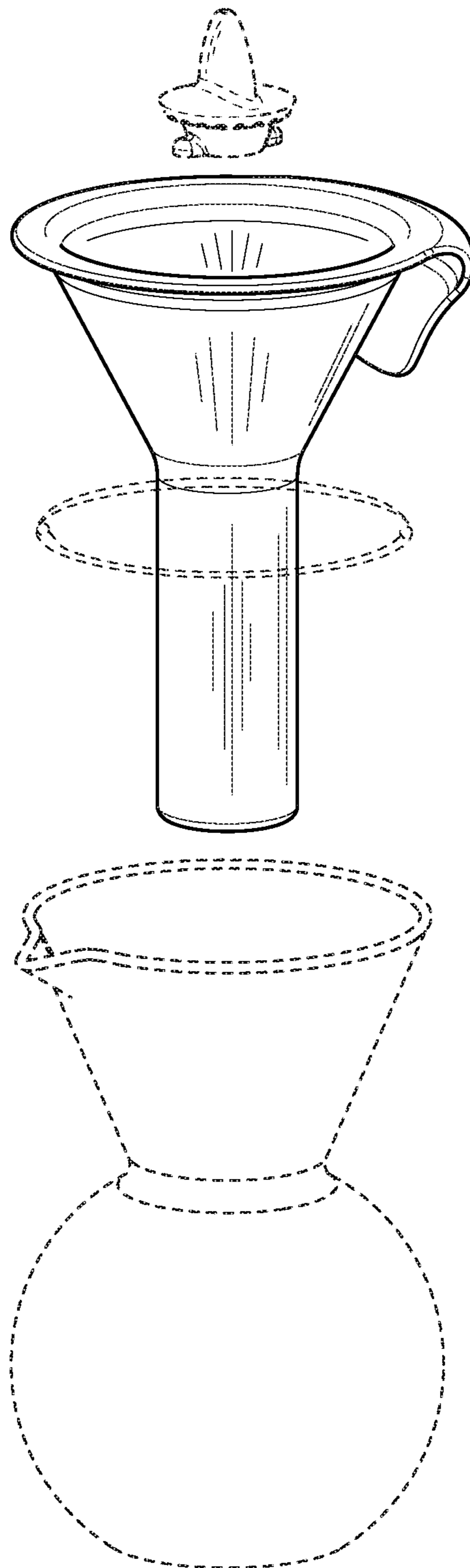


Figure 1

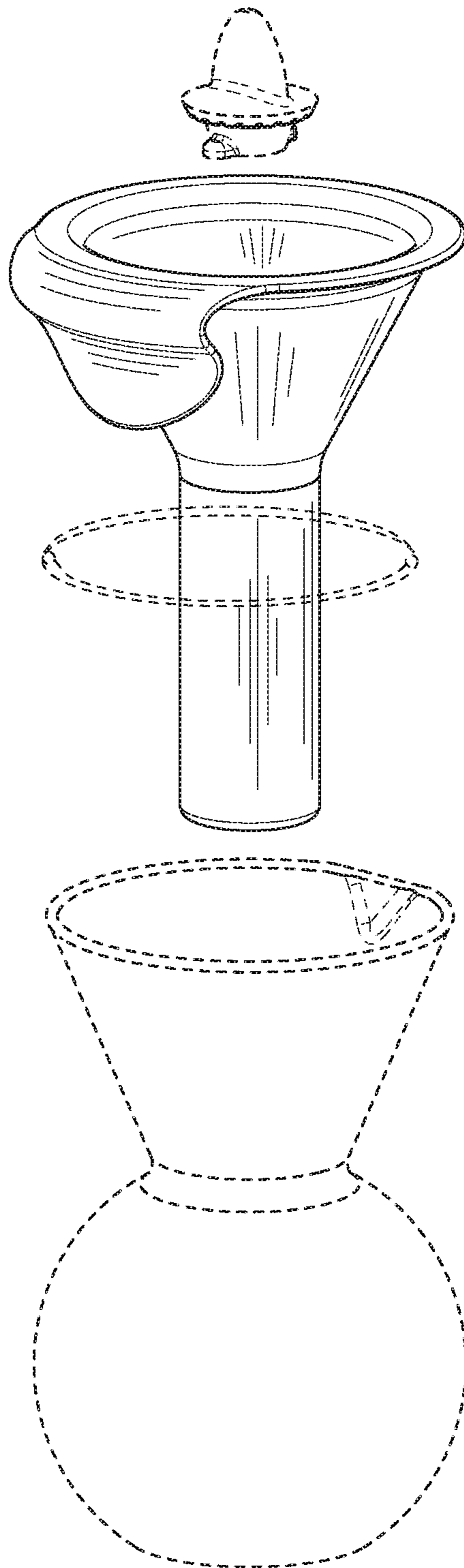


Figure 2

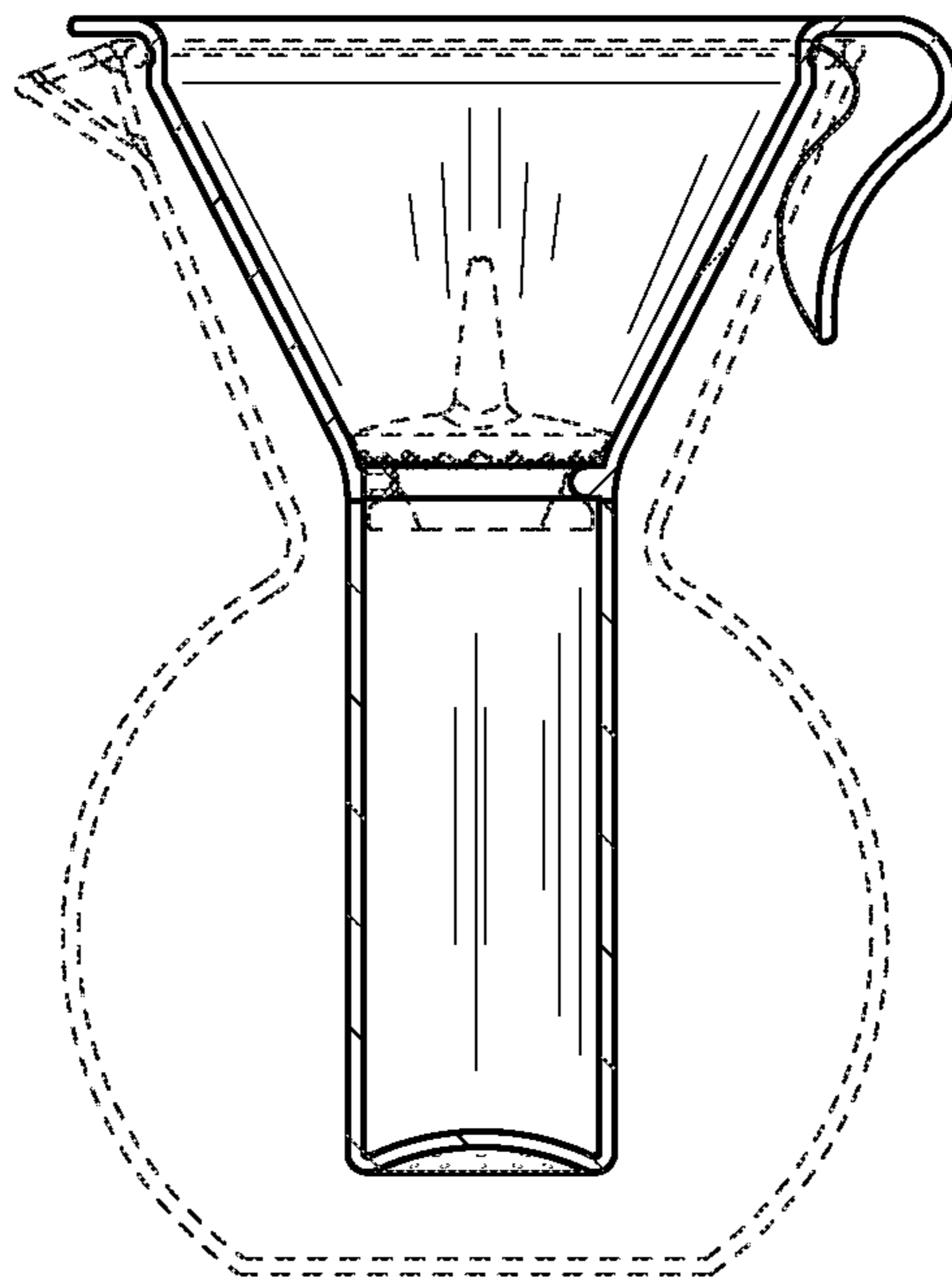


Figure 3

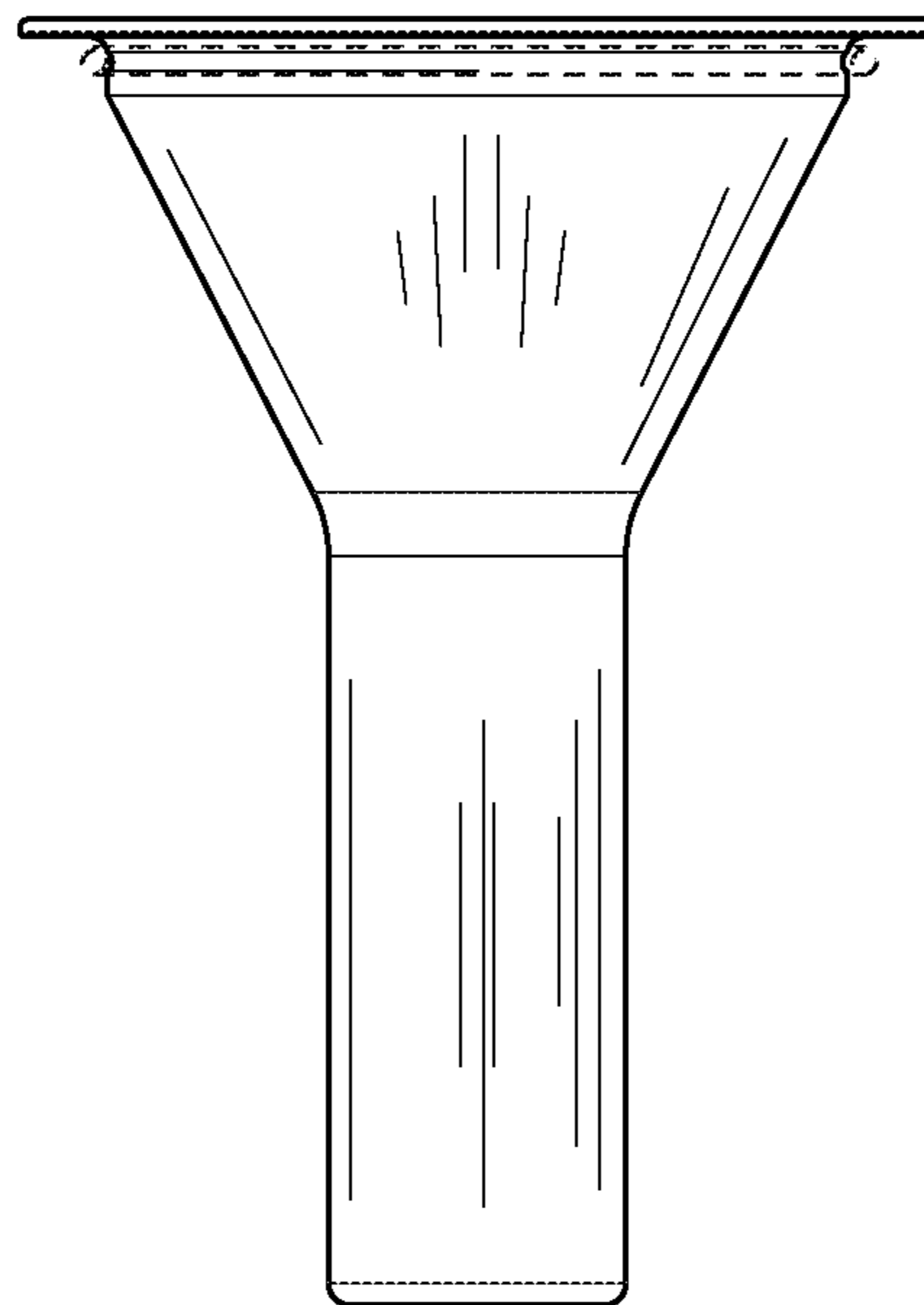


Figure 4

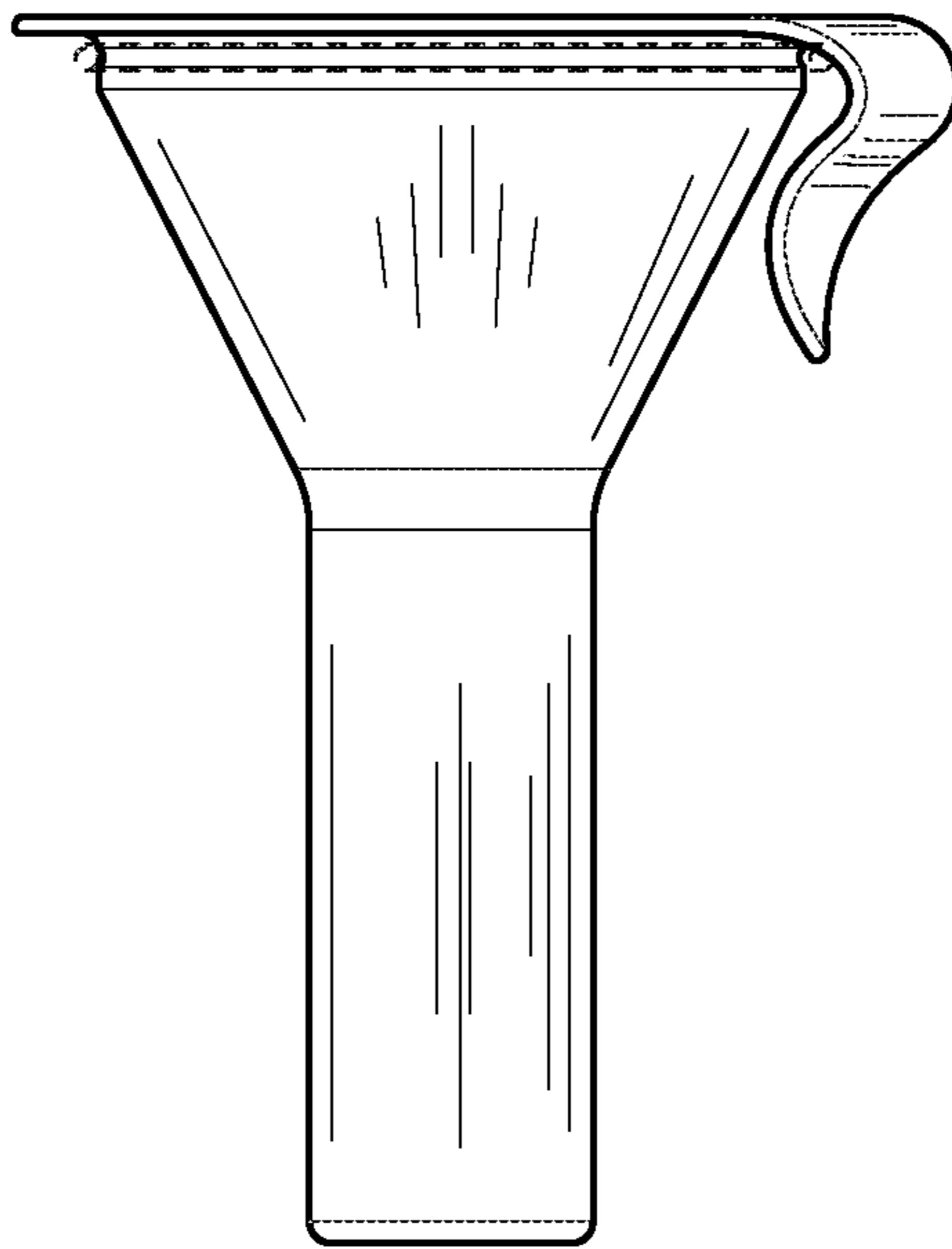


Figure 5

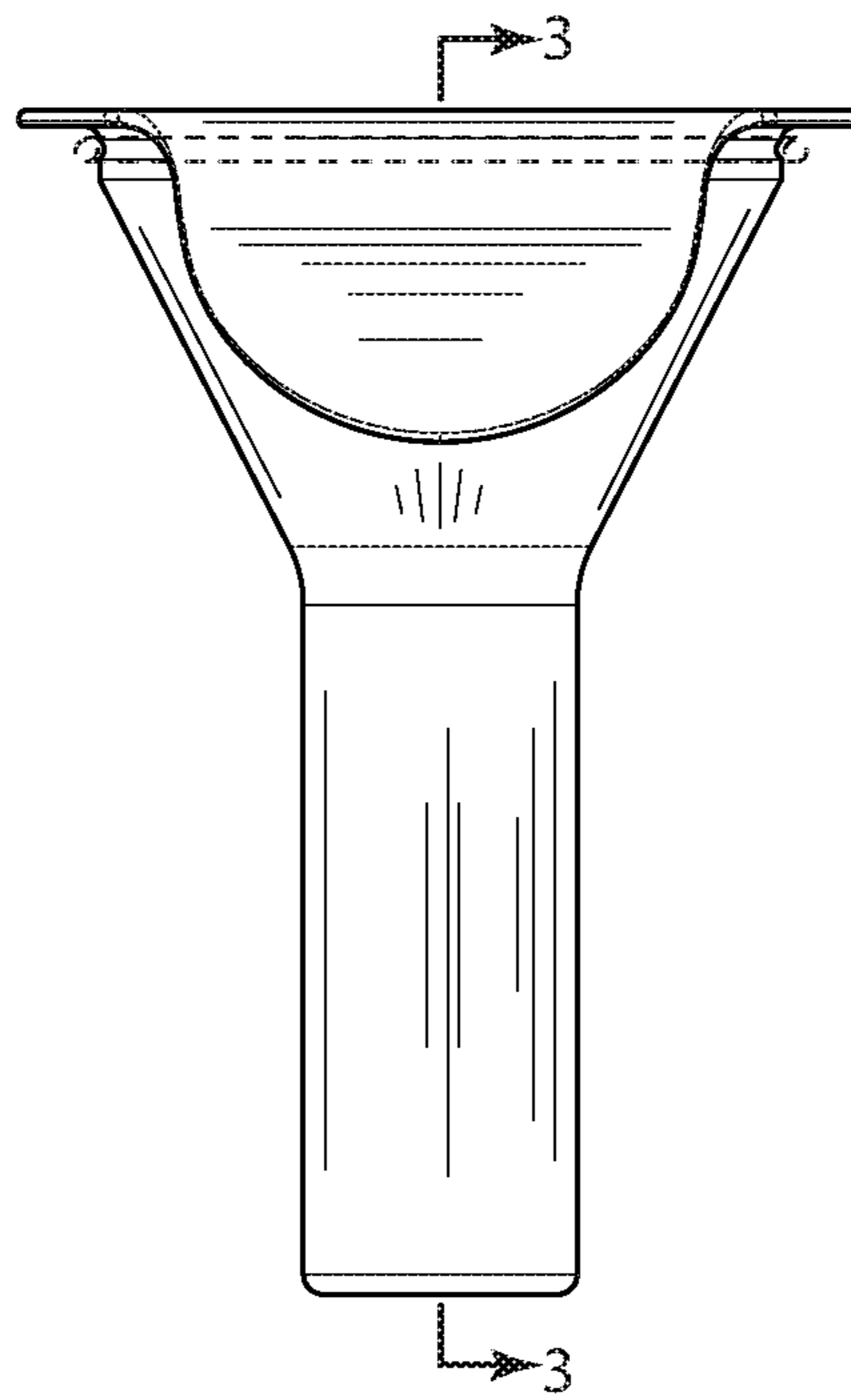


Figure 6

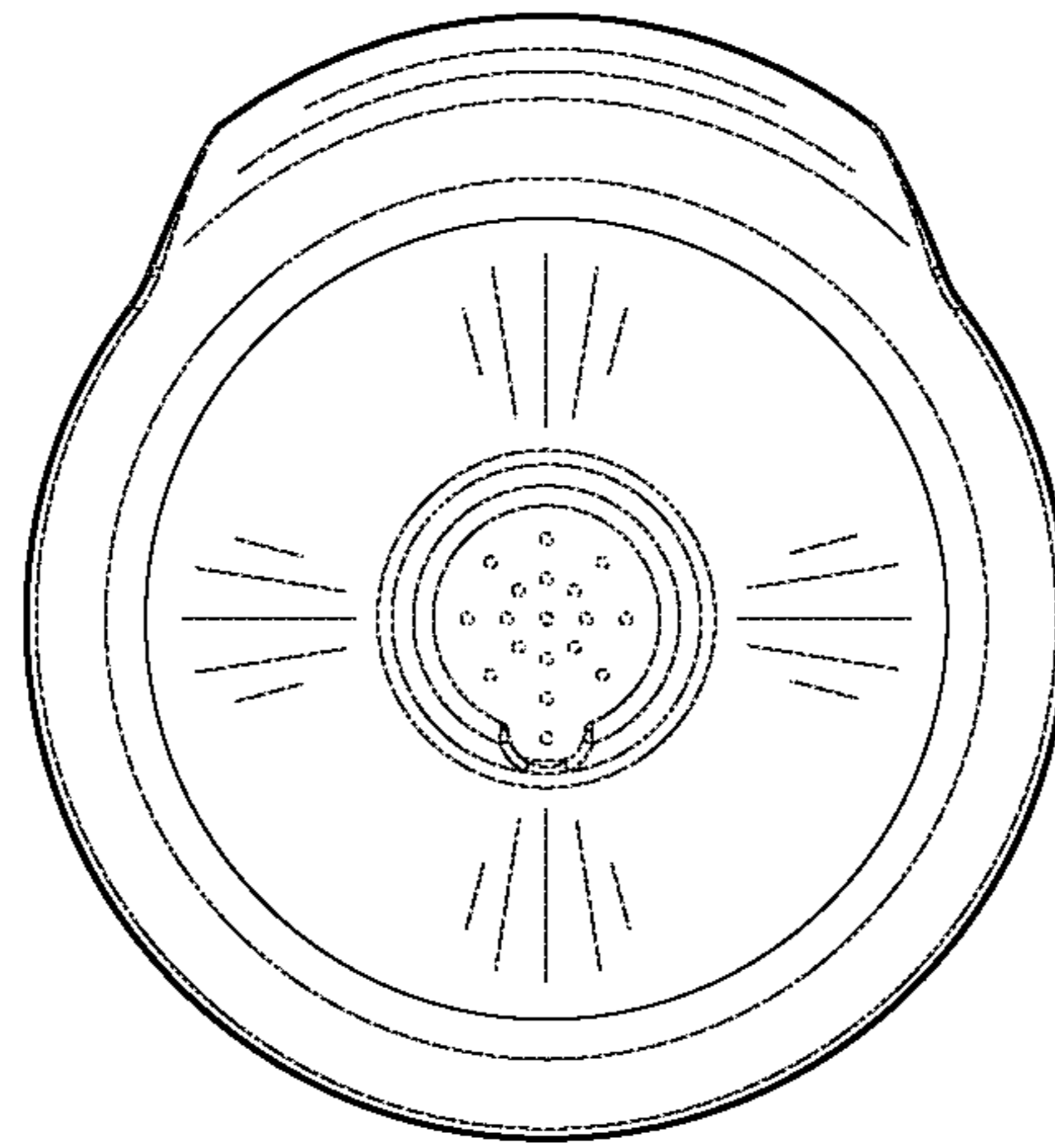


Figure 7

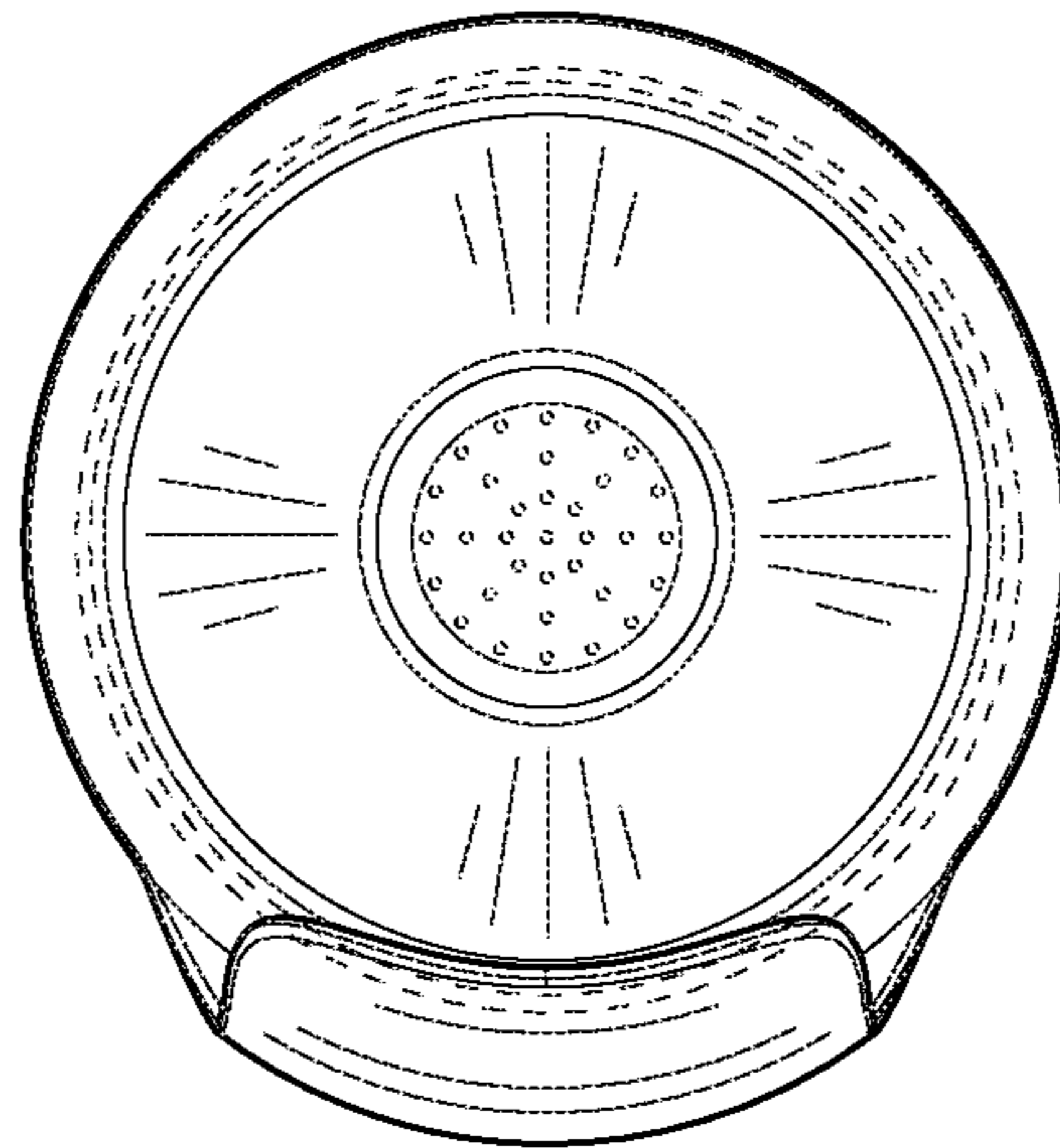


Figure 8