



US00D884119S

(12) **United States Design Patent**
Mabe et al.

(10) **Patent No.:** **US D884,119 S**
(45) **Date of Patent:** **** May 12, 2020**

- (54) **FISHING ROD HOLDER**
- (71) Applicants: **William Mabe**, Gibsonville, NC (US);
Deborah Mabe, Gibsonville, NC (US)
- (72) Inventors: **William Mabe**, Gibsonville, NC (US);
Deborah Mabe, Gibsonville, NC (US)
- (**) Term: **15 Years**
- (21) Appl. No.: **29/662,653**
- (22) Filed: **Sep. 7, 2018**
- (51) **LOC (12) Cl.** **22-05**
- (52) **U.S. Cl.**
USPC **D22/147**
- (58) **Field of Classification Search**
USPC D6/552, 553, 567, 572; D8/380;
D22/109, 147, 148; D25/68; 43/21,
43/21.2; 211/13.1, 60.1, 64, 70.2, 70.6,
211/70.8, 65, 68, 69, 69.8, 89, 94;
248/512, 520, 538, 316.7
CPC A01K 97/10; A01K 97/12; A01K 97/125;
A01K 99/00; A01K 97/08; A47F 7/0021;
A47F 7/0035; A47B 81/005; Y10T
70/5009; Y10S 224/922
See application file for complete search history.

- D372,956 S * 8/1996 Mills D22/147
- 5,685,107 A 11/1997 Sweet
- D393,690 S * 4/1998 Lovelady D22/147
- D414,239 S * 9/1999 Lovelady D22/147
- 5,987,803 A * 11/1999 White A01K 97/10
43/21.2
- D507,817 S 7/2005 Mitchell
- D564,617 S * 3/2008 White D22/147
- D589,113 S * 3/2009 Perry D22/147
- 7,559,171 B2 7/2009 Bateman
- D662,745 S * 7/2012 Zalewski D6/552
- 9,282,732 B2 3/2016 Henry, Jr.
- D759,842 S * 6/2016 Umlor D25/68
- 2008/0155882 A1 * 7/2008 Wegman A01K 97/10
43/21.2
- 2017/0339937 A1 * 11/2017 Erdmann A45F 3/04

* cited by examiner

Primary Examiner — Nathan M Johnston

(57) **CLAIM**

The ornamental design for a fishing rod holder, as shown and described.

DESCRIPTION

FIG. 1 is a front view of a fishing rod holder showing my new design;
 FIG. 2 is a rear view of the fishing rod holder;
 FIG. 3 is a right side view of the fishing rod holder;
 FIG. 4 is a left side view of the fishing rod holder;
 FIG. 5 is a top view of the fishing rod holder;
 FIG. 6 is a bottom view of the fishing rod holder; and,
 FIG. 7 is a top front side perspective view of the fishing rod holder.
 The broken lines in the drawing figures are illustrative of environmental structure forming no part of the claimed design.

1 Claim, 5 Drawing Sheets

(56) **References Cited**
U.S. PATENT DOCUMENTS

- D179,525 S * 1/1957 Porter D22/147
- D271,610 S * 11/1983 Lummis D22/147
- 4,650,146 A 3/1987 Duke
- D349,555 S 8/1994 Siket, Jr.
- D352,089 S * 11/1994 Barber D22/147
- 5,383,299 A 1/1995 Smelker
- 5,501,028 A 3/1996 Hull
- 5,533,295 A 7/1996 Hochberger

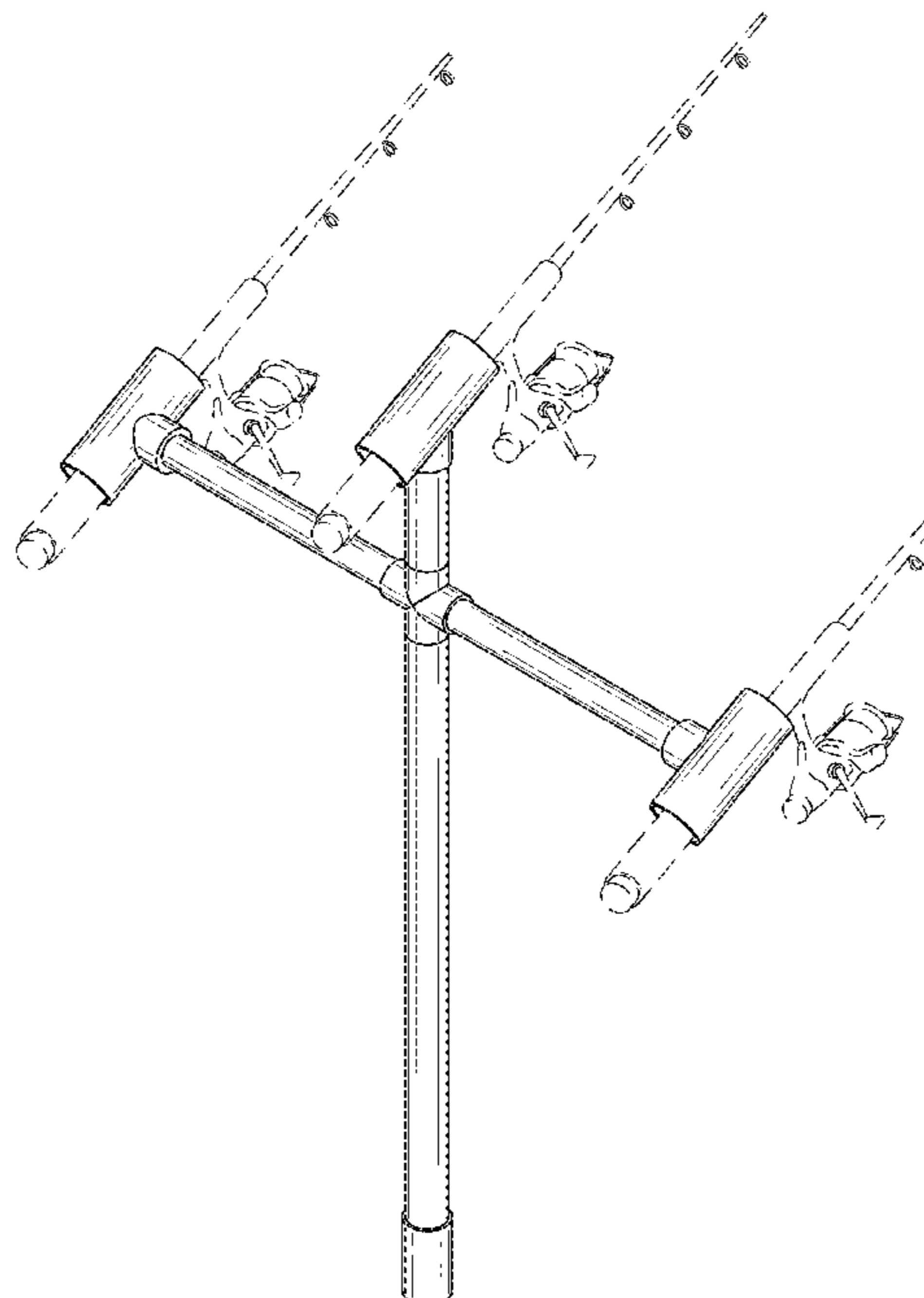


FIG. 1

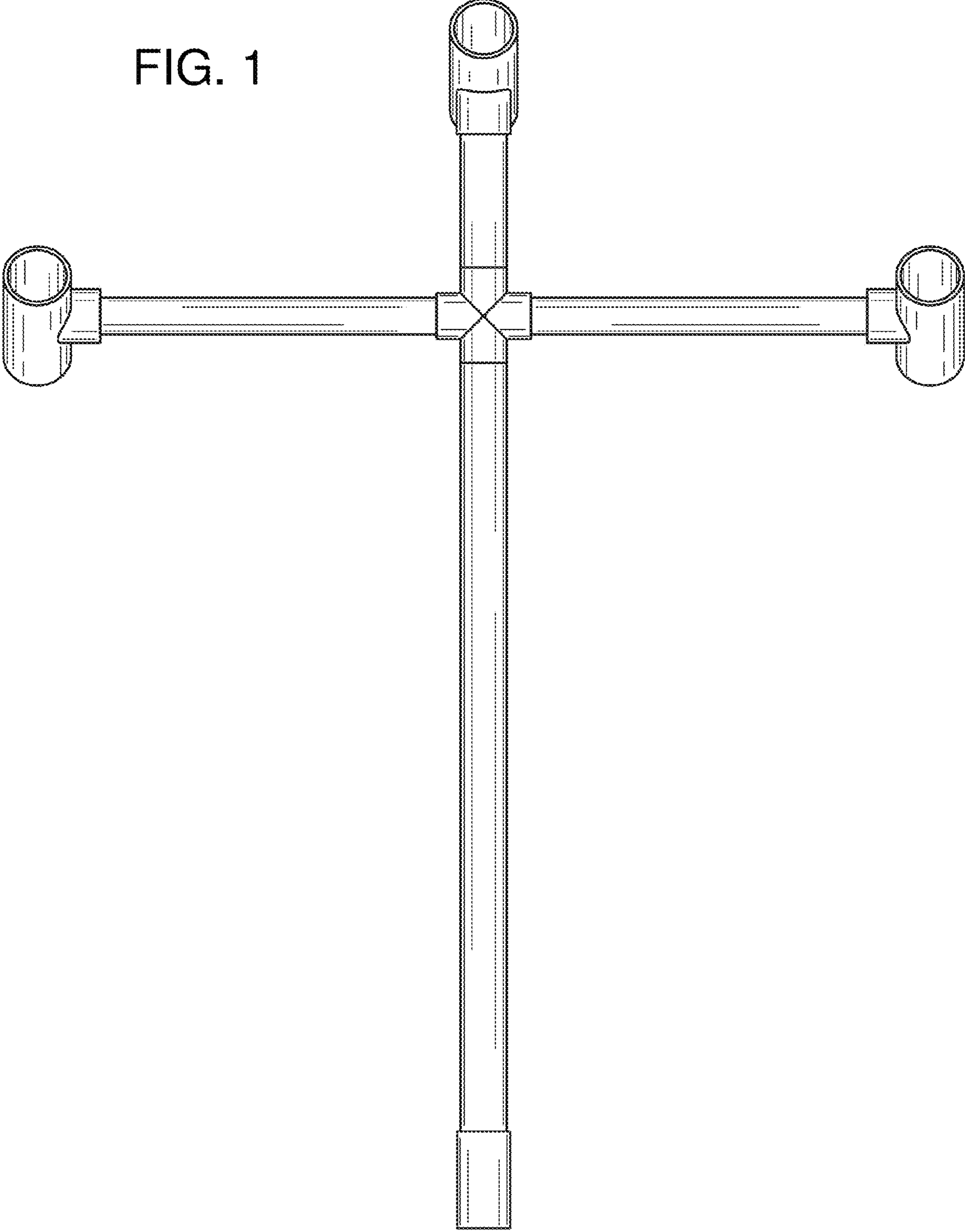


FIG. 2

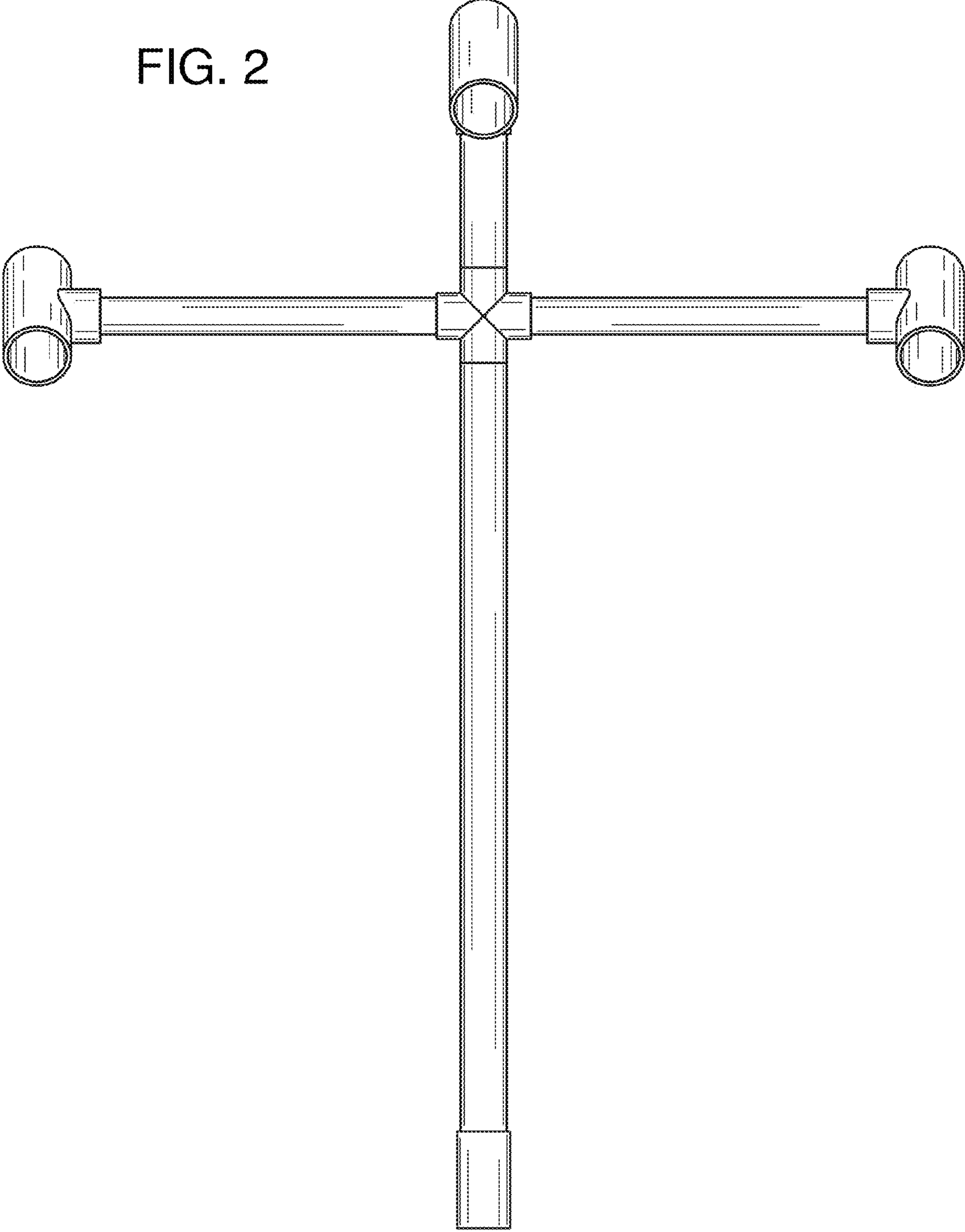


FIG. 3

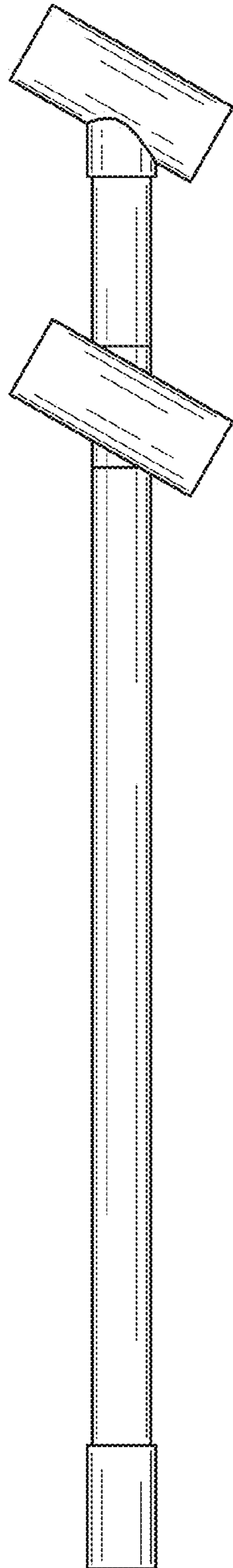


FIG. 4

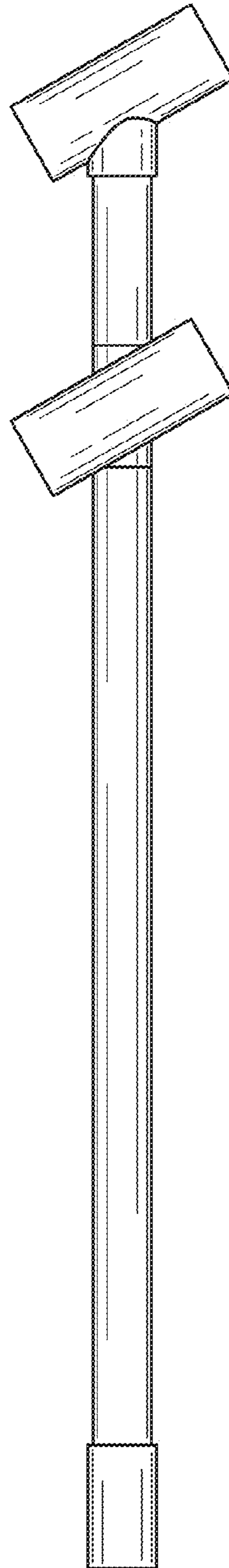


FIG. 5

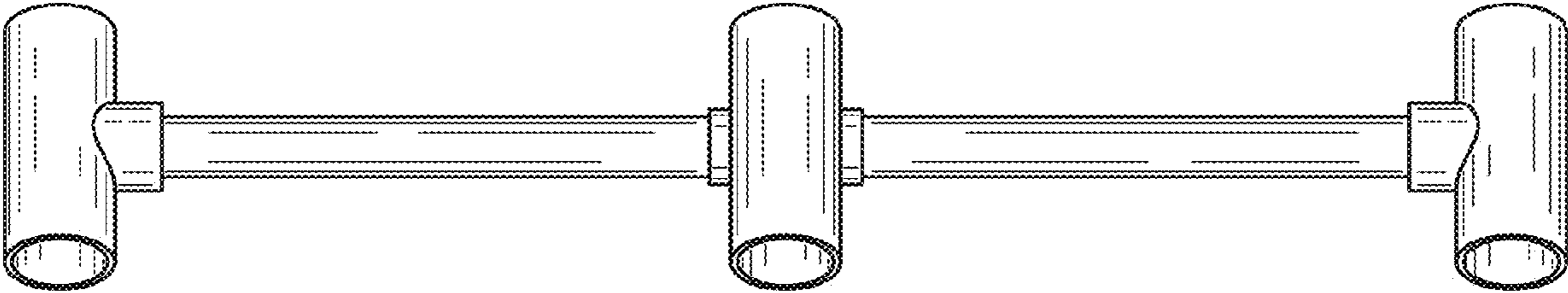


FIG. 6

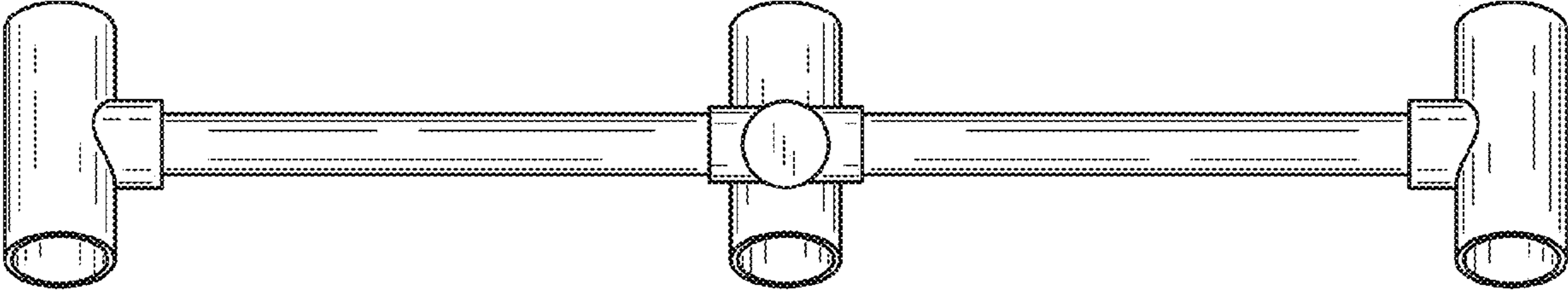


FIG. 7

