



US00D884118S

(12) **United States Design Patent**  
**Xu et al.**

(10) **Patent No.:** **US D884,118 S**  
(45) **Date of Patent:** **\*\* May 12, 2020**

(54) **DIP NET FRAME WITH HANDLE**  
(71) Applicant: **HANGZHOU FUFAN INDUSTRY CO., LTD.**, Hangzhou, Zhejiang Province (CN)  
(72) Inventors: **Hongjian Xu**, Hangzhou (CN); **Shu Lin**, Hangzhou (CN); **Linrong Hong**, Hangzhou (CN); **Huihai Ge**, Hangzhou (CN)  
(73) Assignee: **HANGZHOU FUFAN INDUSTRY CO., LTD.**, Hangzhou (CN)

D549,800 S \* 8/2007 Corbett ..... D22/135  
7,624,530 B2 \* 12/2009 Resch ..... A01K 77/00  
43/12  
D764,012 S \* 8/2016 Johnson ..... D22/135  
D794,157 S \* 8/2017 Jones ..... D22/135  
2006/0185215 A1 \* 8/2006 Corbett ..... A01K 77/00  
43/11  
2009/0100739 A1 \* 4/2009 Resch ..... A01K 77/00  
43/12  
2011/0094145 A1 \* 4/2011 Marx ..... A01K 77/00  
43/12  
2012/0036758 A1 \* 2/2012 Steffens ..... A01K 77/00  
43/12  
2016/0353722 A1 \* 12/2016 Johnson ..... A01K 74/00

\* cited by examiner

*Primary Examiner* — Catherine R Oliver-Garcia

(74) *Attorney, Agent, or Firm* — Jiwen Chen

(\*\*) Term: **15 Years**  
(21) Appl. No.: **29/674,992**  
(22) Filed: **Dec. 27, 2018**

(30) **Foreign Application Priority Data**

Nov. 26, 2018 (CN) ..... 2018 3 06740437

(51) **LOC (12) Cl.** ..... **22-05**

(52) **U.S. Cl.**  
USPC ..... **D22/135**

(58) **Field of Classification Search**  
USPC ..... D22/135-136; 43/7, 10-12, 14, 17.5;  
209/417-419; 119/245, 264  
CPC ..... A01K 77/00; A63B 49/00  
See application file for complete search history.

(56) **References Cited**

U.S. PATENT DOCUMENTS

4,619,065 A \* 10/1986 Jones ..... A01K 97/24  
43/11  
D319,681 S \* 9/1991 Mengo ..... D22/135

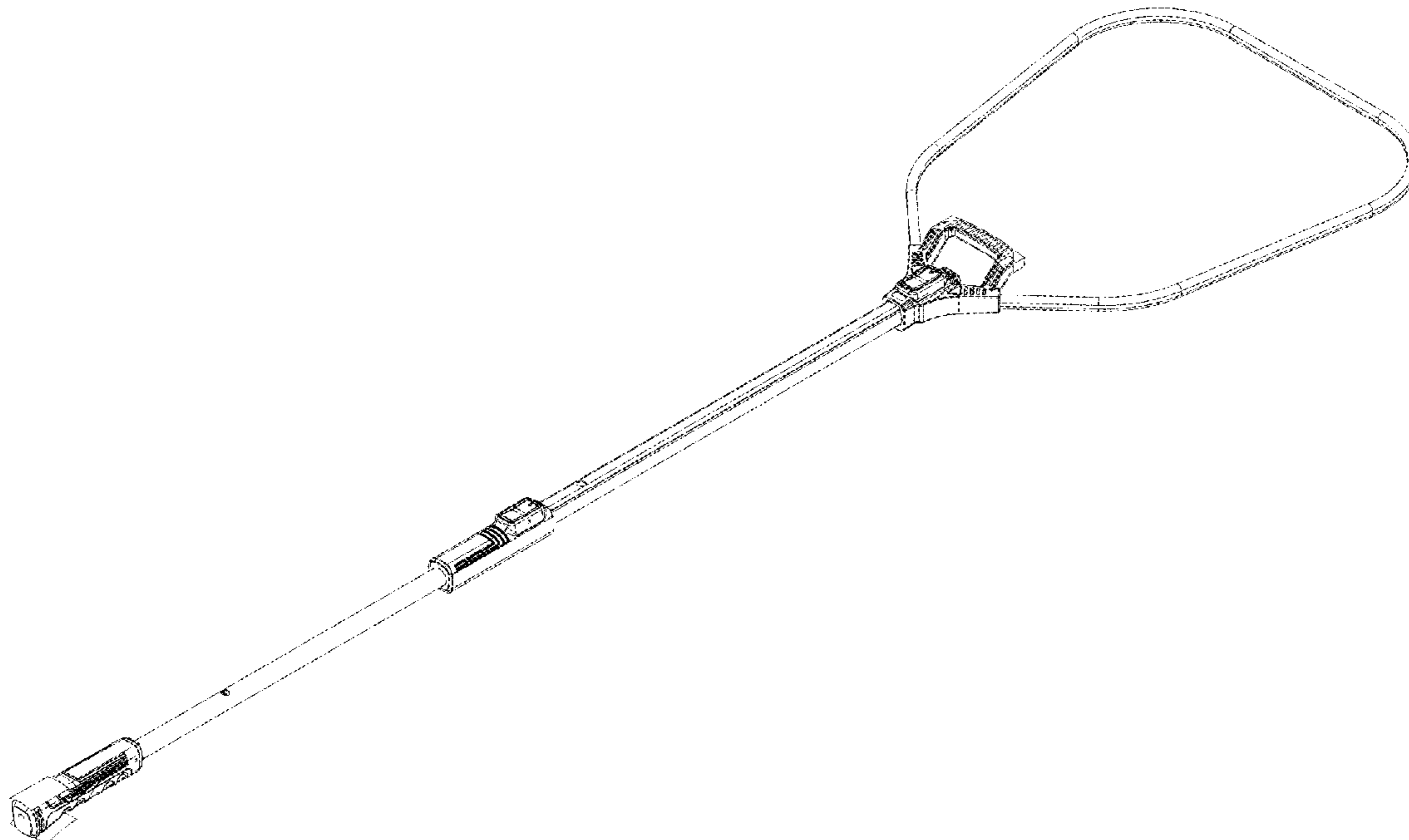
(57) **CLAIM**

The ornamental design for the dip net frame with handle, as shown and described.

**DESCRIPTION**

FIG. 1 is a perspective view of the dip net frame with handle showing the design;  
FIG. 2 is a front elevational view thereof;  
FIG. 3 is a rear elevational view thereof;  
FIG. 4 is a right side view thereof;  
FIG. 5 is a left side view thereof;  
FIG. 6 is a bottom plan view thereof; and,  
FIG. 7 is a top plan view thereof.

**1 Claim, 5 Drawing Sheets**



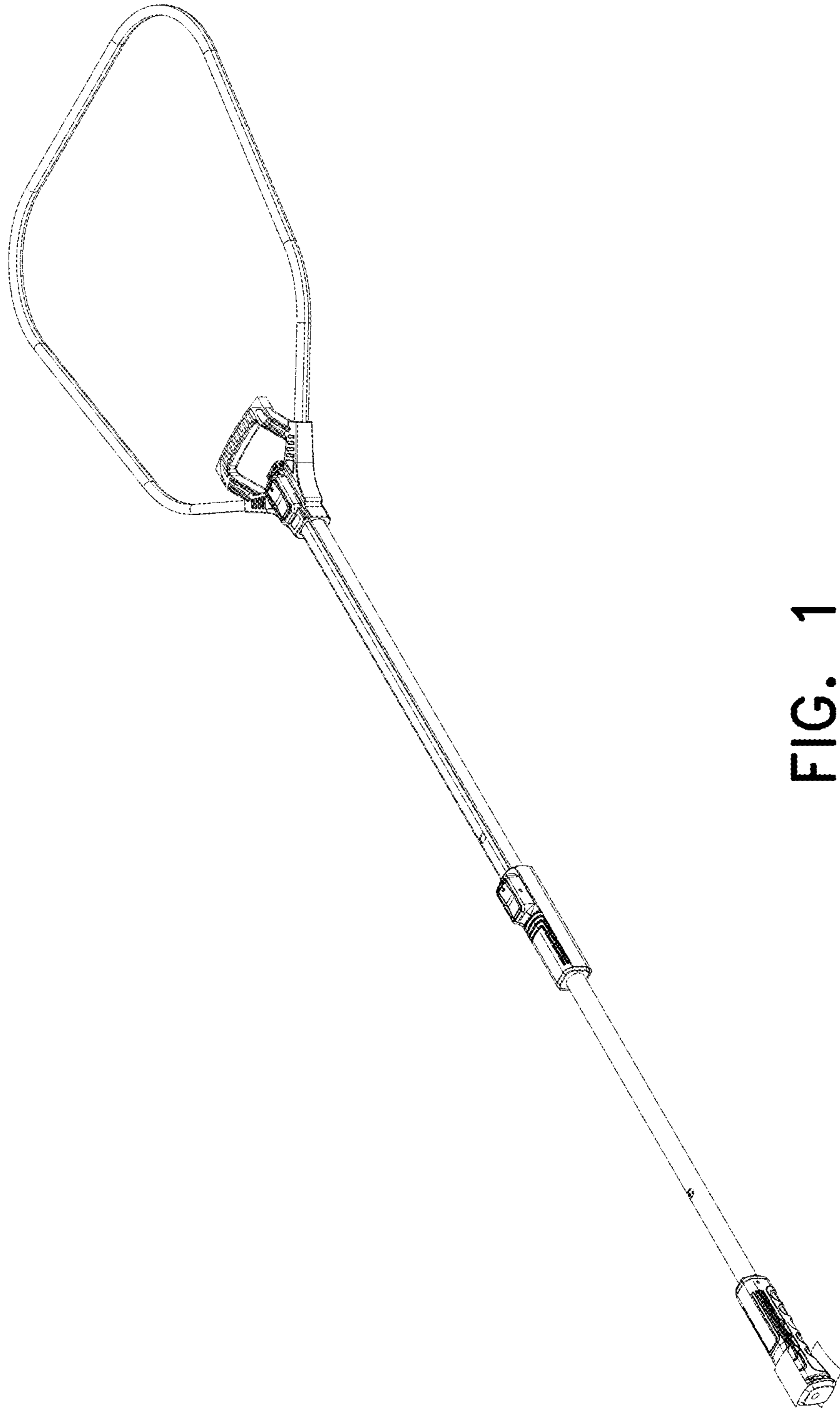


FIG. 1

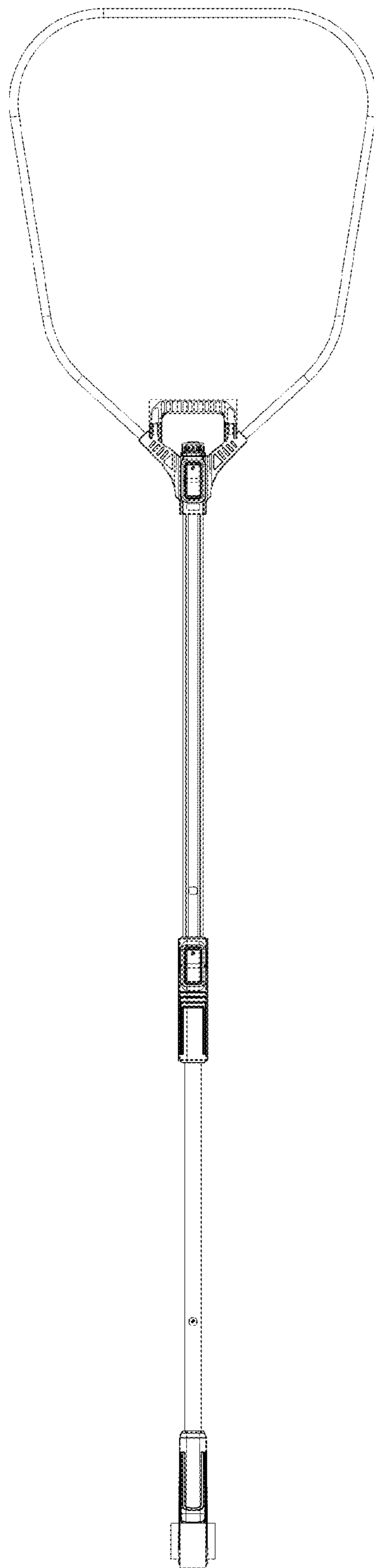


FIG. 2

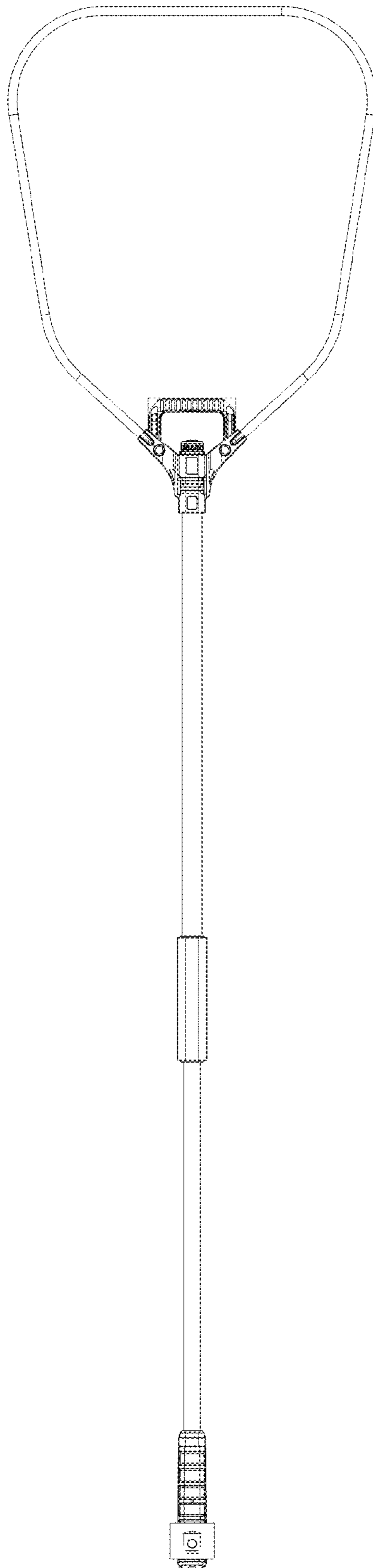


FIG. 3

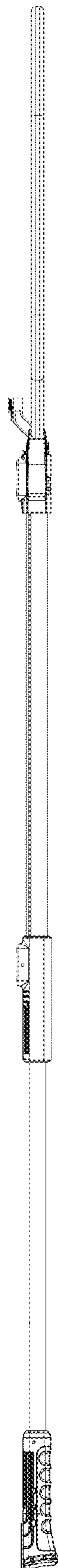


FIG. 4

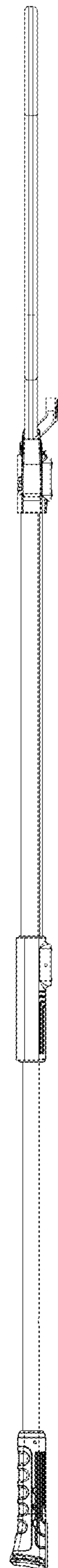


FIG. 5

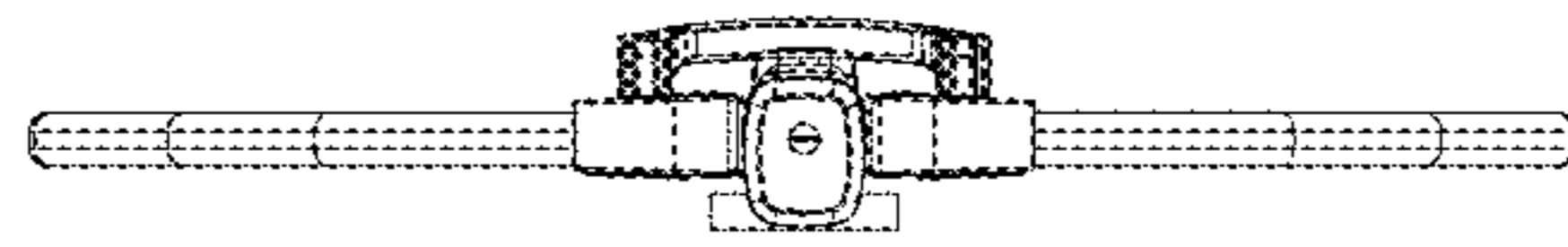


FIG. 6

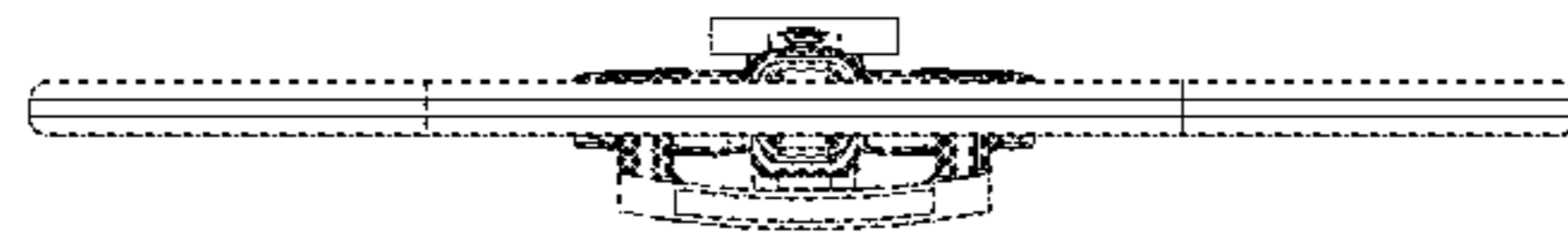


FIG. 7