



US00D884117S

(12) **United States Design Patent**
Sanford

(10) **Patent No.:** **US D884,117 S**

(45) **Date of Patent:** **** May 12, 2020**

- (54) **FOUR SIDED INSECT TRAP**
- (71) Applicant: **GARDEN HUNTER SOLUTIONS INC.,** Abbotsford (CA)
- (72) Inventor: **Randall Sanford,** Abbotsford (CA)
- (73) Assignee: **GARDEN HUNTER SOLUTIONS INC.,** Abbotsford (CA)
- (**) Term: **15 Years**
- (21) Appl. No.: **29/671,321**
- (22) Filed: **Nov. 26, 2018**
- (51) **LOC (12) Cl.** **22-06**
- (52) **U.S. Cl.**
USPC **D22/122**
- (58) **Field of Classification Search**
USPC D22/119–124; 43/107, 112–114, 121, 43/124, 131, 132.1
CPC A01M 1/02; A01M 1/10; A01M 1/14; A01M 1/2005; A01M 1/2011; A01M 1/103; A01M 1/2044; A01M 1/2055; A01M 1/026; A01M 1/2016; A01M 2200/011; A01M 2200/012
See application file for complete search history.

- D310,402 S * 9/1990 Wyatt D22/122
- 5,454,186 A * 10/1995 Gang A01M 1/14 43/114
- D390,305 S * 2/1998 Dickson D22/122
- D582,505 S * 12/2008 Willcox D22/122
- D712,503 S * 9/2014 Aiston D22/122
- D722,128 S * 2/2015 Wang D22/122
- D855,743 S * 8/2019 Falco, Jr. D22/122
- 2017/0339939 A1 * 11/2017 Ikawa A01M 1/10

* cited by examiner

Primary Examiner — Catherine R Oliver-Garcia
(74) *Attorney, Agent, or Firm* — Tai W. Nahm; Miller Thomson LLP

(57) **CLAIM**

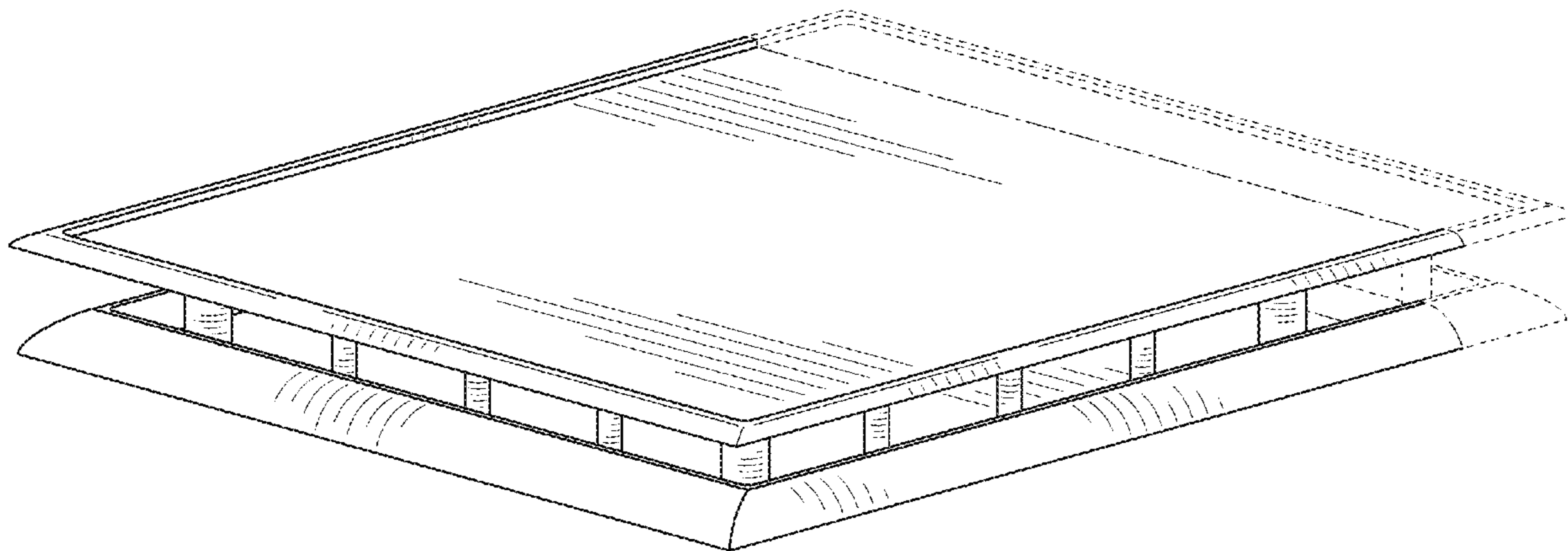
The design for a four sided insect trap, as shown.

DESCRIPTION

FIG. 1 illustrates a perspective view of a four sided insect trap comprising a new design.
 FIG. 2 is top view thereof.
 FIG. 3 is a bottom view thereof.
 FIG. 4 is a right side view thereof.
 FIG. 5 is a left side view thereof.
 FIG. 6 is a rear view thereof, shown upside down;
 FIG. 7 is a front view thereof; and,
 FIG. 8 is an exploded perspective view thereof.
 The broken lines depict environmental structure and are included for the purpose of illustration only and form no part of the claimed design.

1 Claim, 6 Drawing Sheets

- (56) **References Cited**
U.S. PATENT DOCUMENTS
4,823,506 A * 4/1989 Demarest A01M 1/2011 43/131
D306,197 S * 2/1990 Demarest D22/122



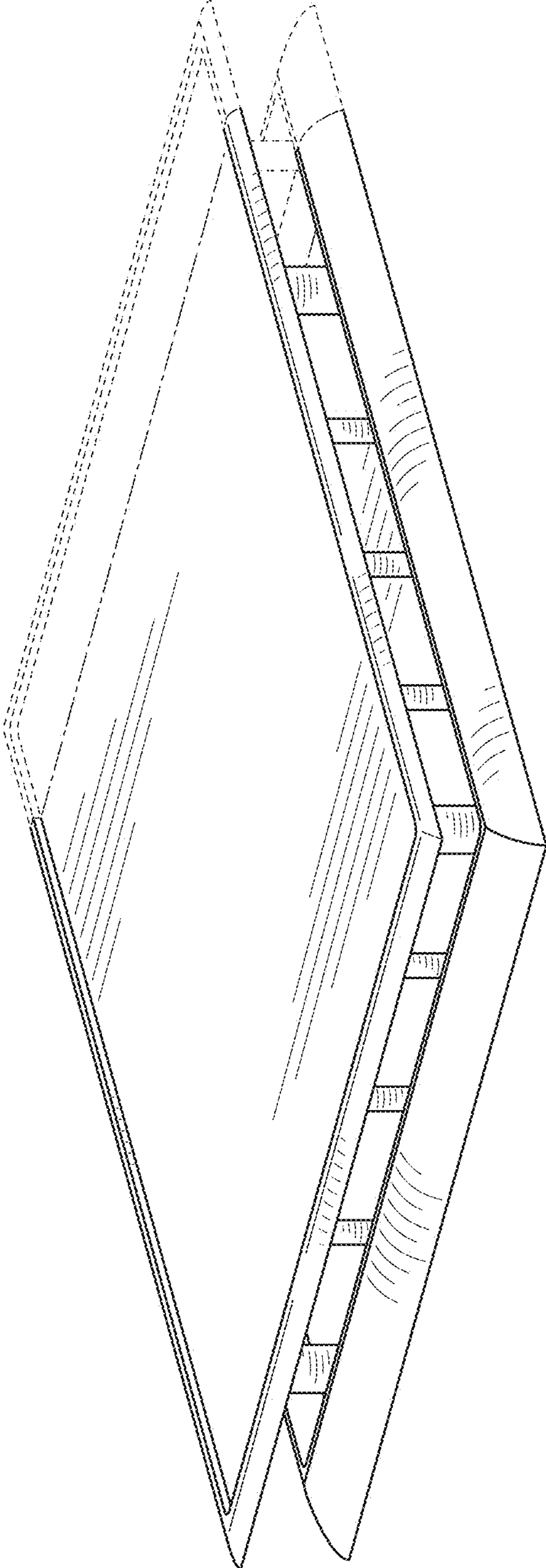


FIG. 1

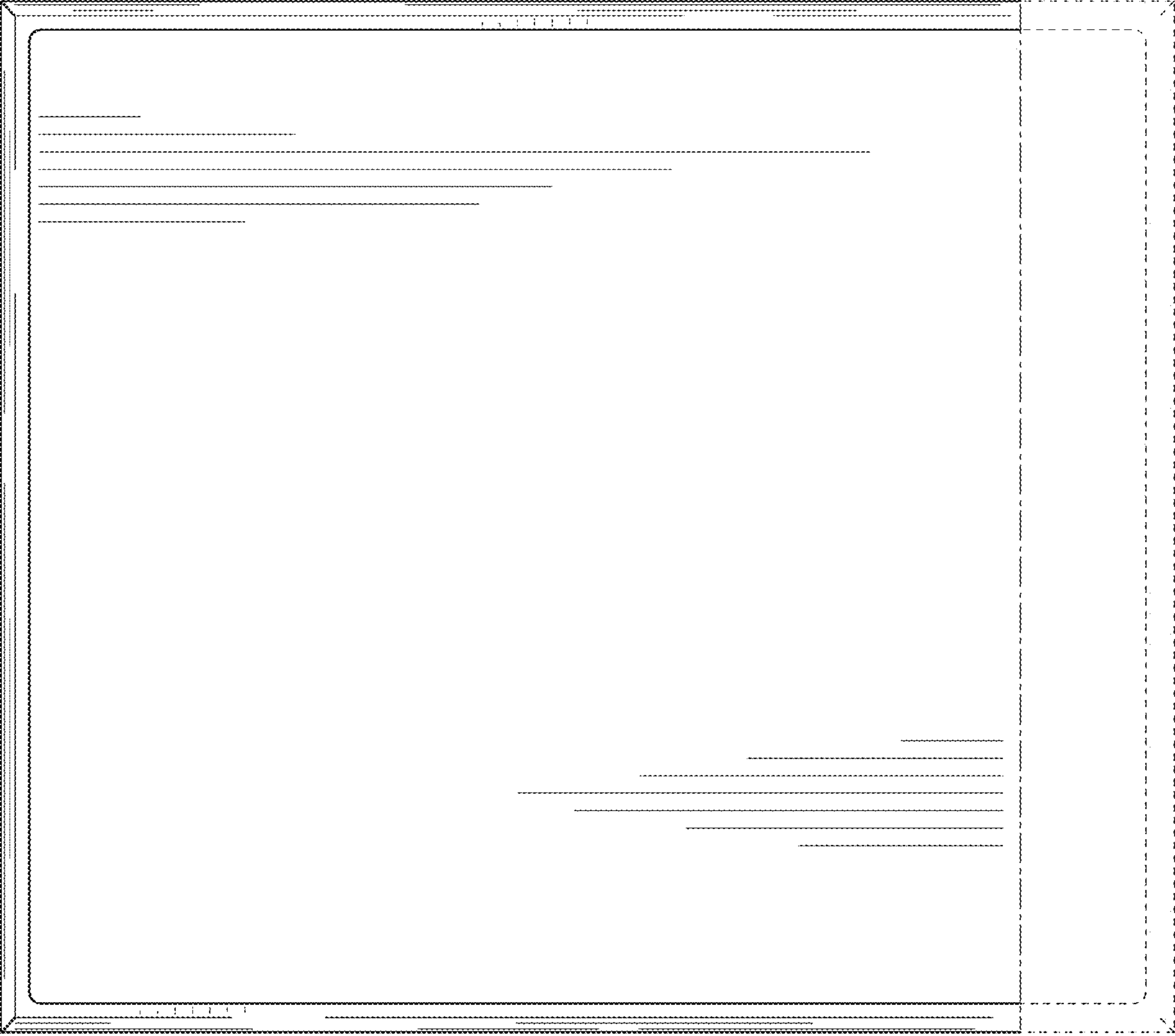


FIG. 2

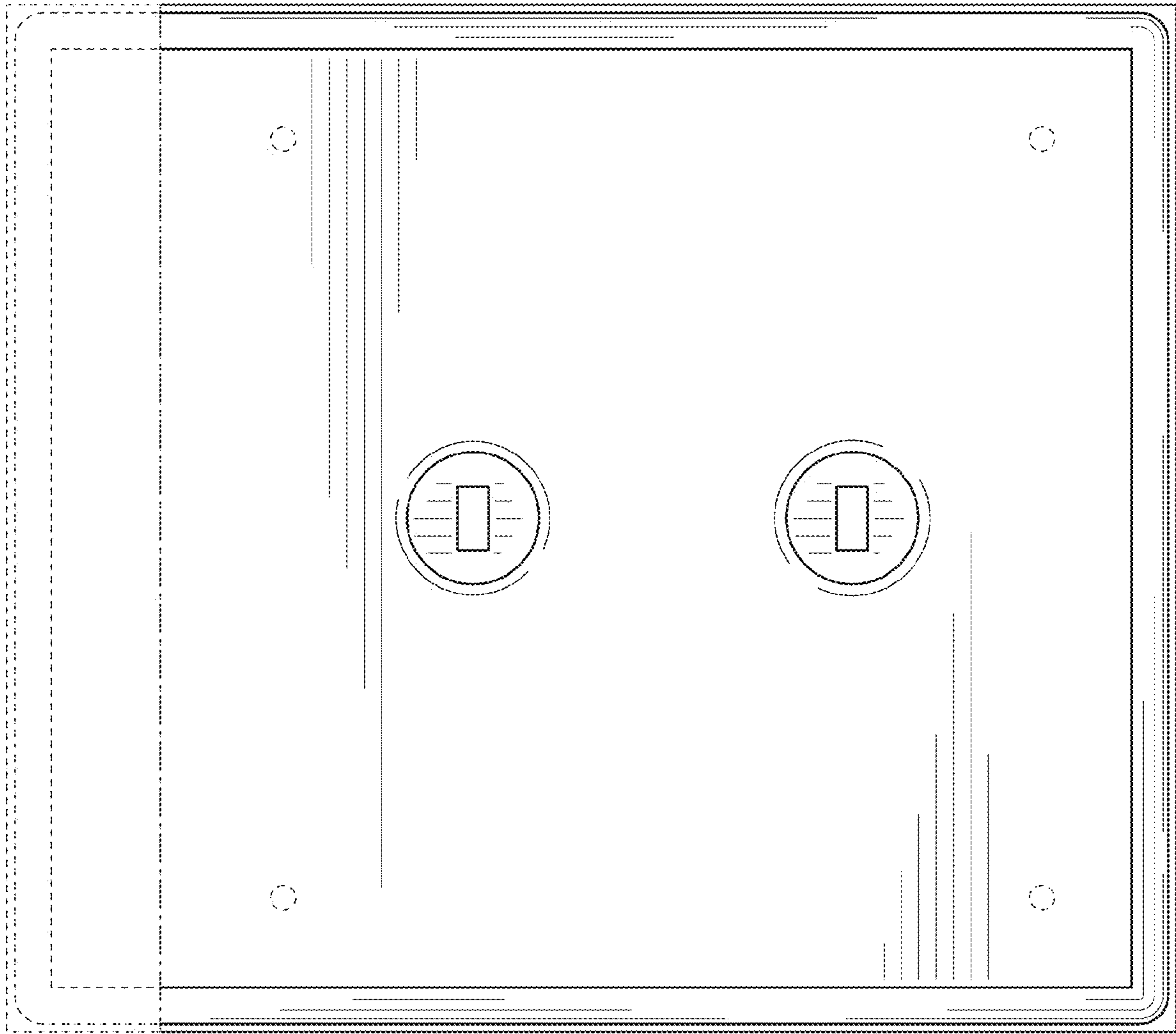


FIG. 3

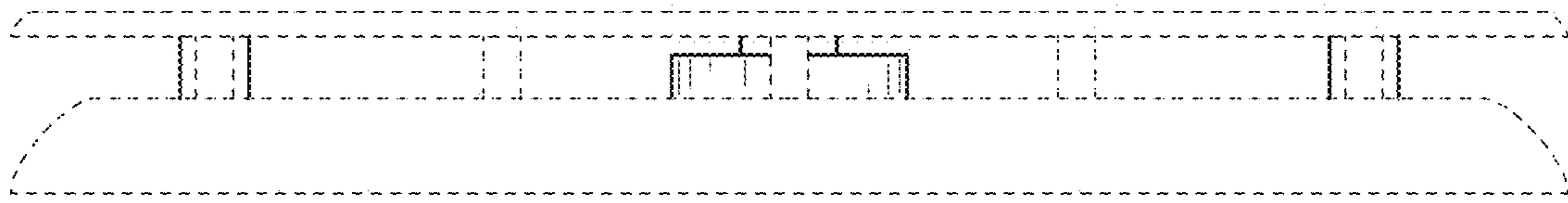


FIG. 4

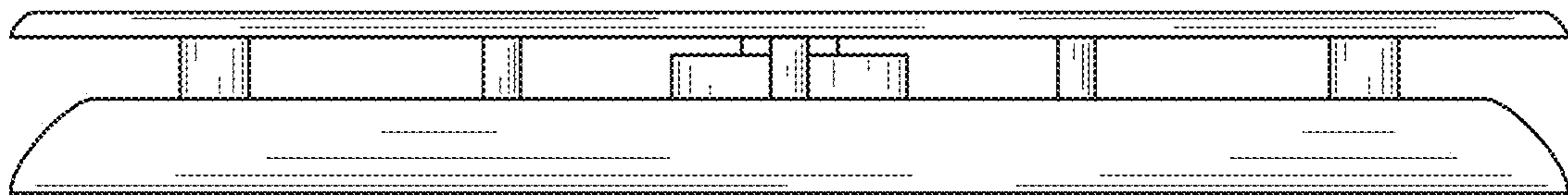


FIG. 5

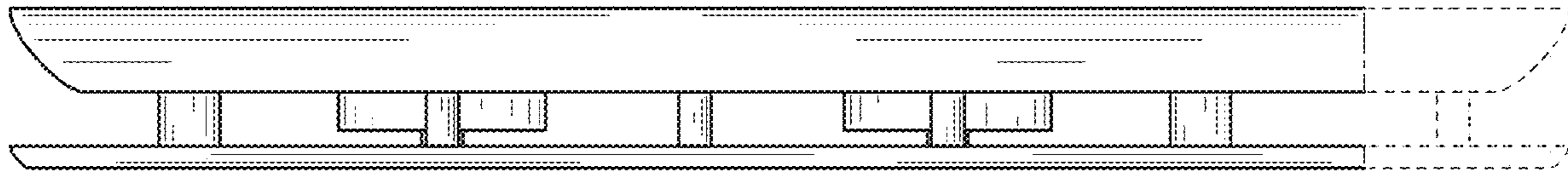


FIG. 6

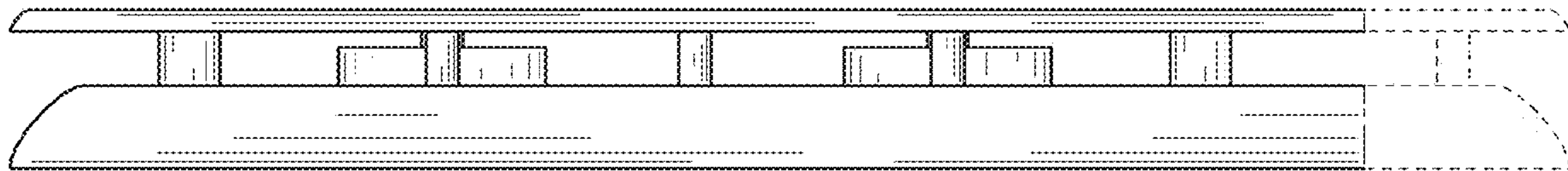


FIG. 7

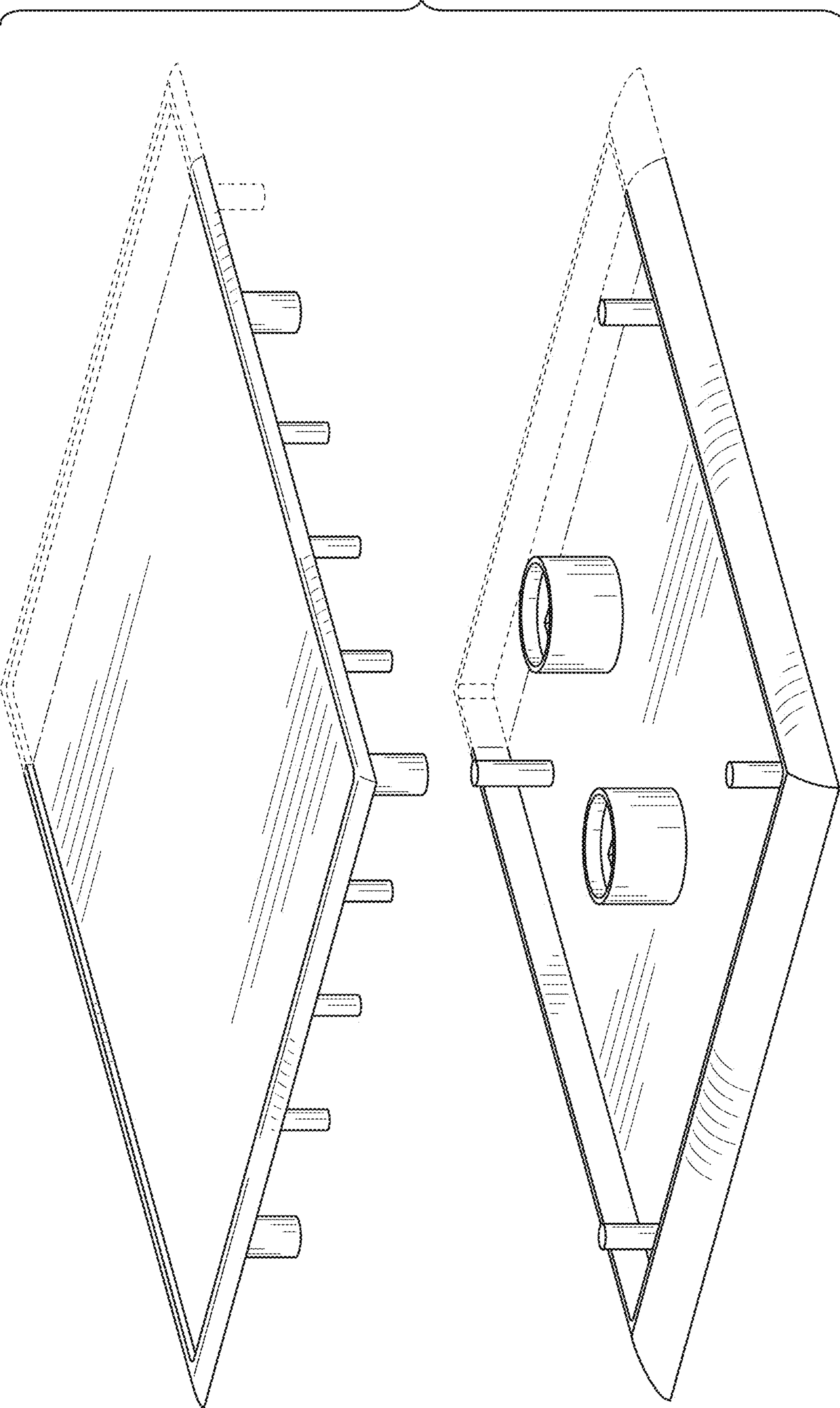


FIG. 8