



US00D884114S

(12) **United States Design Patent** (10) **Patent No.:** **US D884,114 S**
Weinland (45) **Date of Patent:** **** May 12, 2020**

(54) **SIGHT FOR FIREARM**
(71) Applicant: **Thomas Weinland**, Hamburg (DE)
(72) Inventor: **Thomas Weinland**, Hamburg (DE)
(**) Term: **15 Years**
(21) Appl. No.: **35/505,607**
(22) Filed: **Aug. 7, 2018**
(80) **Hague Agreement Data**
Int. Filing Date: **Aug. 7, 2018**
Int. Reg. No.: **DM/102552**
Int. Reg. Date: **Aug. 7, 2018**
Int. Reg. Pub. Date: **Sep. 7, 2018**

(30) **Foreign Application Priority Data**
Feb. 7, 2018 (EM) 004699080-0001
Feb. 7, 2018 (EM) 004699080-0002
Feb. 7, 2018 (EM) 004699080-0003

(51) **LOC (12) Cl.** **22-01**
(52) **U.S. Cl.**
USPC **D22/109**
(58) **Field of Classification Search**
USPC D22/108-109
CPC . F41G 11/003; F41G 1/00; F41G 1/16; F41G
1/345
See application file for complete search history.

(56) **References Cited**
U.S. PATENT DOCUMENTS
D675,281 S * 1/2013 Speroni D22/109
D705,890 S * 5/2014 Fitzpatrick D22/109

D724,691 S * 3/2015 Barfoot D22/109
D733,251 S * 6/2015 Hu D22/109
D736,338 S * 8/2015 Fitzpatrick D22/109
9,683,811 B1 * 6/2017 Warensford F41G 1/16
D807,464 S * 1/2018 Warensford D22/109
10,222,179 B2 * 3/2019 Smith F41G 11/003
D848,567 S * 5/2019 Soejima D22/109
2013/0180152 A1 * 7/2013 Speroni F41C 27/00
42/99
2013/0255129 A1 * 10/2013 Curry F41G 1/00
42/144
2015/0198414 A1 * 7/2015 Raybman F41G 1/17
42/111

* cited by examiner

Primary Examiner — Michael A. Pratt

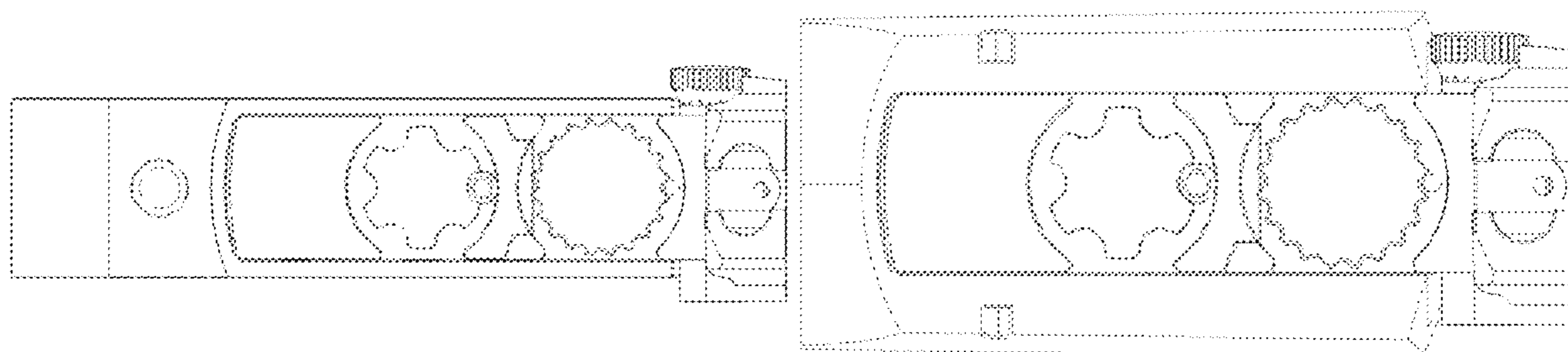
(57) **CLAIM**

The ornamental design for sight for firearm, as shown and described.

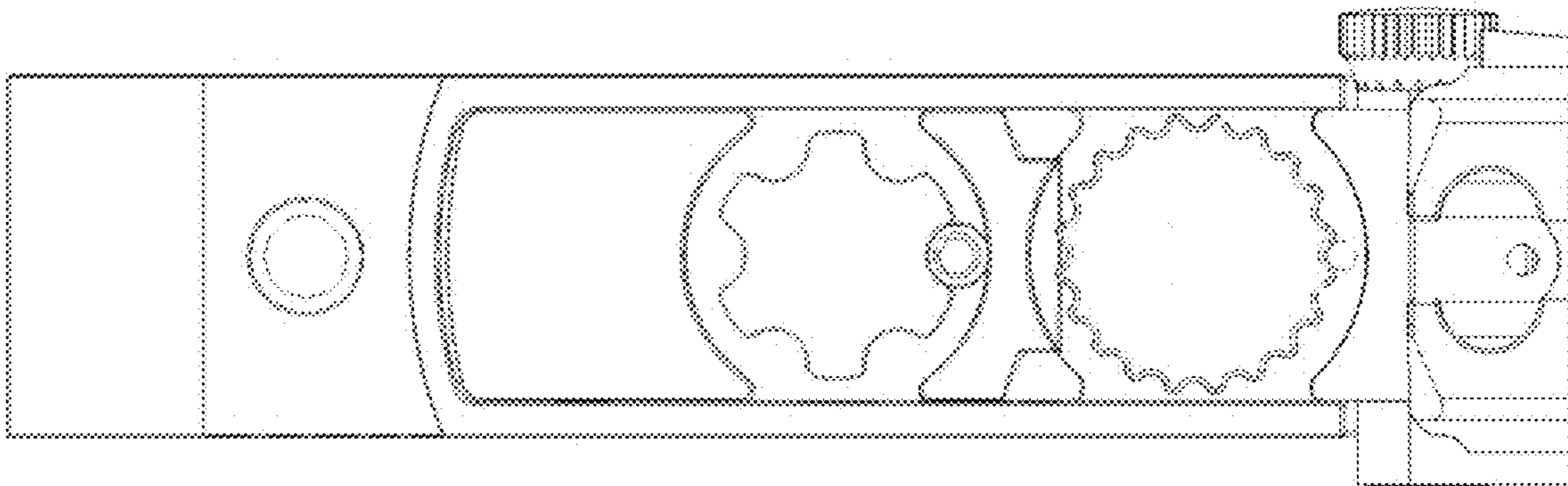
DESCRIPTION

- 1.-4. Sight for firearm
- 1.1 : Top
- 1.2 : Back
- 1.3 : Left
- 1.4 : Right
- 1.5 : Bottom
- 1.6 : Front
- 4.1 : Top
- 4.2 : Back
- 4.3 : Left
- 4.4 : Right
- 4.5 : Front

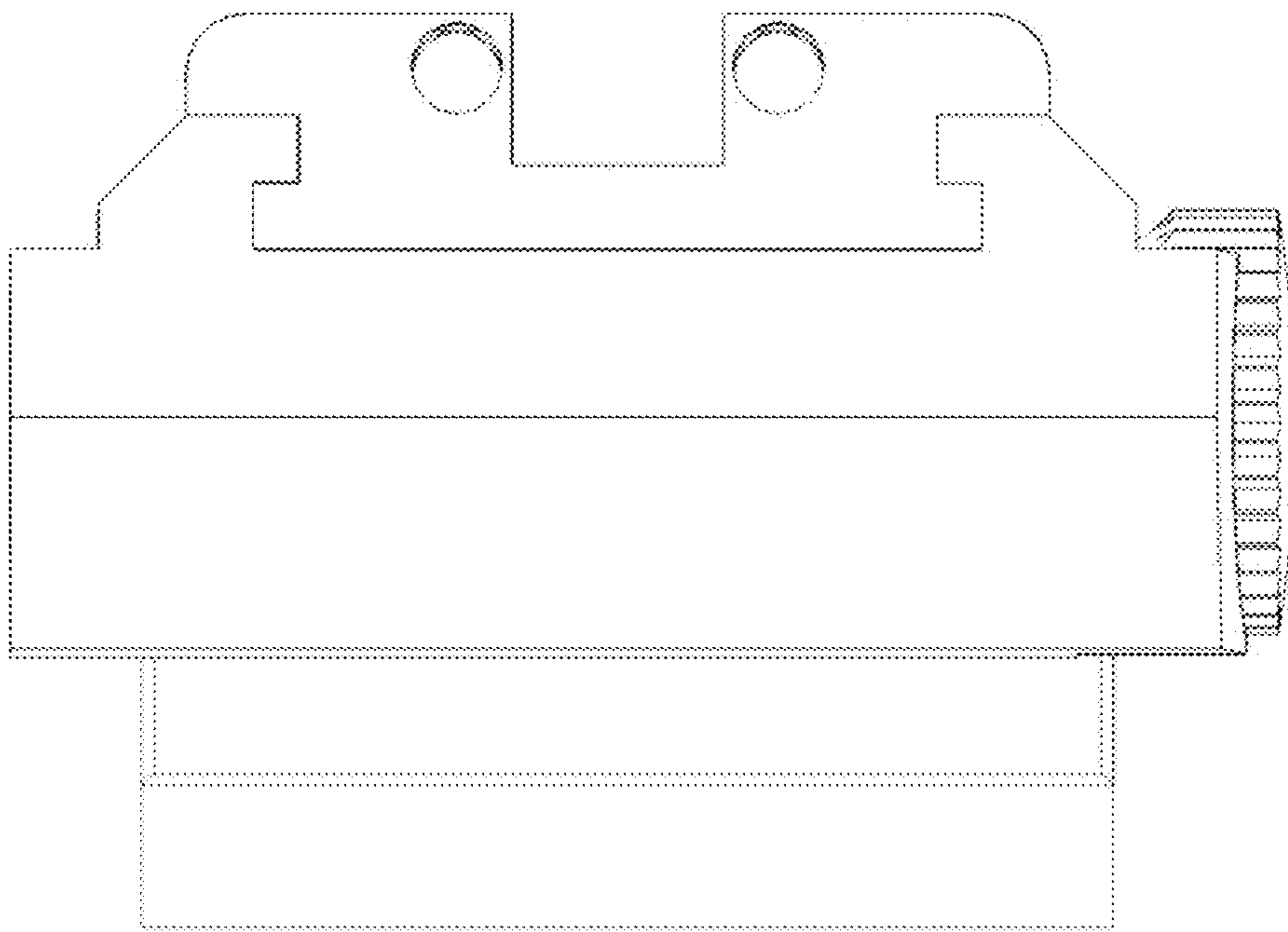
1 Claim, 11 Drawing Sheets

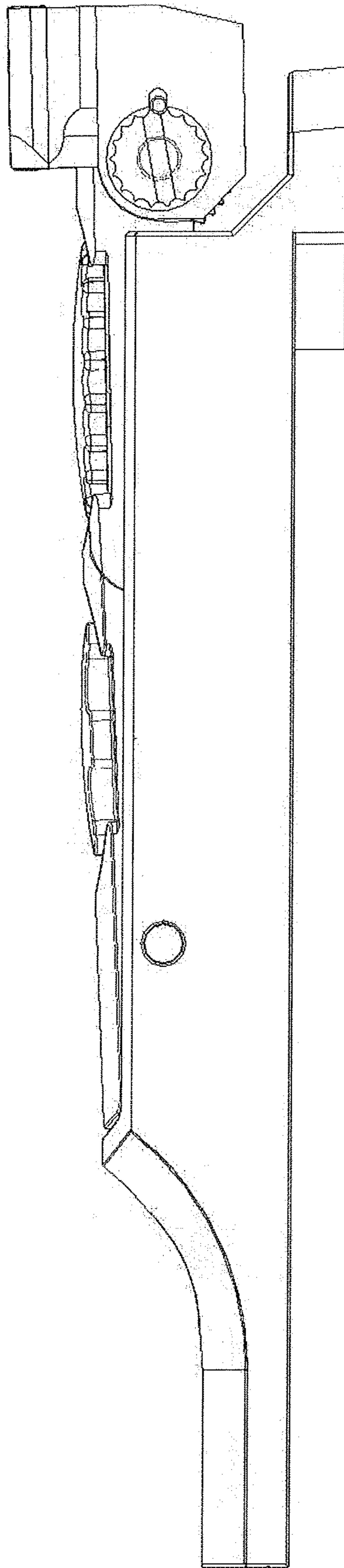


1.1



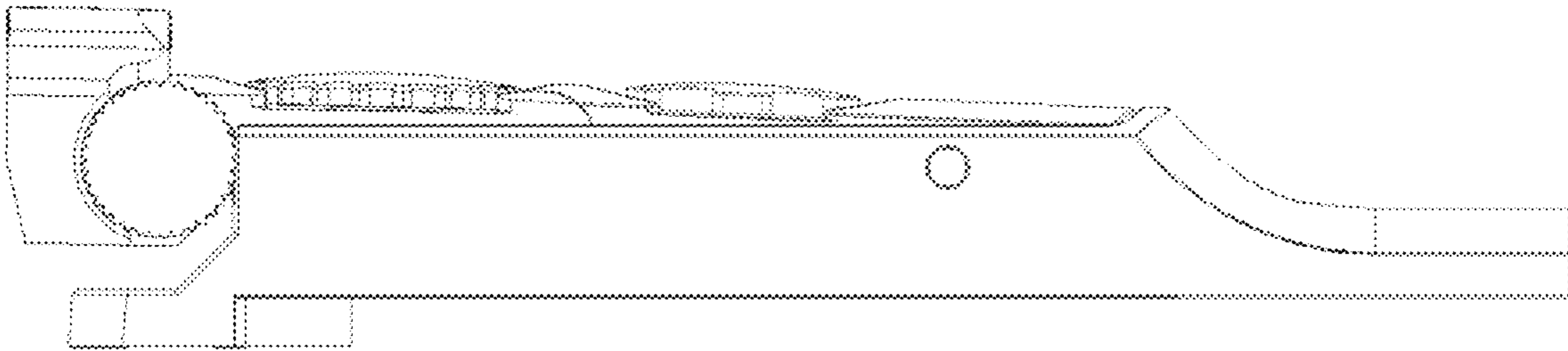
1.2



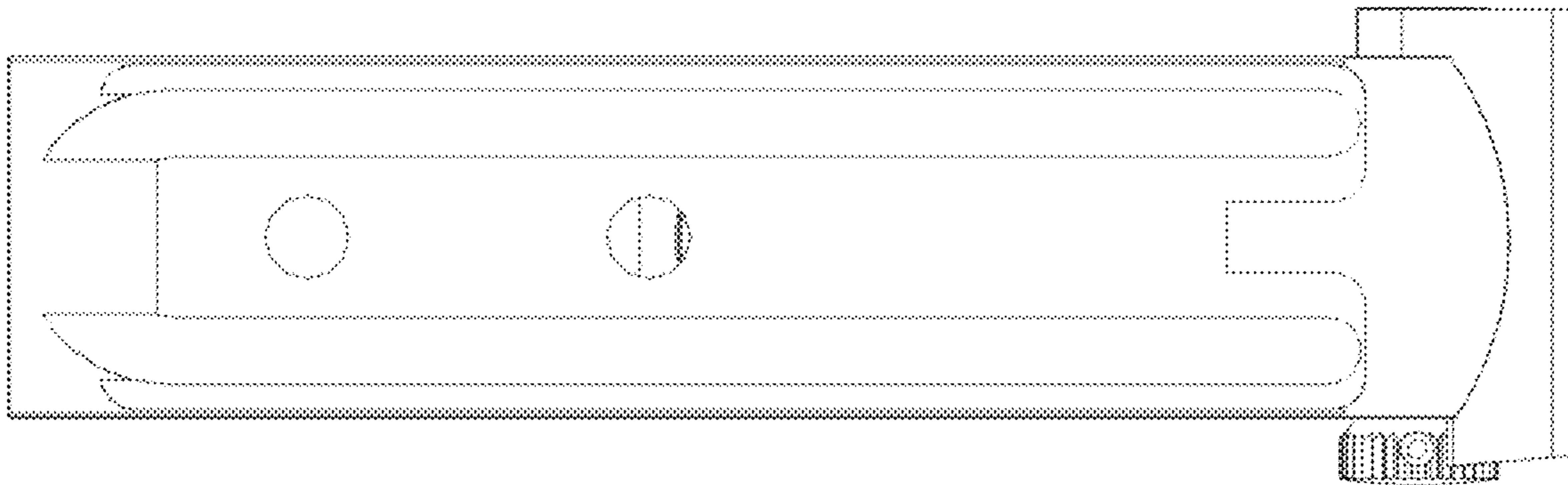


1.3

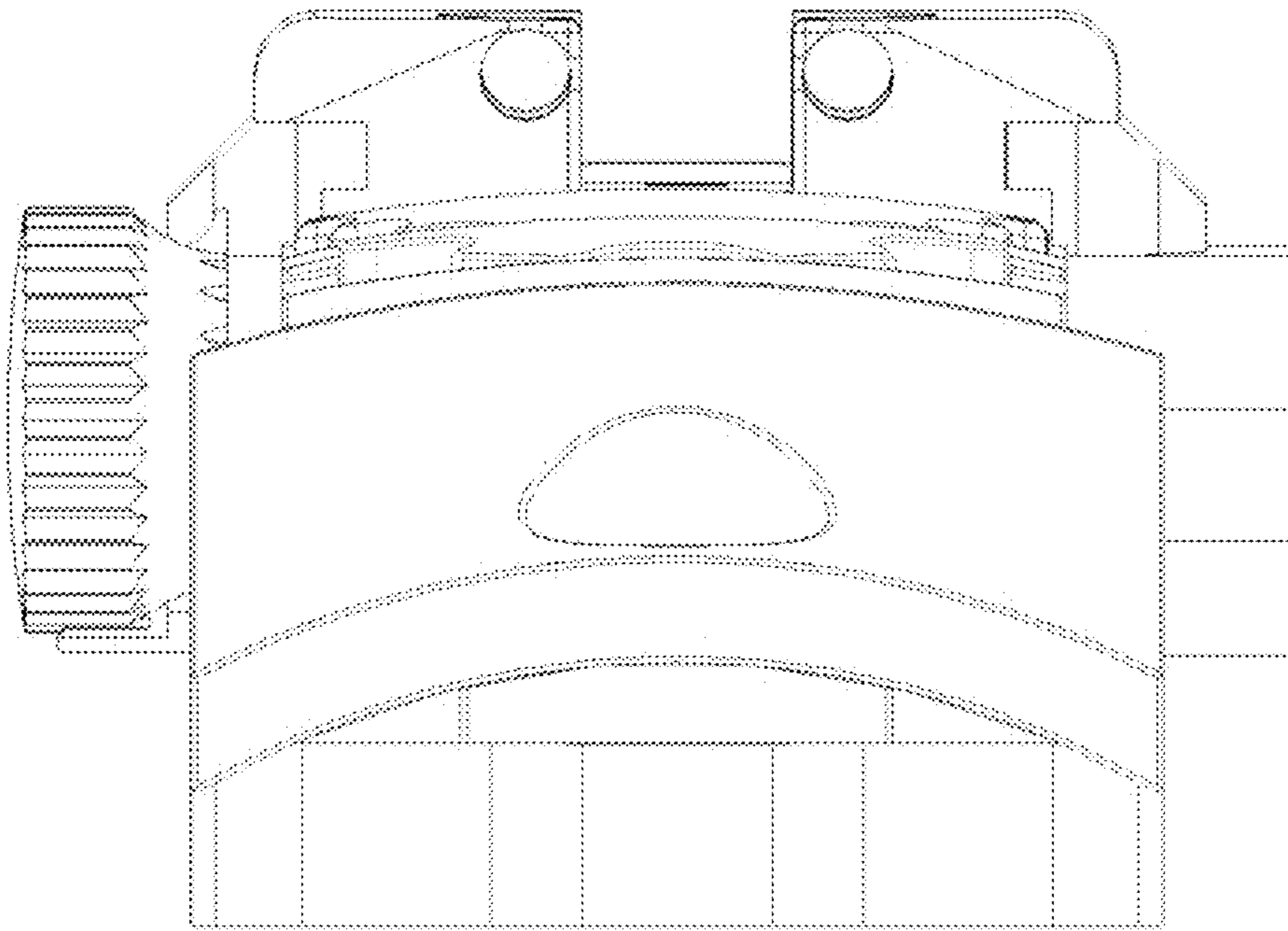
1.4



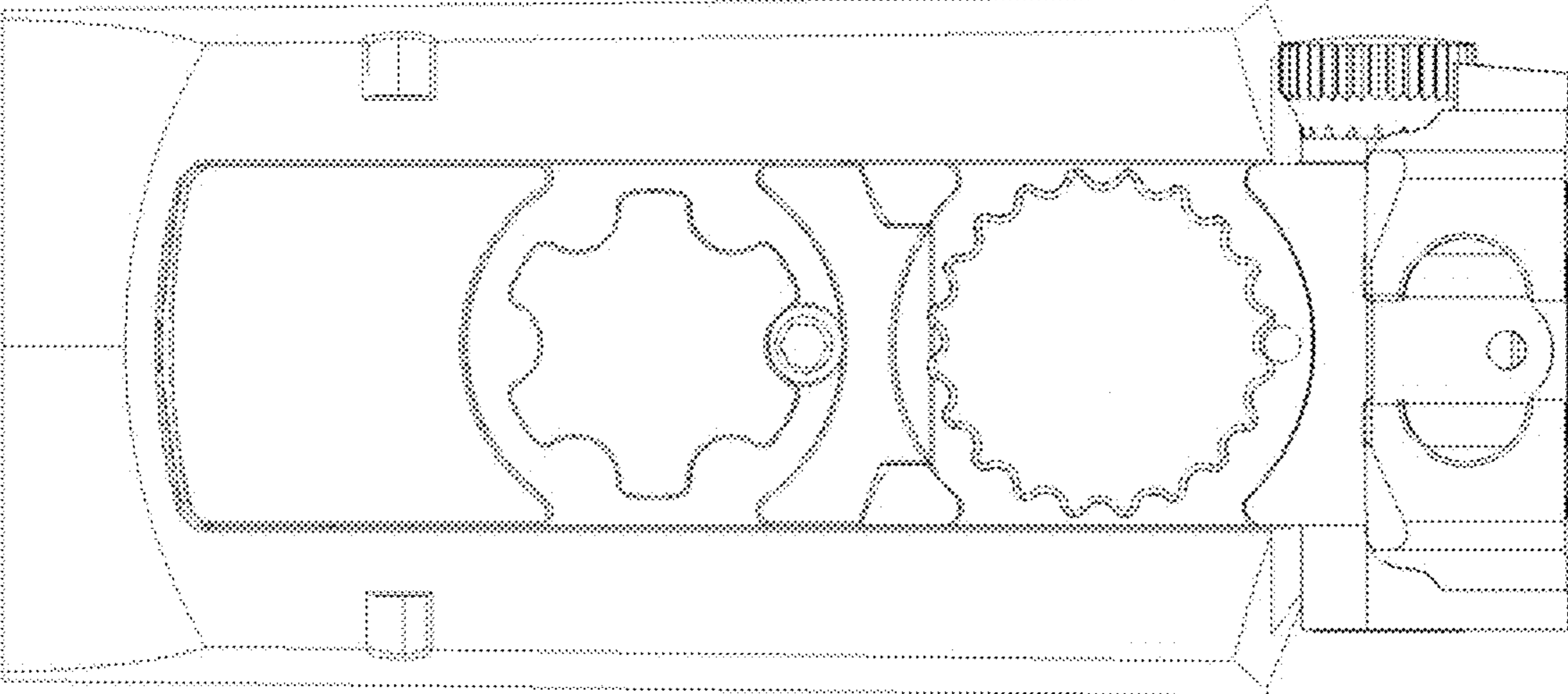
1.5



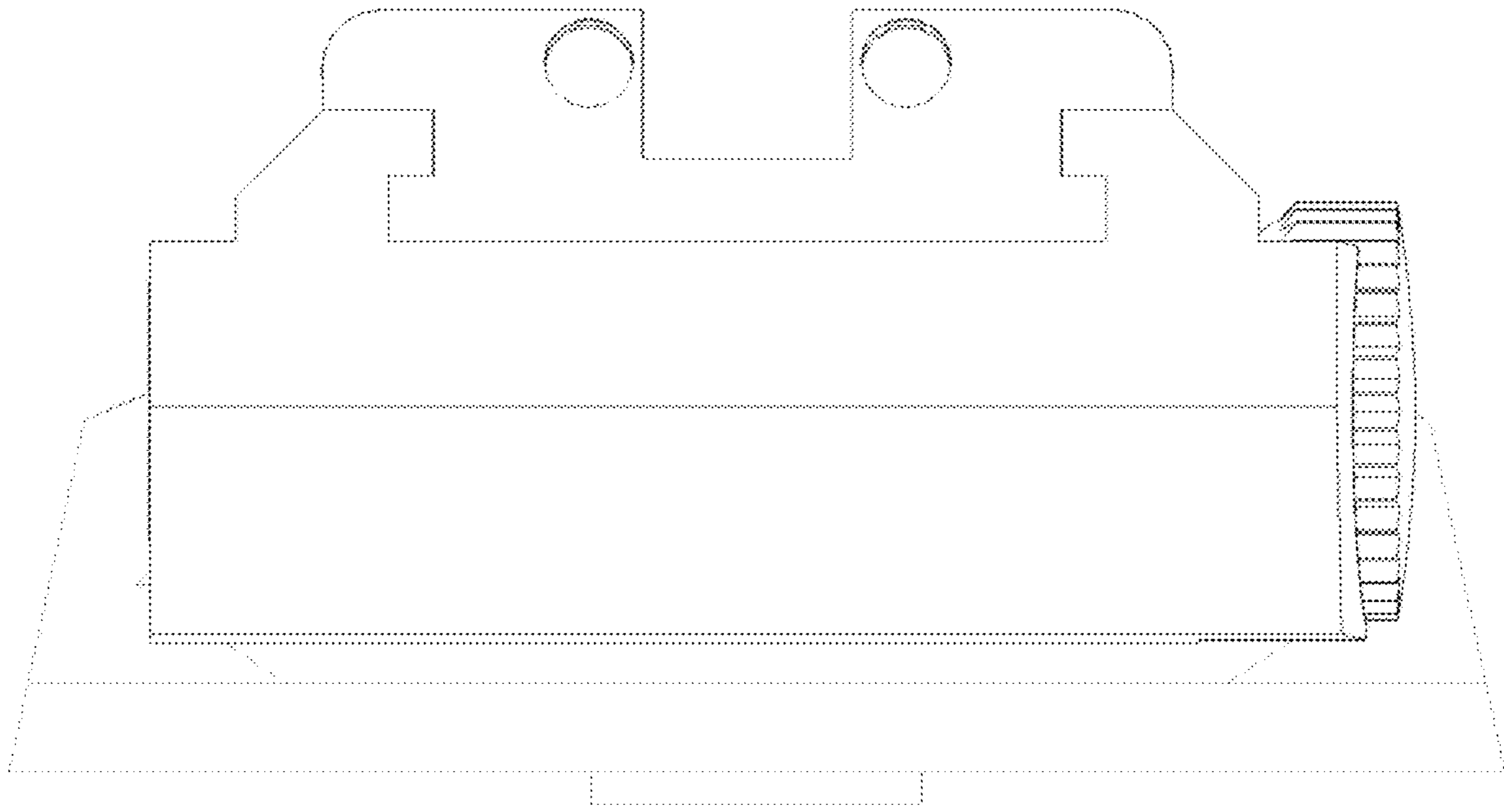
1.6



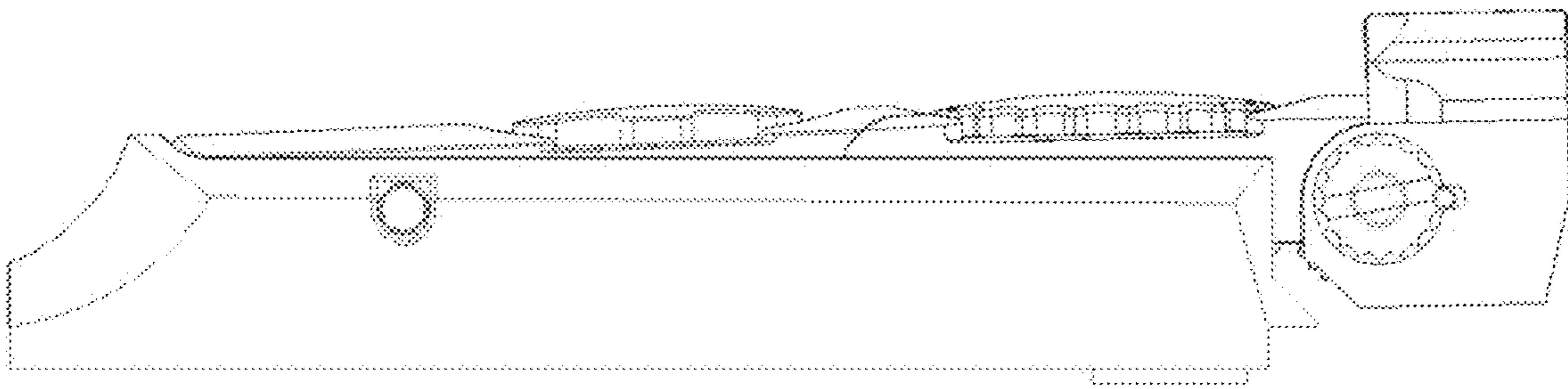
4.1



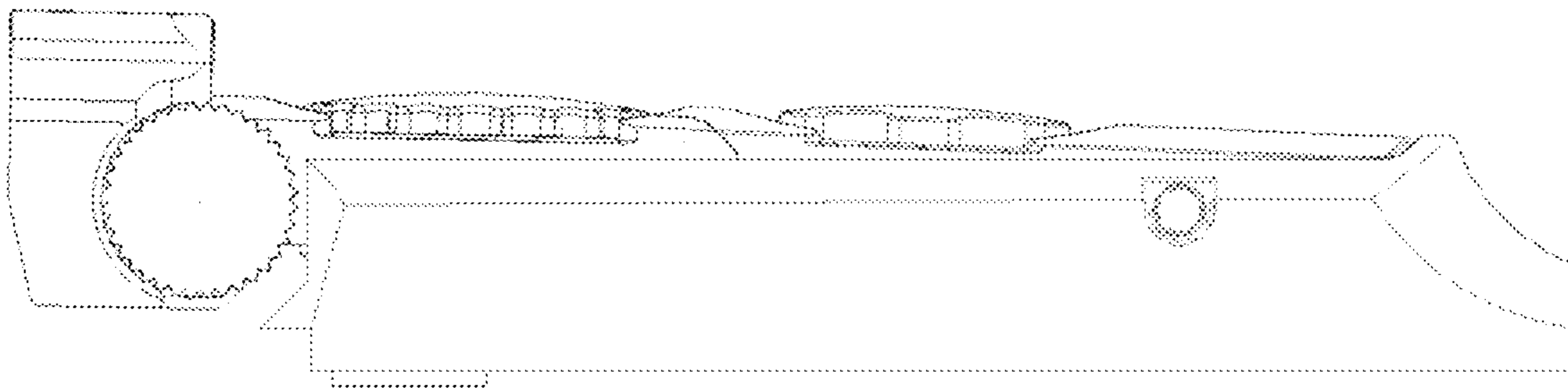
4.2



4.3



4.4



4.5

