



US00D884112S

(12) **United States Design Patent** (10) **Patent No.:** **US D884,112 S**
Johnston et al. (45) **Date of Patent:** **** May 12, 2020**

(54) **SCOPE**

(71) Applicant: **CRIMSON TRACE CORPORATION**, Wilsonville, OR (US)
(72) Inventors: **William Johnston**, Sherwood, OR (US); **Jason Clark**, Wilsonville, OR (US); **Eric Petterson**, Wilsonville, OR (US); **Eric David Marvin**, Wilsonville, OR (US)
(73) Assignee: **CRIMSON TRACE CORPORATION**, Springfield, MA (US)

(**) Term: **15 Years**

(21) Appl. No.: **29/665,031**

(22) Filed: **Sep. 28, 2018**

(51) **LOC (12) Cl.** **22-01**

(52) **U.S. Cl.**
USPC **D22/109**

(58) **Field of Classification Search**
USPC D22/109; D16/132, 130, 133, 330, 134
CPC F41G 11/001; F41G 11/003; F41G 11/004;
F41G 1/00; F41G 1/38; F41G 11/005
See application file for complete search history.

(56) **References Cited**

U.S. PATENT DOCUMENTS

D681,152 S *	4/2013	Burzel	D22/109
D689,582 S *	9/2013	Radau	D22/109
D706,381 S *	6/2014	Gardiner	D22/109
D728,060 S *	4/2015	Vogl	D22/109
D728,061 S *	4/2015	Vogl	D22/109

* cited by examiner

Primary Examiner — Michael A. Pratt

(74) *Attorney, Agent, or Firm* — Schwabe Williamson & Wyatt, P.C.

(57) **CLAIM**

We claim an ornamental design for a scope, as shown and described.

DESCRIPTION

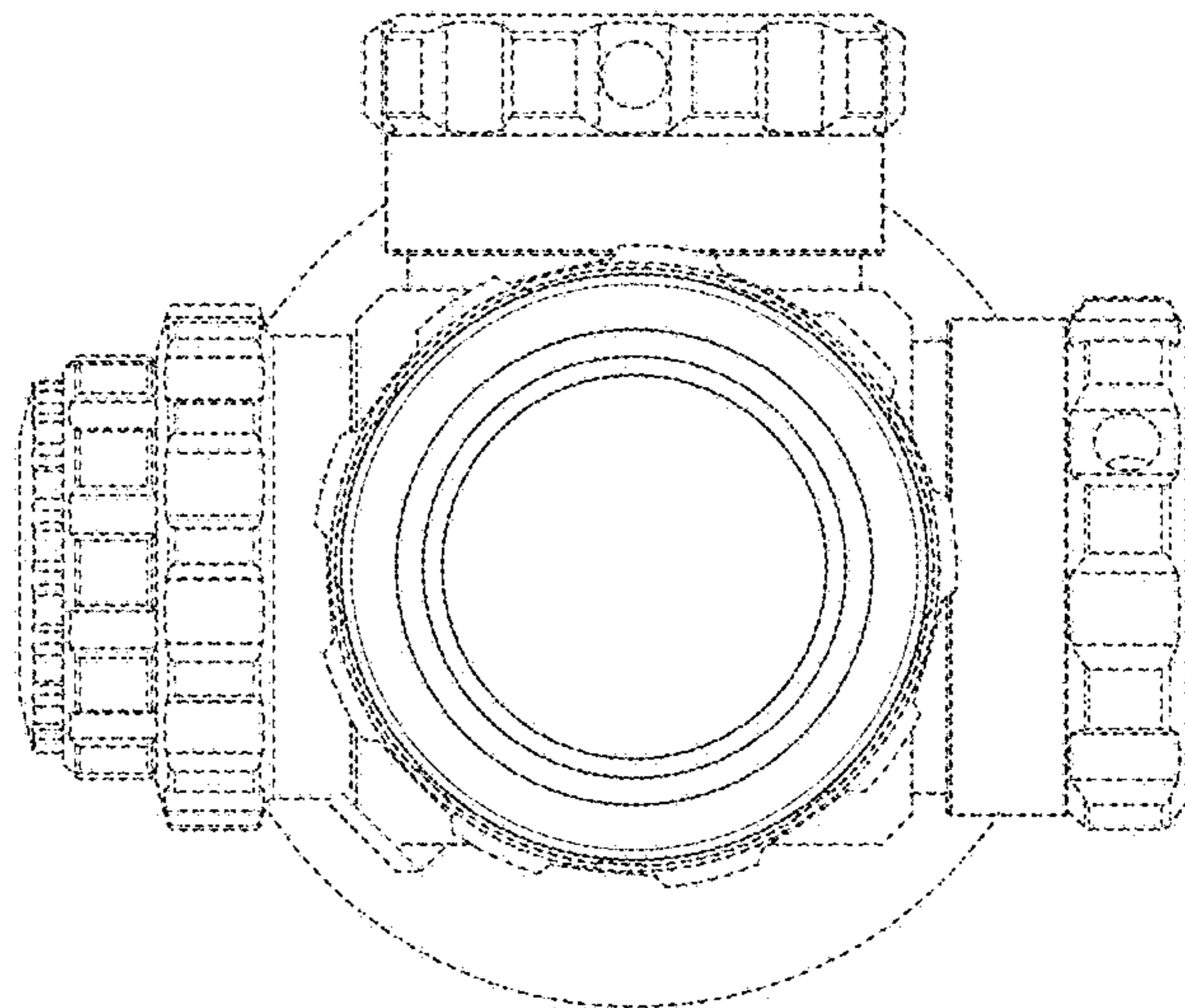
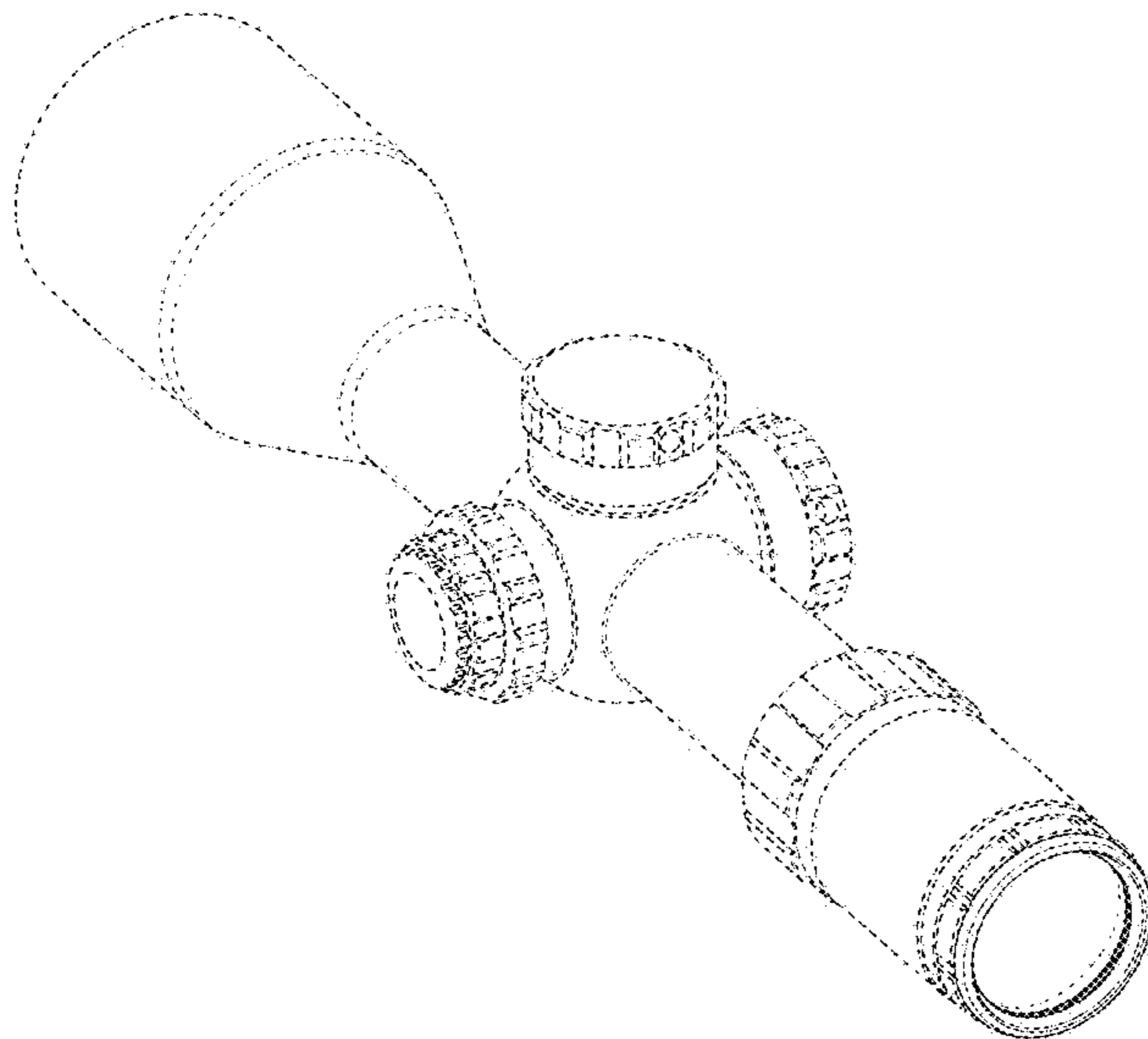
The patent or application file contains at least one drawing executed in color. Copies of this patent or patent application publication with color drawing(s) will be provided by the Office upon request and payment of the necessary fee.

FIG. 1 is a perspective view of a scope, showing our new design; and,

FIG. 2 is an end view thereof.

The dashed lines are included for illustrating unclaimed portions of the scope and form no part of the claimed design.

1 Claim, 2 Drawing Sheets
(1 of 2 Drawing Sheet(s) Filed in Color)



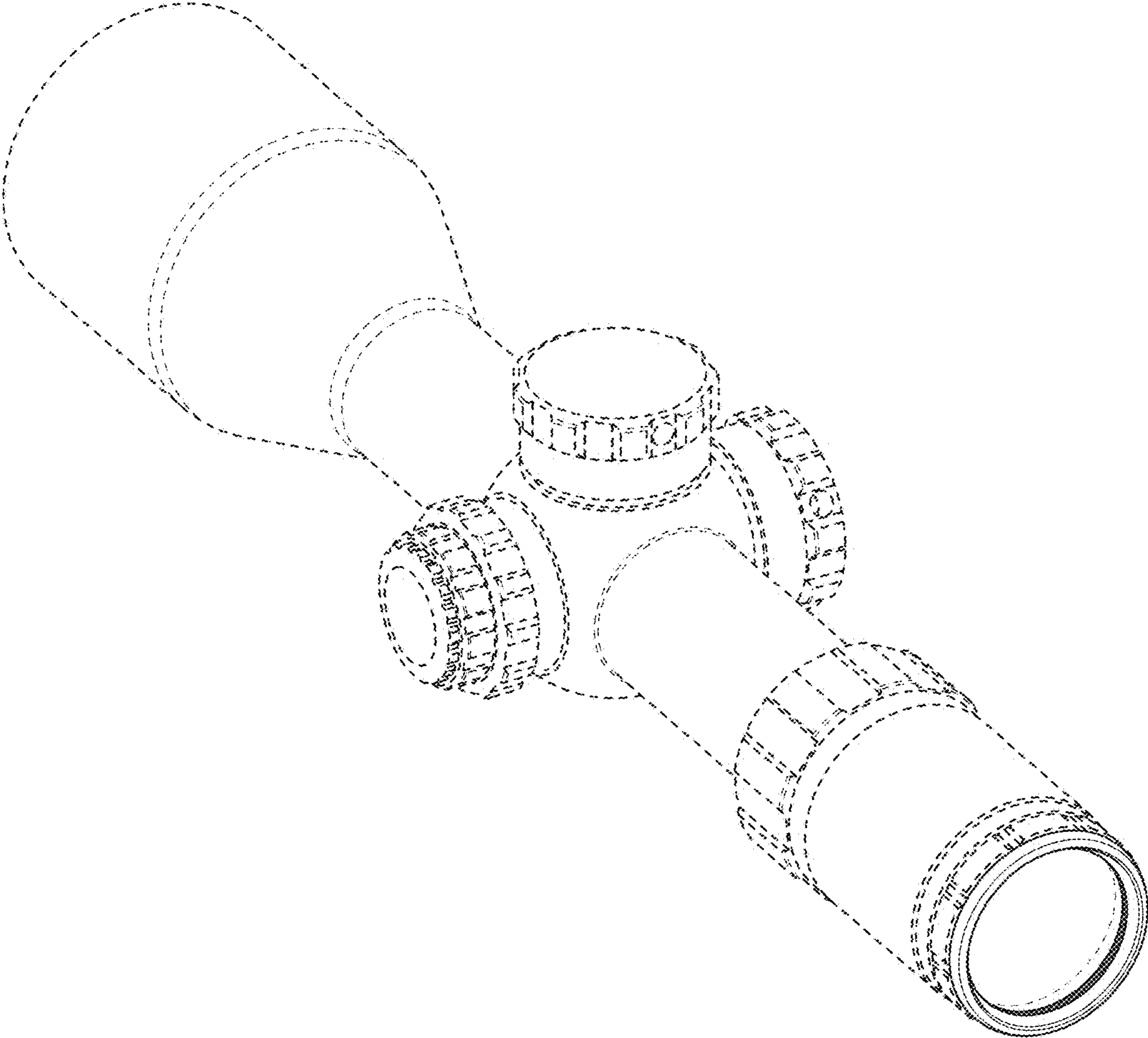


FIG. 1

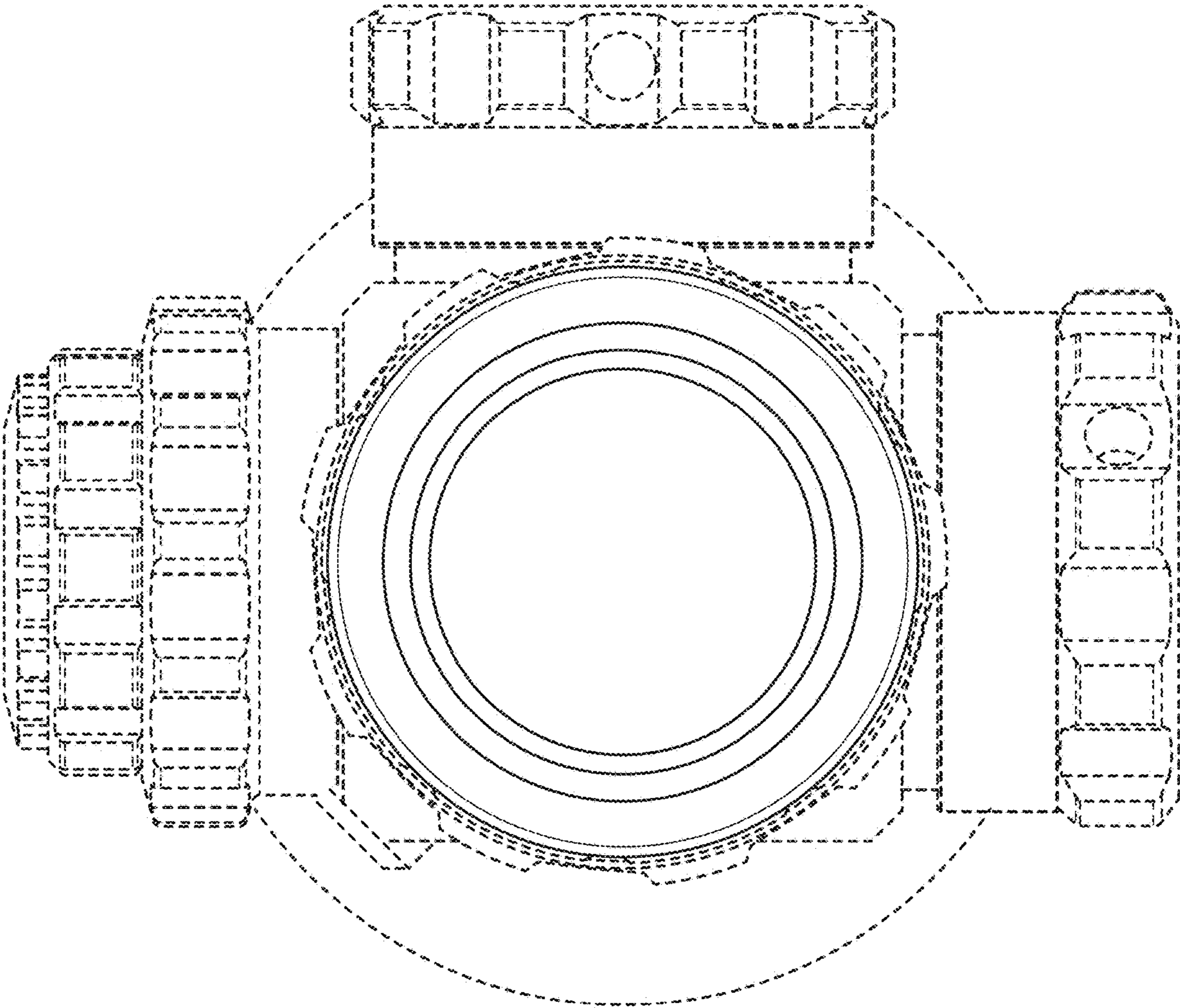


FIG. 2