



US00D884111S

(12) **United States Design Patent**  
**Amherst**

(10) **Patent No.:** **US D884,111 S**

(45) **Date of Patent:** **\*\* May 12, 2020**

(54) **SHOTGUN FOREND**

(71) Applicant: **Blue Kirin Design LLC**, Palm Harbor, FL (US)

(72) Inventor: **Megan Amherst**, Palm Harbor, FL (US)

(73) Assignee: **Blue Kirin Design LLC**, Palm Harbor, FL (US)

(\*\*) Term: **15 Years**

(21) Appl. No.: **29/679,206**

(22) Filed: **Feb. 4, 2019**

(51) **LOC (12) Cl.** ..... **22-01**

(52) **U.S. Cl.**  
USPC ..... **D22/108**

(58) **Field of Classification Search**  
USPC ..... D22/100, 103, 108, 109, 113, 115, 116, D22/199; D21/302, 567, 573  
CPC .... F41C 7/00; F41C 23/16; F41G 1/02; F41G 1/027; F41G 1/14; F41J 1/10; F42B 6/10; F42B 7/00; F42B 7/02; F41A 17/38  
See application file for complete search history.

(56) **References Cited**

**U.S. PATENT DOCUMENTS**

4,759,144	A *	7/1988	Egan	.....	F41A 17/38
					42/7
D428,101	S *	7/2000	Rost	.....	D22/100
6,141,895	A *	11/2000	Rost	.....	F41A 17/38
					42/6
D671,612	S *	11/2012	Azhocar	.....	F41A 17/38
					D22/108
D717,392	S *	11/2014	Fu	.....	D22/108
9,182,186	B1 *	11/2015	Prince	.....	F41A 17/38
9,518,792	B1 *	12/2016	Huang	.....	F41A 35/00
D779,620	S *	2/2017	Huang	.....	D22/108
D819,768	S *	6/2018	Dew	.....	D22/108

D873,372	S *	1/2020	Shelton	.....	D22/108
D875,872	S *	2/2020	Dew	.....	D22/108
2011/0146127	A1 *	6/2011	Metzger	.....	F41A 17/38
					42/7

**OTHER PUBLICATIONS**

“STREAMLIGHT® Introduces TL-Rackertm Shotgun Forend Light” [online]. officer.com. [Published Mar. 1, 2019]. Retrieved from the Internet: <<https://www.officer.com/tactical/firearm-accessories/nmounted-lights/press-release/21070535/streamlight-inc-streamlight-introduces-tlrackertm-shotgun-forend-light>>.\*

“Insight’s Tactical Shotgun Forend Light” [online]. Jorge Amselle. [Published Nov. 7, 2012]. Retrieved from the Internet: <<https://www.personaldefenseworld.com/2012/11/insights-tactical-shotgun-forend-light/>>.\*

\* cited by examiner

*Primary Examiner* — Khawaja Anwar

*Assistant Examiner* — Mojtaba Tehrani

(74) *Attorney, Agent, or Firm* — Larson & Larson, P.A.; Justin P. Miller; Frank Liebenow

(57) **CLAIM**

I claim the ornamental design for a shotgun forend, as shown and described.

**DESCRIPTION**

FIG. 1 is a bottom-left-perspective view of a shotgun forend showing my new design;

FIG. 2 is a top-left-perspective view thereof;

FIG. 3 is a first cross-sectional view thereof;

FIG. 4 is a second cross-sectional view thereof;

FIG. 5 is a third cross-sectional view thereof;

FIG. 6 is a fourth cross-sectional view thereof;

FIG. 7 is a bottom plan view thereof;

FIG. 8 is a top plan view thereof;

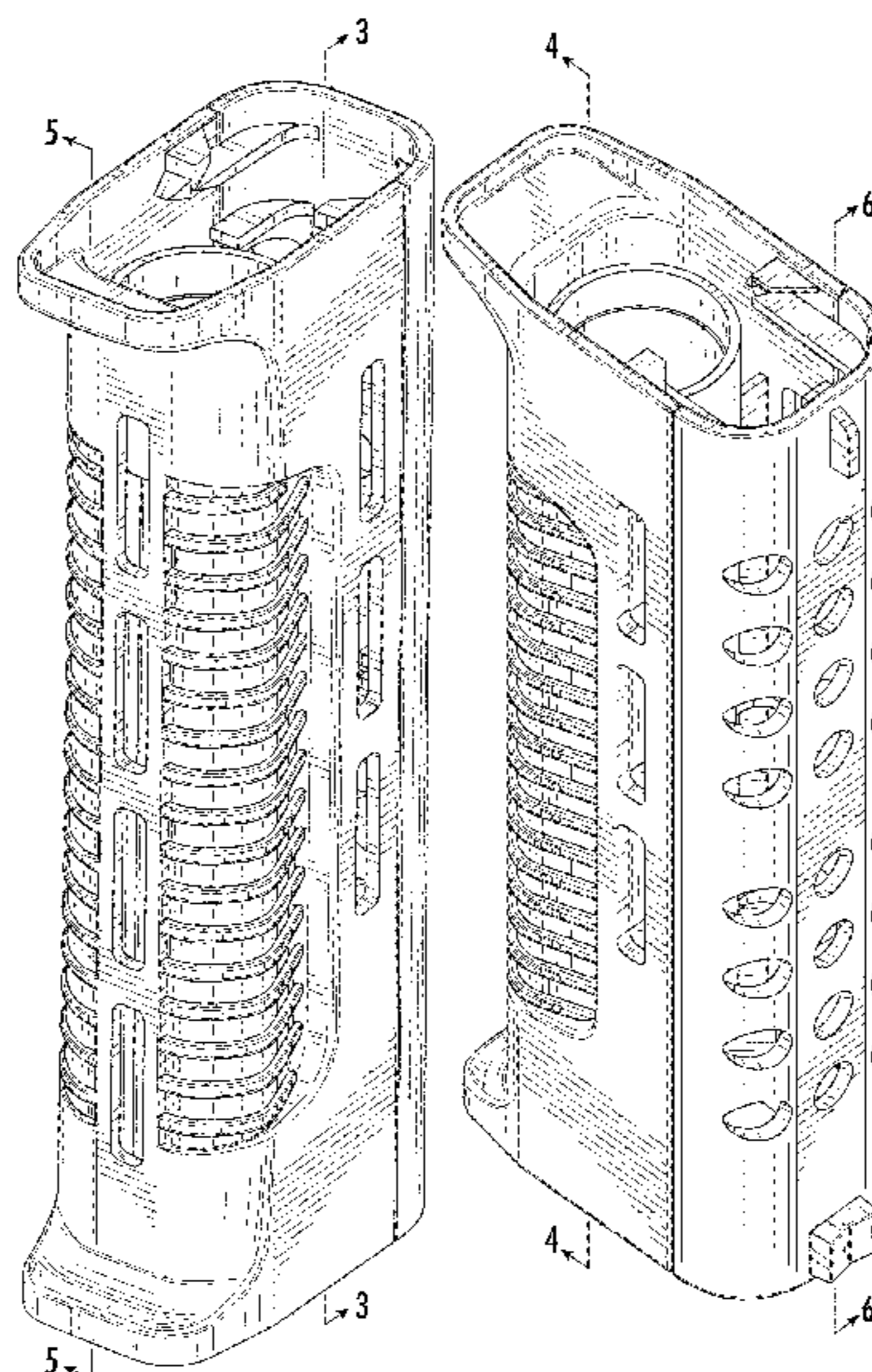
FIG. 9 is a left-side elevation view thereof;

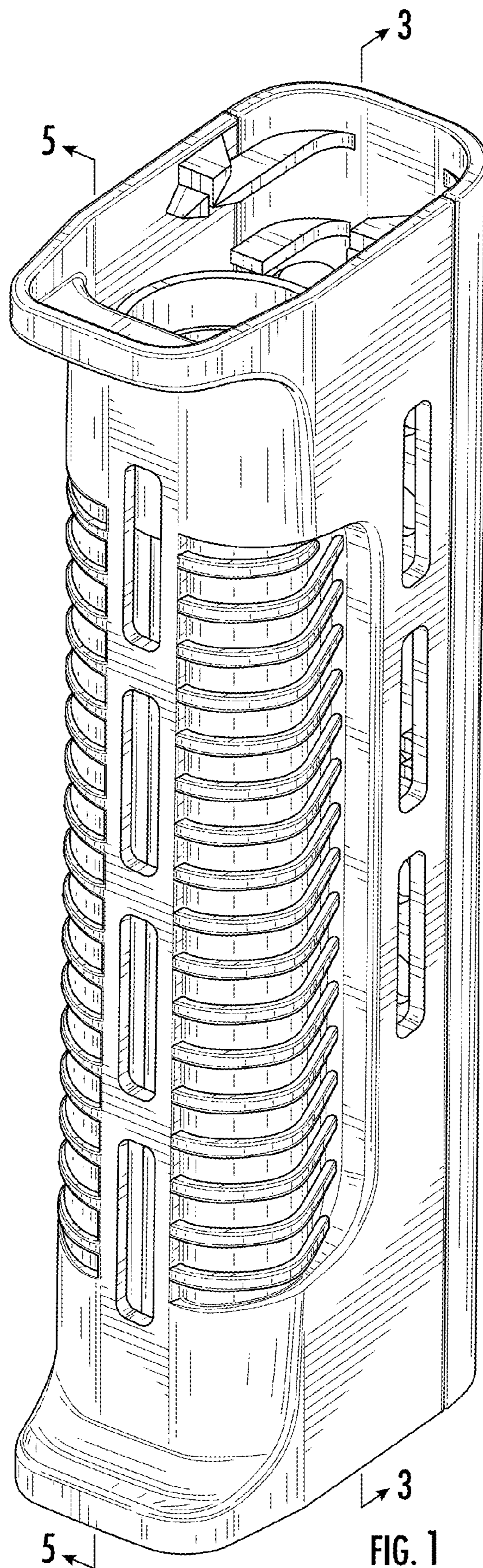
FIG. 10 is a right-side elevation view thereof;

FIG. 11 is a front elevation view thereof; and,

FIG. 12 is a back elevation thereof.

**1 Claim, 11 Drawing Sheets**





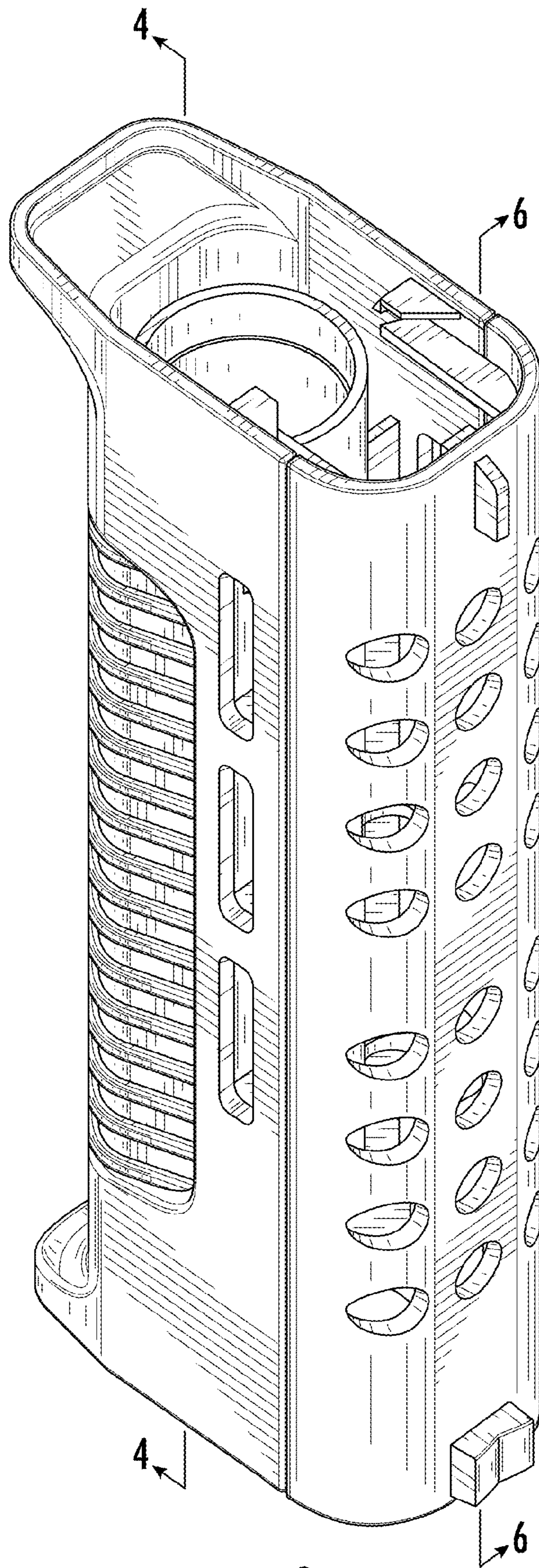


FIG. 2

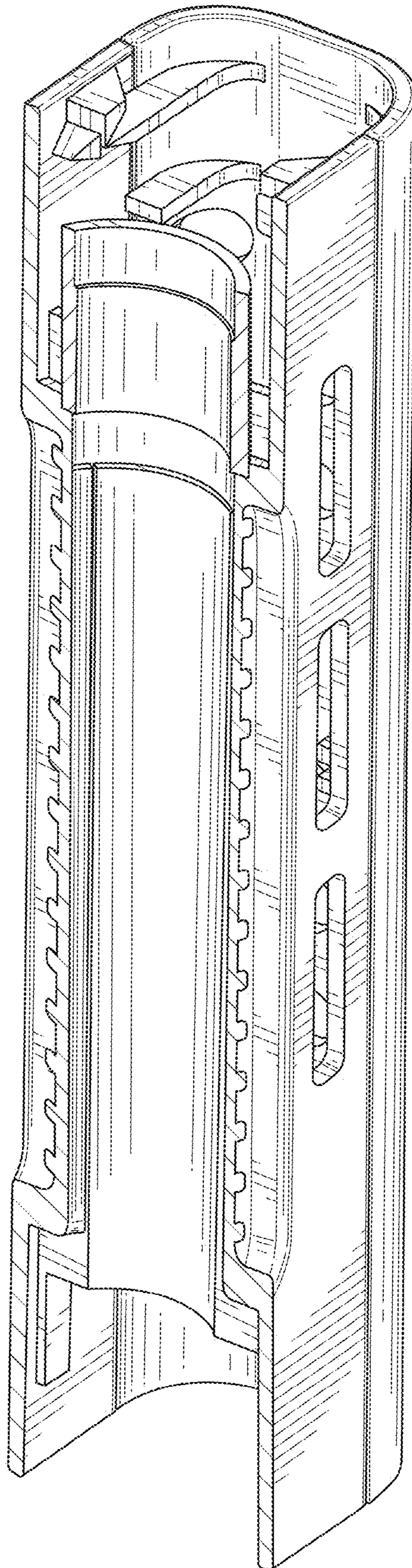


FIG. 3

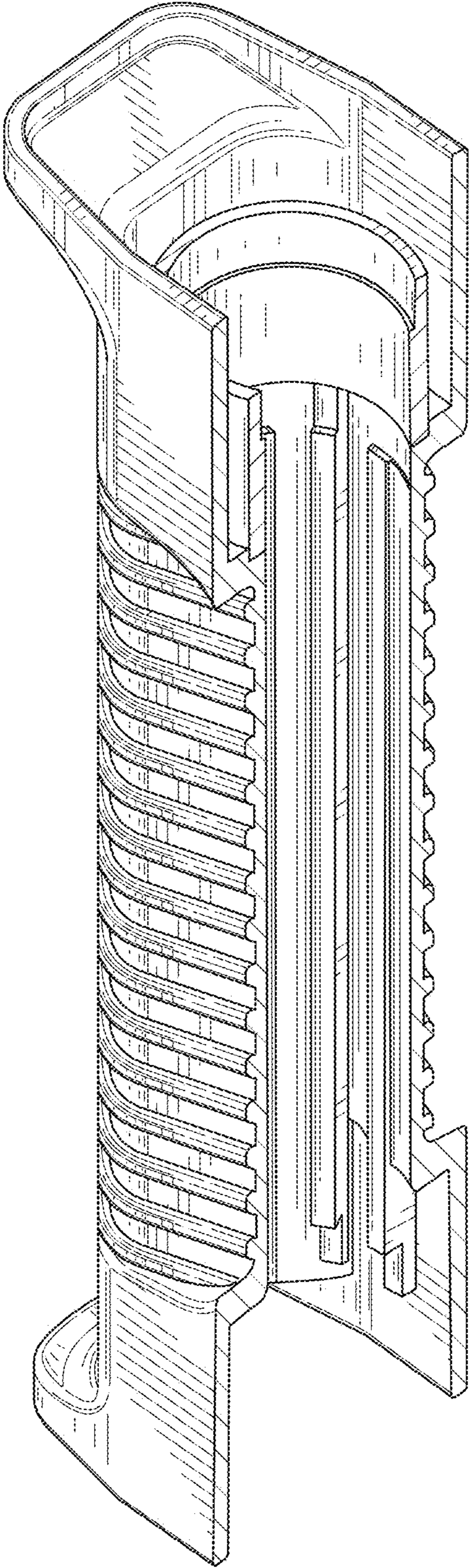


FIG. 4

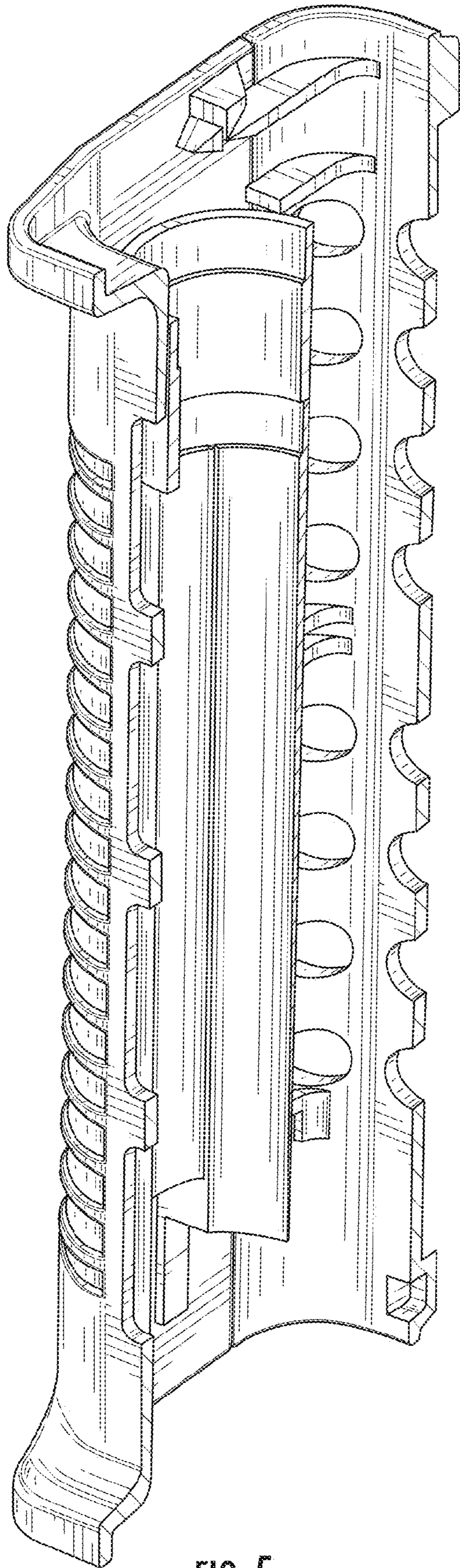


FIG. 5

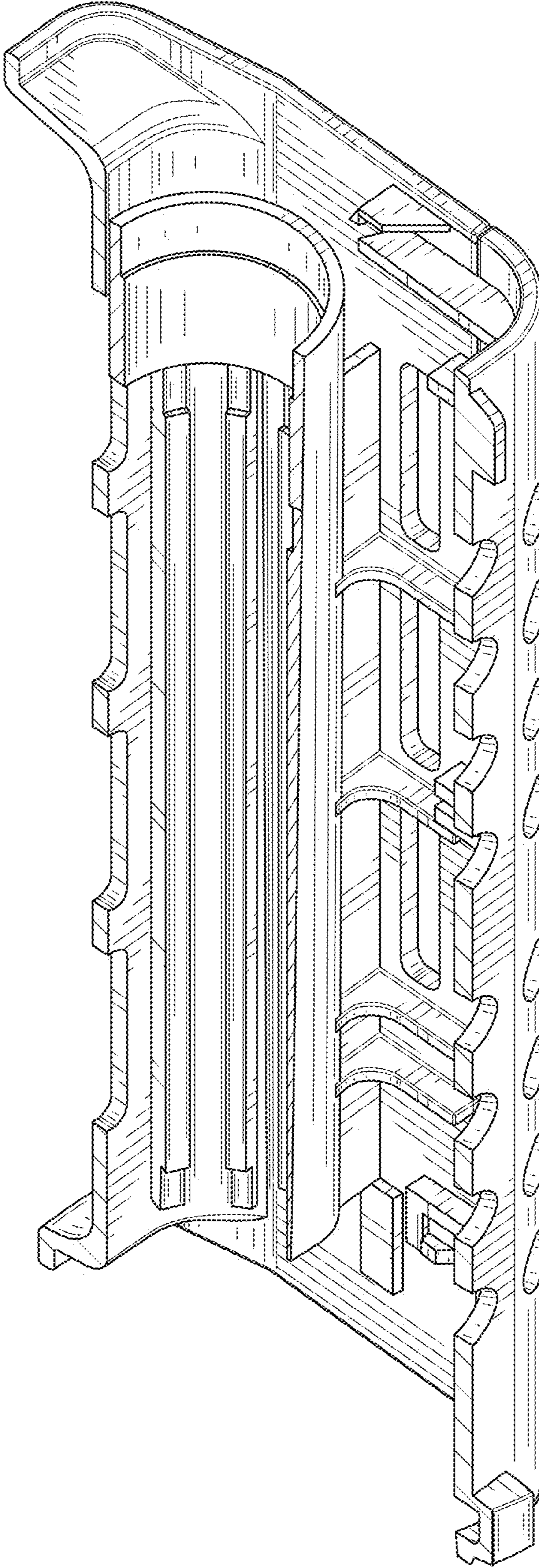


FIG. 6

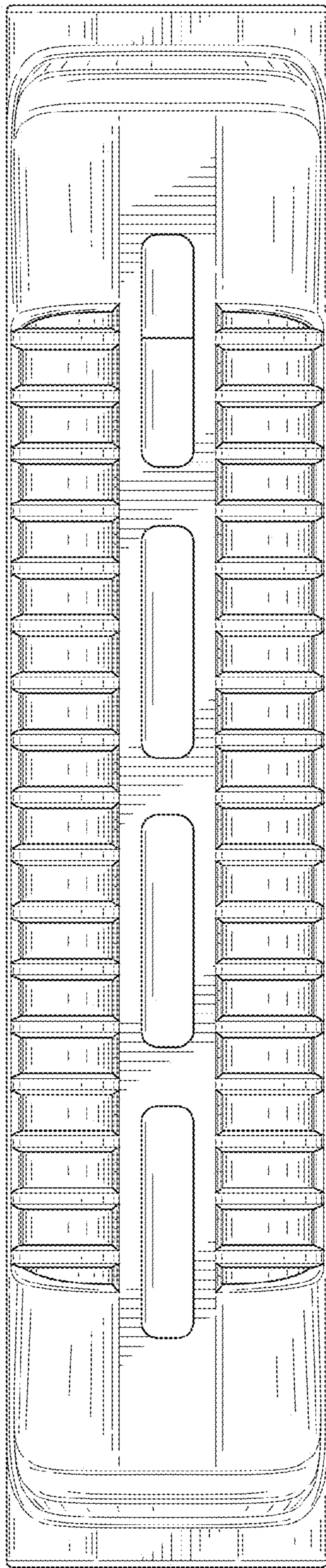


FIG. 7



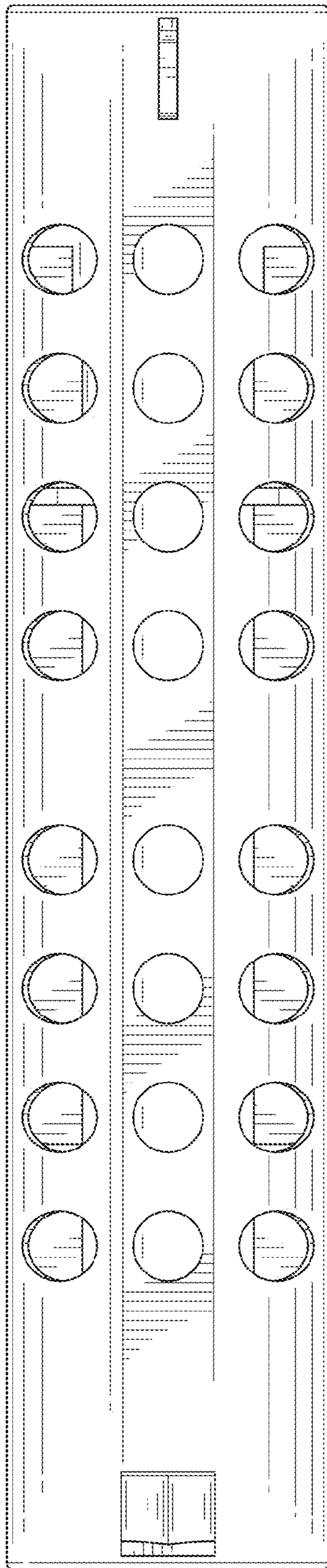


FIG. 8

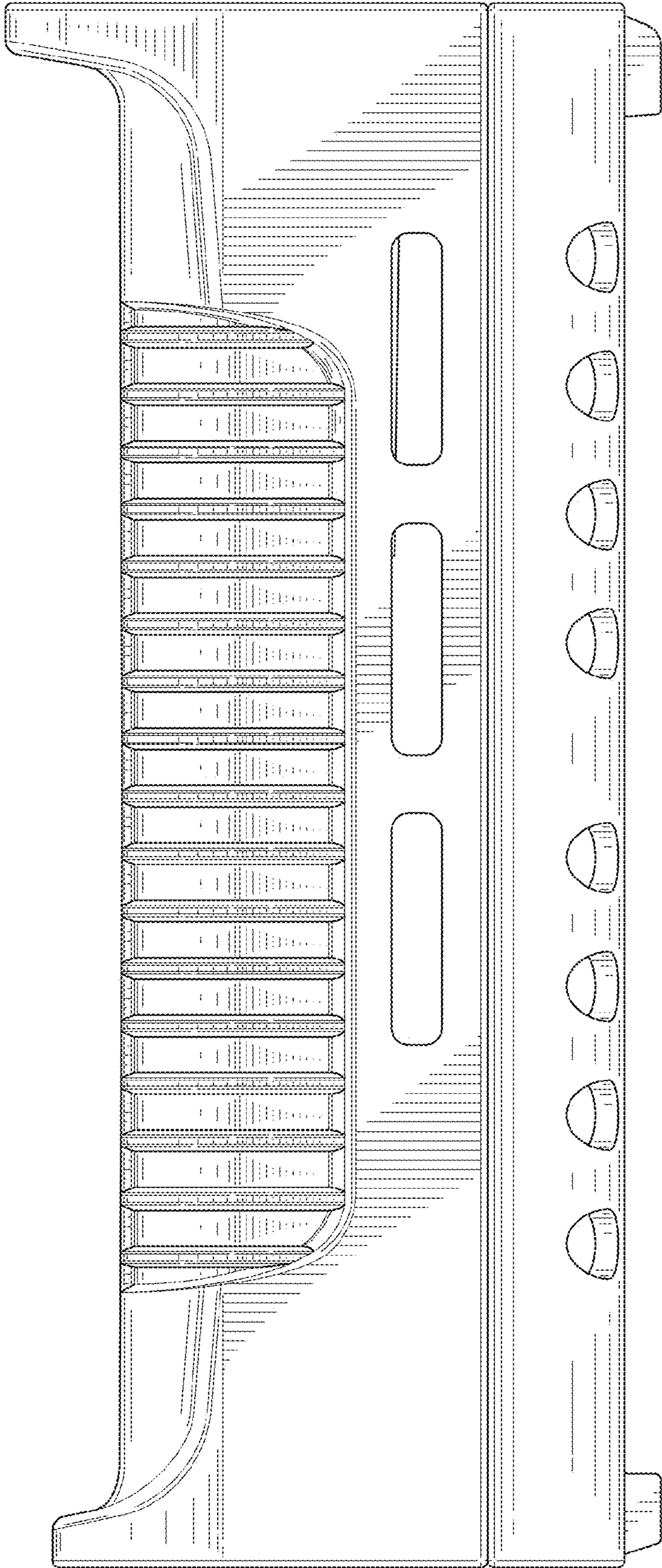


FIG. 9

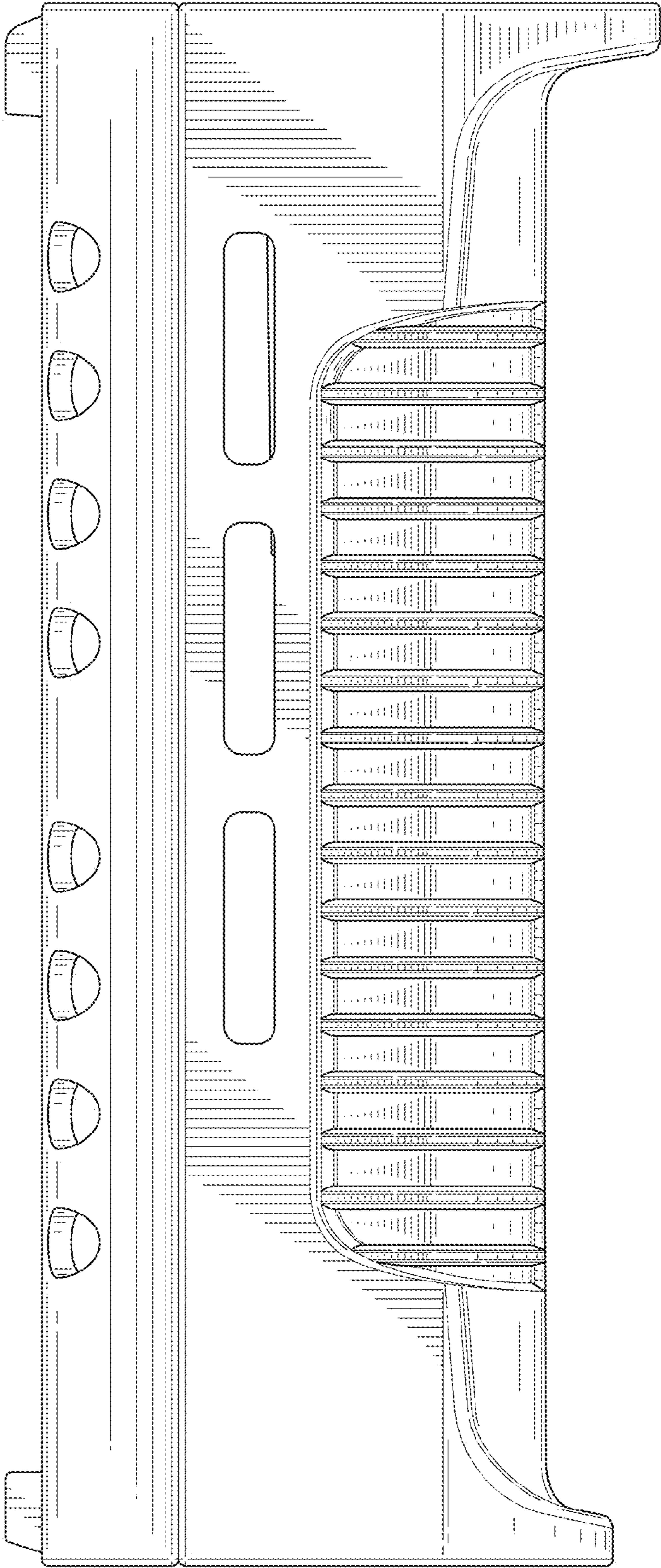


FIG. 10

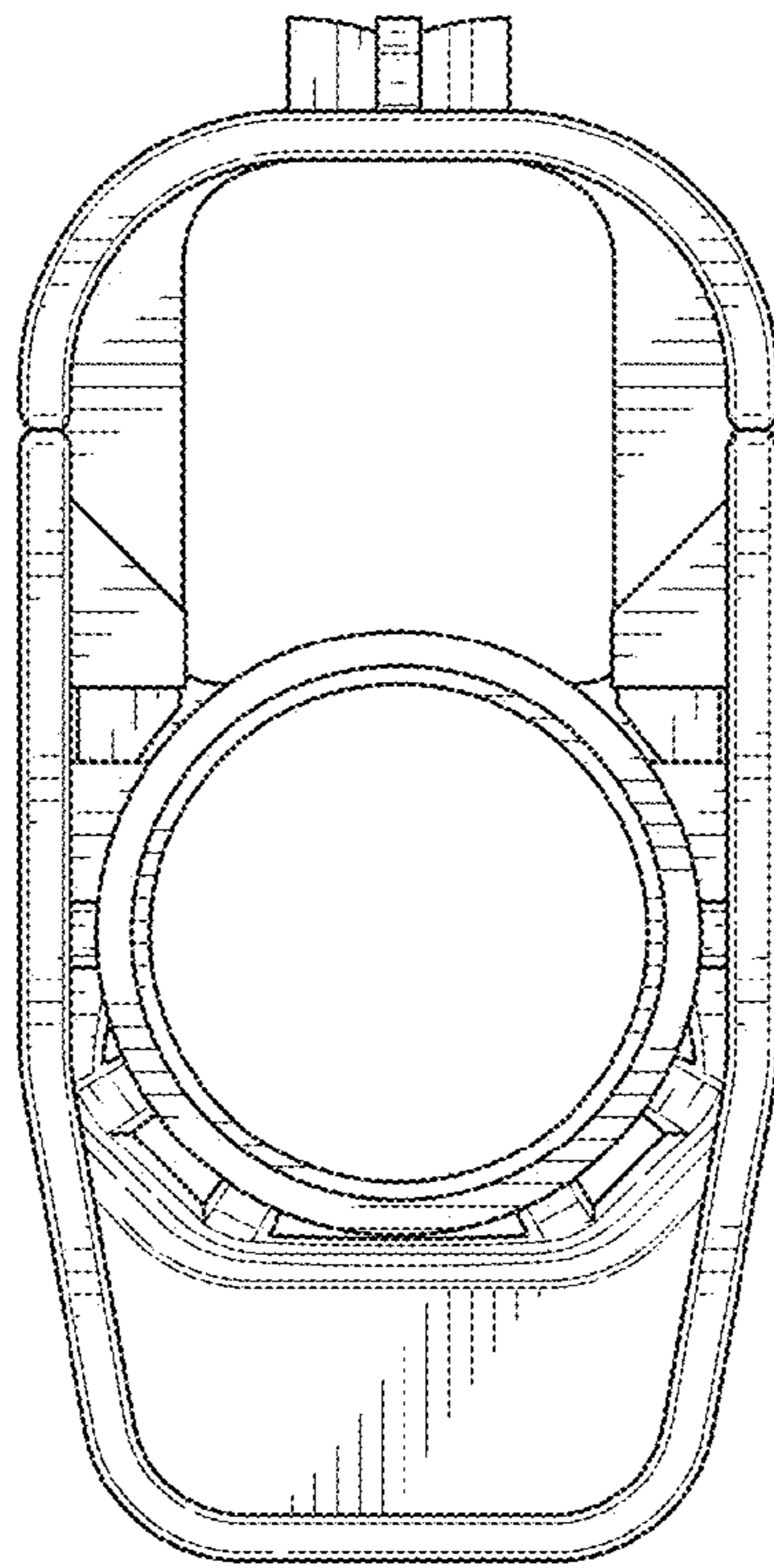


FIG. 11

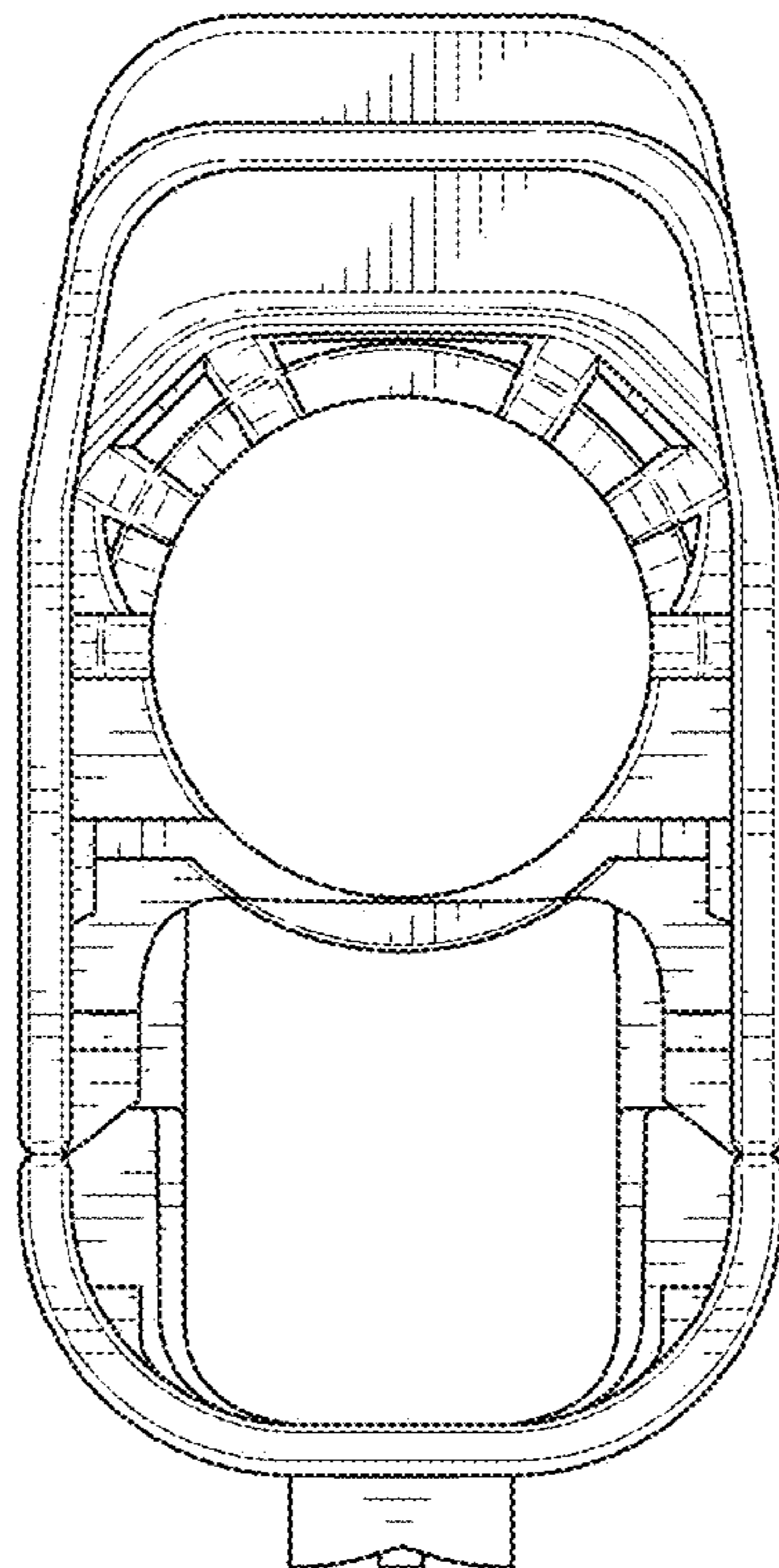


FIG. 12