



US00D884109S

(12) **United States Design Patent**
Müller

(10) **Patent No.:** **US D884,109 S**

(45) **Date of Patent:** **** May 12, 2020**

(54) **FIREARM MAGAZINE SPRING LOCK PLATE**

(71) Applicant: **Heckler & Koch GmbH**, Oberndorf (DE)

(72) Inventor: **Steffen Müller**, Herrenzimmern (DE)

(73) Assignee: **Heckler & Koch GmbH**, Oberndorf (DE)

(**) Term: **15 Years**

(21) Appl. No.: **29/648,819**

(22) Filed: **May 24, 2018**

(30) **Foreign Application Priority Data**

Nov. 24, 2017 (EM) 004521516-0004

(51) **LOC (12) Cl.** **22-01**

(52) **U.S. Cl.**
USPC **D22/108**

(58) **Field of Classification Search**
USPC D22/100, 101, 103, 104, 105, 107, 108,
D22/109, 110, 111, 199; D21/567, 569,
D21/570, 571, 573, 574, 575
CPC F41G 1/30; F41G 3/26; F42B 5/28; F41C
23/16; F41A 23/16; F41A 23/18; F41A
9/83; F41A 33/00

See application file for complete search history.

(56) **References Cited**

U.S. PATENT DOCUMENTS

3,465,463	A *	9/1969	Batezell	F41A 9/70 42/50
4,139,959	A *	2/1979	Howard	F41A 9/70 42/50
4,688,344	A *	8/1987	Kim	F41A 9/67 42/50
5,113,605	A *	5/1992	Kim	F41A 9/71 42/50
6,481,136	B1 *	11/2002	Fitzpartick	F41A 9/65 42/18

(Continued)

OTHER PUBLICATIONS

“Magpul Enhanced Self-Leveling Follower™—USGI 5.56x45, 3 Pack” [online]. magpul.com. [Retrieved on Sep. 5, 2019]. Retrieved from the Internet: <https://www.magpul.com/products/enhanced-self-leveling-follower-usgi-556x45>.*

(Continued)

Primary Examiner — Khawaja Anwar

Assistant Examiner — Mojtaba Tehrani

(74) *Attorney, Agent, or Firm* — Hanley, Flight and Zimmerman, LLC

(57) **CLAIM**

The ornamental design for a firearm magazine spring lock plate, as shown and described.

DESCRIPTION

FIG. 1 is a right side view of a firearm magazine spring lock plate coupled to a spring and a spring follower, showing my new design;

FIG. 2 is a top, rear, left perspective view thereof, showing a portion of the spring;

FIG. 3 is an isolated top, rear, right perspective view of the firearm magazine spring lock plate thereof;

FIG. 4 is an isolated right side view of the firearm magazine spring lock plate thereof;

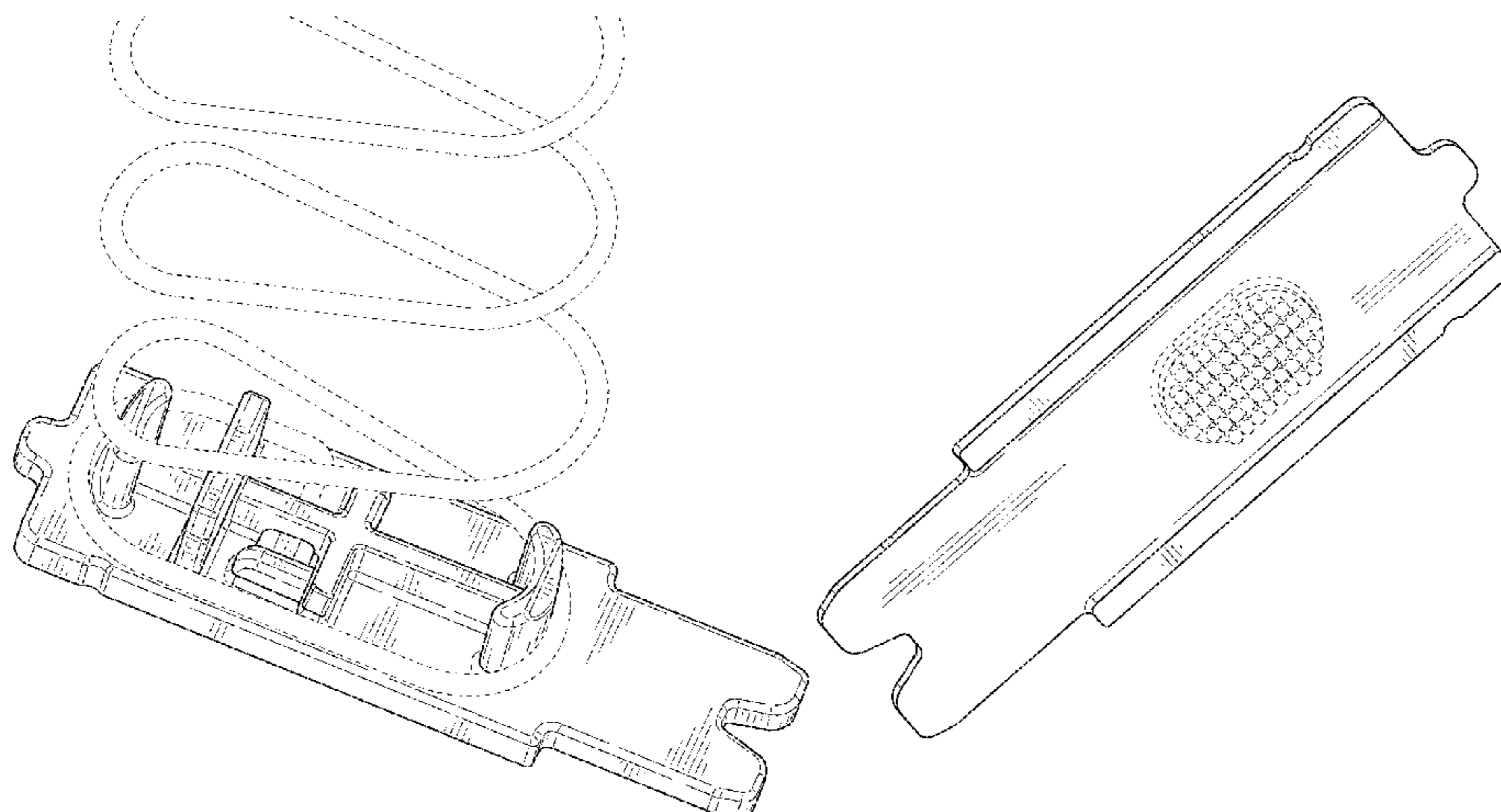
FIG. 5 is an isolated left side view the firearm magazine spring lock plate thereof;

FIG. 6 is an isolated bottom, rear, right perspective view of the firearm magazine spring lock plate thereof; and,

FIG. 7 is an isolated bottom view of the firearm magazine spring lock plate thereof.

The features shown in broken lines form no part of the claimed design.

1 Claim, 7 Drawing Sheets



(56)

References Cited

U.S. PATENT DOCUMENTS

7,497,044 B2 * 3/2009 Cammenga F41A 9/67
42/49.01
D615,143 S * 5/2010 Fitzpatrick D22/108
7,730,654 B2 * 6/2010 Kim F41A 9/62
42/1.02
D642,647 S * 8/2011 Fitzpatrick D22/108
D644,293 S * 8/2011 Fitzpatrick D22/108
D645,113 S * 9/2011 Fitzpatrick D22/108
8,069,601 B1 * 12/2011 Fitzpatrick F41A 9/62
42/50
8,225,541 B2 * 7/2012 Bigley F41A 9/70
42/49.01
8,234,810 B2 * 8/2012 Lee, III F41A 9/67
42/11
8,468,730 B2 * 6/2013 Faifer F41A 9/67
42/50
D690,788 S * 10/2013 Acarreta D22/108
8,590,202 B2 * 11/2013 Keng F41A 9/65
42/90
D718,406 S * 11/2014 Mayberry D22/108
D718,834 S * 12/2014 Mayberry D22/108
8,991,086 B2 * 3/2015 Fitzpatrick F41A 9/69
42/50
9,097,480 B2 * 8/2015 Keng F41A 9/65
9,222,739 B1 * 12/2015 Bennett B23P 15/22
9,255,749 B2 * 2/2016 Faifer F41A 9/65

D757,200 S * 5/2016 Schefter D22/108
9,383,151 B2 * 7/2016 Ballard F41A 9/65
D769,397 S * 10/2016 Lam D22/108
9,470,464 B2 * 10/2016 Kielsmeier F41A 9/70
9,523,546 B1 * 12/2016 Harding F41A 9/70
9,631,883 B2 * 4/2017 Grandy F41A 9/63
D788,874 S * 6/2017 Daniel D22/108
10,161,705 B2 * 12/2018 Keng F41A 23/04
10,393,457 B2 * 8/2019 Fitzpatrick F41A 9/67
2009/0107022 A1 * 4/2009 Fitzpatrick F41A 9/70
42/50
2010/0126053 A1 * 5/2010 Fitzpatrick F41A 9/69
42/50
2011/0005113 A1 * 1/2011 Fitzpatrick F41A 9/65
42/1.02
2013/0192115 A1 * 8/2013 Calilung F41A 9/71
42/49.01
2015/0241162 A1 * 8/2015 Geraghty F41A 35/02
42/6
2019/0162495 A1 * 5/2019 Muller F41A 9/66

OTHER PUBLICATIONS

“Magazine Follower, GI, Dark Green Plastic W/Military Number, New” [online]. gunpartscorp.com. [Retrieved on Sep. 5, 2019]. Retrieved from the Internet: <https://www.gunpartscorp.com/products/1107050B>.*

* cited by examiner

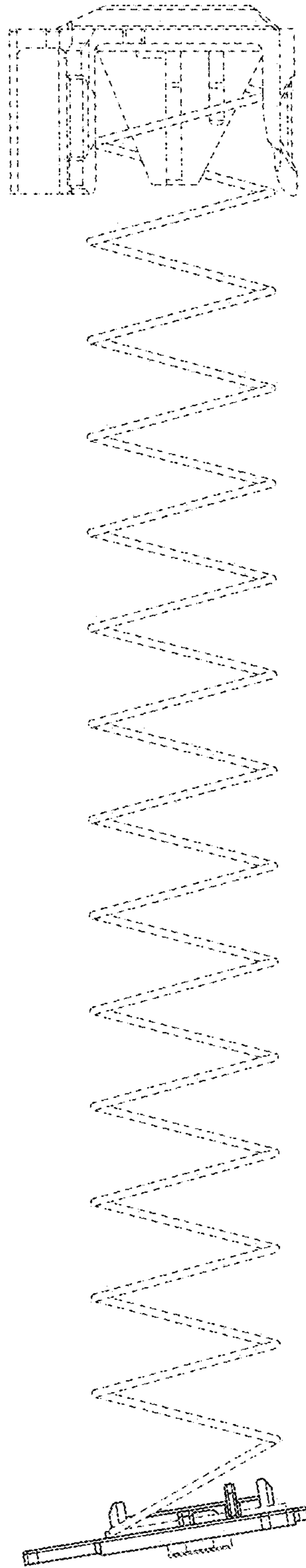


FIG. 1

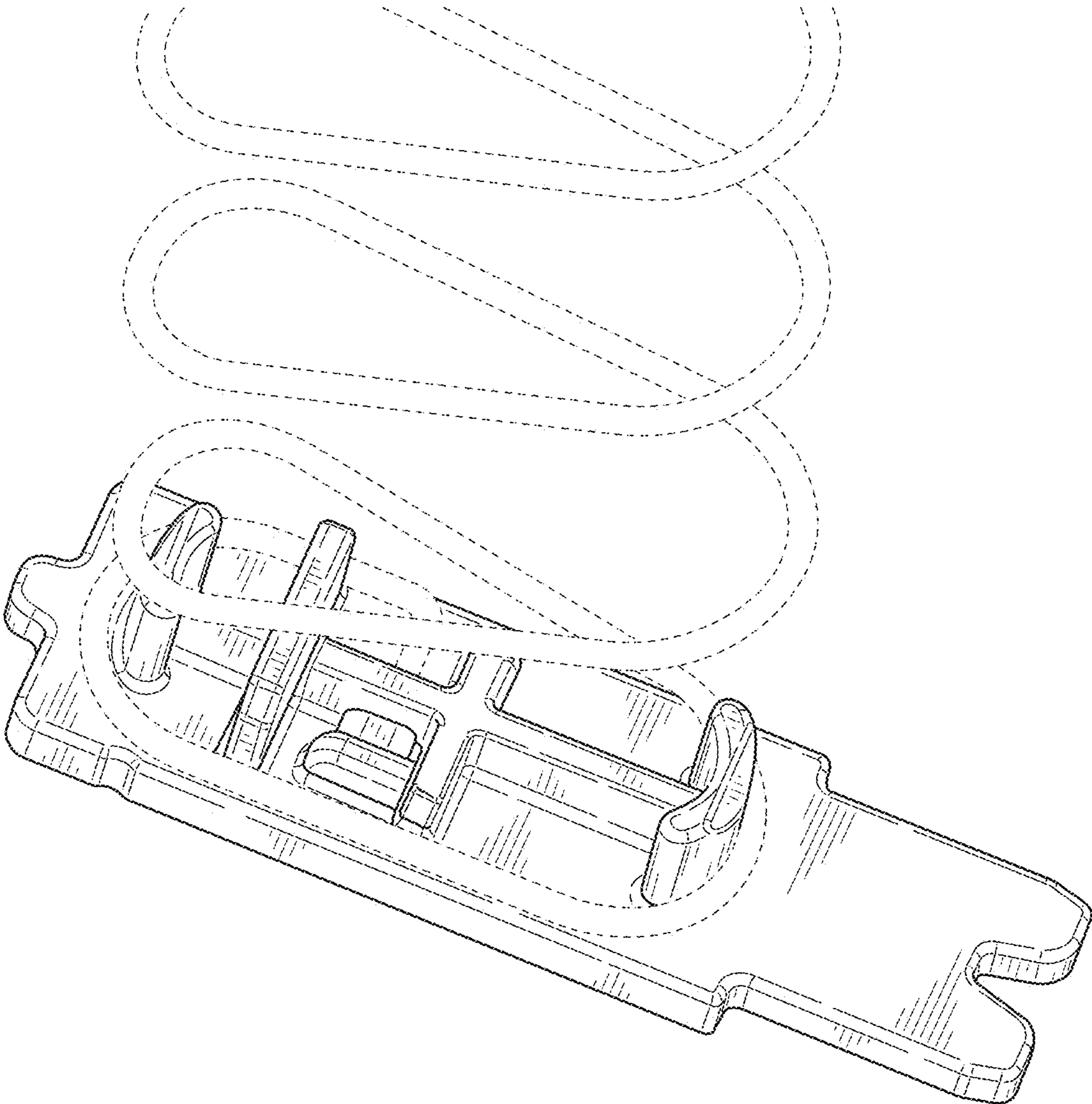


FIG. 2

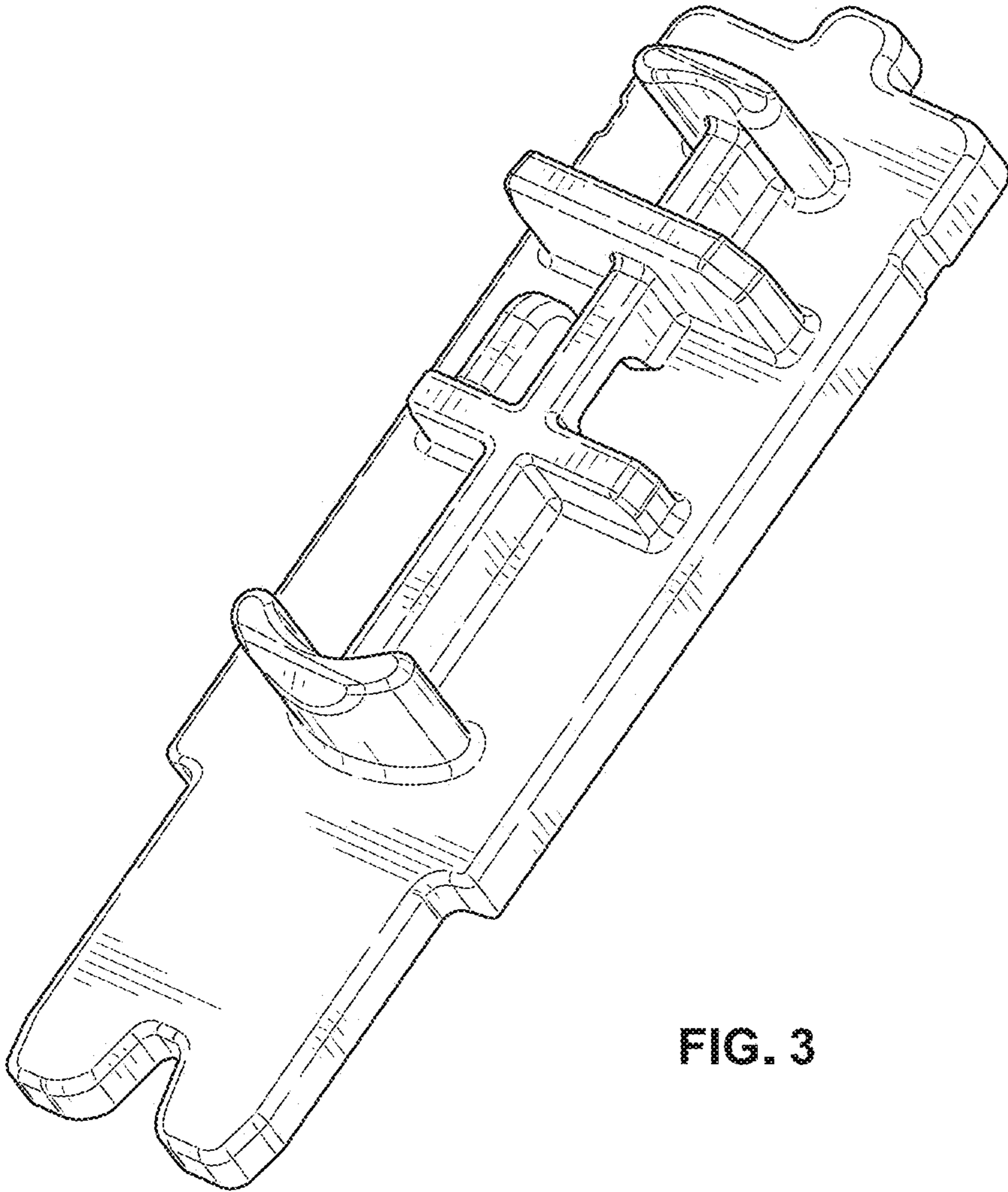


FIG. 3

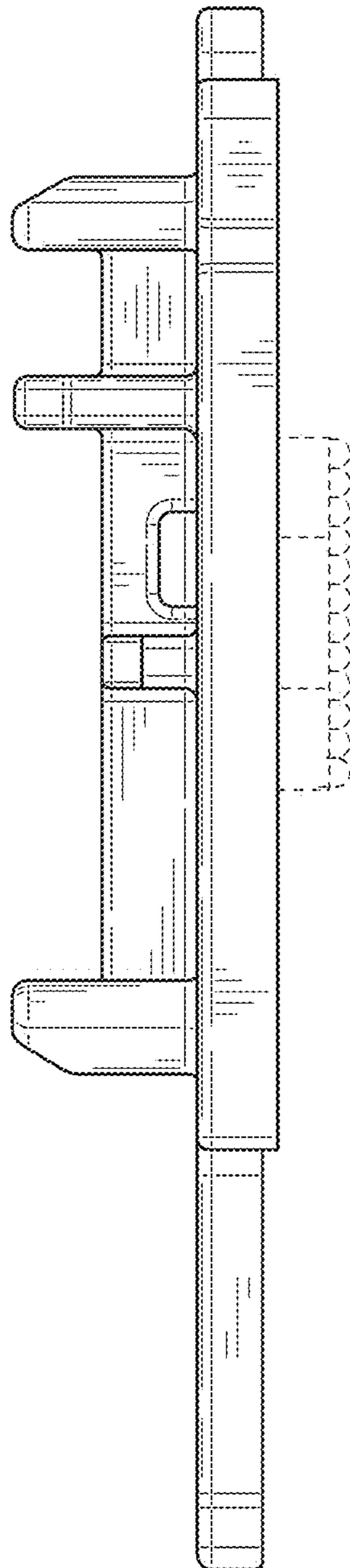


FIG. 4

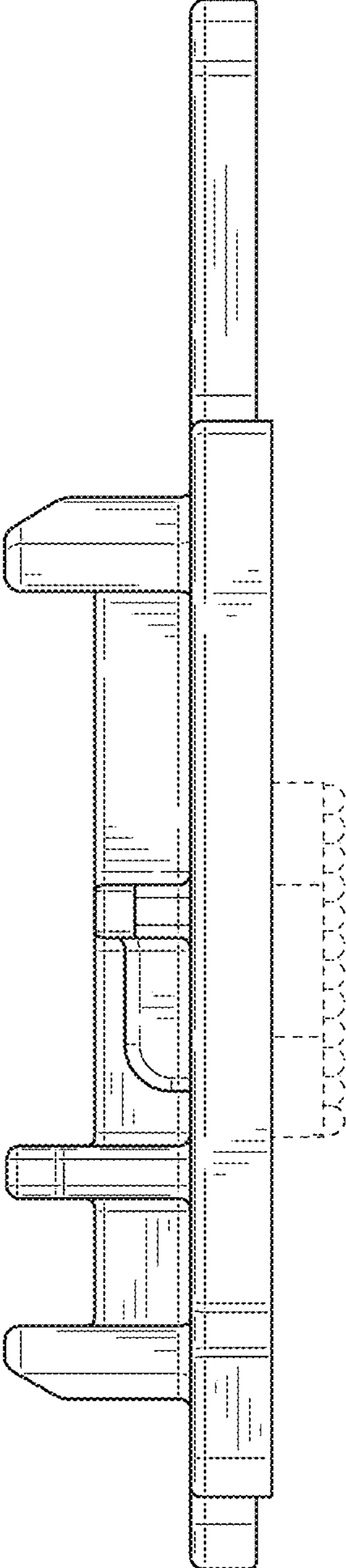
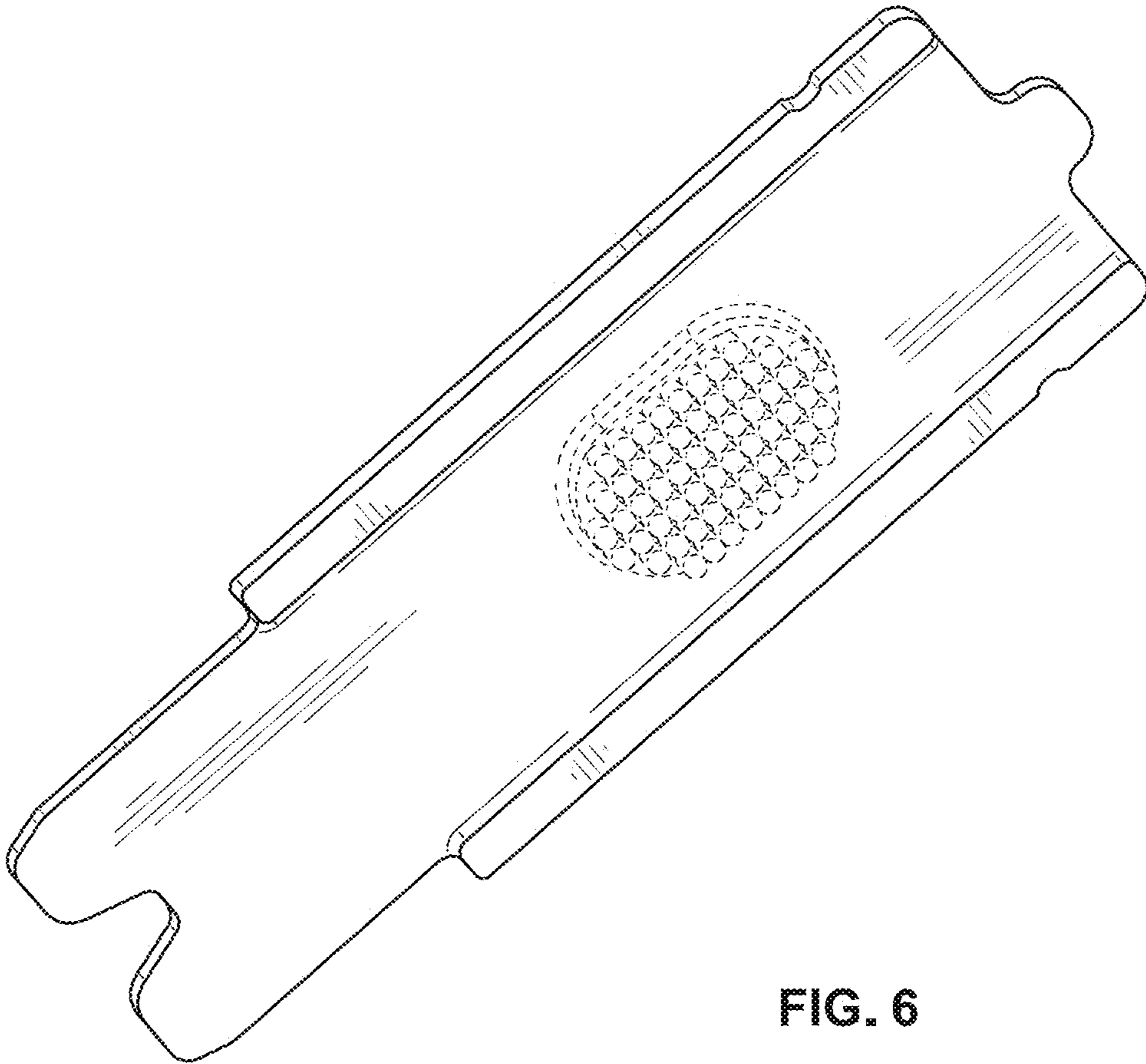


FIG. 5



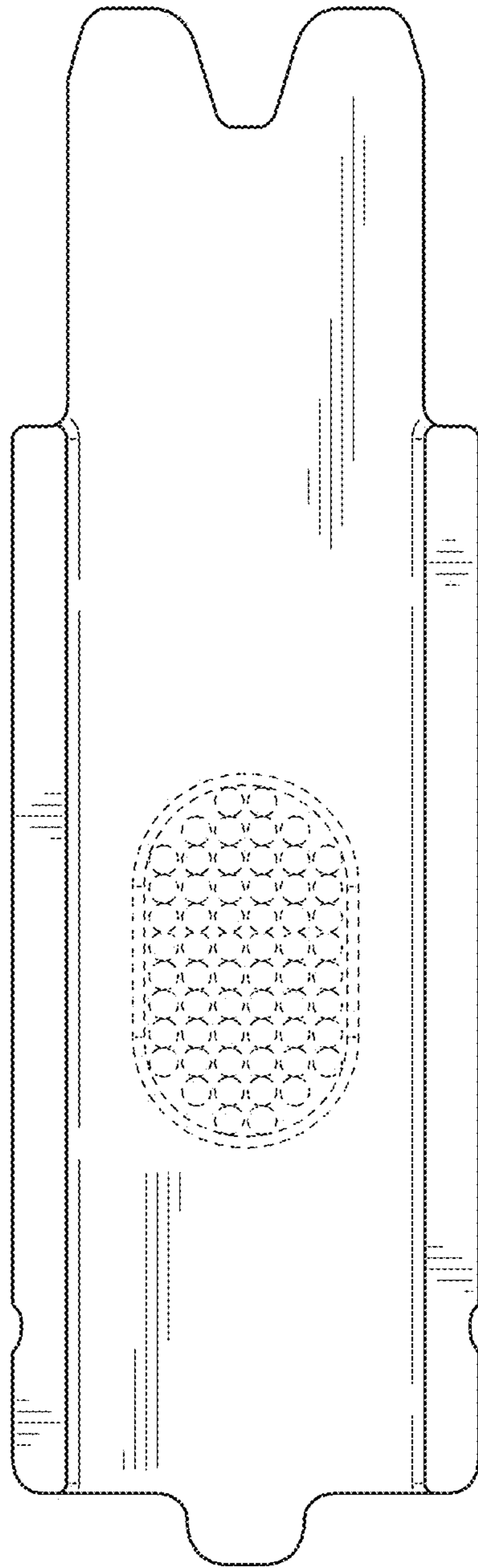


FIG. 7