



US00D884108S

(12) **United States Design Patent**
Müller

(10) **Patent No.:** **US D884,108 S**

(45) **Date of Patent:** **** May 12, 2020**

(54) **FIREARM MAGAZINE FOLLOWER**

(71) Applicant: **Heckler & Koch GmbH**, Oberndorf
(DE)

(72) Inventor: **Steffen Müller**, Herrenzimmern (DE)

(73) Assignee: **Heckler & Koch GmbH**, Oberndorf
(DE)

(**) Term: **15 Years**

(21) Appl. No.: **29/648,818**

(22) Filed: **May 24, 2018**

(30) **Foreign Application Priority Data**

Nov. 24, 2017 (EM) 004521516-0003

(51) **LOC (12) Cl.** **22-01**

(52) **U.S. Cl.**
USPC **D22/108**

(58) **Field of Classification Search**
USPC D22/100, 101, 103, 104, 105, 107, 108,
D22/109, 110, 111, 199; D21/567, 569,
D21/570, 571, 573, 574, 575
CPC F41G 1/30; F41G 3/26; F42B 5/28; F41C
23/16; F41A 23/16; F41A 23/18; F41A
9/83; F41A 33/00

See application file for complete search history.

(56) **References Cited**

U.S. PATENT DOCUMENTS

3,465,463 A * 9/1969 Batezell F41A 9/70
42/50
4,139,959 A * 2/1979 Howard F41A 9/70
42/50
4,688,344 A * 8/1987 Kim F41A 9/67
42/50

5,113,605 A * 5/1992 Kim F41A 9/71
42/50
6,481,136 B1 * 11/2002 Fitzpartick F41A 9/65
42/18
7,497,044 B2 * 3/2009 Cammenga F41A 9/67
42/49.01

(Continued)

OTHER PUBLICATIONS

“Magpul Enhanced Self-Leveling Follower™—USGI 5.56×45, 3 Pack” [online]. magpul.com. [Retrieved on Sep. 5, 2019]. Retrieved from the Internet: <https://www.magpul.com/products/enhanced-self-leveling-follower-usgi-556x45>.*

(Continued)

Primary Examiner — Khawaja Anwar
Assistant Examiner — Mojtaba Tehrani

(74) *Attorney, Agent, or Firm* — Hanley, Flight and
Zimmerman, LLC

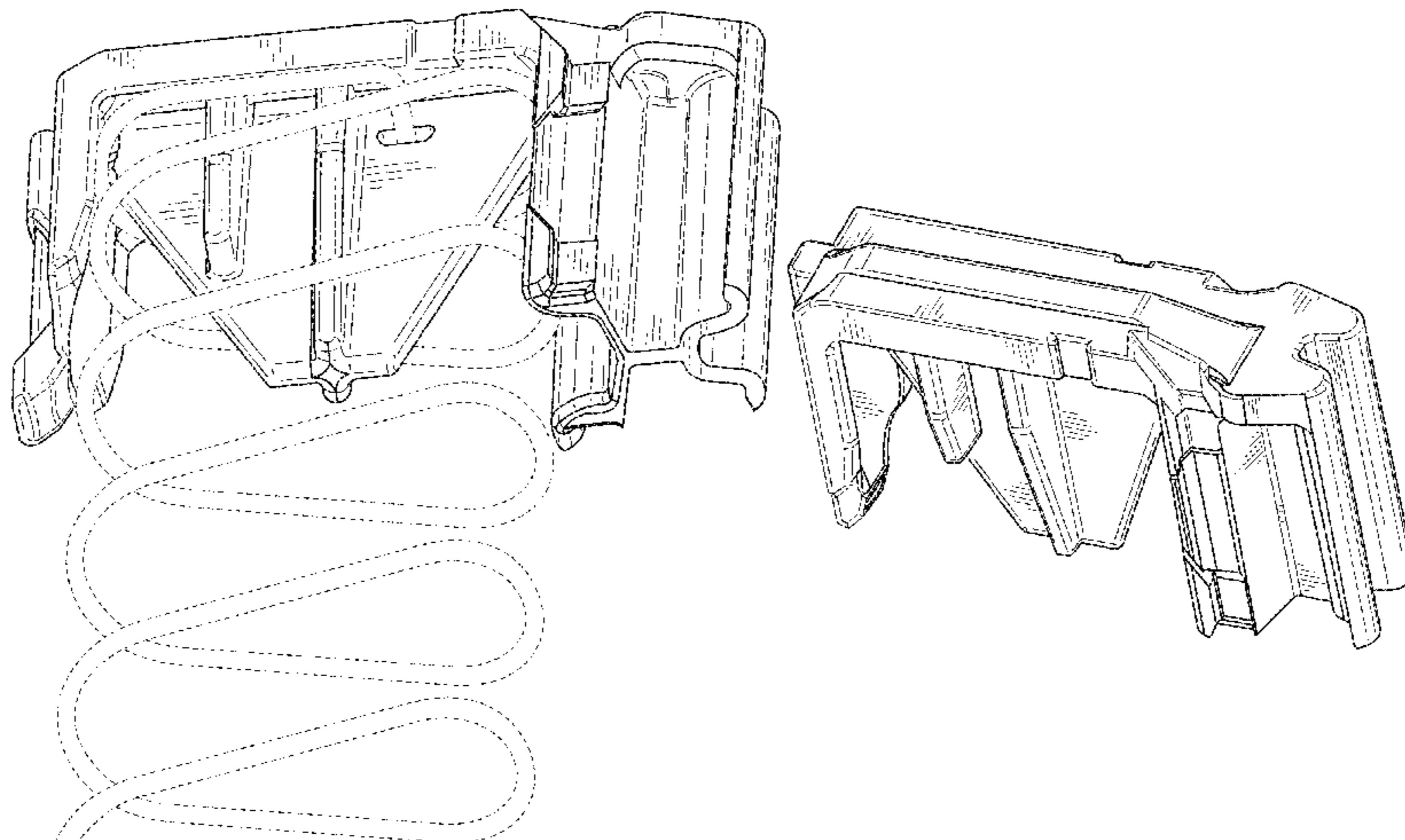
(57) **CLAIM**

The ornamental design for a firearm magazine follower, as shown and described.

DESCRIPTION

FIG. 1 is a left side view of a firearm magazine follower, with a spring and a spring lock plate extending therefrom, showing my new design;
FIG. 2 is a bottom, rear, left perspective view thereof, showing a portion of the spring;
FIG. 3 is an isolated left side view of the firearm magazine follower thereof;
FIG. 4 is an isolated bottom, rear, right perspective view of the firearm magazine follower thereof;
FIG. 5 is an isolated top, rear, left perspective view of the firearm magazine follower thereof;
FIG. 6 is an isolated right side view of the firearm magazine follower thereof; and,
FIG. 7 is an isolated top view of the firearm magazine follower thereof.

(Continued)



The features shown in broken lines form no part of the claimed design.

1 Claim, 7 Drawing Sheets

(56)

References Cited

U.S. PATENT DOCUMENTS

D615,143	S *	5/2010	Fitzpatrick	D22/108
7,730,654	B2 *	6/2010	Kim	F41A 9/62
					42/1.02
D642,647	S *	8/2011	Fitzpatrick	D22/108
D644,293	S *	8/2011	Fitzpatrick	D22/108
D645,113	S *	9/2011	Fitzpatrick	D22/108
8,069,601	B1 *	12/2011	Fitzpatrick	F41A 9/62
					42/50
8,225,541	B2 *	7/2012	Bigley	F41A 9/70
					42/49.01
8,234,810	B2 *	8/2012	Lee, III	F41A 9/67
					42/11
8,468,730	B2 *	6/2013	Faifer	F41A 9/67
					42/50
D690,788	S *	10/2013	Acarreta	D22/108
8,590,202	B2 *	11/2013	Keng	F41A 9/65
					42/90
D718,406	S *	11/2014	Mayberry	D22/108
D718,834	S *	12/2014	Mayberry	D22/108
8,991,086	B2 *	3/2015	Fitzpatrick	F41A 9/69
					42/50

9,097,480	B2 *	8/2015	Keng	F41A 9/65
9,222,739	B1 *	12/2015	Bennett	B23P 15/22
9,255,749	B2 *	2/2016	Faifer	F41A 9/65
D757,200	S *	5/2016	Scheffer	D22/108
9,383,151	B2 *	7/2016	Ballard	F41A 9/65
D769,397	S *	10/2016	Lam	D22/108
9,470,464	B2 *	10/2016	Kielsmeier	F41A 9/70
9,523,546	B1 *	12/2016	Harding	F41A 9/70
9,631,883	B2 *	4/2017	Grandy	F41A 9/63
D788,874	S *	6/2017	Daniel	D22/108
10,161,705	B2 *	12/2018	Keng	F41A 23/04
10,393,457	B2 *	8/2019	Fitzpatrick	F41A 9/67
2009/0107022	A1 *	4/2009	Fitzpatrick	F41A 9/70
					42/50
2010/0126053	A1 *	5/2010	Fitzpatrick	F41A 9/69
					42/50
2011/0005113	A1 *	1/2011	Fitzpatrick	F41A 9/65
					42/1.02
2013/0192115	A1 *	8/2013	Calilung	F41A 9/71
					42/49.01
2015/0241162	A1 *	8/2015	Geraghty	F41A 35/02
					42/6
2019/0162495	A1 *	5/2019	Muller	F41A 9/66

OTHER PUBLICATIONS

“Magazine Follower, GI, Dark Green Plastic W/Military Number, New” [online]. gunpartscorp.com. [Retrieved on Sep. 5, 2019]. Retrieved from the Internet: <https://www.gunpartscorp.com/products/1107050B>.*

* cited by examiner

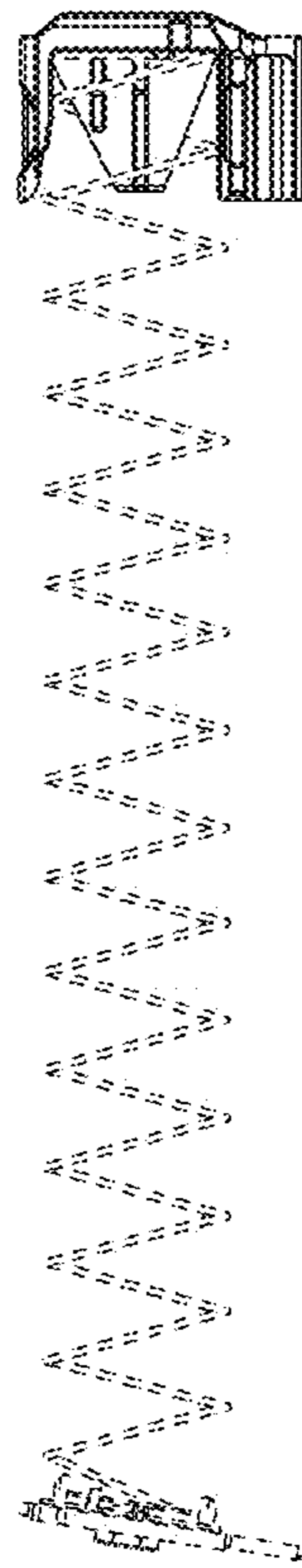


FIG. 1

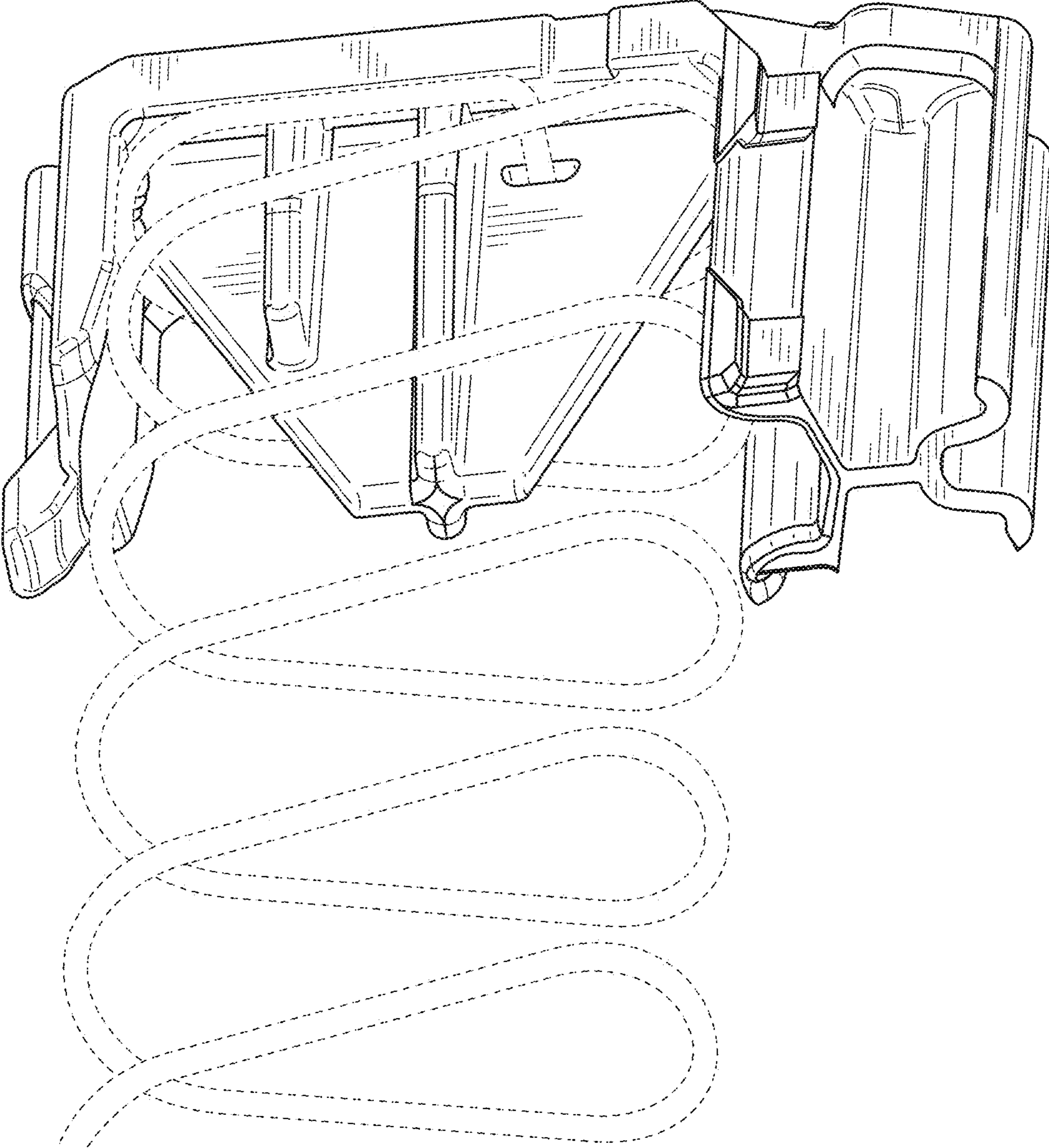


FIG. 2

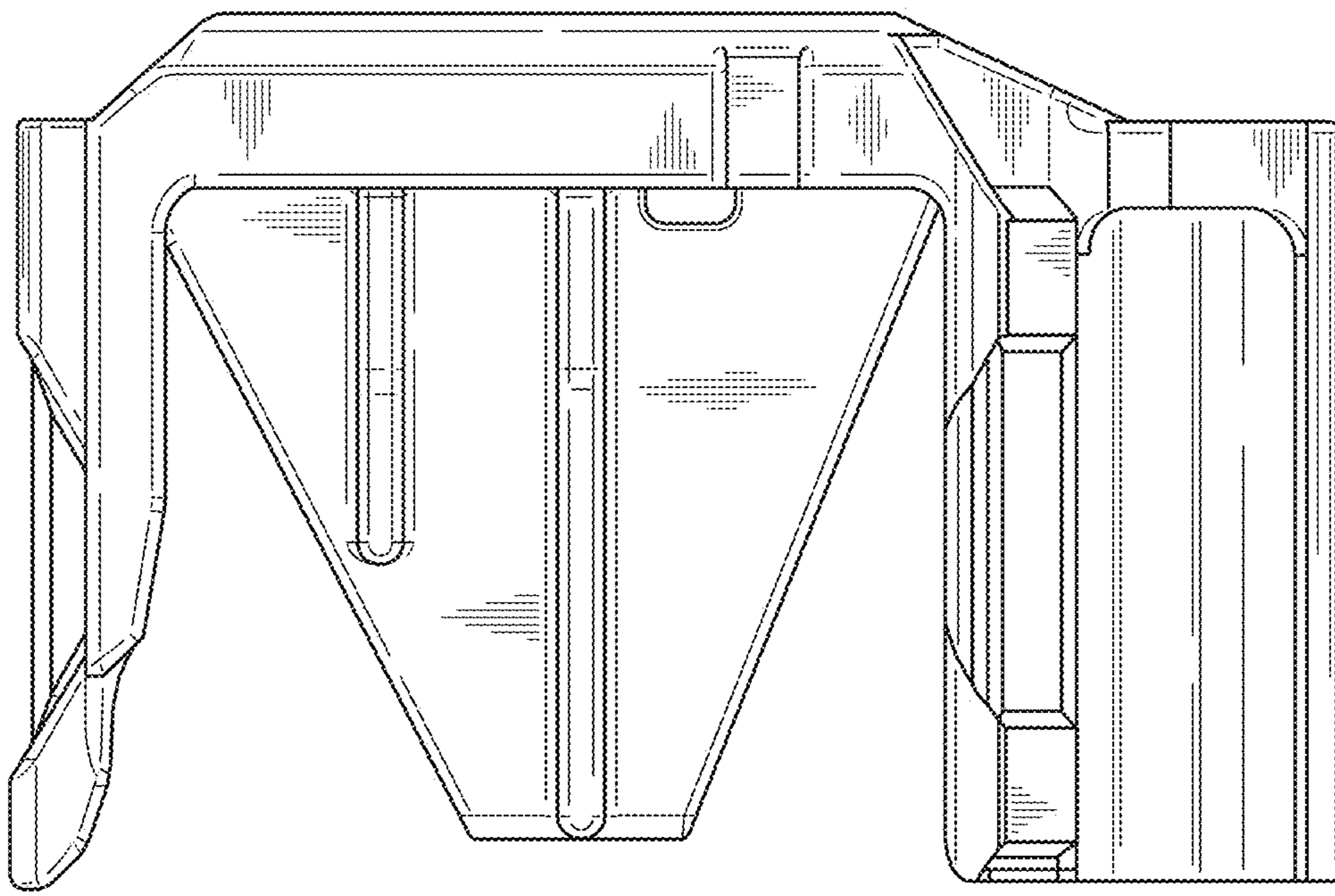


FIG. 3

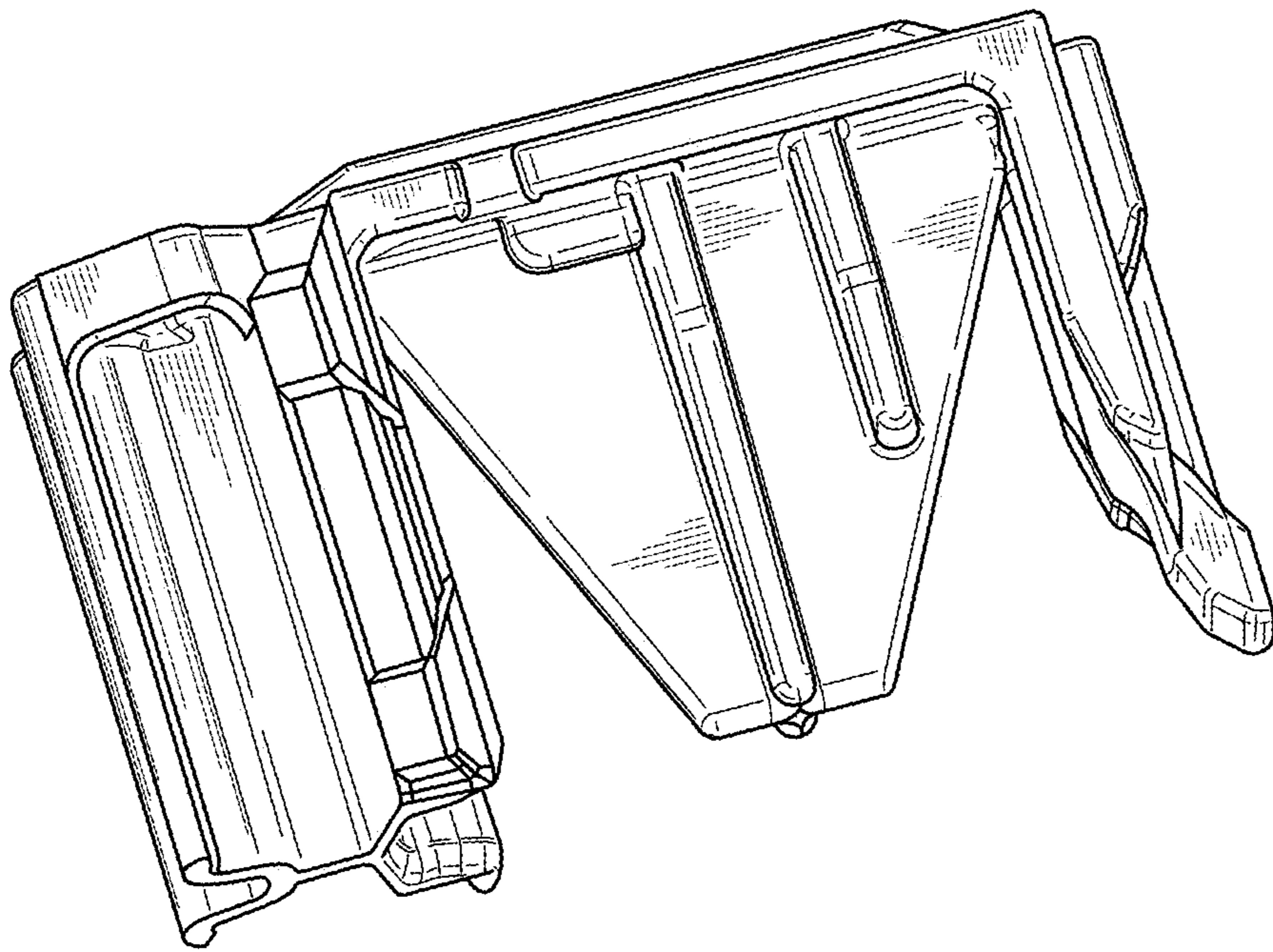


FIG. 4

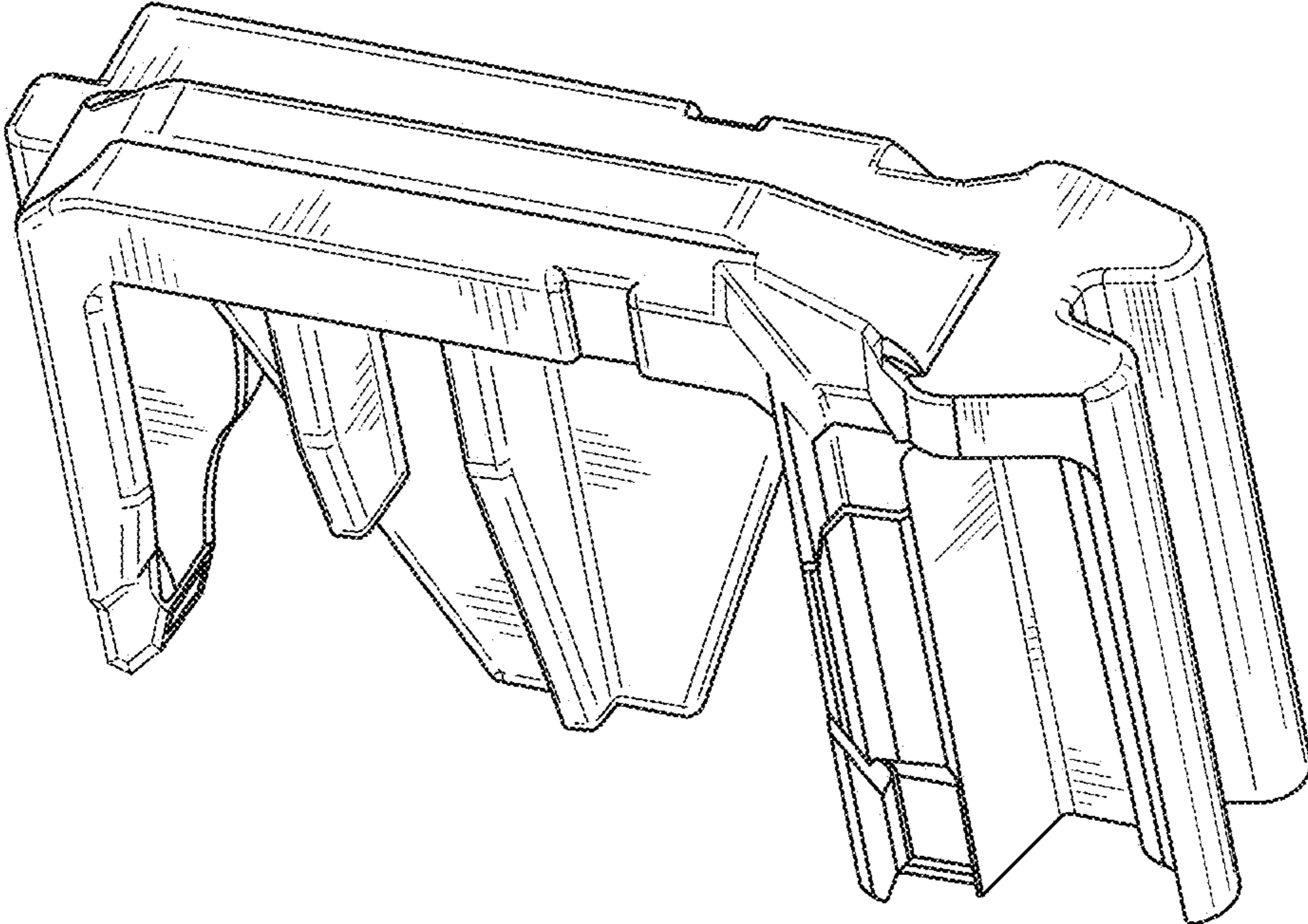


FIG. 5

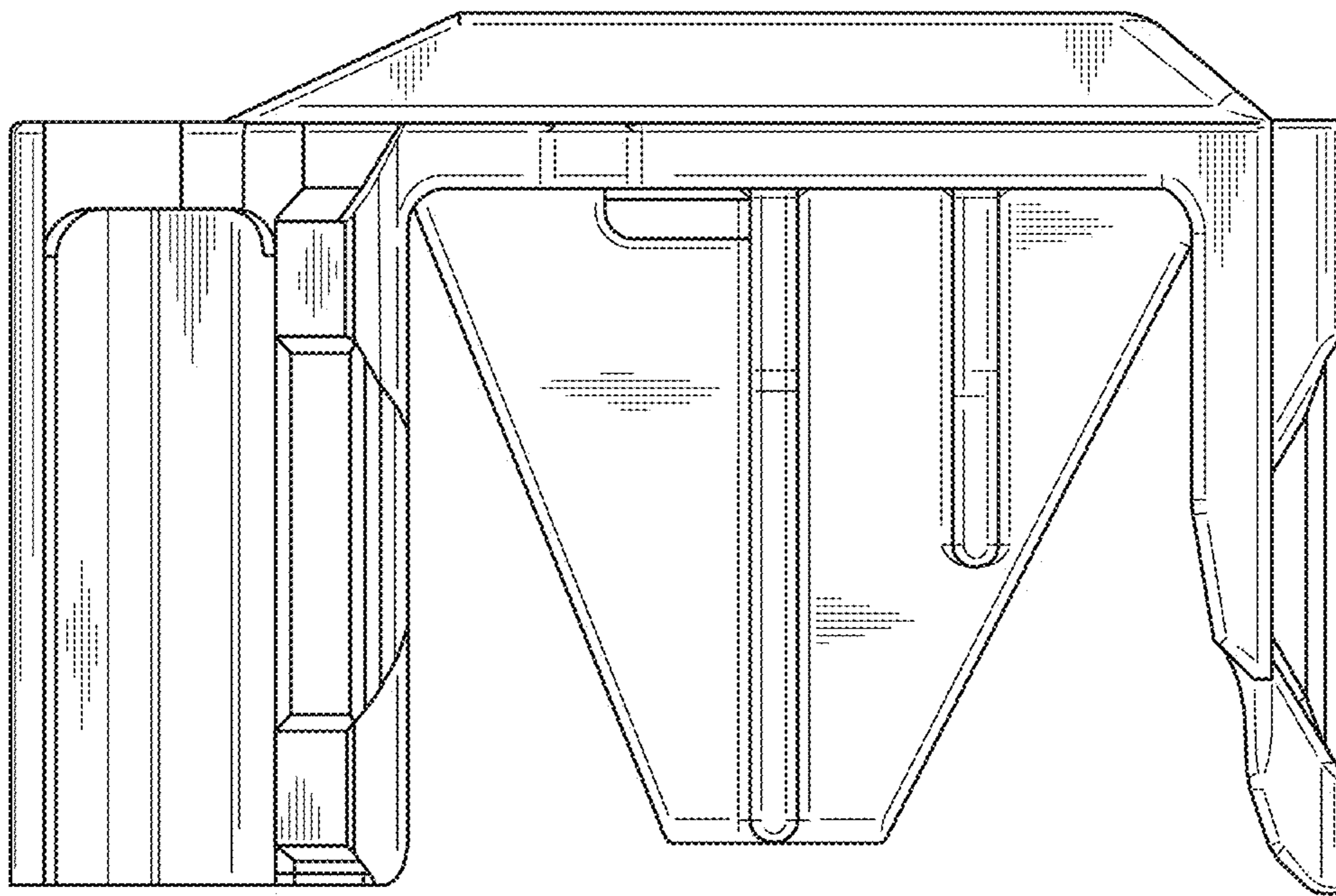


FIG. 6

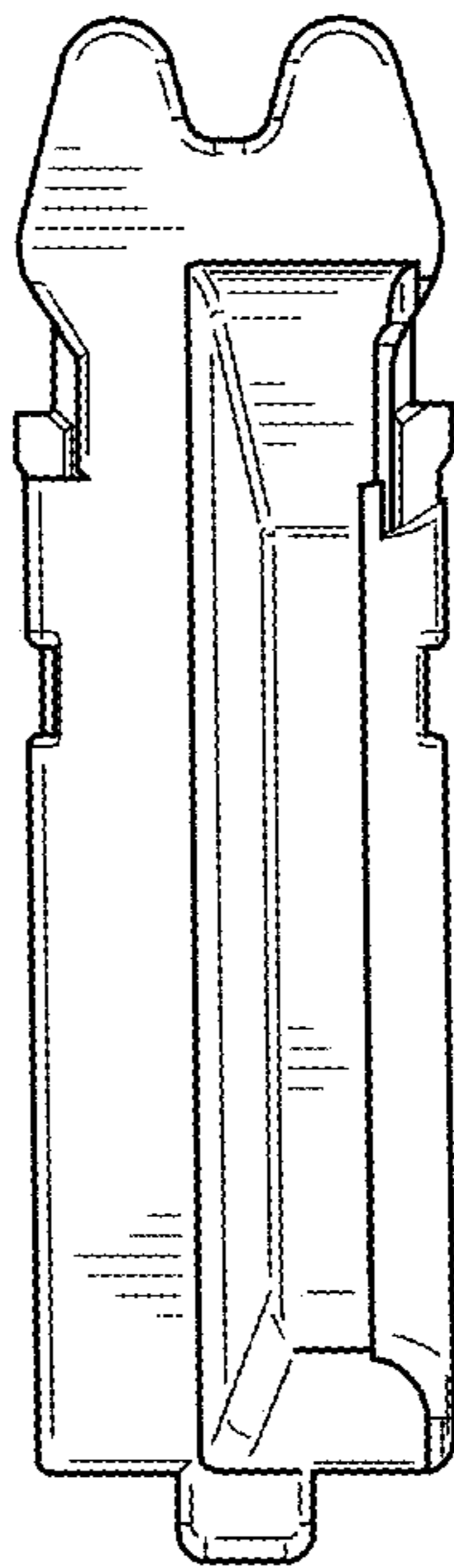


FIG. 7