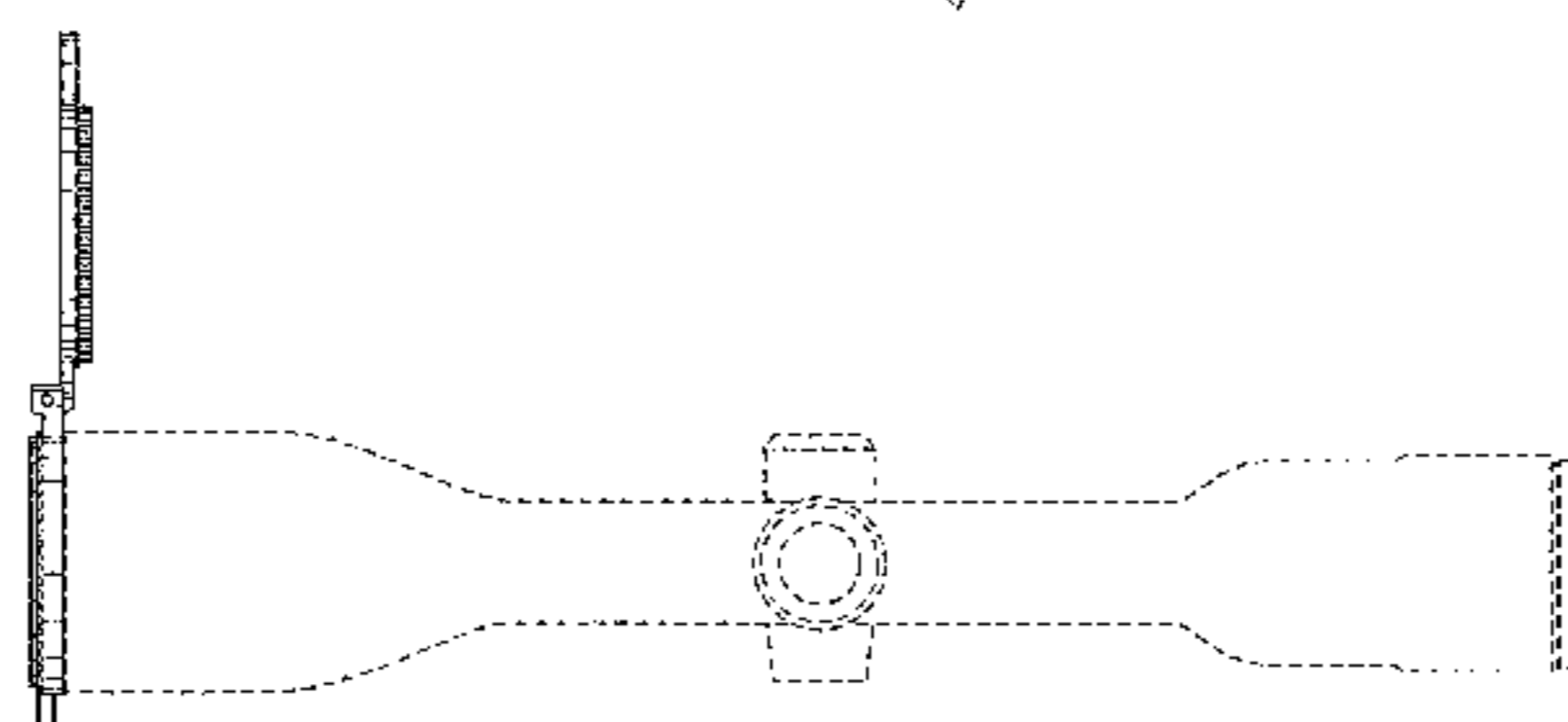
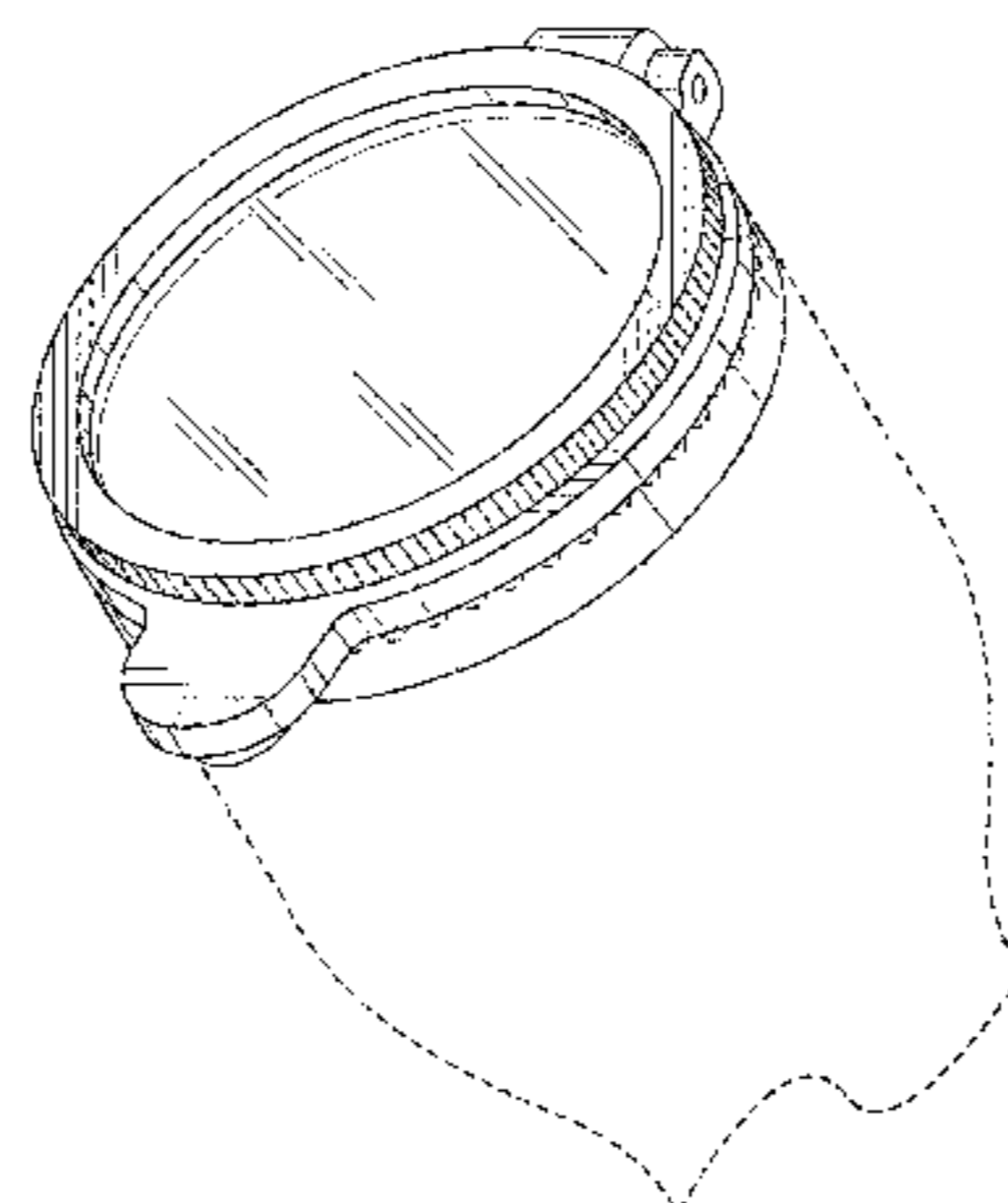




US00D884107S

(12) **United States Design Patent** (10) **Patent No.:** **US D884,107 S**
Meinert et al. (45) **Date of Patent:** **** May 12, 2020**

- (54) **RIFLESCOPE REFERENCE CARD HOLDER** 5,442,860 A 8/1995 Palmer
5,557,871 A 9/1996 LaLonde
(71) Applicant: **Vista Outdoor Operations LLC,** 5,561,563 A * 10/1996 Chesnut F41G 1/383
Farmington, UT (US) 359/822
5,715,607 A 2/1998 Murg
(72) Inventors: **Robert J. Meinert,** Andover, MN (US); 5,727,752 A 3/1998 Matsuzoe
Brent R. Cook, Blaine, MN (US) 5,788,215 A 8/1998 Ryan
5,815,316 A * 9/1998 Friedman G02B 23/12
359/511
(73) Assignee: **Vista Outdoor Operations LLC,** D404,646 S * 1/1999 Black, Sr. D9/440
Anoka, MN (US) 5,878,504 A 3/1999 Harms
D417,679 S 12/1999 Cross et al.
(**) Term: **15 Years** 6,279,259 B1 8/2001 Otteman
6,289,625 B1 9/2001 Phares
6,390,601 B1 5/2002 Morita et al.
(21) Appl. No.: **29/641,217** D476,714 S 7/2003 Meinzer
6,643,970 B2 11/2003 Huber
(22) Filed: **Mar. 20, 2018** 6,772,550 B1 8/2004 Leatherwood
6,811,268 B2 11/2004 Watson
D533,781 S * 12/2006 Freisem D9/453
7,185,455 B2 3/2007 Zaderey
D543,111 S * 5/2007 Høglund D9/420
D553,991 S * 10/2007 Wachsberg D9/528
D576,875 S * 9/2008 Steiger D9/438
D576,877 S * 9/2008 Alcamo D9/438
7,581,346 B2 9/2009 Klepp et al.
7,584,570 B2 9/2009 Smith
7,624,526 B2 12/2009 Paasikivi et al.
D613,599 S * 4/2010 Khubani D9/446
D616,956 S * 6/2010 Hamilton D22/108
D619,193 S 7/2010 Riley
7,827,723 B1 11/2010 Zaderey et al.
7,827,725 B1 11/2010 Hagler
7,832,137 B2 11/2010 Sammut et al.
7,905,046 B2 3/2011 Smith, III
7,913,440 B2 3/2011 Murg et al.
7,946,073 B1 5/2011 Buck
D640,556 S * 6/2011 Bragg D9/449
D645,339 S * 9/2011 Oakes D9/420
8,091,268 B2 1/2012 York
8,166,696 B2 5/2012 Hamilton
8,166,697 B1 5/2012 Sueskind
8,230,635 B2 7/2012 Sammut et al.
8,286,383 B2 10/2012 Matthews
8,286,384 B2 10/2012 Zaderey et al.
8,353,454 B2 1/2013 Sammut et al.
8,397,420 B2 3/2013 Hamilton
D681,152 S 4/2013 Burzel et al.
D687,916 S 8/2013 Burzel et al.
D707,324 S 6/2014 Radau et al.
D708,940 S * 7/2014 Juna D9/420
D717,390 S * 11/2014 Rogers D22/108
D721,780 S 1/2015 Cheng et al.
- Related U.S. Application Data**
- (63) Continuation of application No. 29/539,835, filed on Sep. 17, 2015, now Pat. No. Des. 813,338.
- (51) **LOC (12) Cl.** **22-01**
- (52) **U.S. Cl.**
USPC **D22/108**
- (58) **Field of Classification Search**
USPC D22/103, 107-111, 199; D21/571-575;
D16/134, 136; D9/420, 435, 443-446,
D9/454
CPC ... F41G 1/38; F41G 1/383; F41G 1/40; F41G
1/54; F41G 1/545; F41G 1/01; F41G
3/26; F41G 11/00; G02B 23/16
See application file for complete search history.
- (56) **References Cited**
- U.S. PATENT DOCUMENTS
- D174,205 S * 3/1955 Ward D9/446
2,889,629 A * 6/1959 Darkenwald F41G 1/383
42/129
3,280,463 A 10/1966 Stadler
3,990,155 A 11/1976 Akin, Jr. et al.
4,392,723 A 7/1983 Gehmann
4,806,007 A 2/1989 Bindon
D344,209 S * 2/1994 Cousins D7/391
D353,328 S * 12/1994 Nuffer D9/445
5,406,733 A 4/1995 Tarlton et al.



D723,652	S	3/2015	Radau et al.	
8,984,796	B2	3/2015	Thomas et al.	
D728,060	S	4/2015	Vogl	
D728,061	S	4/2015	Vogl	
D732,633	S	6/2015	Cheng et al.	
D749,420	S *	2/2016	Kahlau	D9/420
D752,701	S *	3/2016	Bengtsson	D22/109
D756,480	S	5/2016	Kay	
D767,986	S *	10/2016	Epstein	D3/289
D774,900	S *	12/2016	Longoni	B65D 51/1611 D9/420
D776,533	S *	1/2017	Kikel	D9/446
D778,332	S	2/2017	Suzuki et al.	
D778,333	S	2/2017	Takatori	
D783,116	S *	4/2017	Cheng	D22/109
D789,480	S	6/2017	Olsen	
9,677,848	B2	6/2017	Hamilton	
D792,939	S	7/2017	Pröll et al.	
9,750,320	B2	9/2017	Warm	
9,791,244	B2	10/2017	Maryfield et al.	
D809,582	S *	2/2018	Proll	D16/133
9,945,639	B1 *	4/2018	Geraci	F41G 1/383
D860,779	S *	9/2019	Sutton	D9/420
D867,133	S *	11/2019	Johnson	D9/446
D867,138	S *	11/2019	Levy	D9/449
2001/0037953	A1	11/2001	Gelardi	
2002/0078616	A1	6/2002	Perry et al.	
2002/0159148	A1	10/2002	Huber	
2003/0145527	A1	8/2003	Meyers	
2004/0031228	A1	2/2004	Hardy, Jr. et al.	
2004/0144013	A1	7/2004	Leatherwood	
2005/0229468	A1	10/2005	Zaderey et al.	
2005/0257414	A1	11/2005	Zaderey et al.	
2005/0271767	A1	12/2005	Kruidering	
2007/0240356	A1	10/2007	Klepp et al.	
2008/0066364	A1	3/2008	Klepp et al.	
2008/0268422	A1	10/2008	Olivier et al.	
2008/0289239	A1	11/2008	Menges et al.	
2009/0049733	A1	2/2009	Matthews	
2009/0064561	A1	3/2009	Piltonen	
2010/0058816	A1	3/2010	Choi et al.	
2010/0065452	A1 *	3/2010	Ottl	G02B 23/16 206/316.1
2010/0101994	A1	4/2010	Poltorak	
2010/0218634	A1	9/2010	Matusmoto et al.	
2010/0229451	A1	9/2010	Hamilton	
2010/0307047	A1	12/2010	Long	
2011/0249335	A1 *	10/2011	Strawderman	G02B 23/16 359/511
2011/0314720	A1	12/2011	Cheng	
2012/0063723	A1	3/2012	Jenkins et al.	
2012/0113507	A1	5/2012	Arai	
2012/0137567	A1	6/2012	Sammur	
2012/0154907	A1	6/2012	Schmitt et al.	
2012/0221115	A1	8/2012	Komistek	
2013/0014421	A1	1/2013	Sammur et al.	
2013/0170027	A1	7/2013	Peters et al.	
2013/0276345	A1	10/2013	Hamilton	
2013/0286472	A1	10/2013	Arai et al.	
2014/0000146	A1	1/2014	Davidson	
2014/0246485	A1	9/2014	Warm	
2014/0319216	A1 *	10/2014	Meinert	F41G 1/387 235/406
2015/0089855	A1 *	4/2015	Pittman	F41A 9/72 42/49.01
2015/0203904	A1	7/2015	Hopper	
2015/0285589	A1	10/2015	Hamilton	
2016/0017878	A1	1/2016	Kim et al.	
2016/0025453	A1	1/2016	Ratliff et al.	
2016/0370146	A1	12/2016	Hamilton	
2017/0102204	A1	4/2017	Mezynski et al.	
2017/0145667	A1	5/2017	Gal et al.	
2017/0160055	A1	6/2017	Meinert et al.	
2017/0191797	A1	7/2017	Lassak et al.	
2017/0261288	A1	9/2017	Bartoszewicz	

FOREIGN PATENT DOCUMENTS

DE	30 04 635	A1	8/1981	
GB	2547935	A *	9/2017 F41G 1/38
WO	WO 97/37193	A1	10/1997	
WO	WO 99/30101	A1	6/1999	
WO	WO 2006/003265	A1	1/2006	
WO	WO 2006/017868	A1	2/2006	
WO	WO 2006/017869	A1	2/2006	
WO	WO-2006053080	A2 *	5/2006 A41G 1/383
WO	WO 2008/091388		7/2008	
WO	WO 2013/106280	A1	7/2013	

OTHER PUBLICATIONS

Vortex Optics Defender Flip Cap Lens Covers, posted at Brownells, posting date Jan. 5, 2016. Site visited Sep. 25, 2019. URL: <<https://www.brownells.com/optics-mounting/optic-accessories/protective-scope-covers/defender-flip-cap-lens-covers-prod83787.aspx>> (Year: 2016).*

Butler Creek, Butler Creek Scope Cover Measurement Guide, posted at YouTube, posting date Nov. 16, 2017. Site visited Sep. 25, 2019. URL: <<https://www.youtube.com/watch?v=X929iVhGuTI>> (Year: 2017).*

Print and Laminate a Ballistics Data Card Internet Article <http://bulletin accurateshooter.com/2009/05/print-and-laminate-a-ballistics-data-card/> (2009).

“Leupold & Stevens VXR 4-12x50mm Ballistic Firedot Illuminated Rifle Scope—Matte”, retrieved from internet on Feb. 21, 2014 (2 pgs.).

“E. Arthur Brow Company On-Line Shopping Cart,” <http://www.eabco.com/Reports/report0.html>, retrieved from the internet on Feb. 21, 2014 (5 pgs.).

“Redfield/Revolution™ & Revolution/TAC™ Product Brochure,” retrieved from the internet on Feb. 22, 2014 (14 pgs.).

“2009 BARSKA Sports Optics Catalog/Riflescopes,” retrieved from the internet on Feb. 21, 2014 (29 pgs.).

Razor Universal BDC Scope Attachment, posted at Marmot Militia, posting date Oct. 26, 2014, [online], [site visited Jun. 14, 2017], Available from Internet, <URL:<https://web.archive.org/web/20141026192404/http://marmotmilitia.com/razor-universal-bdc-scope-attachment.html>>.

New Screw-On Knurled Dials for Leupold Scope Turrets, posted at Accurate Shooter, posting date Aug. 23, 2015. [online], [site visited Feb. 7, 2017]. Available from Internet, <URL: <http://bulletin accurateshooter.com/tag/elevation/>>.

Under the Turret, posted at Primal Rights, posting date Feb. 27, 2015. [online], [site visited Feb. 7, 2017]. Available from Internet, <URL:<http://web.archive.org/web/20150227175258/http://www.primalrights.com/reviews/under-the-turret>>.

* cited by examiner

Primary Examiner — Kevin K Rudzinski
Assistant Examiner — Kathleen L Jones
 (74) *Attorney, Agent, or Firm* — Walter M. Egbert, III;
 Gerard M. Donovan; Reed Smith LLP

(57) **CLAIM**

We claim the ornamental design for rifle scope reference card holder, as shown and described.

DESCRIPTION

FIG. 1 is a front, perspective view of the rifle scope reference card holder, in a closed position;
 FIG. 2 is a top plan view of the rifle scope reference card holder of FIG. 1, in the closed position;
 FIG. 3 is a top plan view of the rifle scope reference card holder of FIG. 1, in an open position;

FIG. 4 is another top plan view of the riflescope reference card holder of FIG. 1, in the closed position;

FIG. 5 is another top plan view of the riflescope reference card holder of FIG. 1, in the open position;

FIG. 6 is a rear, perspective view of the riflescope reference card holder of FIG. 1, in the open position;

FIG. 7 is a front, perspective view of the riflescope reference card holder of FIG. 1, in the open position; and,

FIG. 8 is a top plan view of the riflescope reference card holder of FIG. 1, in a partially-open position.

Broken lines showing a riflescope are included for purposes of illustrating environmental structure; the broken lines showing portions of the riflescope reference card holder are included for purposes of illustrating portions of the article; all broken lines form no part of the claimed design. Oblique shading lines appearing in the drawings illustrate portions of the claimed design that comprise transparent surfaces.

1 Claim, 8 Drawing Sheets

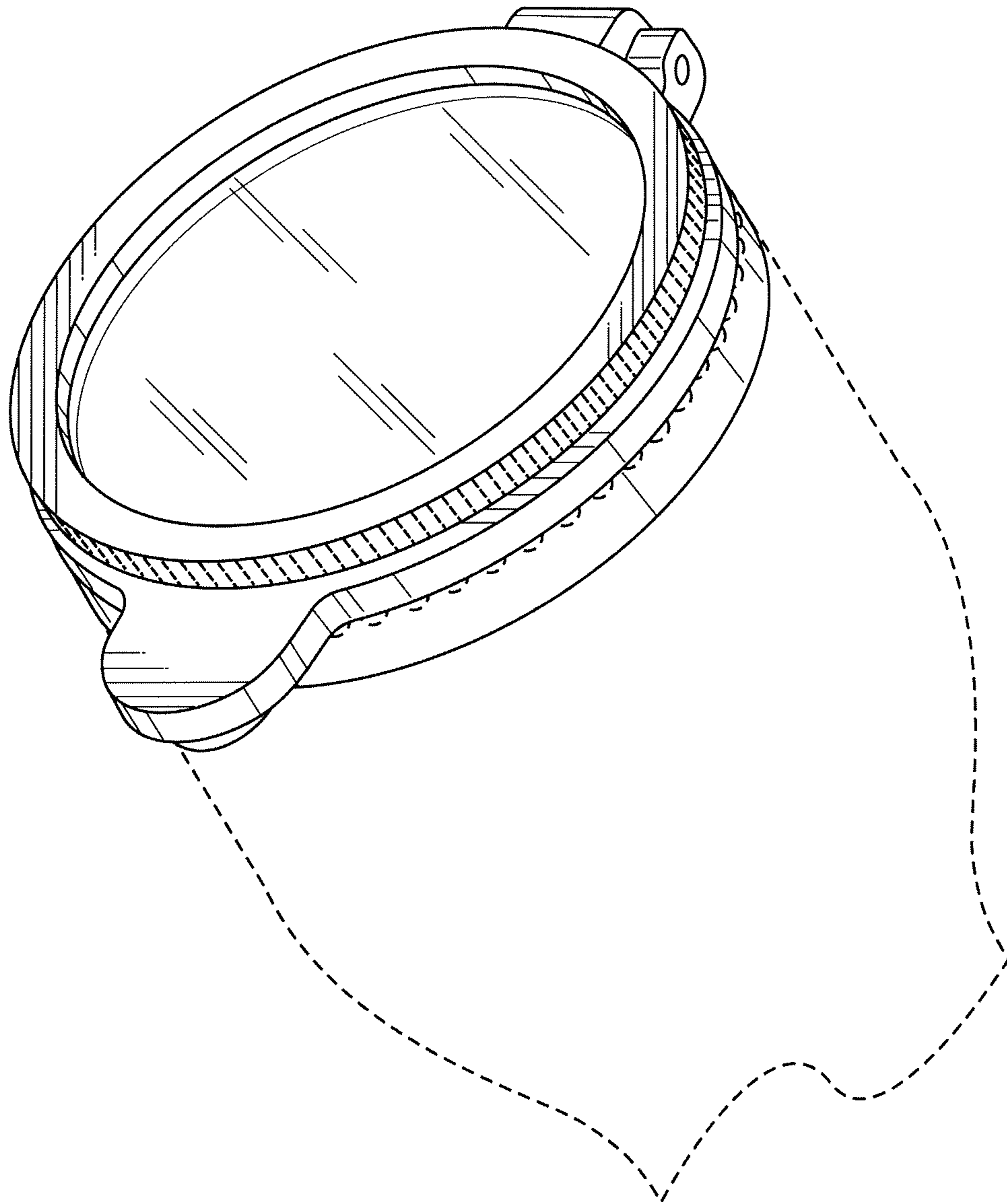


FIG. 1

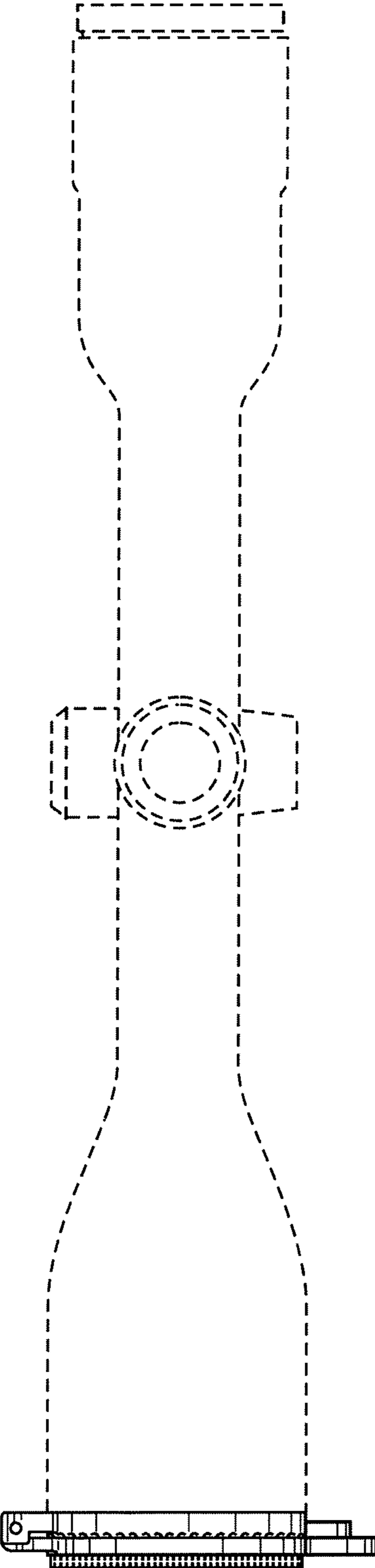


FIG. 2

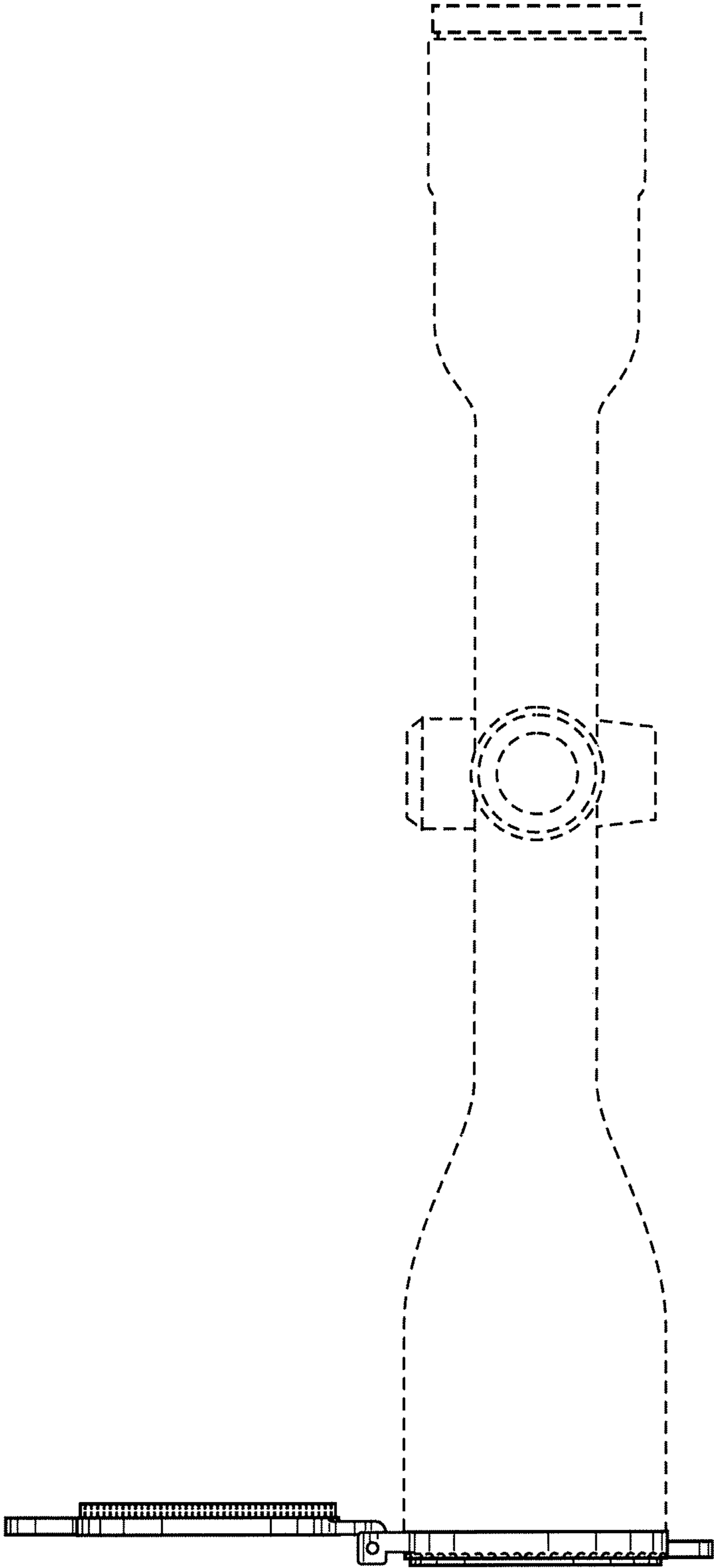


FIG. 3

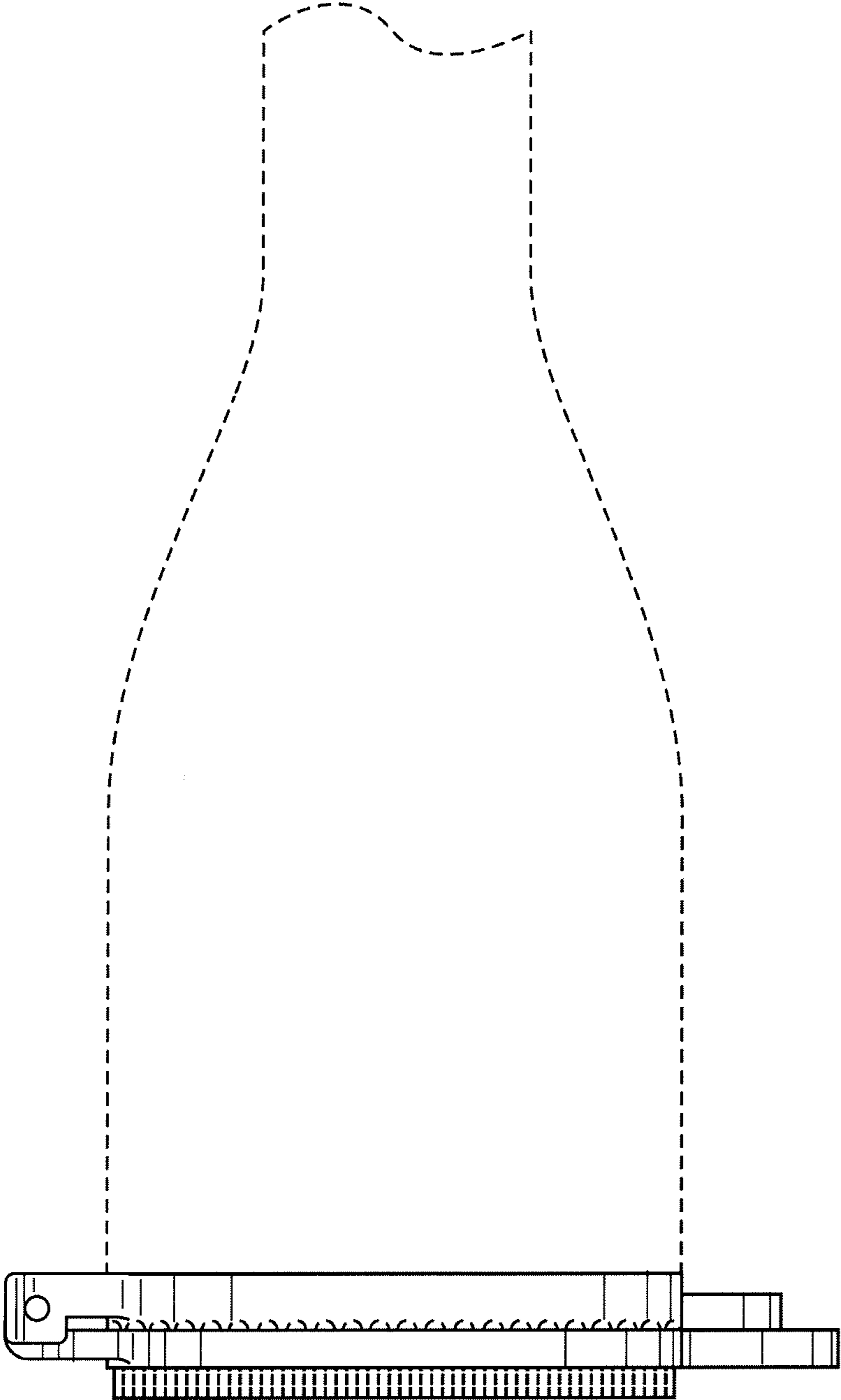


FIG. 4

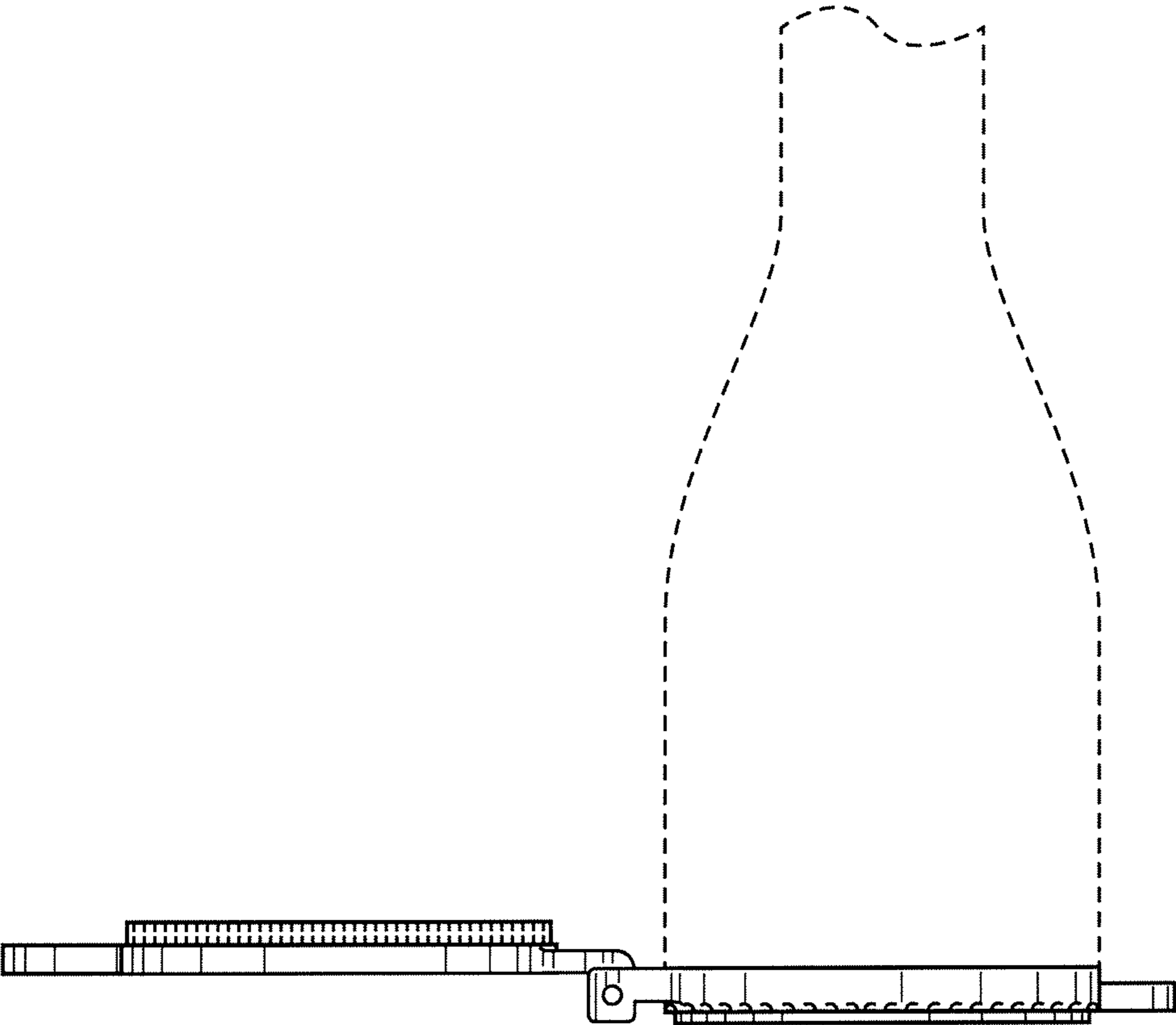


FIG. 5

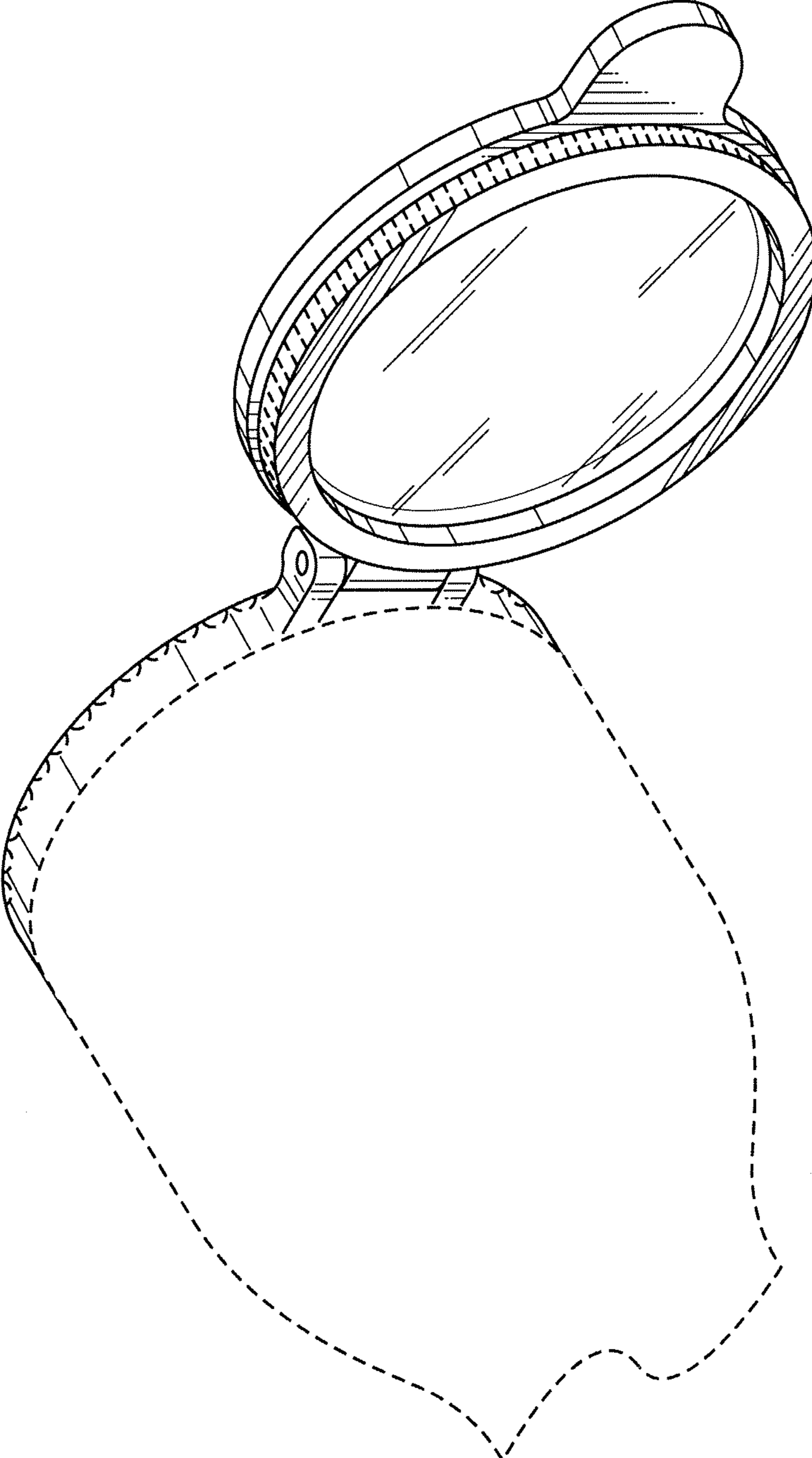


FIG. 6

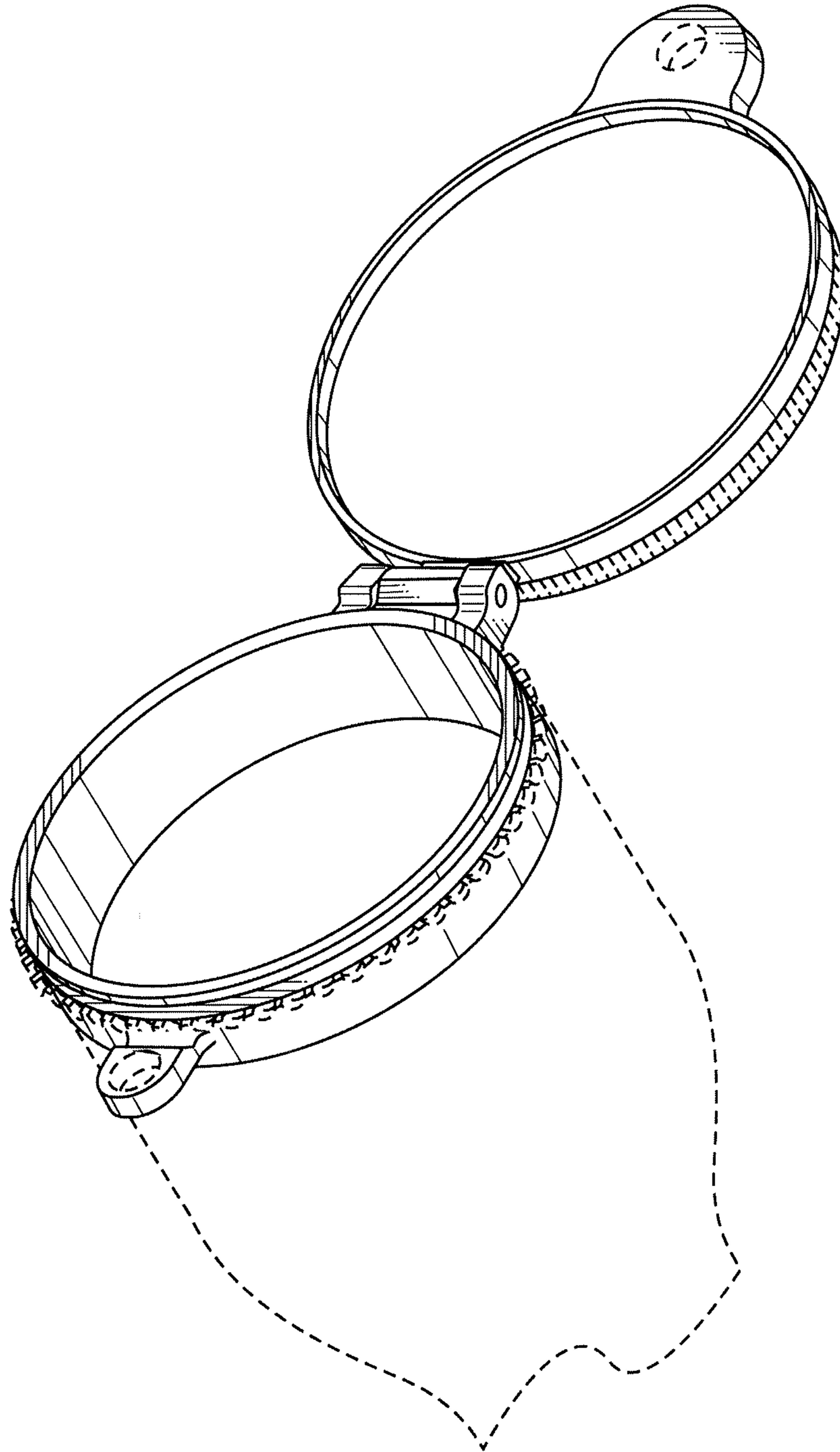


FIG. 7

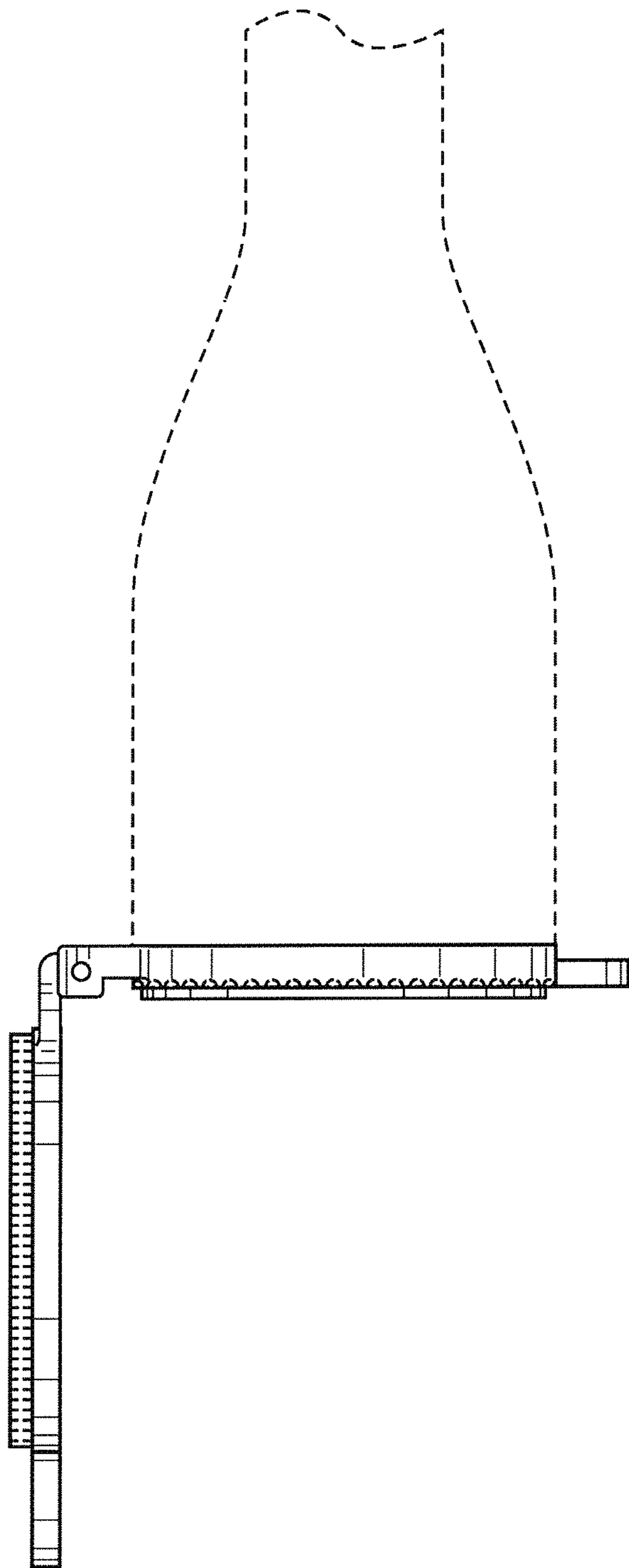


FIG. 8