



US00D884104S

(12) **United States Design Patent**  
**Boller et al.**

(10) **Patent No.:** **US D884,104 S**  
(45) **Date of Patent:** **\*\* May 12, 2020**

(54) **PLAY EQUIPMENT**

- (71) Applicant: **Community Products, LLC**, Rifton, NY (US)
- (72) Inventors: **Kevin Mark Boller**, Walden, NY (US); **Reuel Clement**, Walden, NY (US); **Jay Warren Huleatt**, Walden, NY (US)
- (73) Assignee: **Church Stewardship Inc.**, Rifton, NY (US)
- (\*\*) Term: **15 Years**
- (21) Appl. No.: **29/670,048**
- (22) Filed: **Nov. 13, 2018**
- (51) **LOC (12) Cl.** ..... **21-03**
- (52) **U.S. Cl.**  
USPC ..... **D21/815**
- (58) **Field of Classification Search**  
USPC ..... D21/811, 814-816, 826, 827  
(Continued)

(56) **References Cited**

**U.S. PATENT DOCUMENTS**

- 1,744,079 A \* 1/1930 Phillips ..... B07B 1/04  
472/126
- D280,436 S \* 9/1985 Mariol ..... D21/815  
(Continued)

**OTHER PUBLICATIONS**

Kaplan Outdoor Sand Trays, product for sale (<https://www.kaplanco.com/product/63765/outdoor-sand-trays-set-of-4-4-inchh-x-17-1-3-inchl-x-15-inchw>), at least as early as Nov. 12, 2018.  
(Continued)

*Primary Examiner* — Mitchell I. Siegel  
(74) *Attorney, Agent, or Firm* — Mandelbaum Silfin Economou LLP

(57) **CLAIM**

The ornamental design for play equipment, as shown and described.

**DESCRIPTION**

FIG. 1 is a perspective view of the play equipment showing our new design;  
FIG. 2 is a front view of the play equipment shown in FIG. 1;  
FIG. 3 is a back view of the play equipment shown in FIG. 1;  
FIG. 4 is a left view of the play equipment shown in FIG. 1;  
FIG. 5 is a right view of the play equipment shown in FIG. 1;  
FIG. 6 is a top view of the play equipment shown in FIG. 1;  
FIG. 7 is a bottom view of the play equipment shown in FIG. 1;  
FIG. 8 is a perspective view of a second embodiment of the play equipment showing our new design;  
FIG. 9 is a front view of the play equipment shown in FIG. 8;  
FIG. 10 is a back view of the play equipment shown in FIG. 8;  
FIG. 11 is a left view of the play equipment shown in FIG. 8;  
FIG. 12 is a right view of the play equipment shown in FIG. 8;  
FIG. 13 is a top view of the play equipment shown in FIG. 8;  
FIG. 14 is a bottom view of the play equipment shown in FIG. 8;  
FIG. 15 is a perspective view of a third embodiment of the play equipment showing our new design;  
FIG. 16 is a front view of the play equipment shown in FIG. 15;  
FIG. 17 is a back view of the play equipment shown in FIG. 15;  
FIG. 18 is a left view of the play equipment shown in FIG. 15;  
FIG. 19 is a right view of the play equipment shown in FIG. 15;  
FIG. 20 is a top view of the play equipment shown in FIG. 15; and,

(Continued)

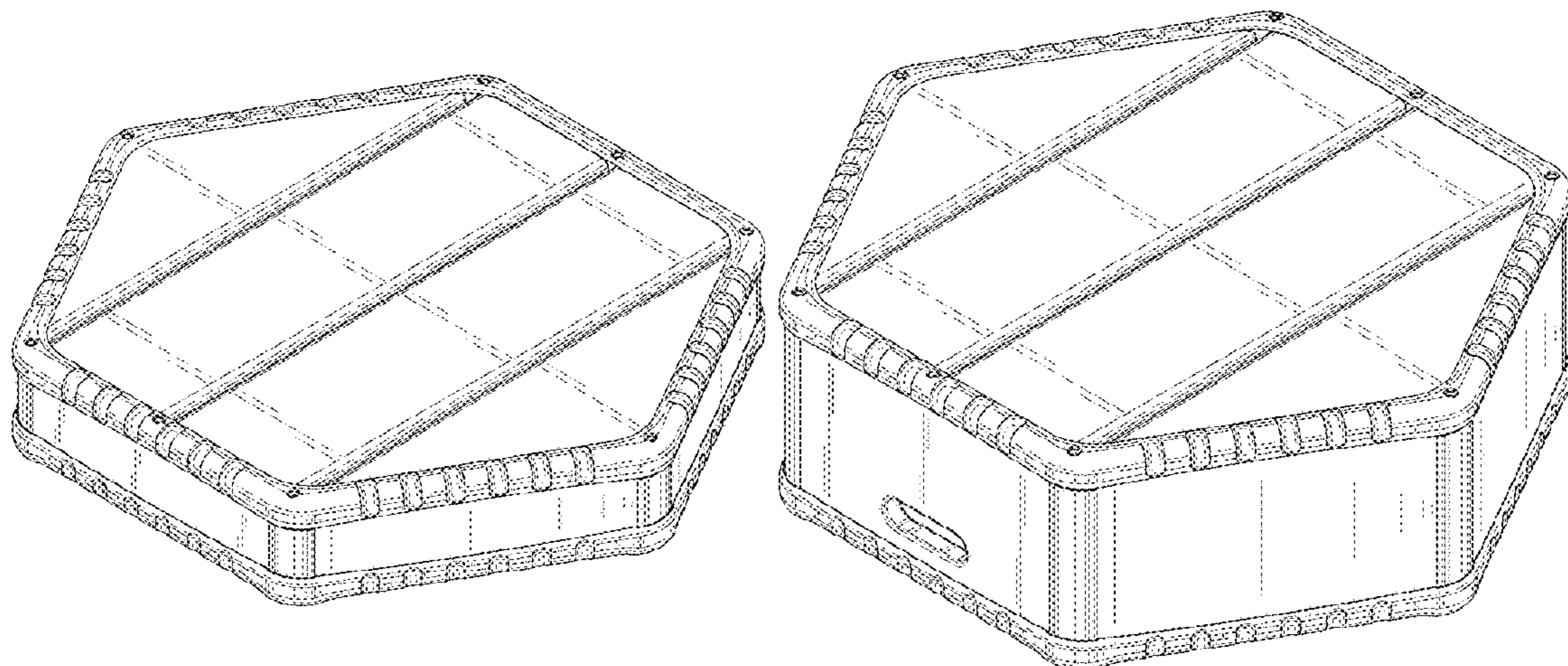


FIG. 21 is a bottom view of the play equipment shown in FIG. 15.

**1 Claim, 21 Drawing Sheets**

**(58) Field of Classification Search**

CPC .. E04H 15/58; E04H 4/08-108; A01K 1/0107  
See application file for complete search history.

**(56) References Cited**

U.S. PATENT DOCUMENTS

D308,088	S	*	5/1990	Mariol	.....	D21/815
D311,432	S	*	10/1990	Cattoni	.....	D21/816
D334,789	S	*	4/1993	Fish, Jr.	.....	D21/815
D372,290	S	*	7/1996	Bookstaver	.....	D21/815
D394,894	S	*	6/1998	Strawcutter	.....	D21/814
D397,397	S	*	8/1998	Strawcutter	.....	D21/811
D592,726	S	*	5/2009	Auberger	.....	D21/815
7,584,717	B2	*	9/2009	Skovron	.....	A01K 1/0107
						119/165
D758,516	S	*	6/2016	Radford	.....	D21/814
D863,485	S	*	10/2019	Vannatta	.....	D21/811

OTHER PUBLICATIONS

Outdorable Beaverlodge Wooden Outdoor Play Climbers, products for sale (<https://outdorable.com/products/outdoor-adventure-play-equipment>), at least as early as Nov. 12, 2018.

\* cited by examiner

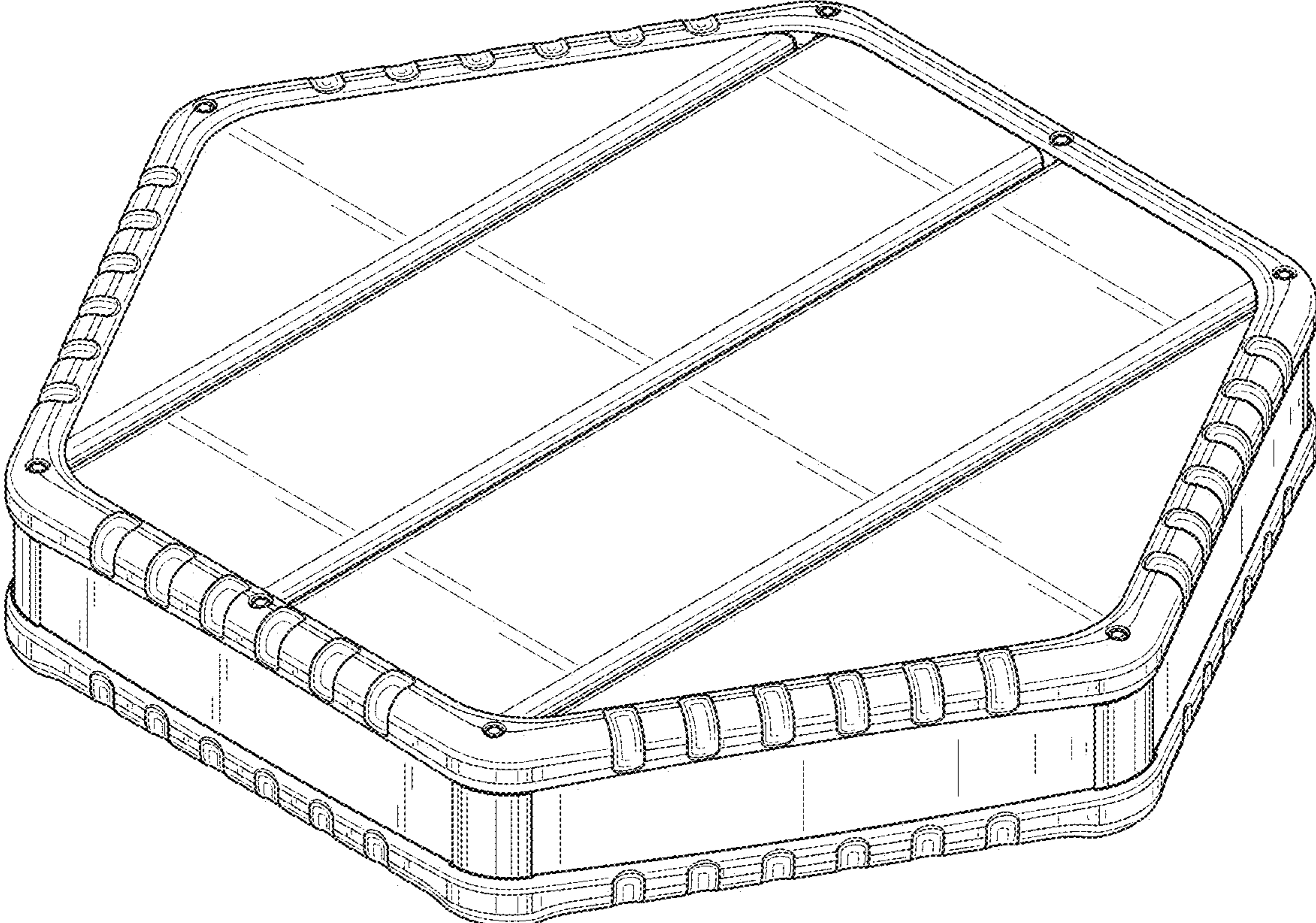


FIG. 1

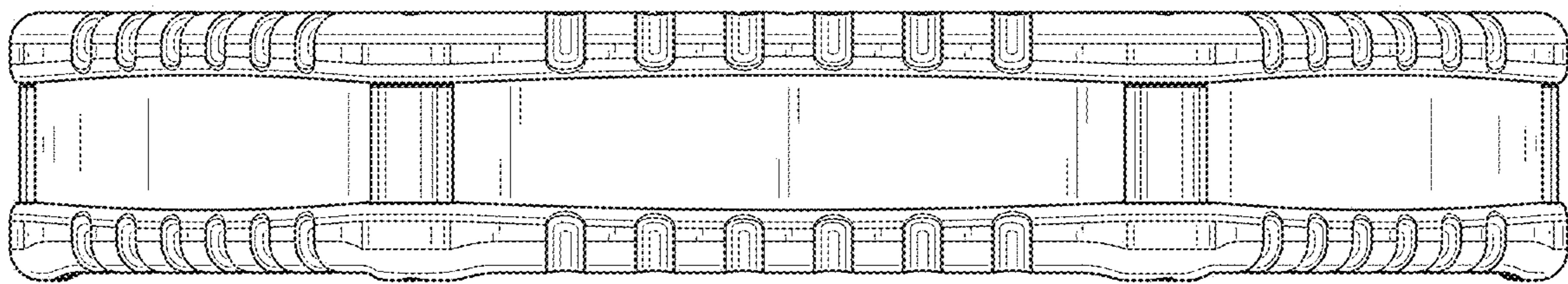


FIG. 2

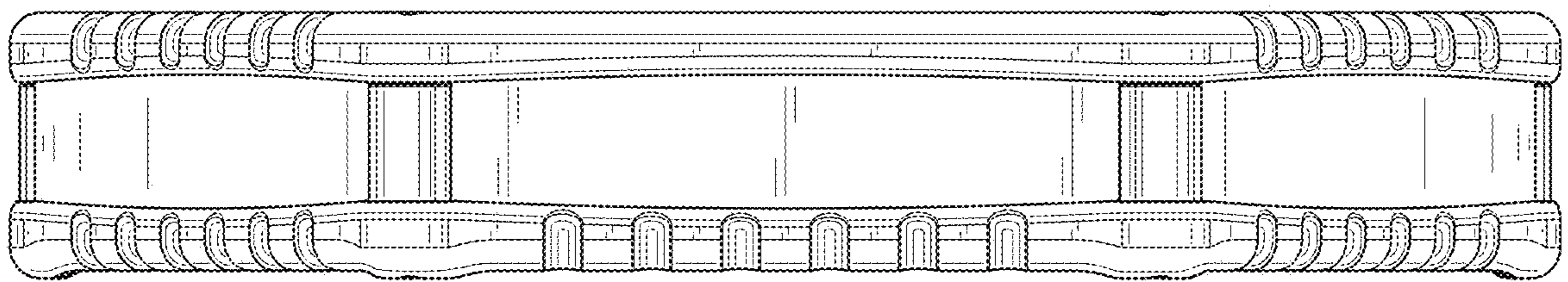


FIG. 3

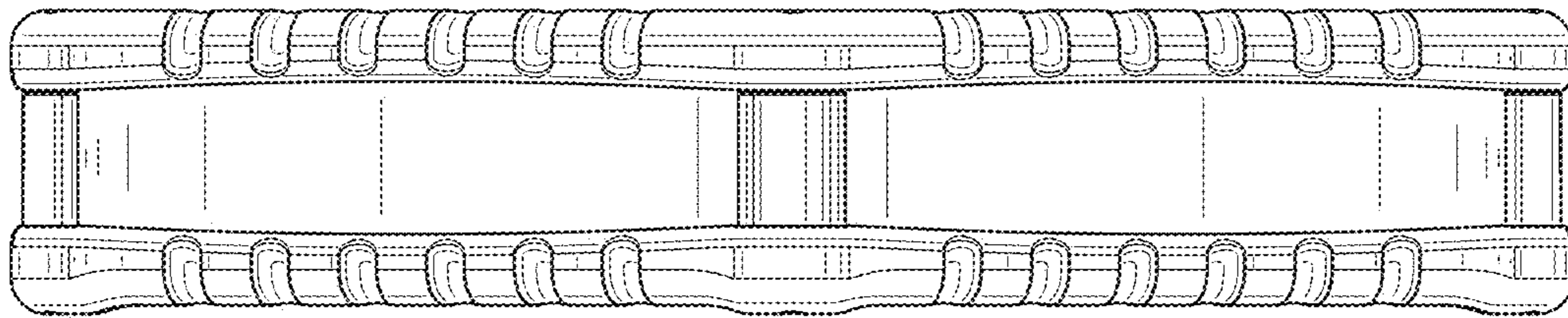


FIG. 4

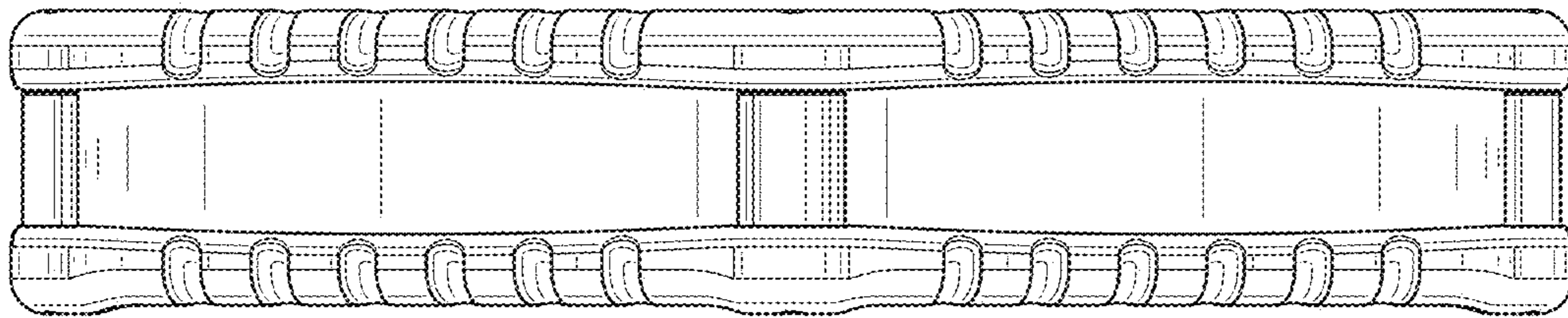


FIG. 5

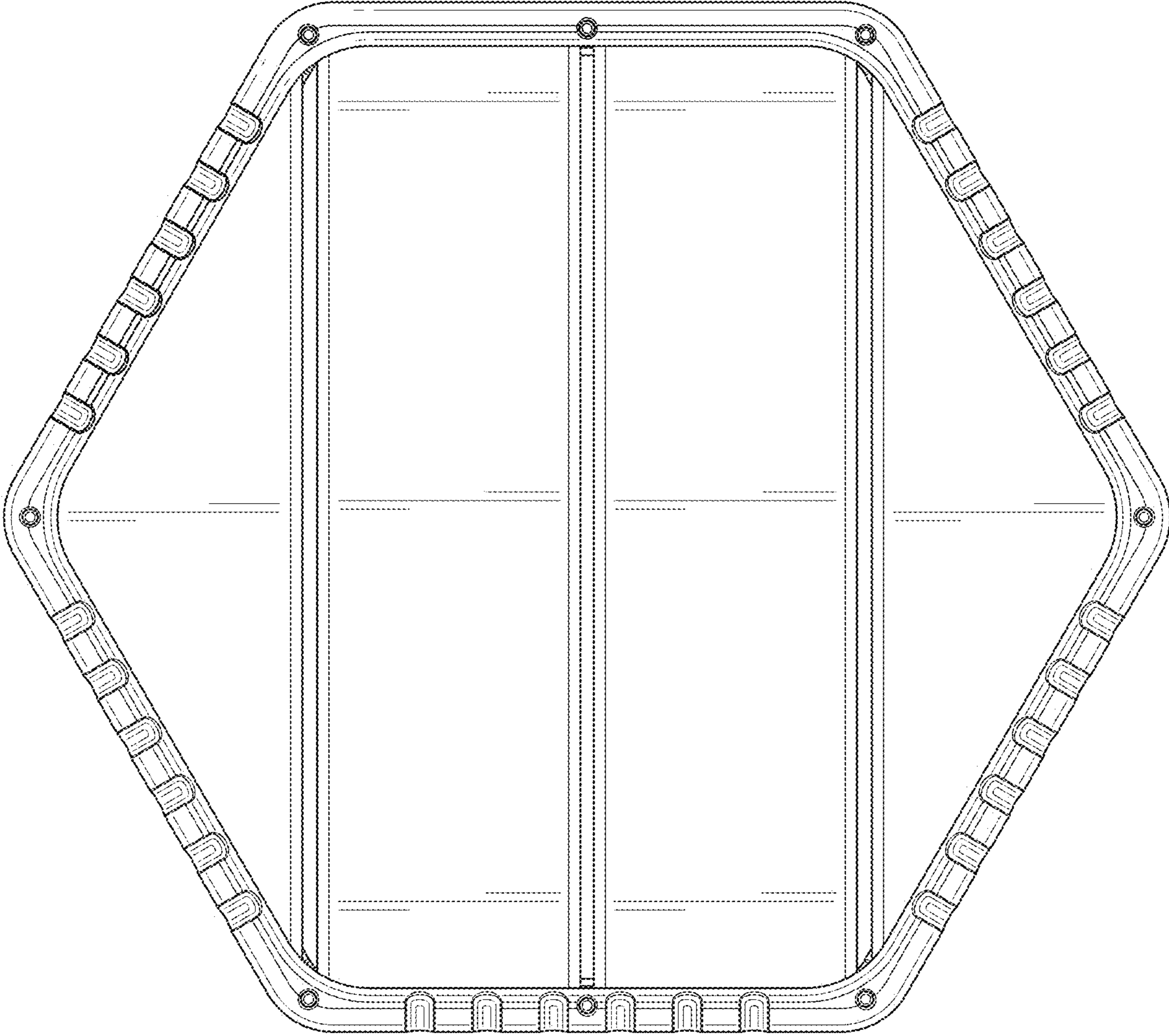


FIG. 6



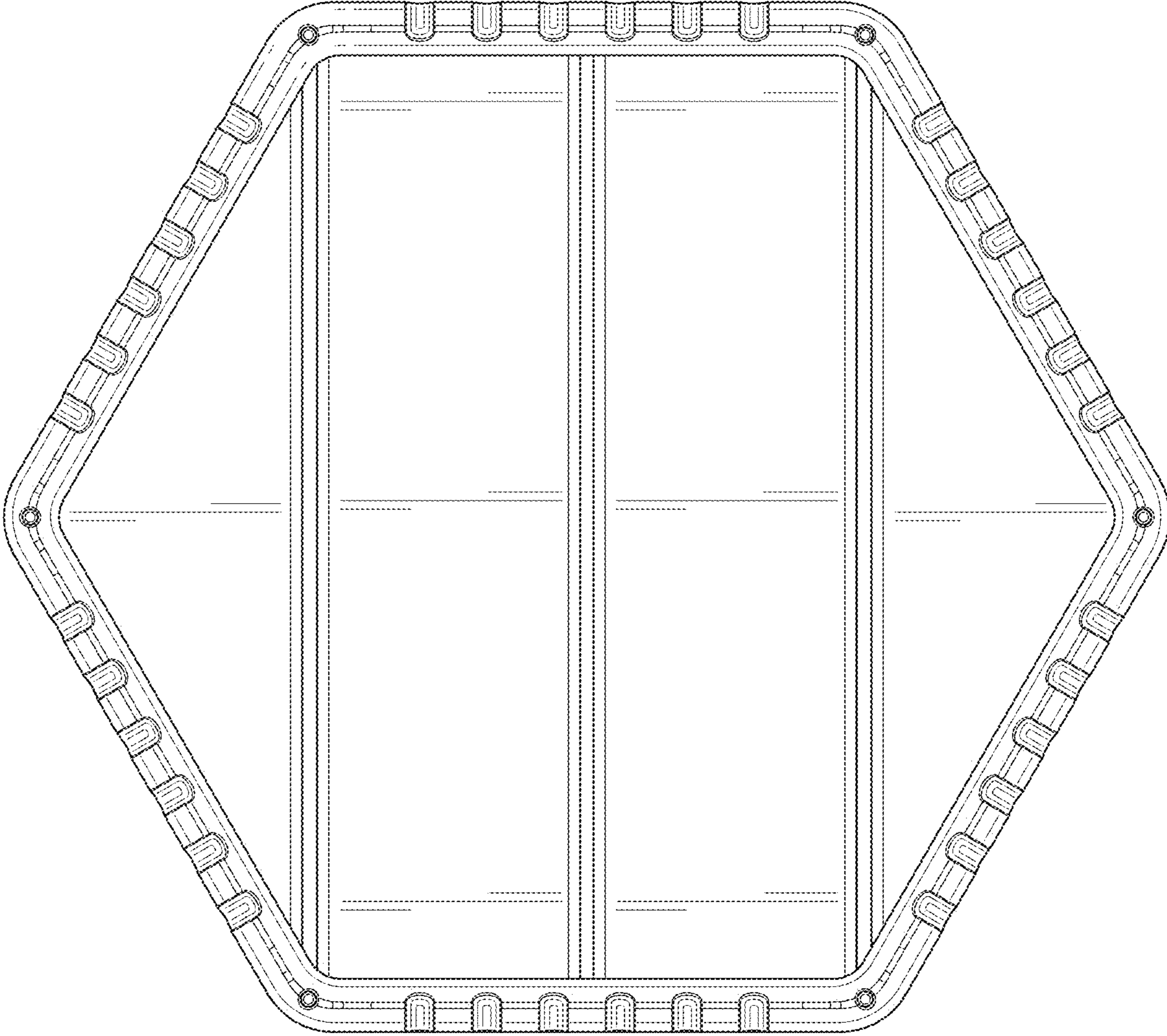


FIG. 7

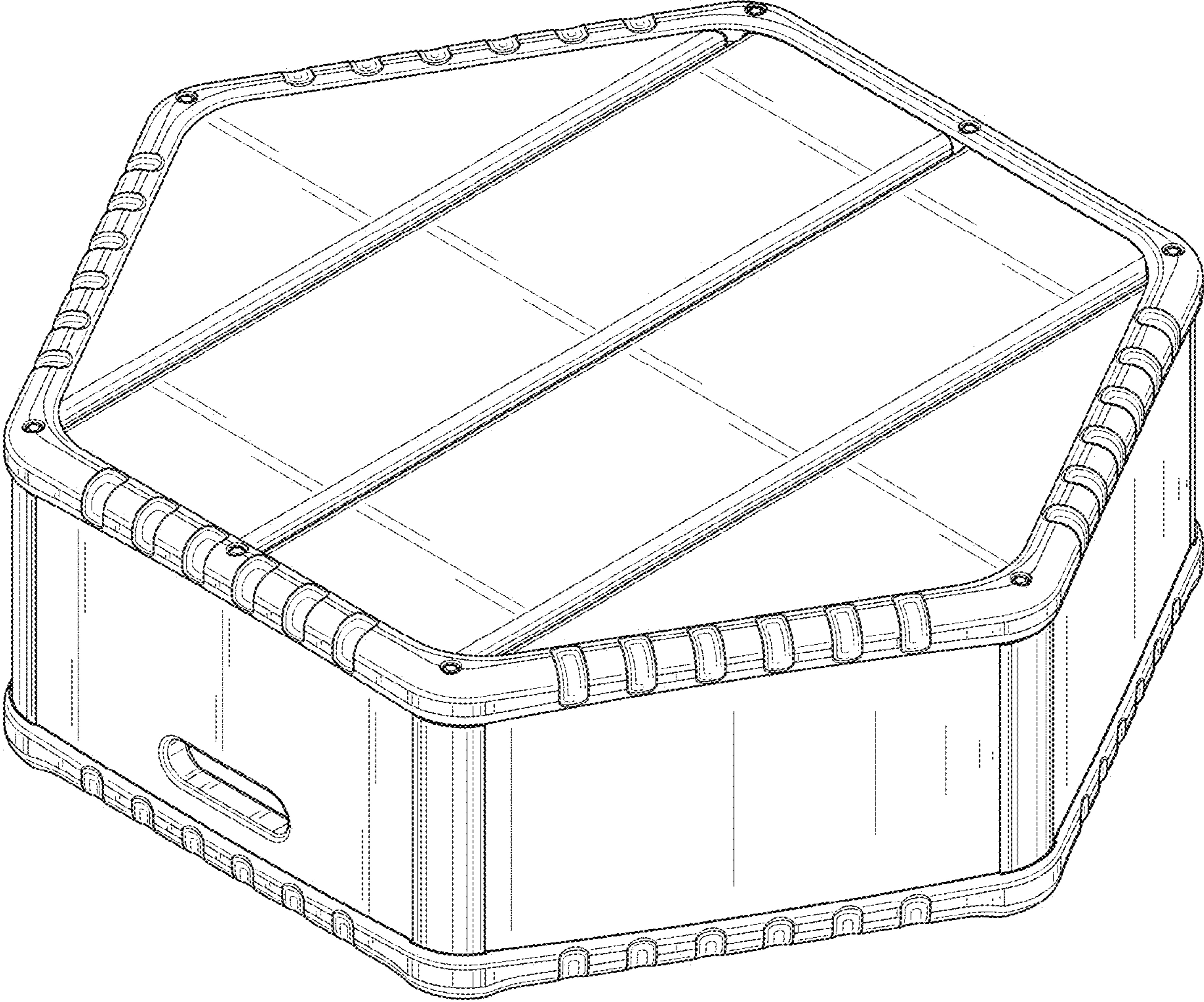


FIG. 8

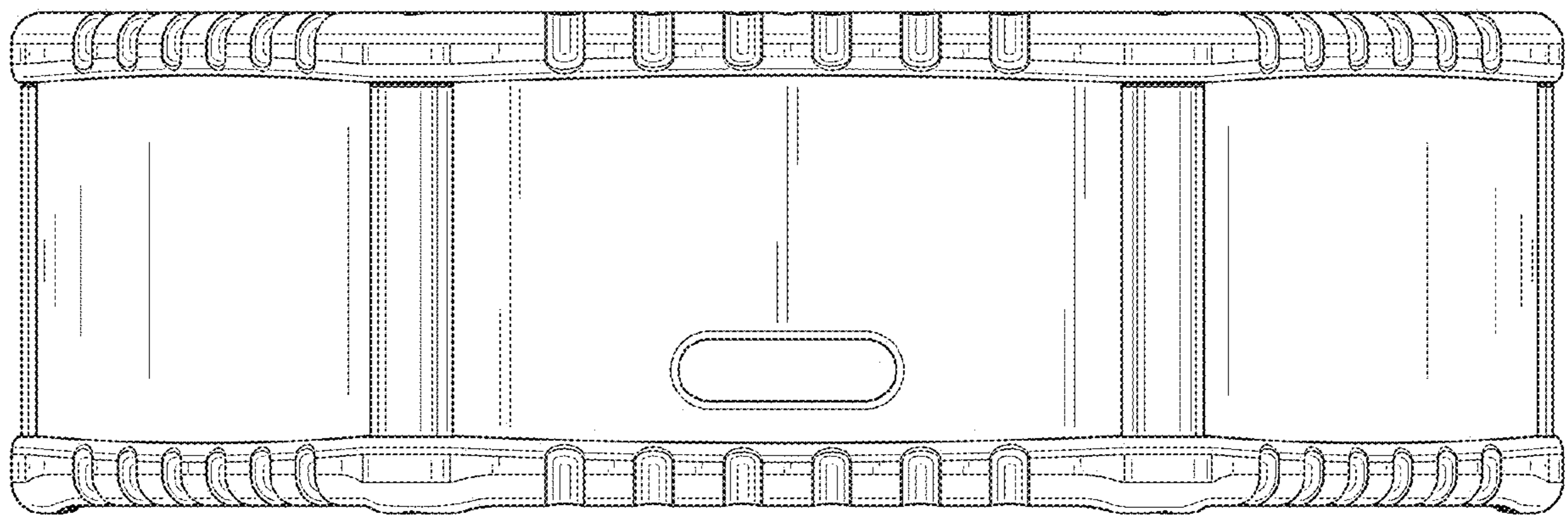


FIG. 9

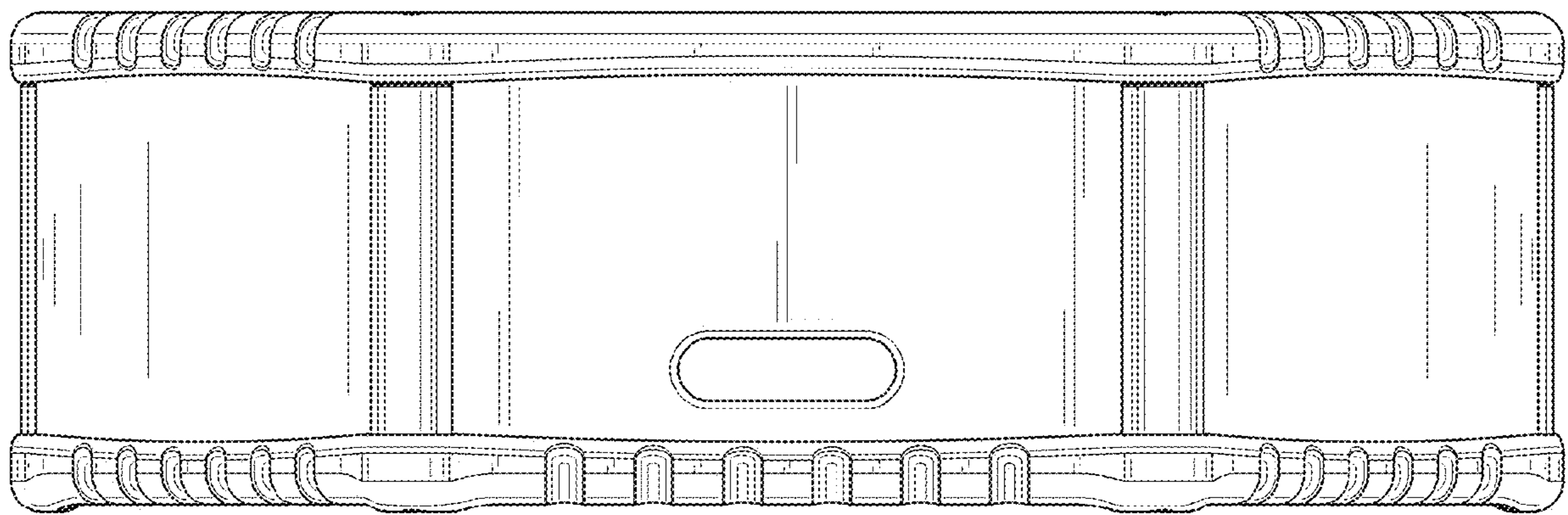


FIG. 10

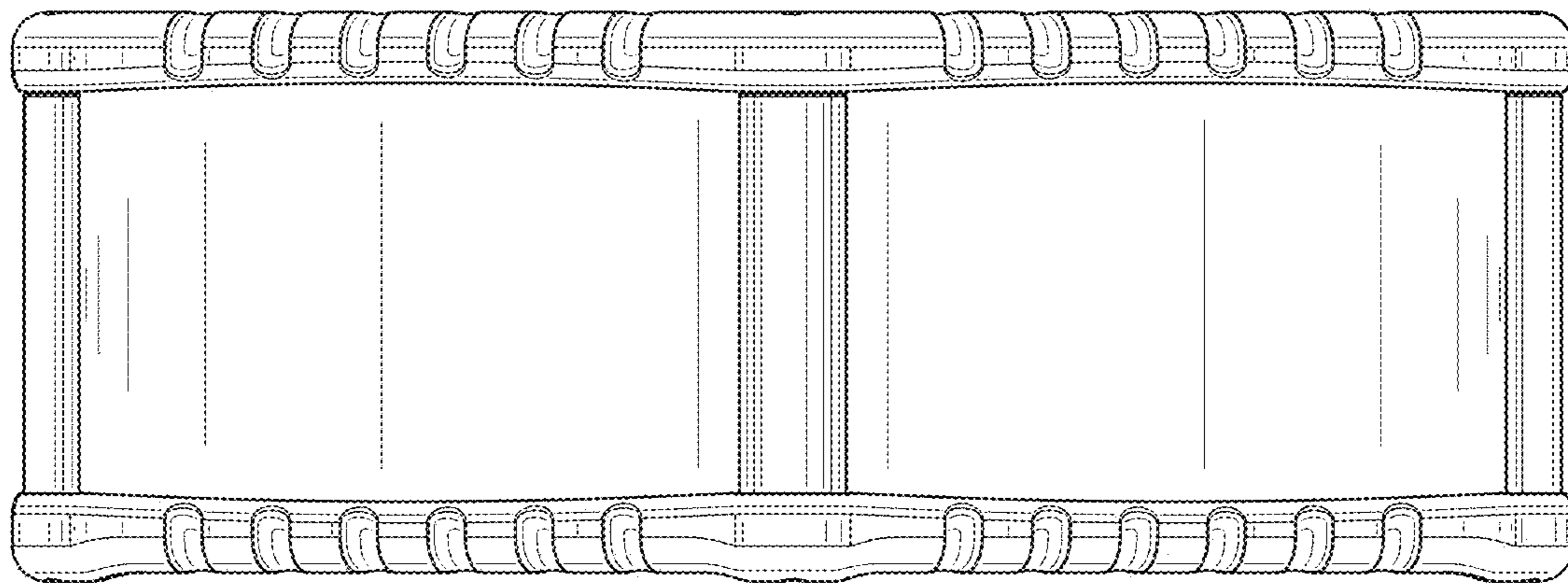


FIG. 11

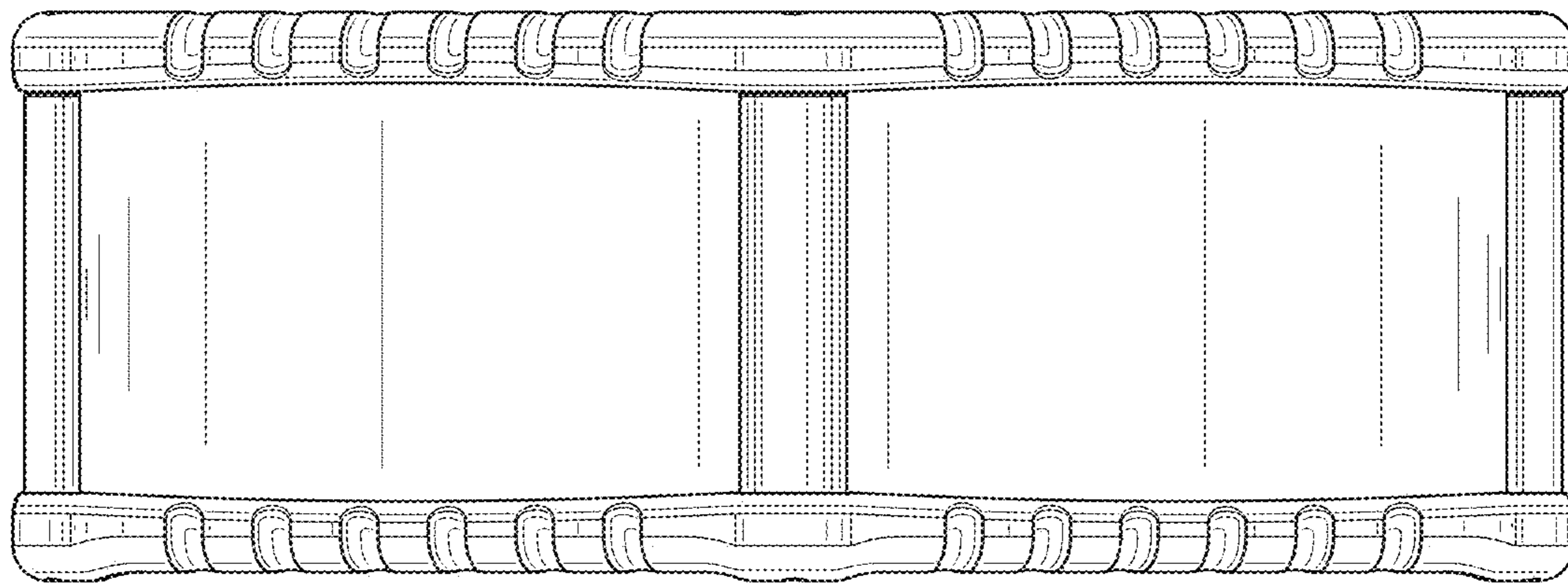


FIG. 12

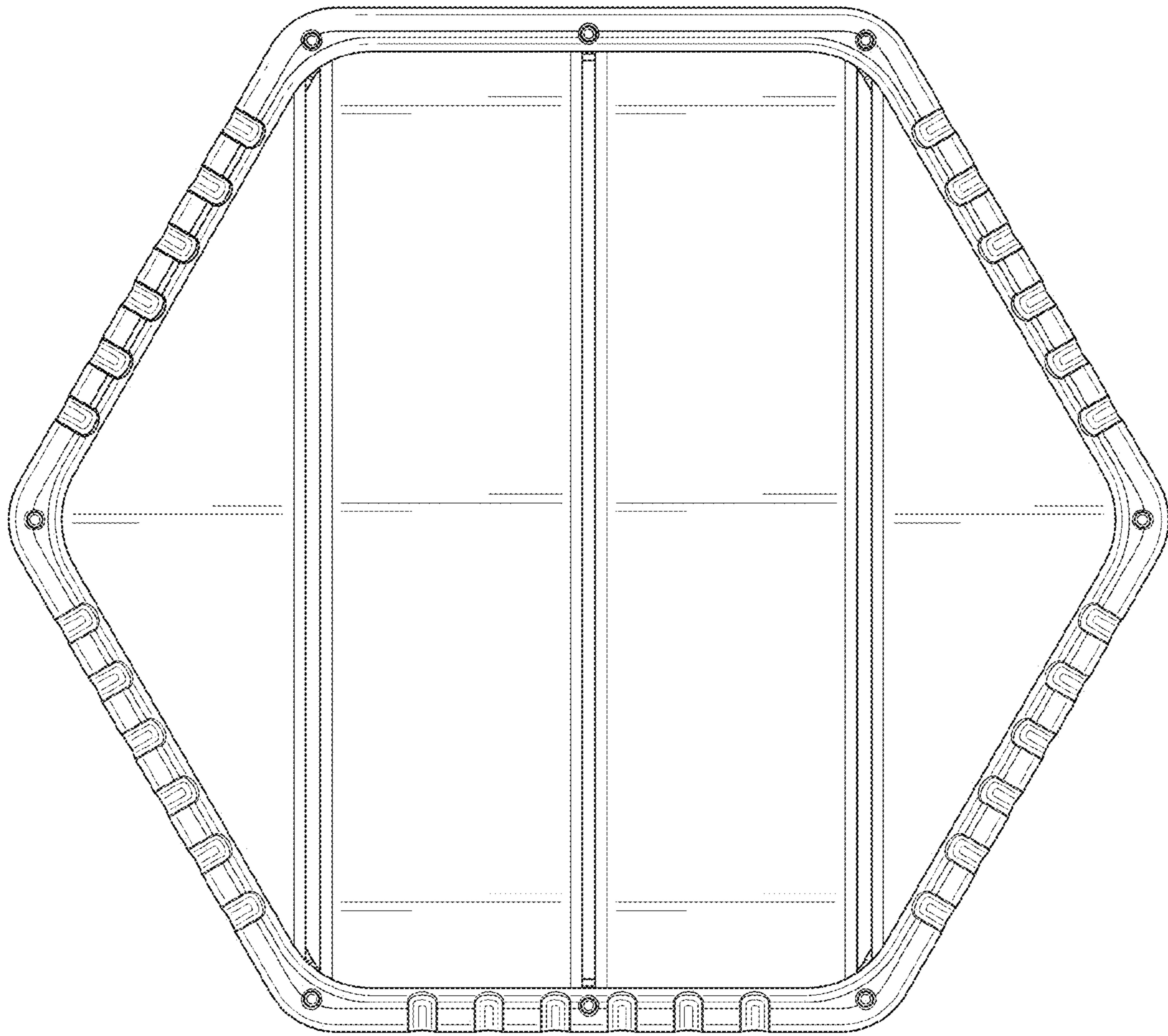


FIG. 13

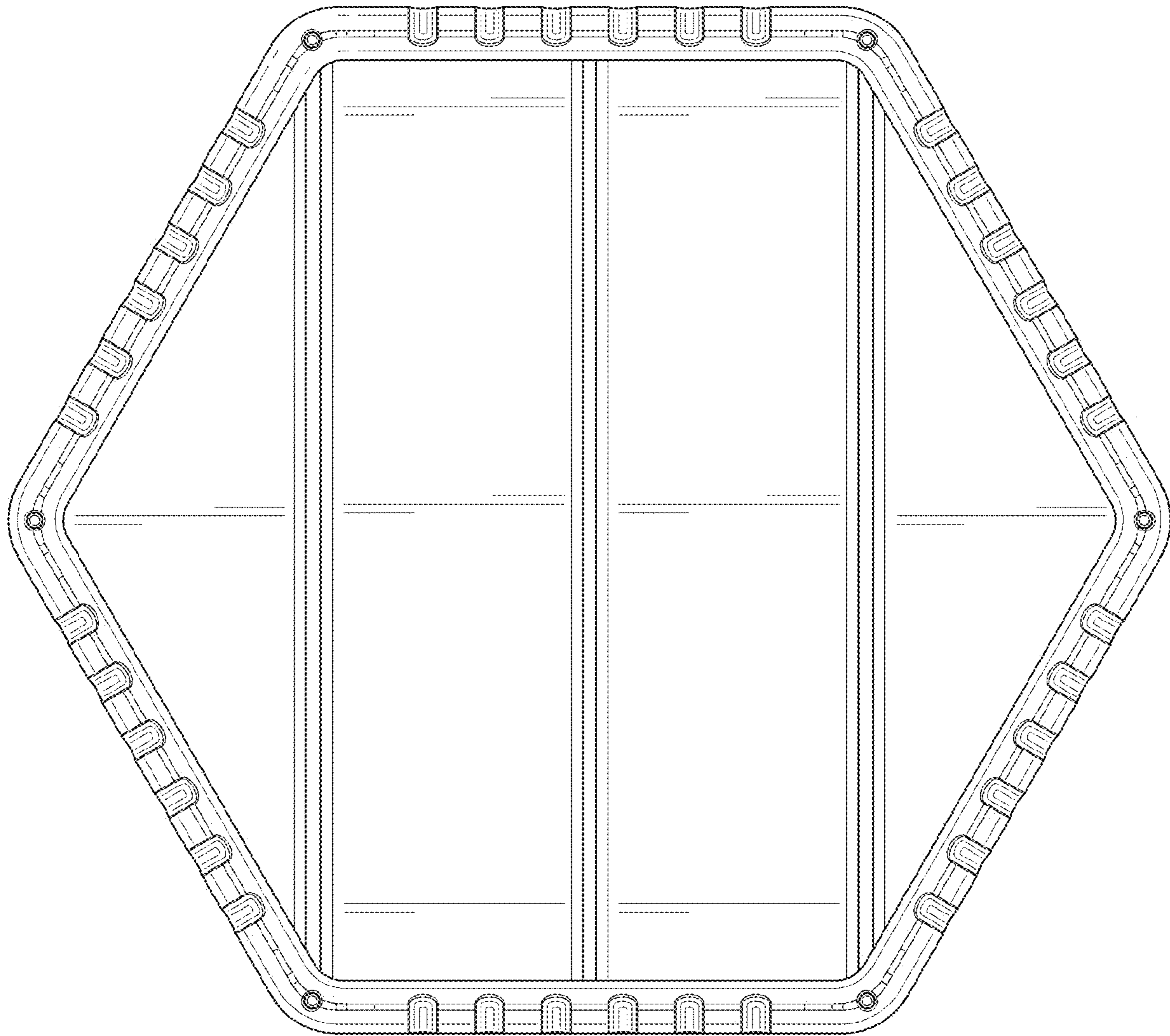


FIG. 14



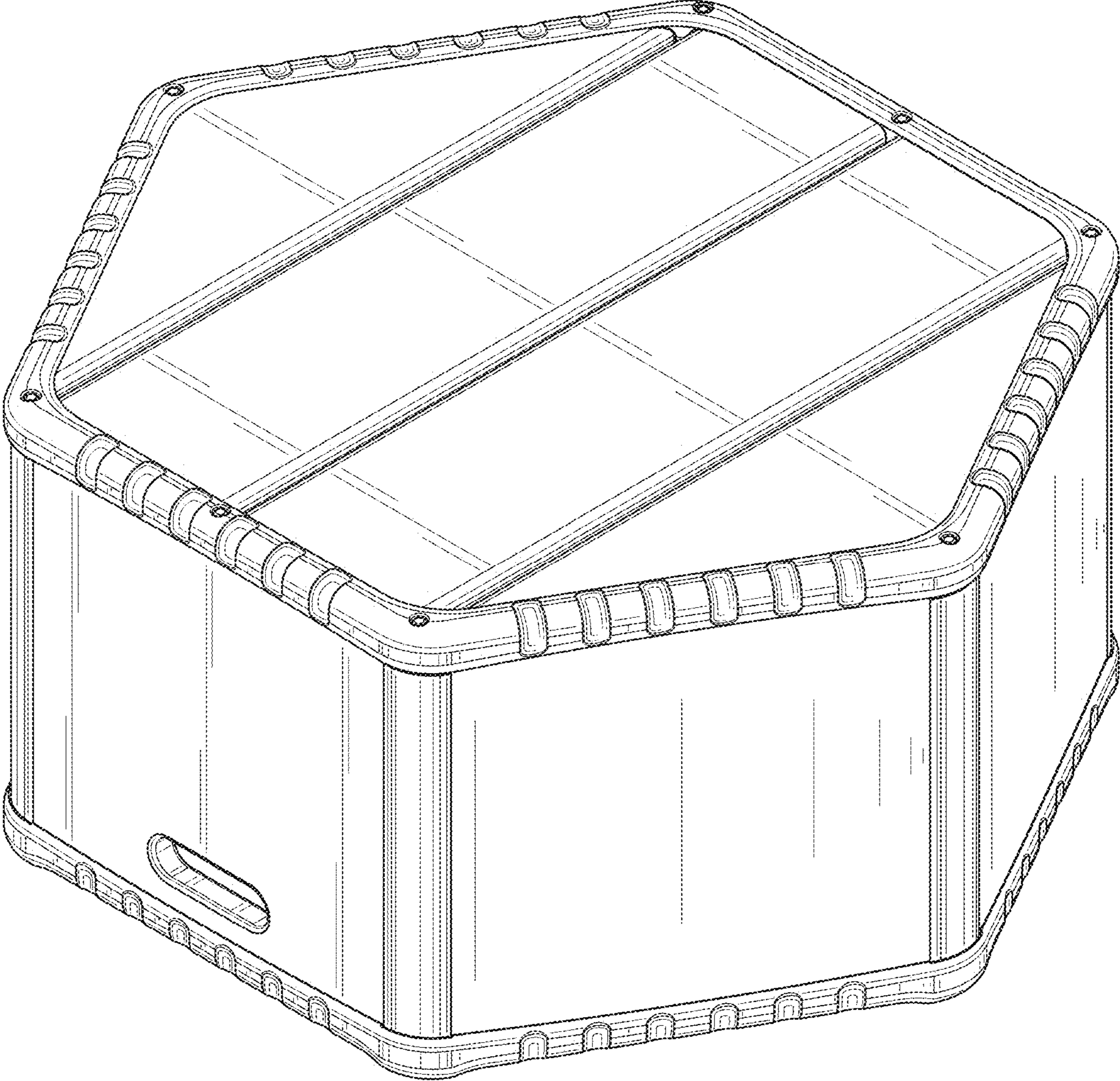


FIG. 15

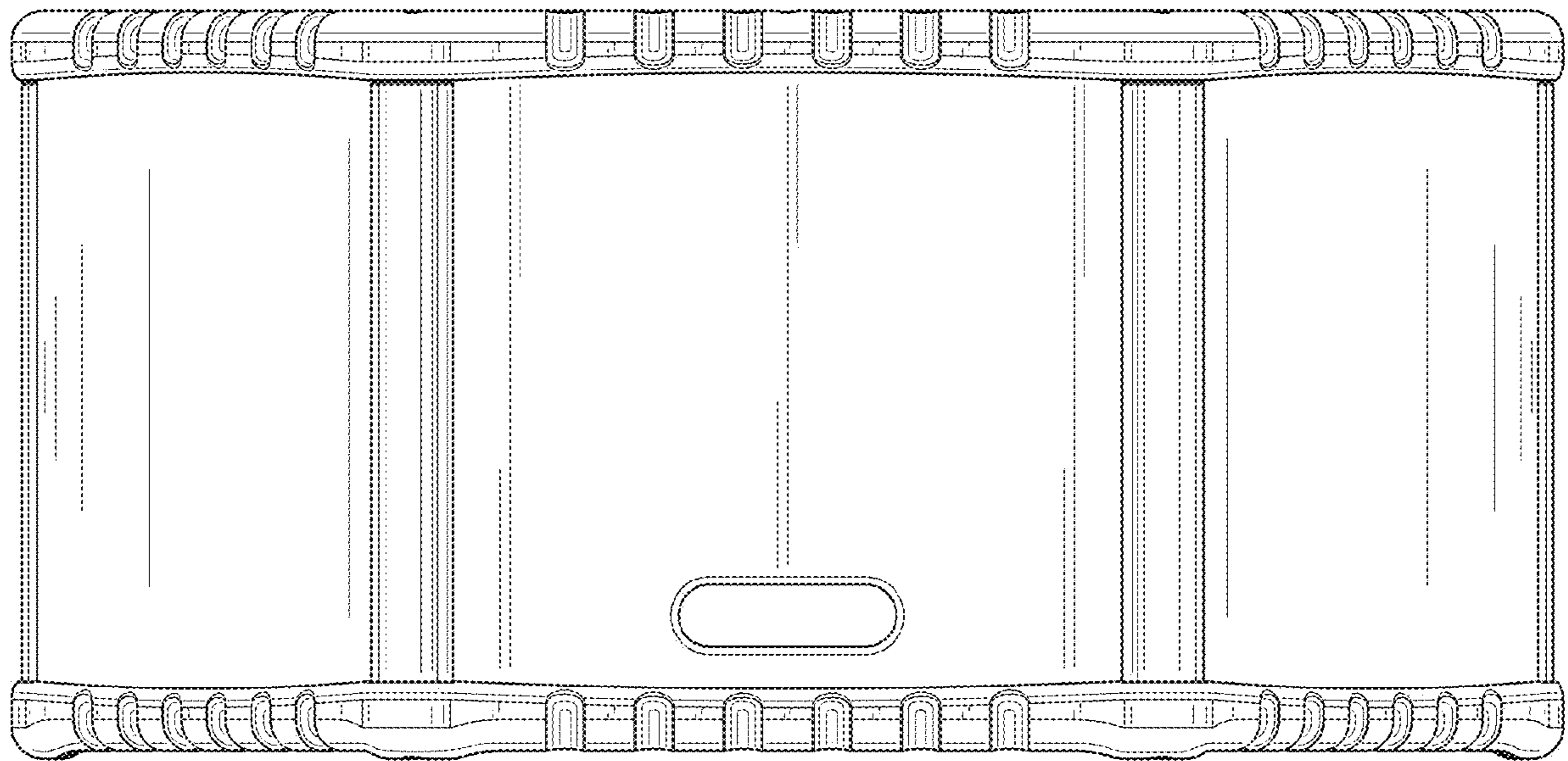


FIG. 16

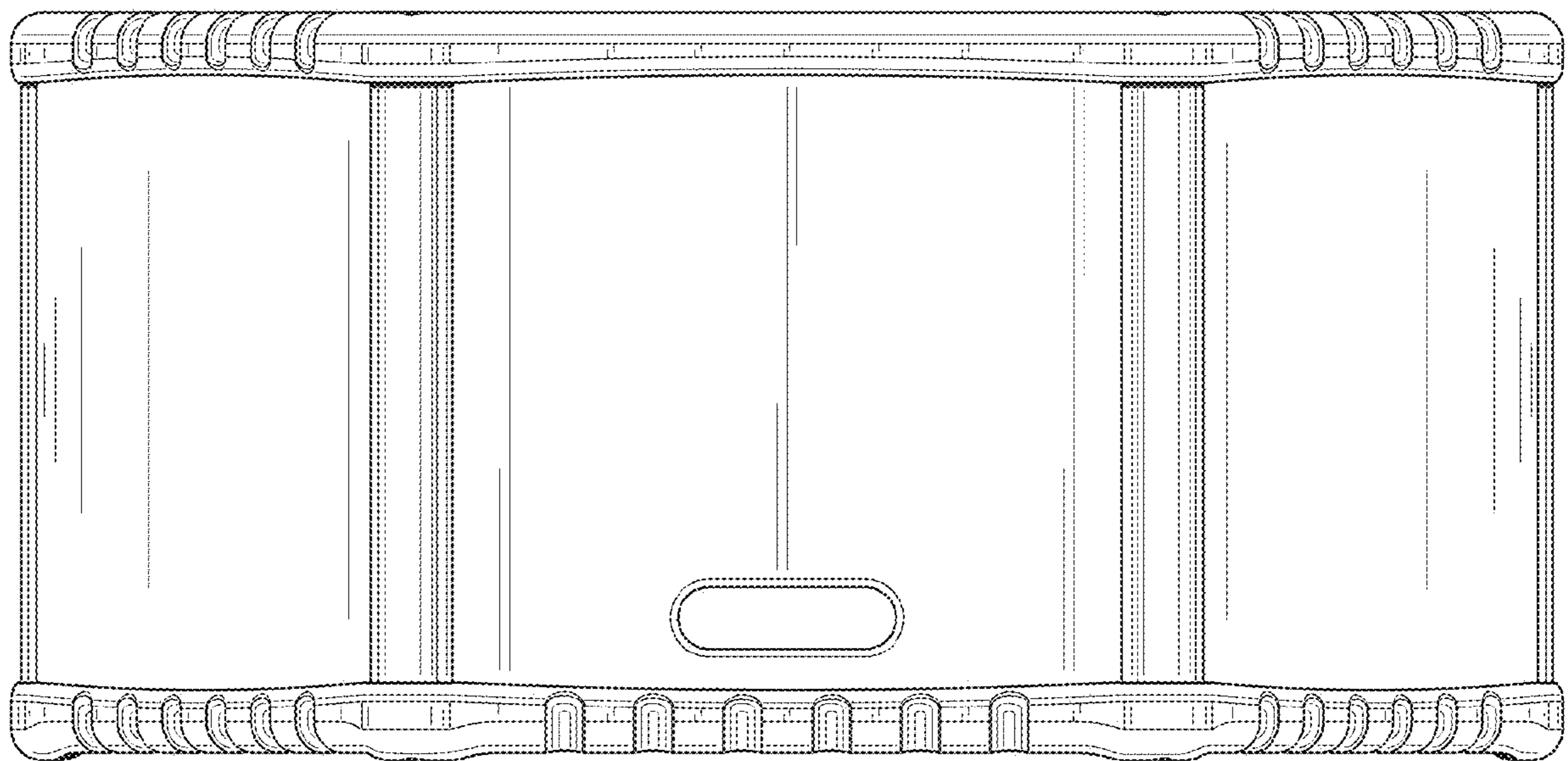


FIG. 17

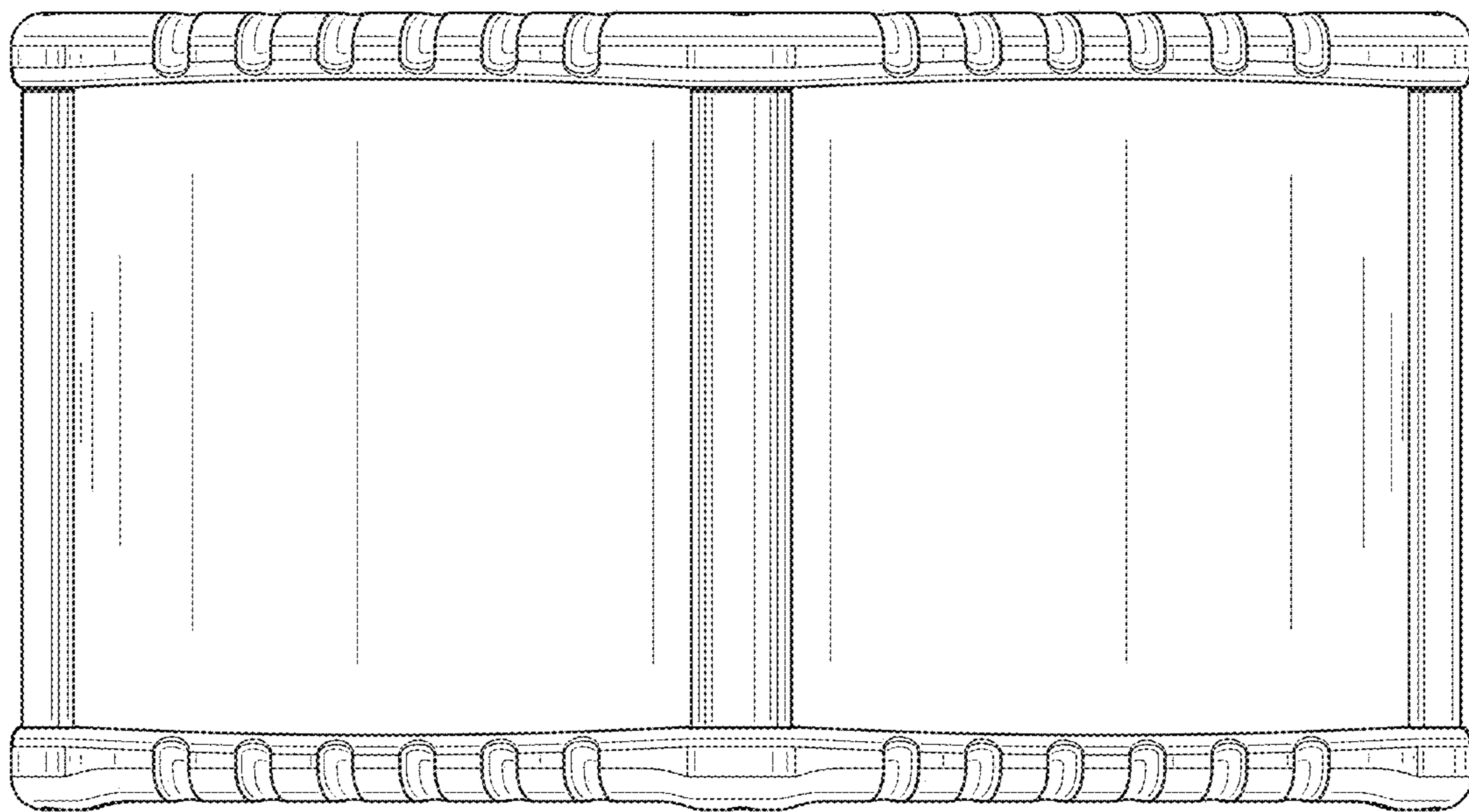


FIG. 18

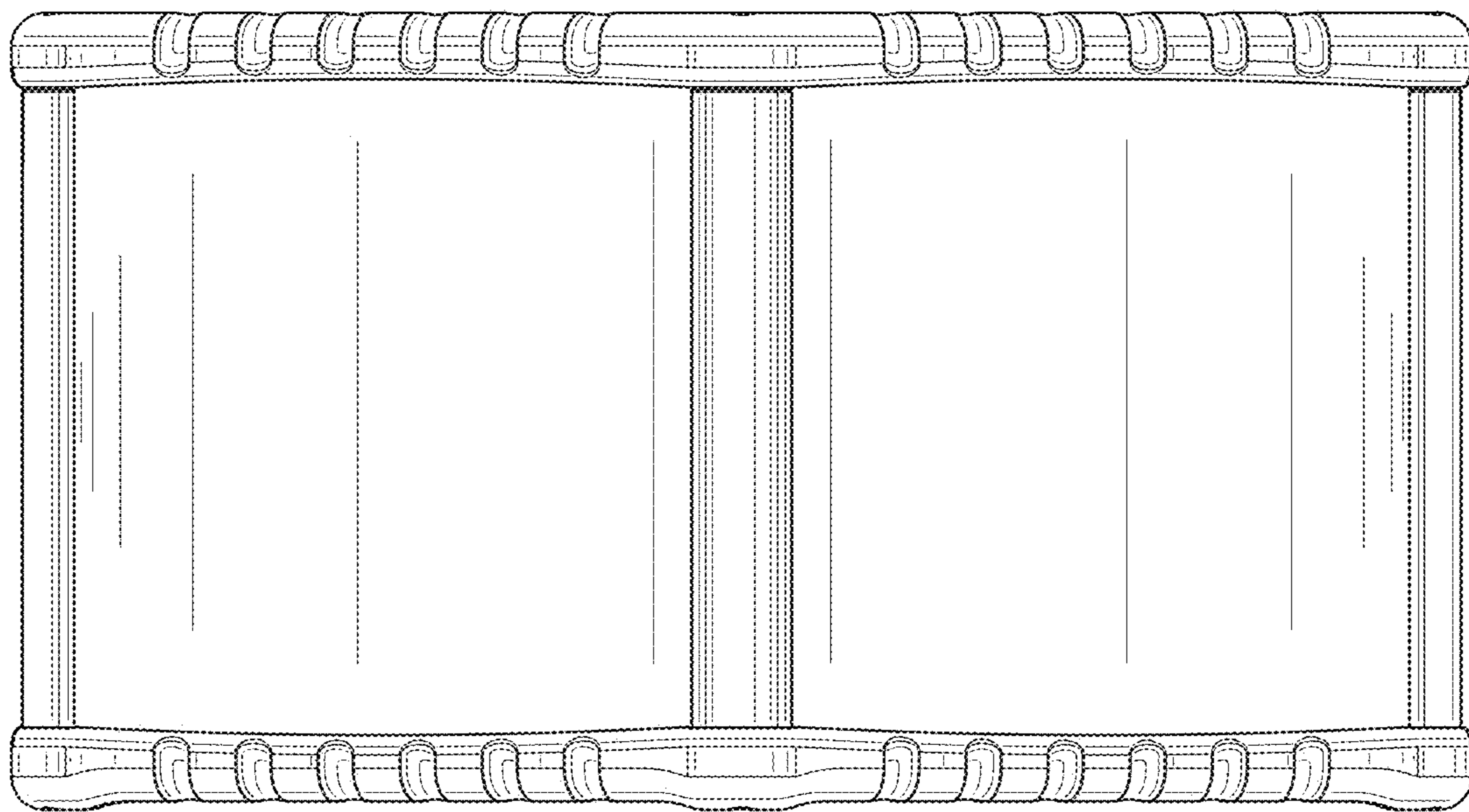


FIG. 19

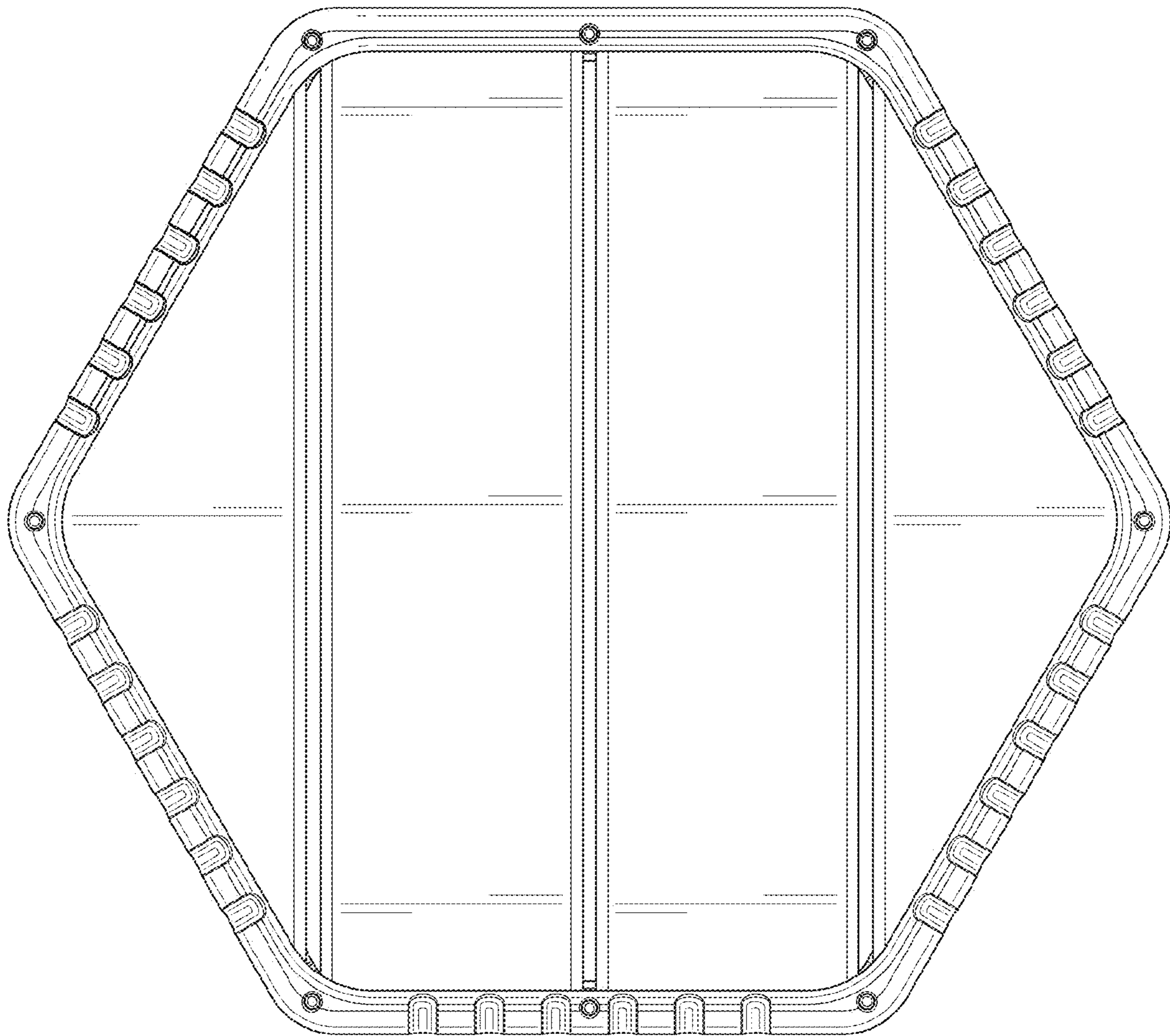


FIG. 20

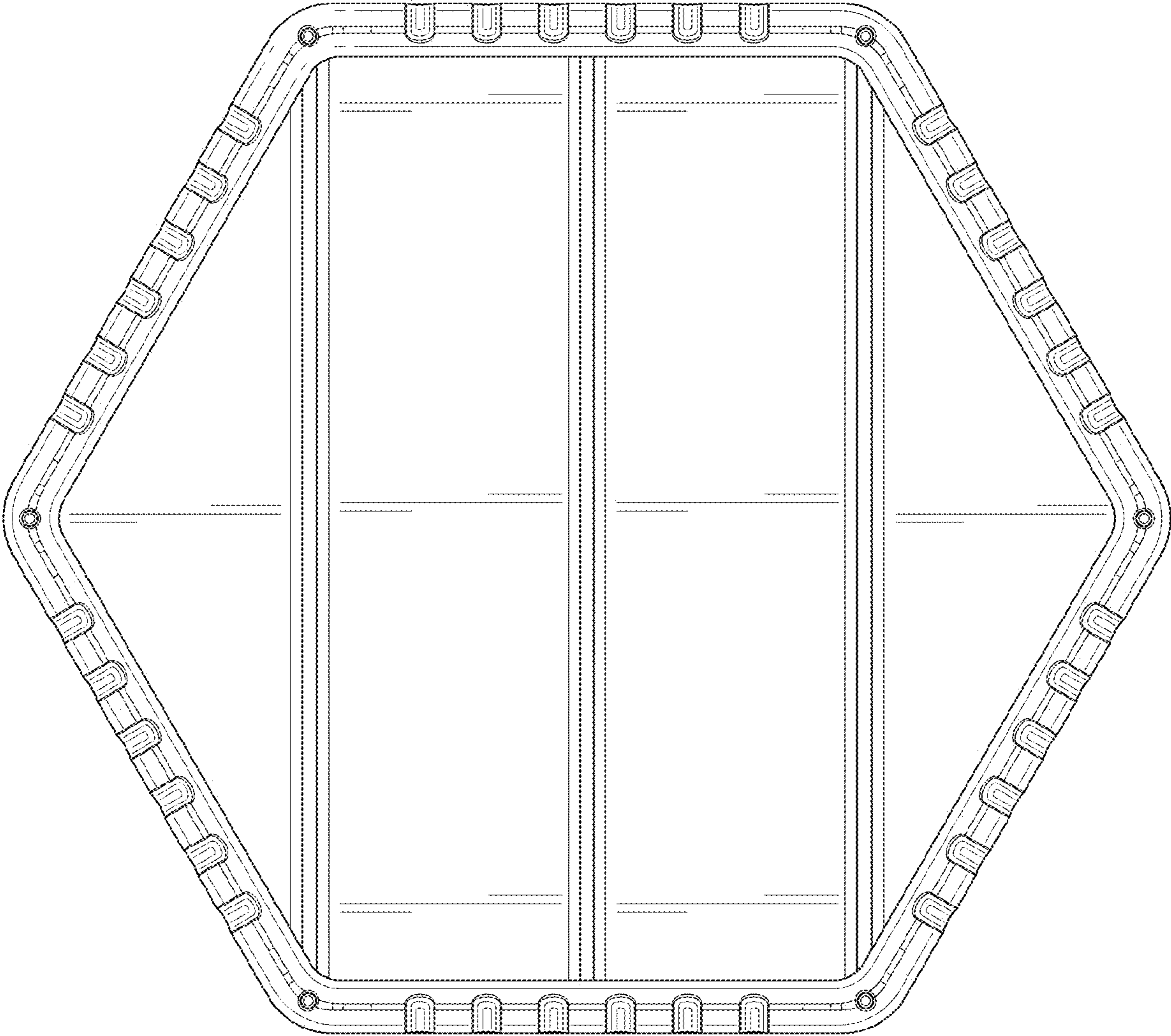


FIG. 21