



US00D884102S

(12) **United States Design Patent**
Noer

(10) **Patent No.:** **US D884,102 S**
(45) **Date of Patent:** **** May 12, 2020**

(54) **STEPLESS MAST EXTENSION FOR WINDSURFING BOARDS**

(71) Applicant: **NOERSTICK.APS**, Thisted (DK)

(72) Inventor: **Finn Noer**, Thisted (DK)

(**) Term: **15 Years**

(21) Appl. No.: **35/505,885**

(22) Filed: **Apr. 16, 2018**

(80) **Hague Agreement Data**

Int. Filing Date: **Apr. 16, 2018**

Int. Reg. No.: **DM/102065**

Int. Reg. Date: **Apr. 16, 2018**

Int. Reg. Pub. Date: **Oct. 19, 2018**

(51) **LOC (12) Cl.** **21-02**

(52) **U.S. Cl.**

USPC **D21/771**

(58) **Field of Classification Search**

USPC D12/300, 303, 317; D8/354, 355, 373, D8/376, 377

CPC B63B 15/0083; B63B 2035/7956; B63B 2035/7986; B63B 2035/7989; B63B 35/7953; B63B 35/7959; B63B 35/7966; B63B 35/7969; B63B 35/7979; B63B 35/7989; B63H 9/0685; B63H 9/08; B63H 2009/0692; B63H 2009/082; B63H 2009/084; B63H 2009/086; B63H 2009/088

See application file for complete search history.

(56) **References Cited**

U.S. PATENT DOCUMENTS

383,594 A * 5/1888 Rushton B63H 9/10 114/98

4,480,570 A * 11/1984 Rosenfield B63H 9/1035 114/104

4,951,588 A * 8/1990 Hillman B63B 15/0083 114/93

5,097,781 A * 3/1992 Meny B63B 15/0083 114/361

5,476,057 A * 12/1995 Pauly B63B 15/0083 114/39.21

2009/0078184 A1 * 3/2009 Orlebeke B63B 15/0083 114/108

2017/0043846 A1 * 2/2017 Elkinton B63B 35/85

2019/0047671 A1 * 2/2019 Malcolm B63H 9/04

2019/0161171 A1 * 5/2019 Enserink B64C 13/30

OTHER PUBLICATIONS

Mathieu Bonno, NoerStick Python Extension Test, Aug. 13, 2018 [retrieved on Jun. 19, 2019], Windsurfjournal.com. Retrieved from the internet: <URL: <https://www.windsurfjournal.com/article,news,test-rallonge-noerstick-python,7117>> (Year: 2018).*

* cited by examiner

Primary Examiner — George D. Kirschbaum

Assistant Examiner — Joseph J Kukella

(57) **CLAIM**

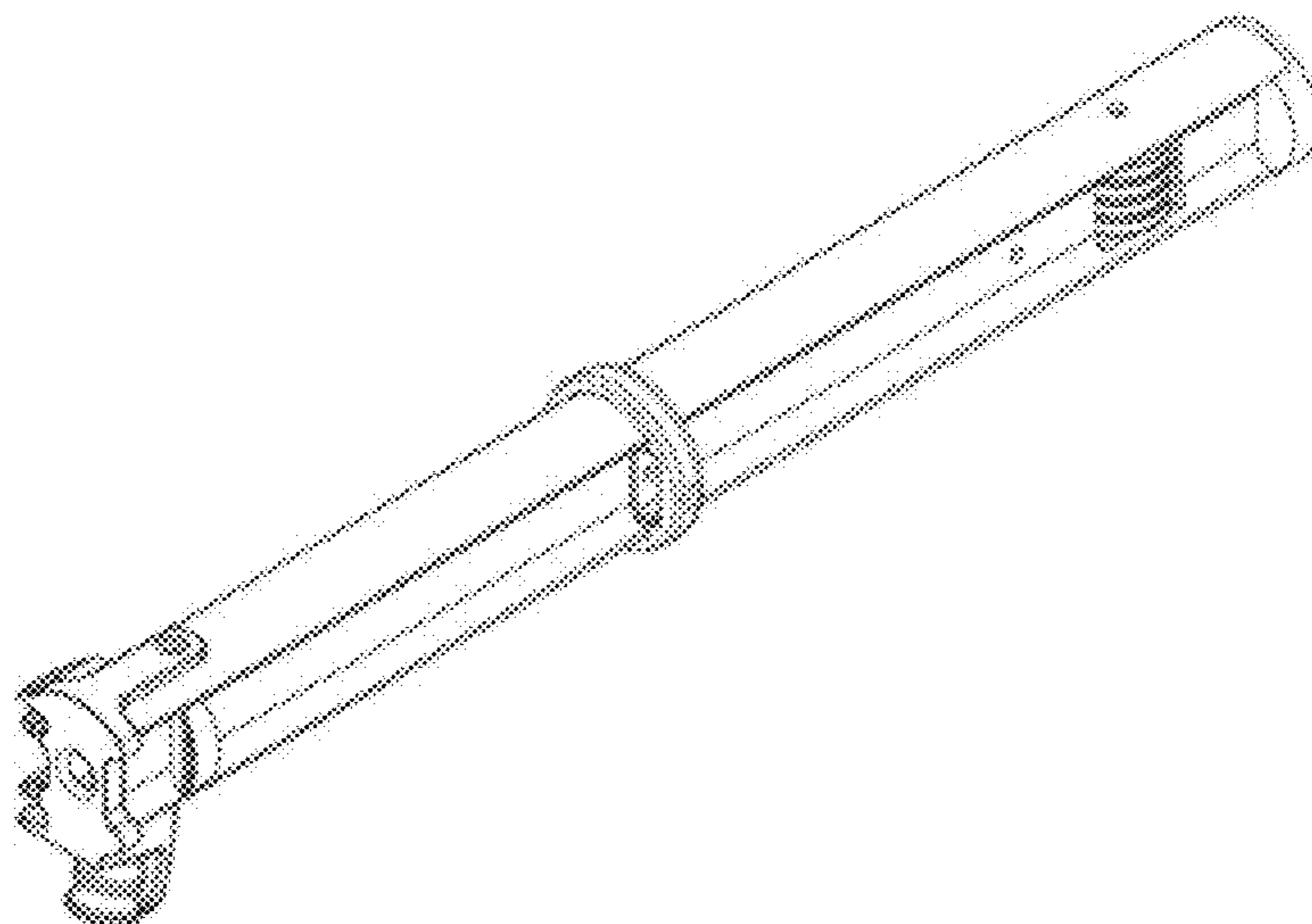
The ornamental design for stepless mast extension for windsurfing boards, as shown and described.

DESCRIPTION

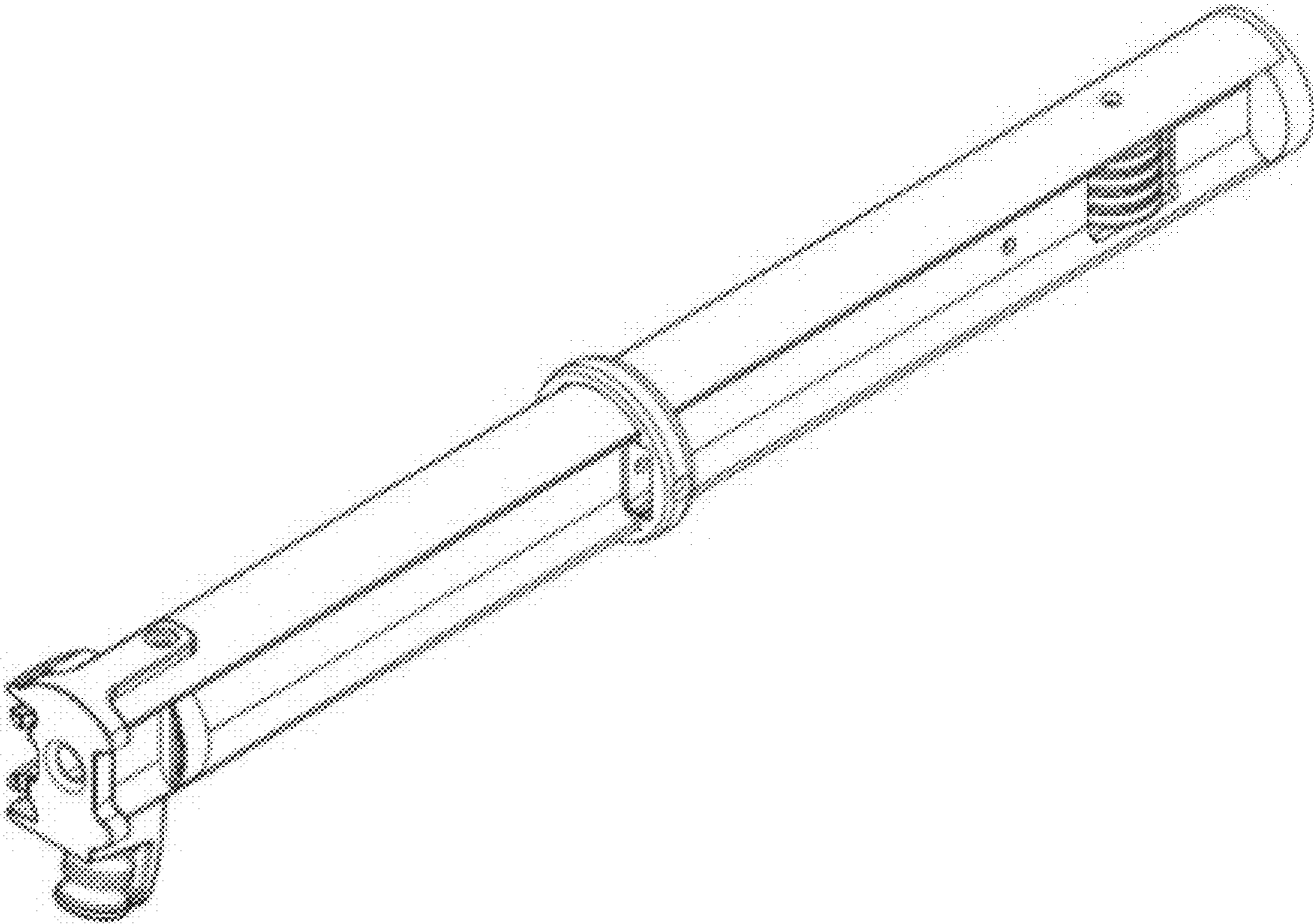
1. Stepless mast extension for windsurfing boards
- 2.-4. Parts of stepless mast extension for windsurfing boards
- 1.1 : Perspective
- 1.2 : Perspective
- 1.3 : Front
- 1.4 : Back
- 1.5 : Left
- 1.6 : Right
- 1.7 : Top
- 1.8 : Bottom

Design 1 is a stepless mast extension for windsurfing boards; the lines in the drawings do not represent decoration of the design.

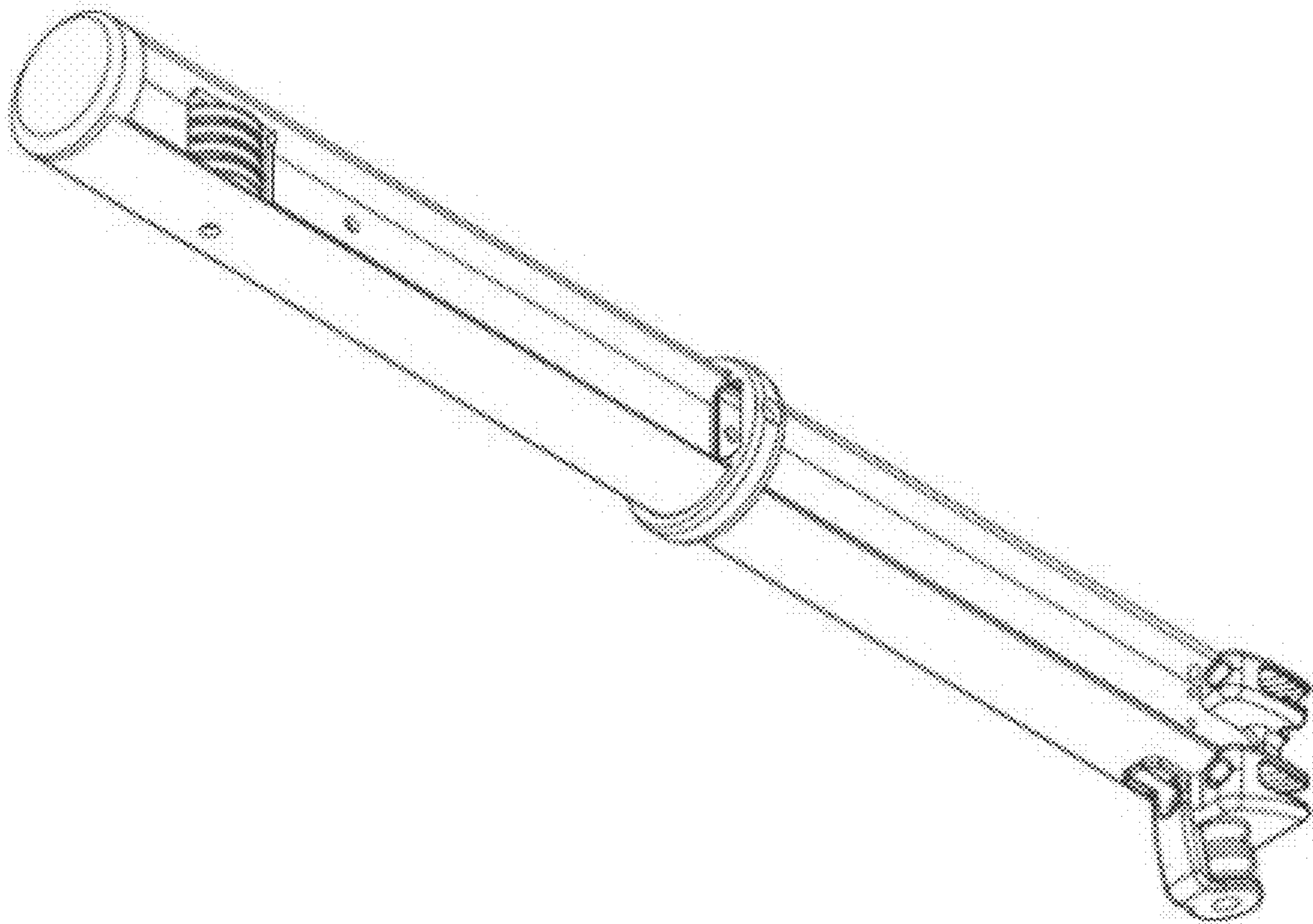
1 Claim, 8 Drawing Sheets



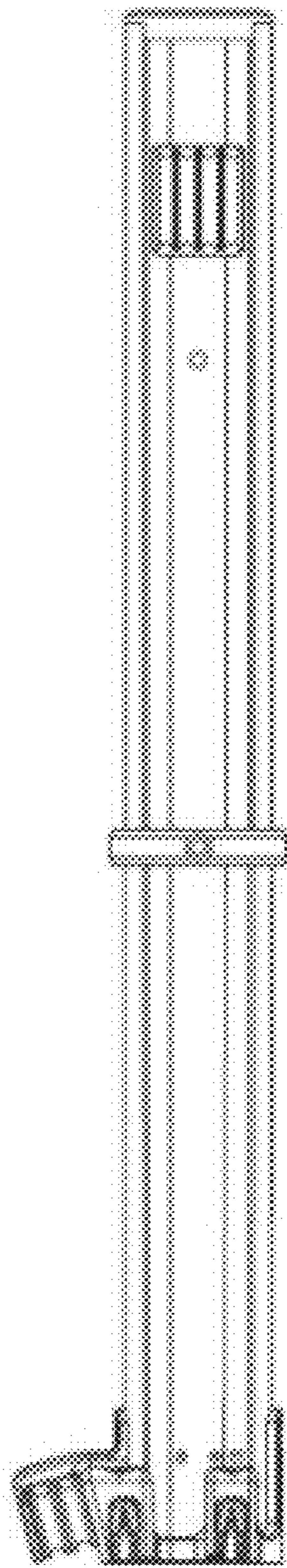
1.1



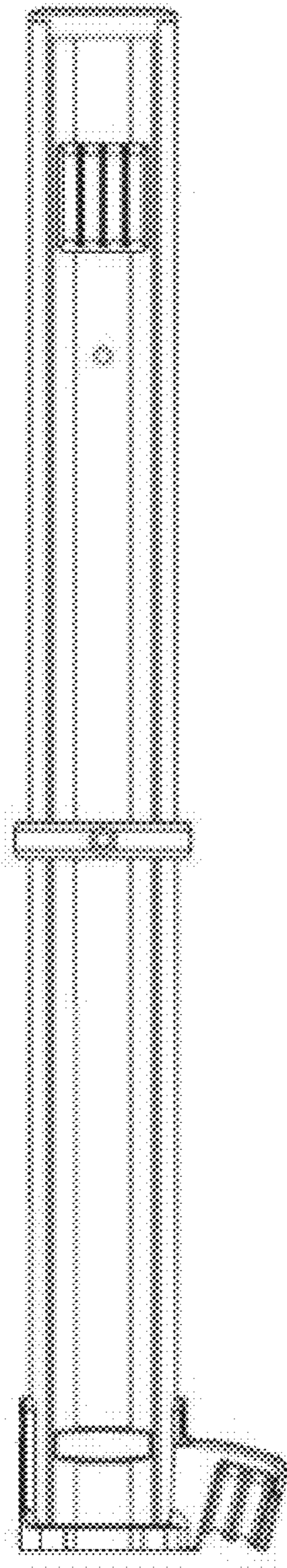
1.2



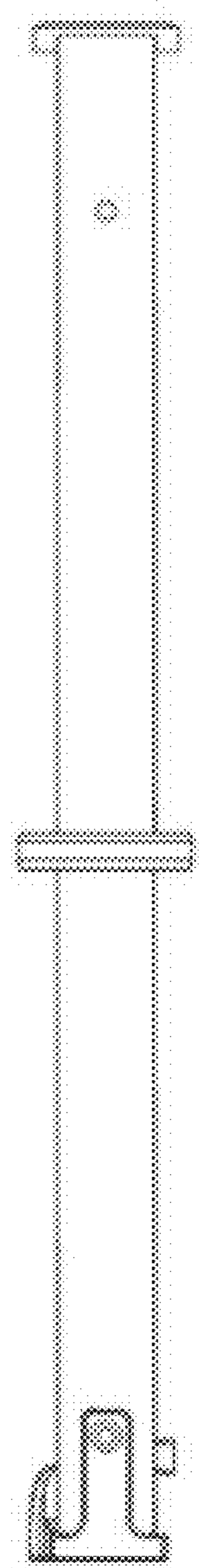
1.3



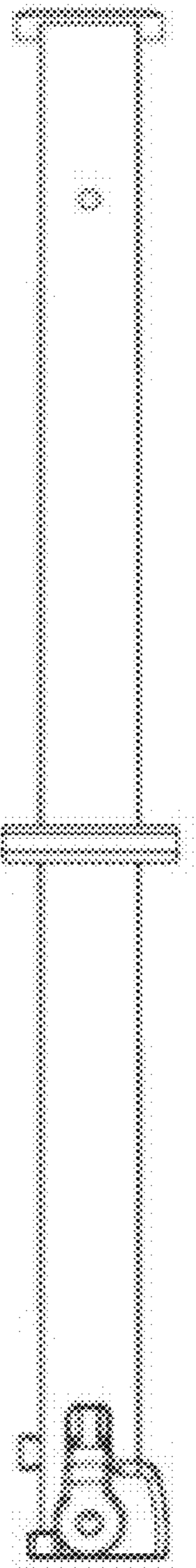
1.4



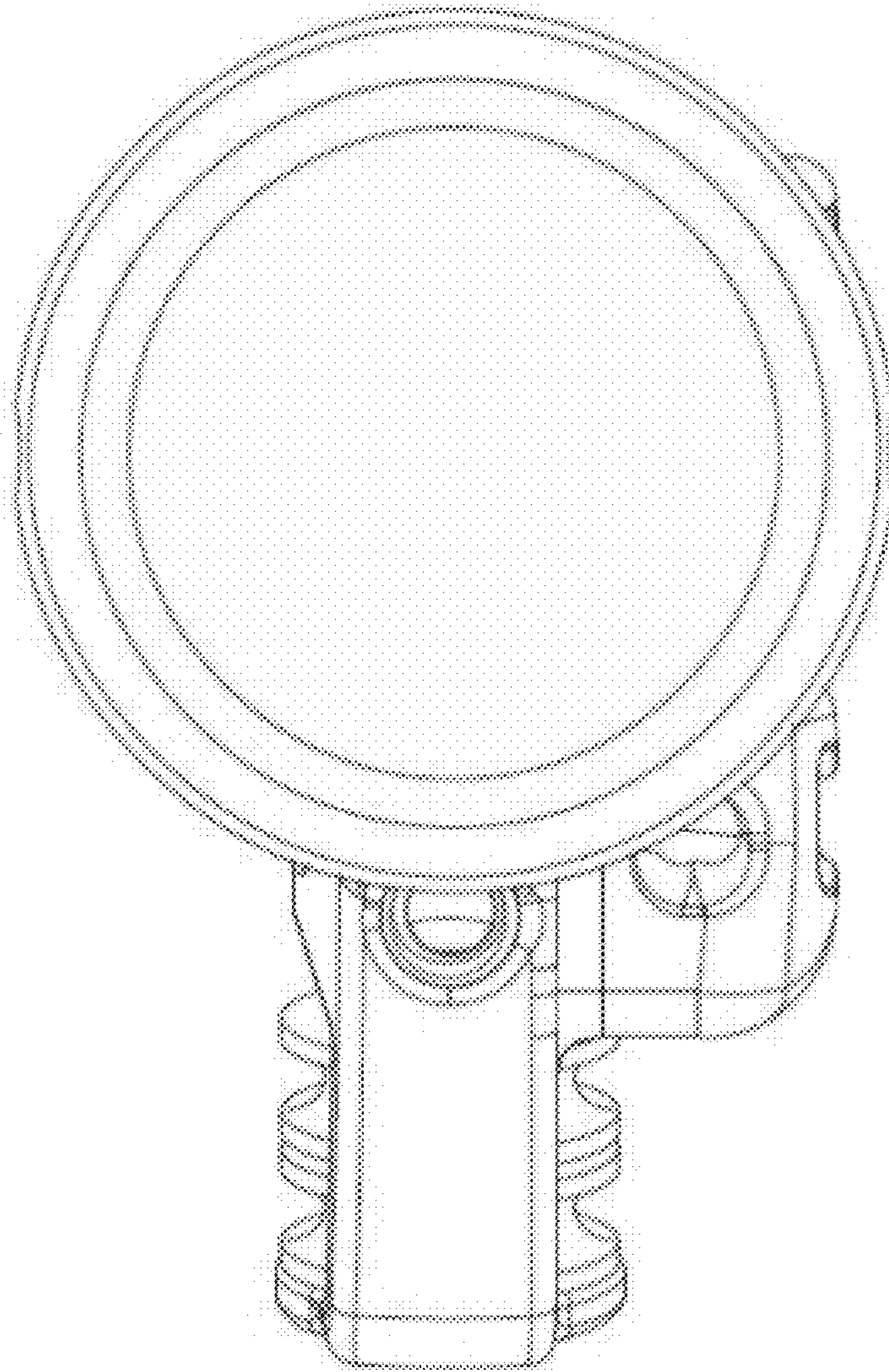
1.5



1.6



1.7



1.8

