



US00D884100S

(12) **United States Design Patent** (10) **Patent No.:** **US D884,100 S**
Kitching, Jr. et al. (45) **Date of Patent:** **** May 12, 2020**

(54) **GOLF CLUB HEAD**

(71) Applicant: **Acushnet Company**, Fairhaven, MA (US)

(72) Inventors: **Joseph F. Kitching, Jr.**, Carlsbad, CA (US); **Gentry Ferguson**, San Marcos, CA (US)

(73) Assignee: **Acushnet Company**, Fairhaven, MA (US)

(**) Term: **15 Years**

(21) Appl. No.: **29/670,187**

(22) Filed: **Nov. 14, 2018**

(51) **LOC (12) Cl.** **21-02**

(52) **U.S. Cl.**
USPC **D21/759**

(58) **Field of Classification Search**
USPC D21/733, 752, 759
CPC A63B 53/00; A63B 53/04; A63B 53/0466;
A63B 2053/002; A63B 2053/0445; A63B
2053/0433; A63B 2053/0491; A63B
2053/0437; A63B 60/00; A63B 60/46
See application file for complete search history.

(56) **References Cited**

U.S. PATENT DOCUMENTS

D606,145 S	*	12/2009	Kim	D21/752
D647,584 S	*	10/2011	Foster	D21/752
D667,907 S	*	9/2012	Engel	D21/752
D667,908 S	*	9/2012	Shimazaki	D21/759
D673,631 S	*	1/2013	Engel	D21/759
D687,110 S	*	7/2013	Engel	D21/759
D707,767 S	*	6/2014	Song	D21/752
D708,686 S	*	7/2014	Day	D21/752
D709,150 S	*	7/2014	Day	D21/752

D713,902 S	*	9/2014	Kono	D21/759
D726,847 S	*	4/2015	Song	D21/752
D726,852 S	*	4/2015	Song	D21/759
D732,124 S	*	6/2015	Trahan	D21/759
D738,976 S	*	9/2015	Kim	D21/759
D756,474 S	*	5/2016	Trahan	D21/759
D796,612 S	*	9/2017	Myers	D21/759
D801,465 S	*	10/2017	Tang	D21/759
D811,503 S	*	2/2018	Bacon	D21/752
D814,582 S	*	4/2018	Bacon	D21/752
D814,583 S	*	4/2018	Stokke	D21/752
D815,223 S	*	4/2018	Stokke	D21/752
D823,958 S	*	7/2018	Stokke	D21/752
D825,013 S	*	8/2018	Milleman	D21/752
D834,118 S	*	11/2018	Song	D21/759
D846,673 S	*	4/2019	Song	D21/752
D867,501 S	*	11/2019	Chun	D21/752
D867,502 S	*	11/2019	Song	D21/752

* cited by examiner

Primary Examiner — Mitchell I. Siegel

(74) *Attorney, Agent, or Firm* — Randy K. Chang

(57) **CLAIM**

The ornamental design for golf club head, as shown and described.

DESCRIPTION

FIG. 1 is a bottom perspective of our new design for a golf club head;

FIG. 2 is a back view thereof;

FIG. 3 is a bottom sole view thereof;

FIG. 4 is a front view thereof;

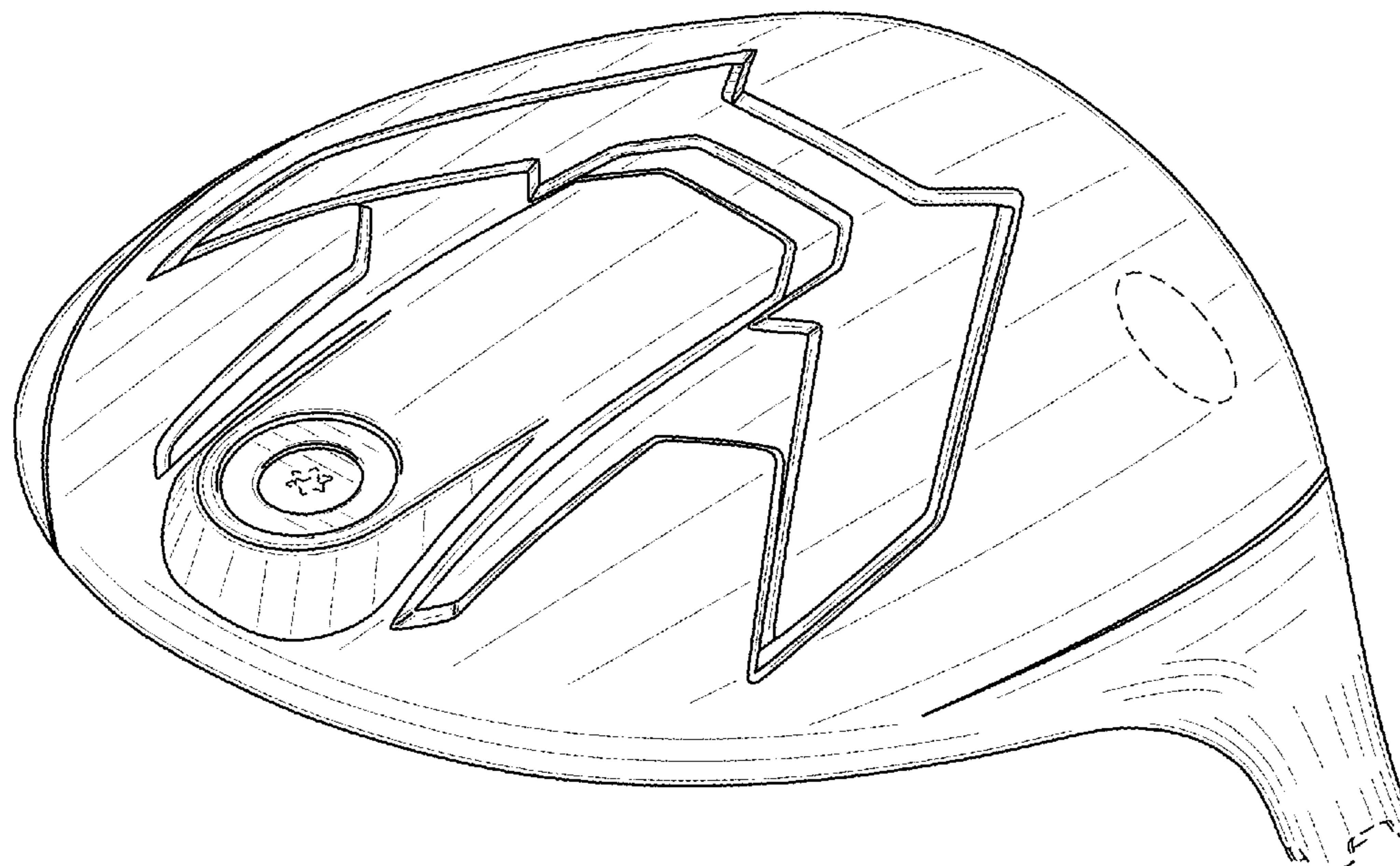
FIG. 5 is a top view thereof;

FIG. 6 is a toe view thereof; and,

FIG. 7 is a heel view thereof.

The broken lines shown on the drawing is included for the purpose of illustrating unclaimed subject matter and forms no part of the claimed design.

1 Claim, 4 Drawing Sheets



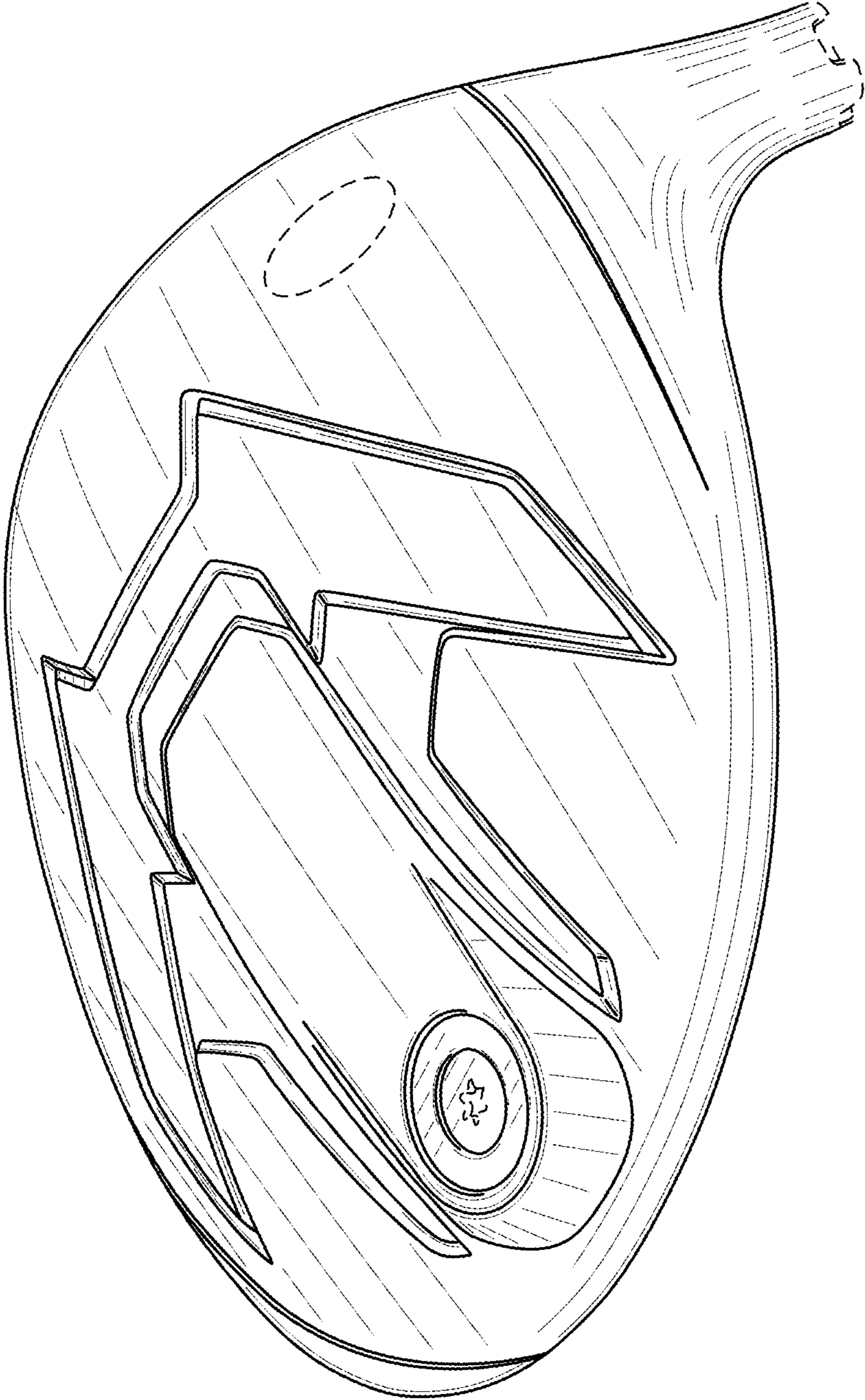


FIG. 1

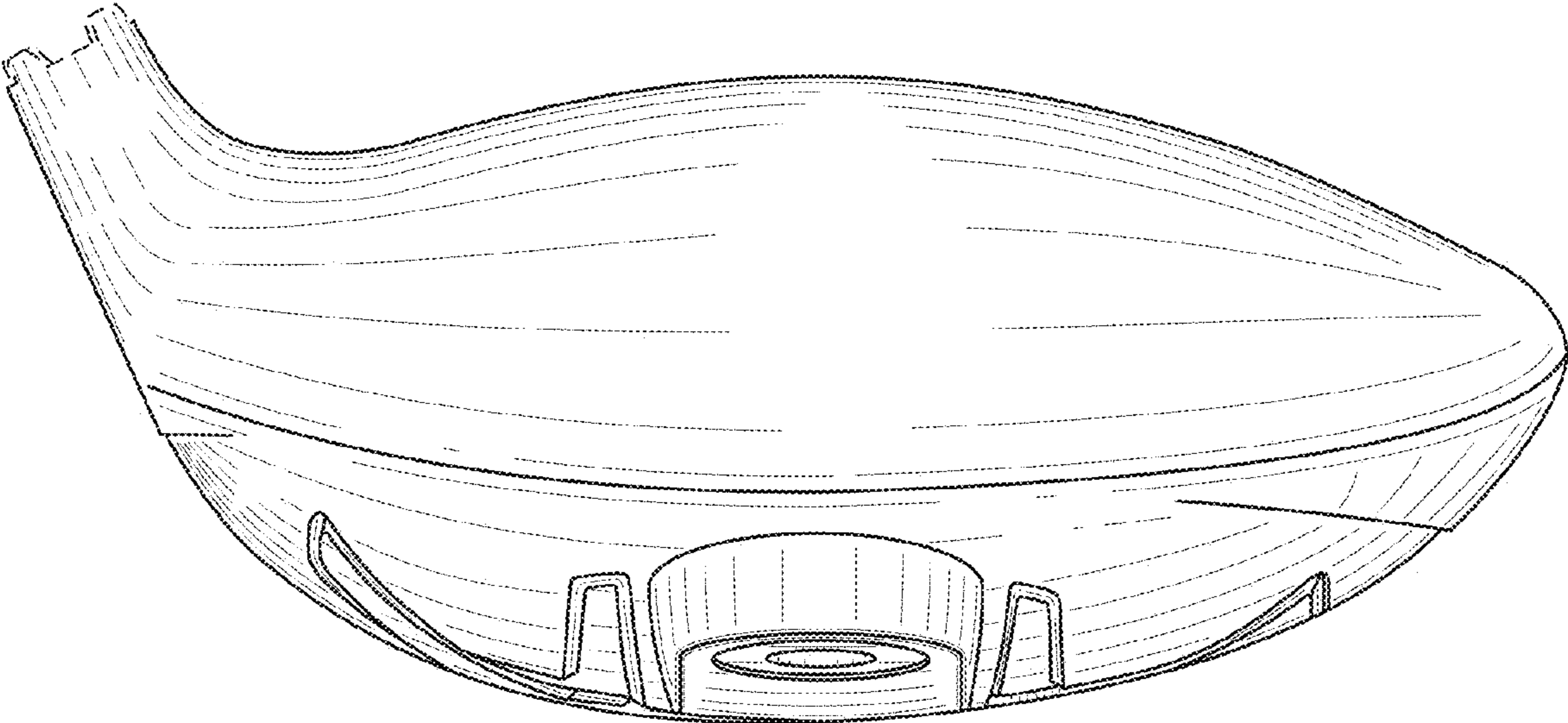


FIG. 2

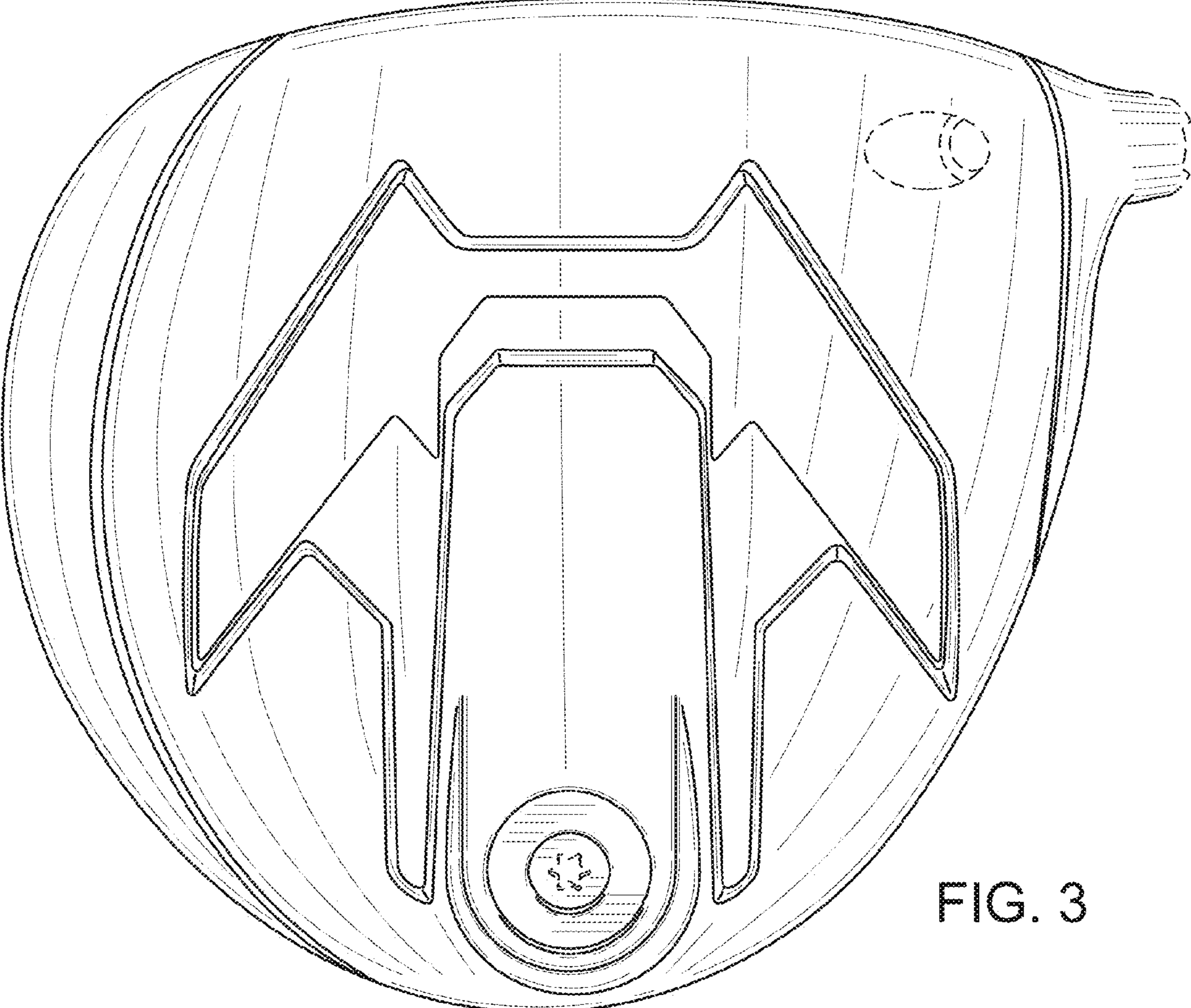


FIG. 3

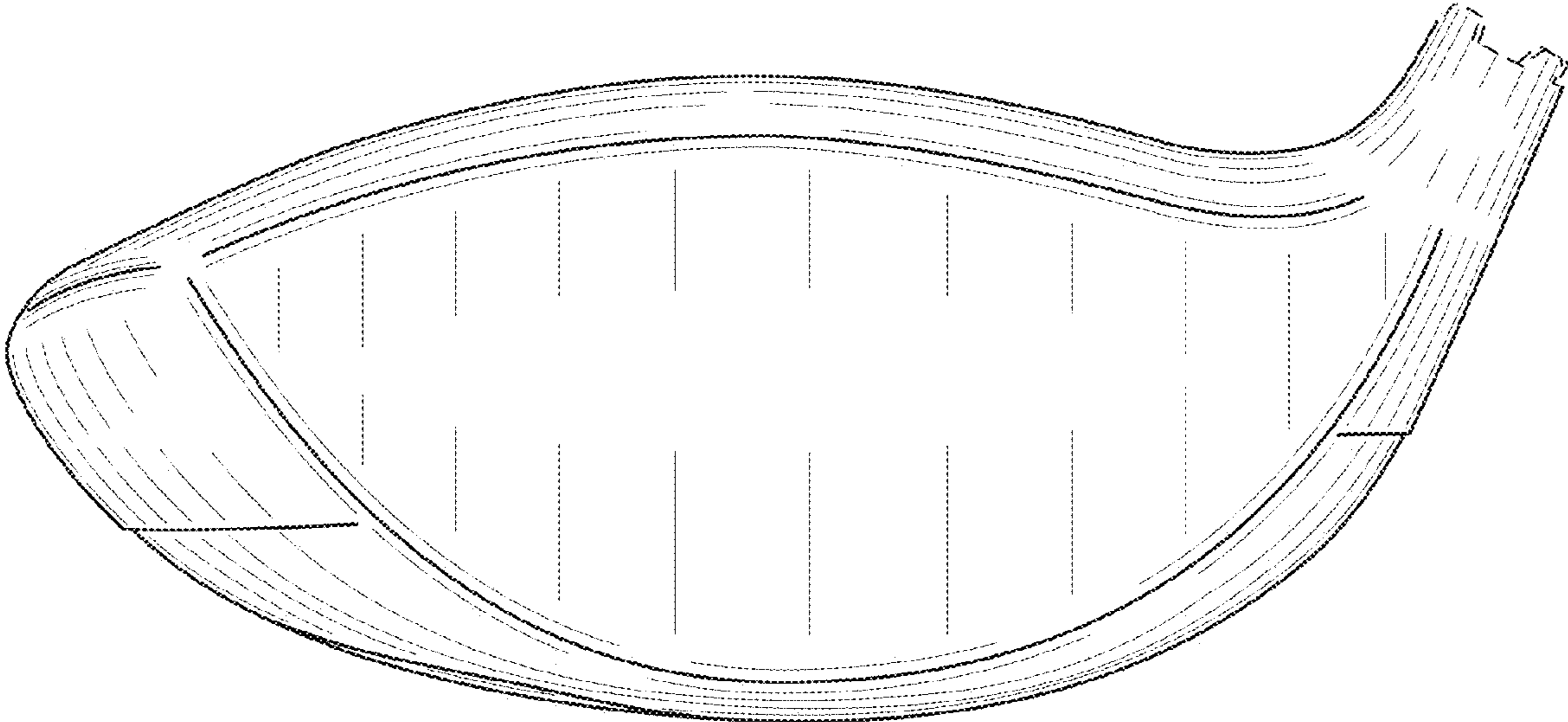


FIG. 4

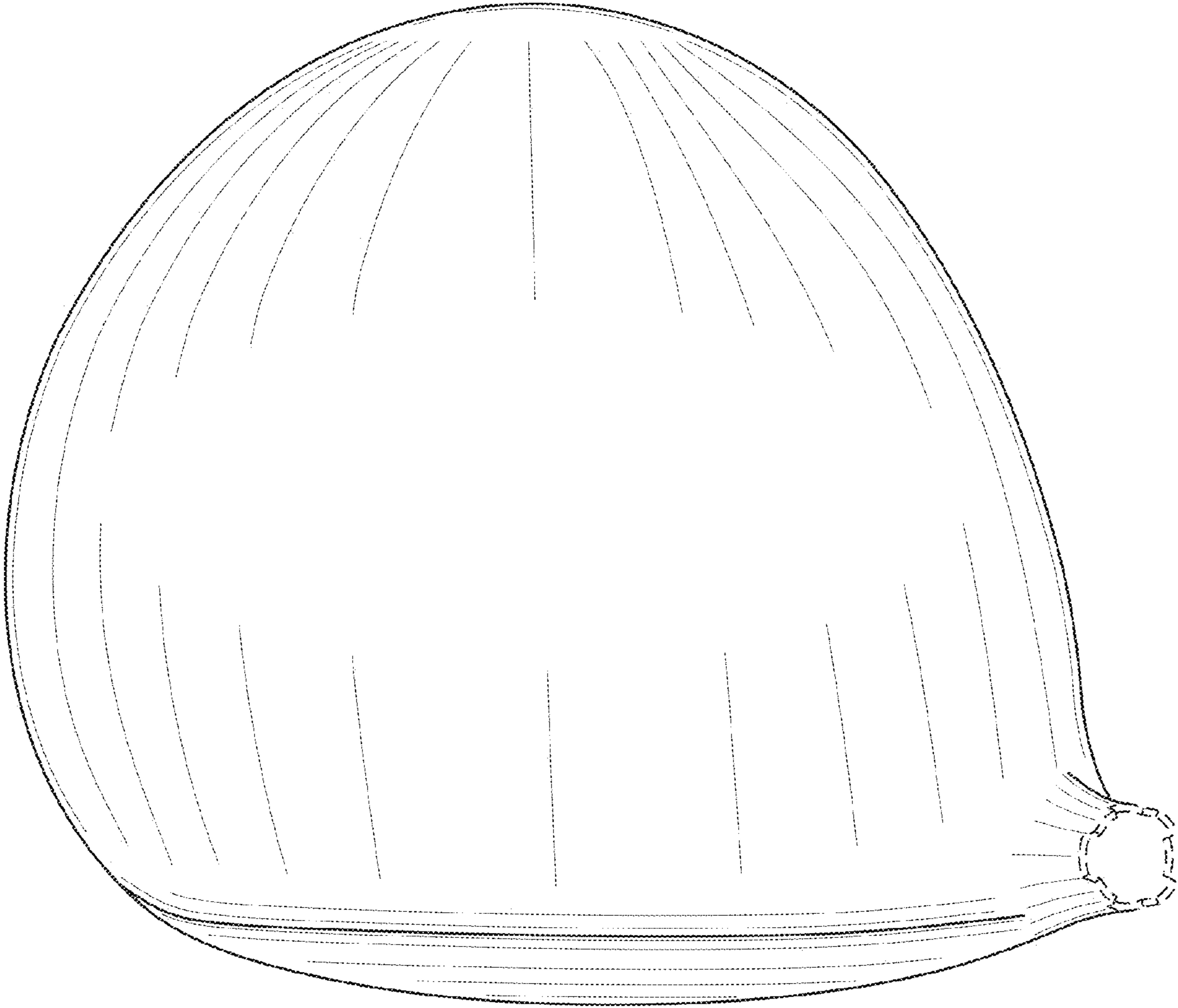


FIG. 5

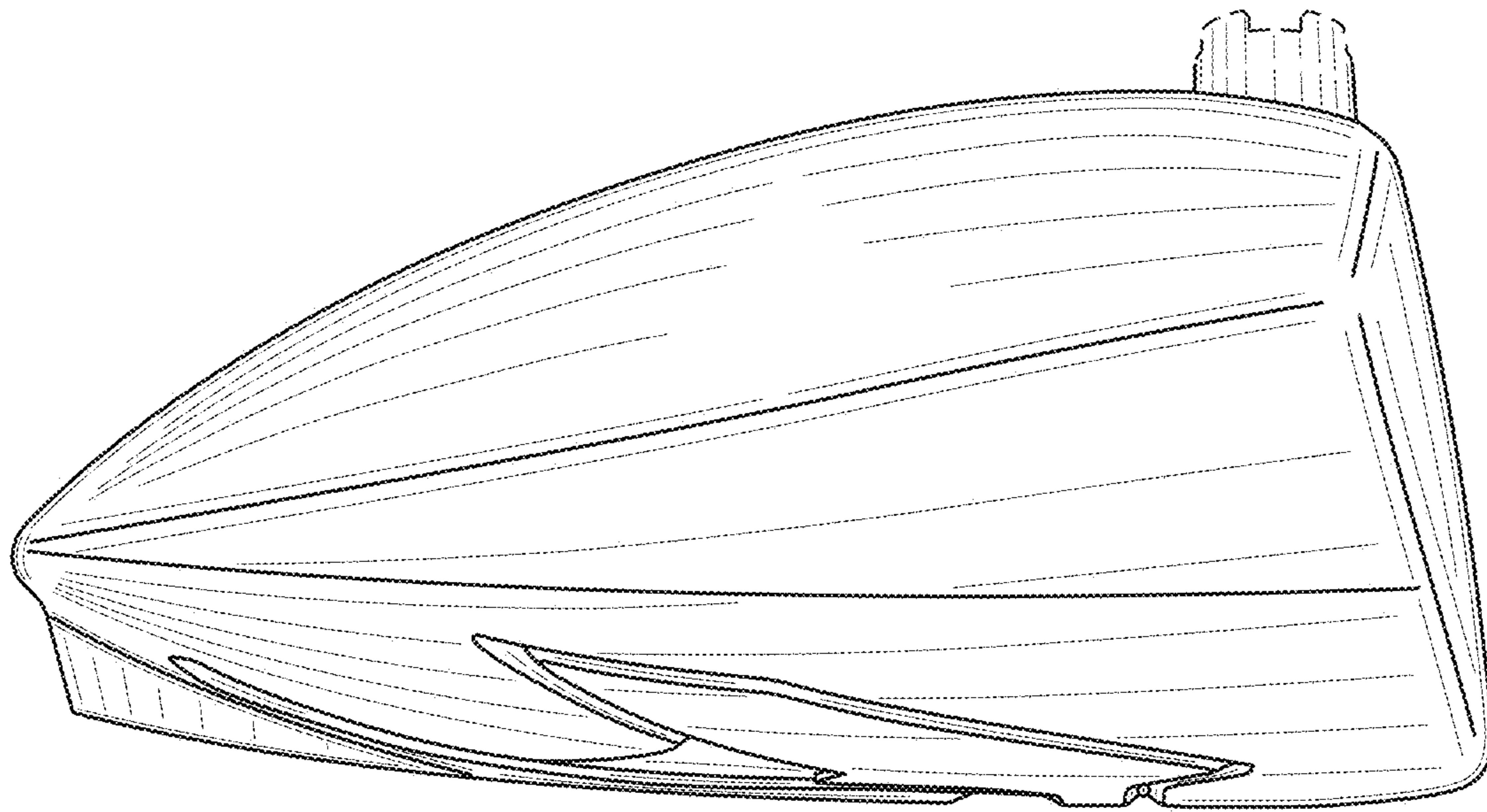


FIG. 6

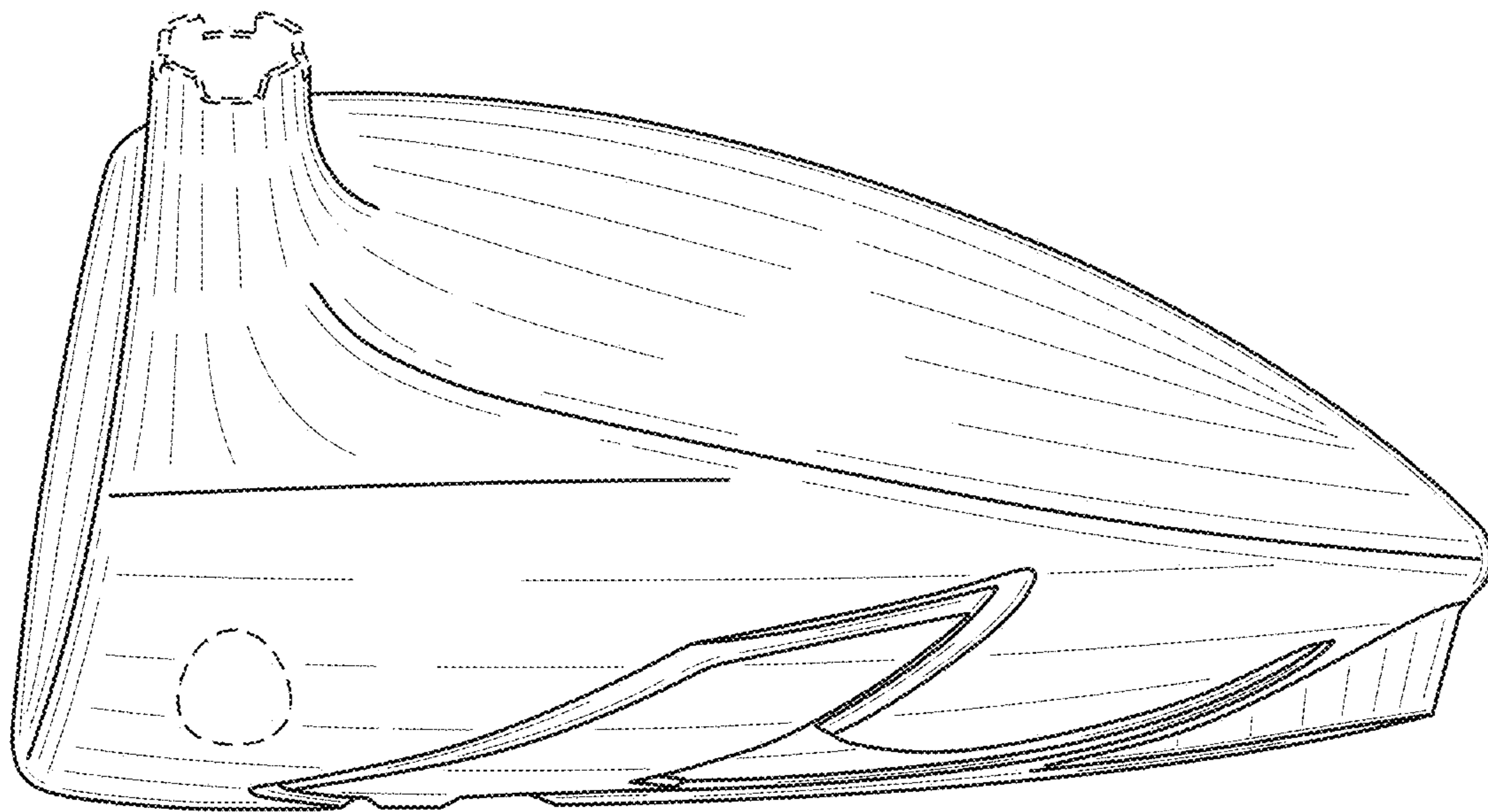


FIG. 7