



US00D884098S

(12) **United States Design Patent** (10) **Patent No.:** **US D884,098 S**  
**Lewis et al.** (45) **Date of Patent:** **\*\* May 12, 2020**

- (54) **GOAL APPARATUS**
- (71) Applicant: **TOCA Football, Inc.**, Costa Mesa, CA (US)
- (72) Inventors: **Edward J. Lewis**, Costa Mesa, CA (US); **Steven Eannarino**, Costa Mesa, CA (US); **Thomas Denison**, Costa Mesa, CA (US)
- (73) Assignee: **TOCA Football, Inc.**, Costa Mesa, CA (US)

(\*\*) Term: **15 Years**

- (21) Appl. No.: **29/663,886**
- (22) Filed: **Sep. 19, 2018**
- (51) **LOC (12) Cl.** ..... **21-02**
- (52) **U.S. Cl.**  
USPC ..... **D21/705**; D21/699
- (58) **Field of Classification Search**  
USPC ..... D21/302, 303, 305, 699-705, 790, 780, D21/781, 788  
CPC ..... A63B 63/00-083; A63B 2063/001; A63B 2063/002; A63B 2063/005; A63B 2063/006; A63B 2063/065; A63B 2063/086; A63B 71/0622; A63B 2220/833; A63B 69/00; A63B 69/0002; A63B 69/002; A63B 69/0097; A63B 71/00; A63B 71/02; A63B 71/022; A63B 71/023  
See application file for complete search history.

(56) **References Cited**

**U.S. PATENT DOCUMENTS**

- D251,864 S \* 5/1979 DiAmico ..... D21/705
- 5,205,564 A \* 4/1993 Lamberti ..... A63B 63/004  
273/400
- 5,830,089 A \* 11/1998 Halter ..... A63B 63/004  
473/478
- D420,083 S \* 2/2000 Muto ..... D21/790

- D842,949 S \* 3/2019 Shaughnessy ..... D21/705
- 2004/0239915 A1 \* 12/2004 Anderson ..... A63B 69/0002  
356/28
- 2005/0054464 A1 \* 3/2005 Bryant, Jr. .... A63B 63/004  
473/478
- 2005/0137035 A1 \* 6/2005 Huang ..... A63B 69/0002  
473/454
- 2008/0020870 A1 \* 1/2008 Tien ..... A63B 63/00  
473/454
- 2009/0209372 A1 \* 8/2009 Rigoli ..... A63B 71/022  
473/435
- 2012/0157239 A1 \* 6/2012 Elpers ..... A63B 63/00  
473/416

(Continued)

**FOREIGN PATENT DOCUMENTS**

- CA 2916082 A1 \* 12/2014 ..... A63B 69/0002
- DE 832266 C \* 2/1952 ..... A63B 63/004

(Continued)

*Primary Examiner* — Catherine A Tuttle  
(74) *Attorney, Agent, or Firm* — Rutan & Tucker LLP;  
Kyle St. James; Hani Z. Sayed

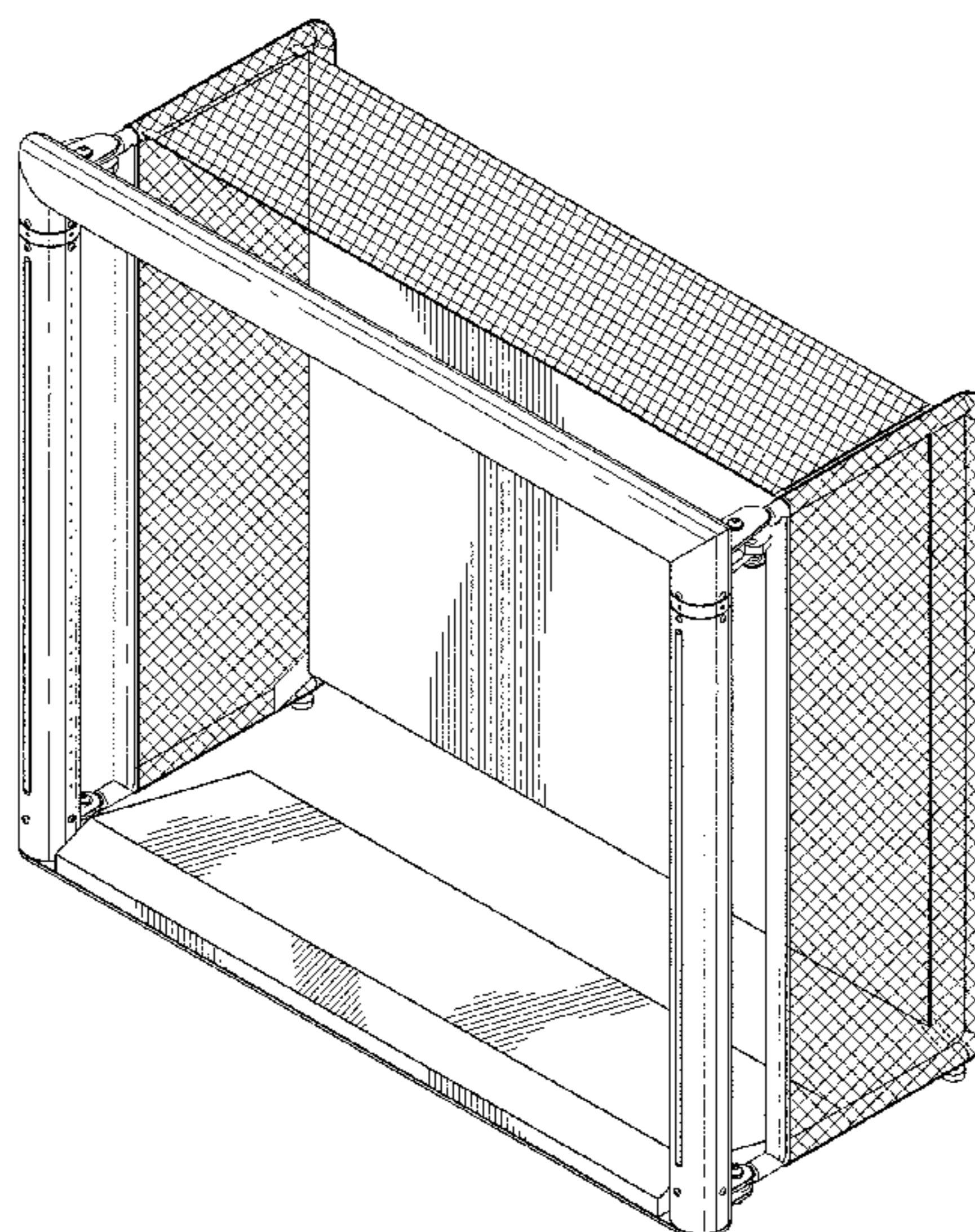
(57) **CLAIM**

We claim the ornamental design for a goal apparatus, substantially as shown and described.

**DESCRIPTION**

FIG. 1 is a top front perspective of a goal apparatus showing our new design;  
FIG. 2 is a front view thereof;  
FIG. 3 is a rear view thereof;  
FIG. 4 is a left side view thereof;  
FIG. 5 is a right side view thereof;  
FIG. 6 is a top view thereof; and,  
FIG. 7 is a bottom view thereof.  
The broken lines depict details that form no part of the claimed design.

**1 Claim, 6 Drawing Sheets**



(56)

**References Cited**

U.S. PATENT DOCUMENTS

2012/0283046 A1\* 11/2012 Yamanashi ..... A63B 63/00  
473/432  
2012/0329580 A1\* 12/2012 Weitzner ..... A63F 13/06  
473/415  
2013/0157787 A1\* 6/2013 Green ..... A63B 63/00  
473/455  
2015/0297969 A1\* 10/2015 Flis ..... A63B 69/0097  
473/435  
2016/0263455 A1\* 9/2016 Holland ..... A63B 63/004

FOREIGN PATENT DOCUMENTS

DE 29902196 U1 \* 10/1999 ..... A63B 71/06  
WO WO-2010003159 A1 \* 1/2010 ..... A63B 63/004  
WO WO-2012034159 A1 \* 3/2012 ..... A63B 57/0006  
WO WO-2012045966 A1 \* 4/2012 ..... A63B 69/0097  
WO WO-2018115562 A1 \* 6/2018 ..... A63B 63/00

\* cited by examiner

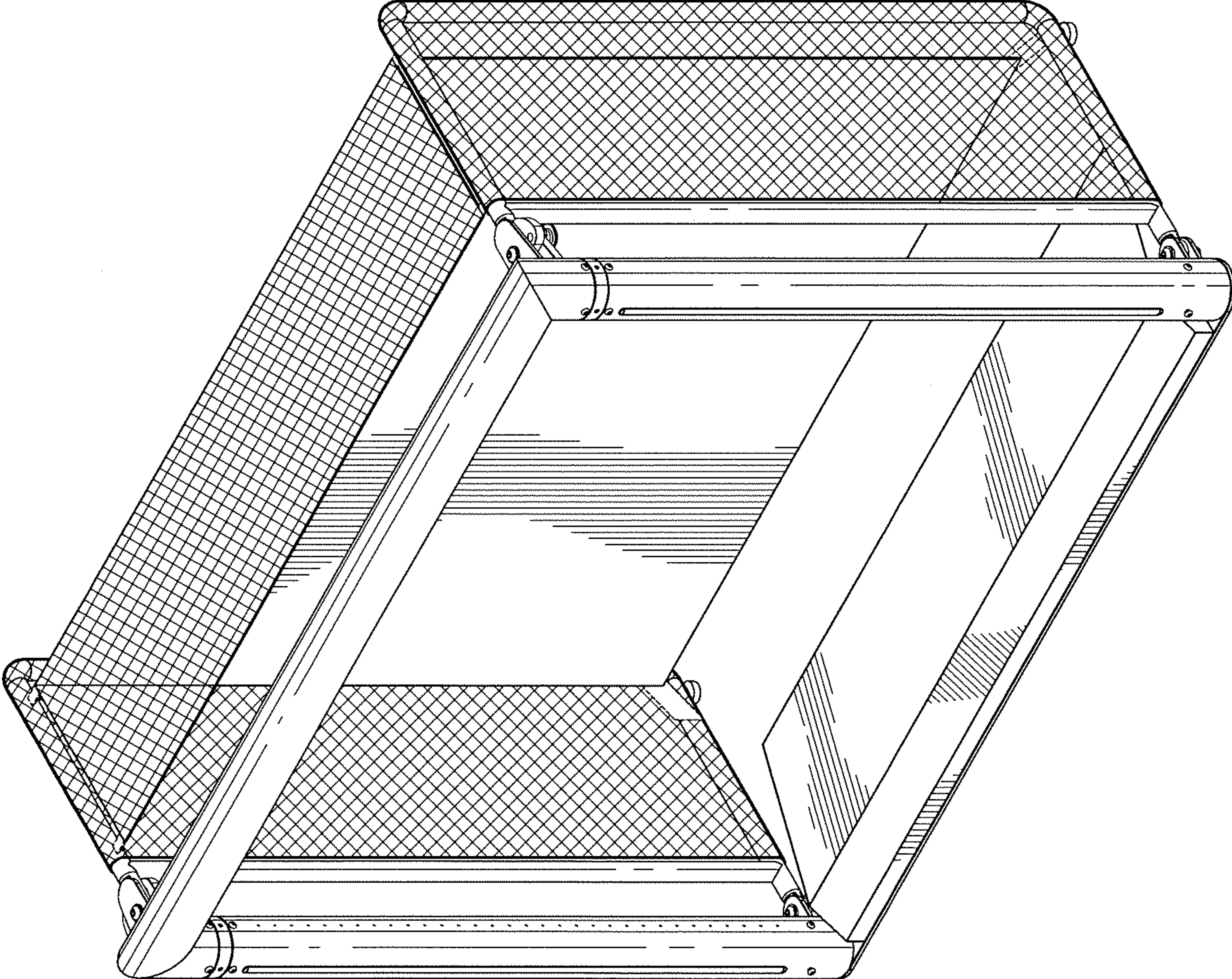


FIG. 1

FIG. 2

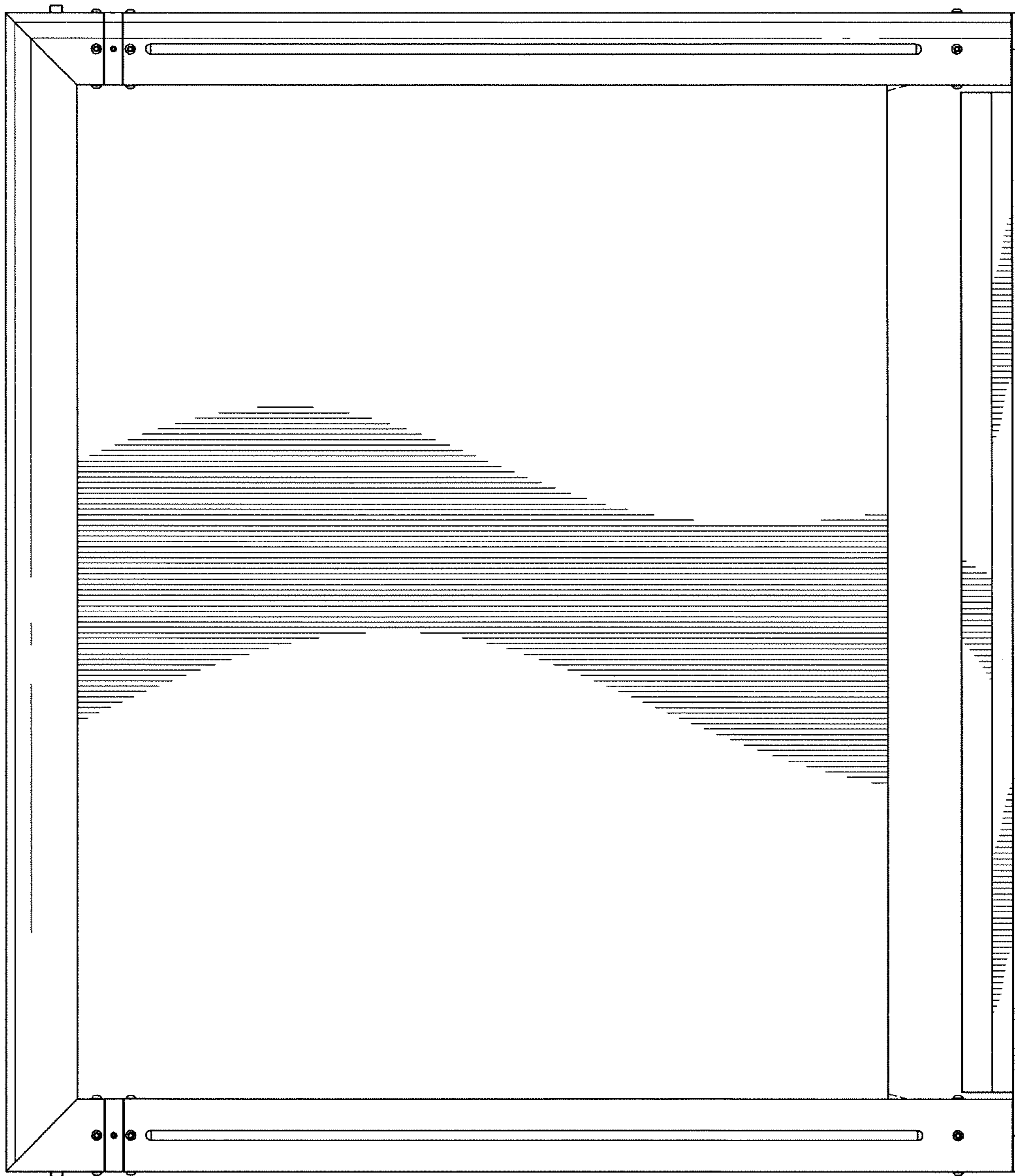
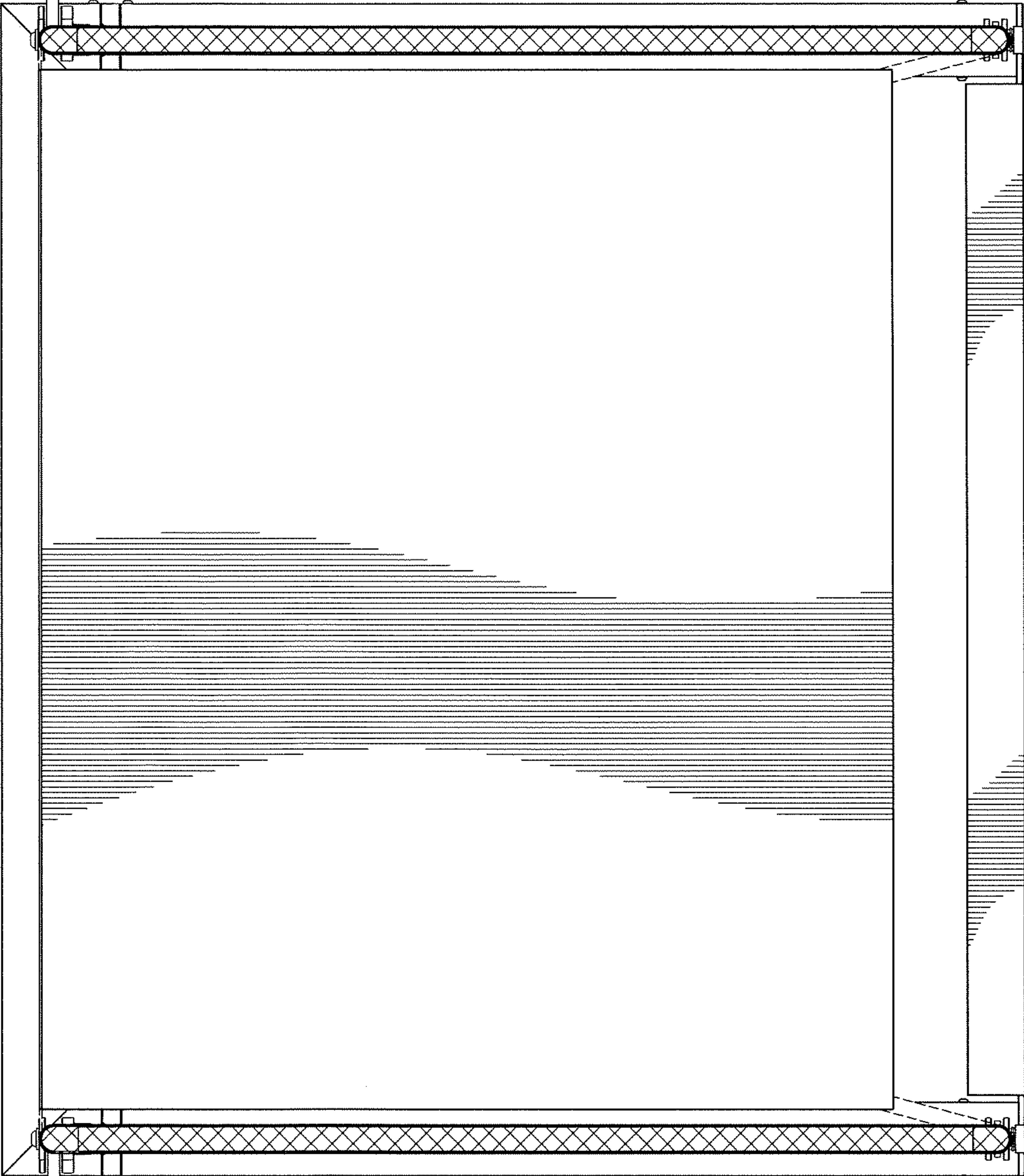


FIG. 3



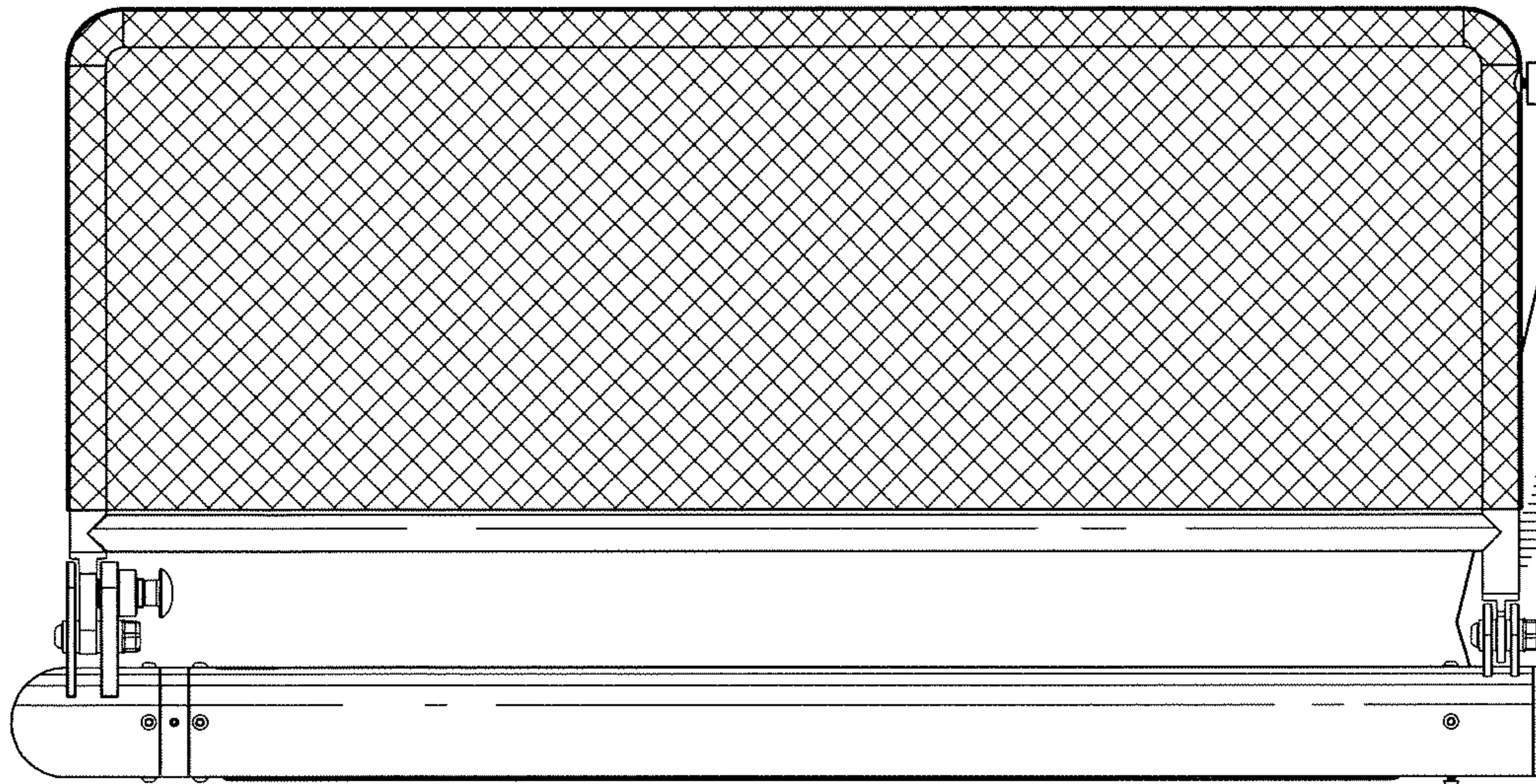


FIG. 5

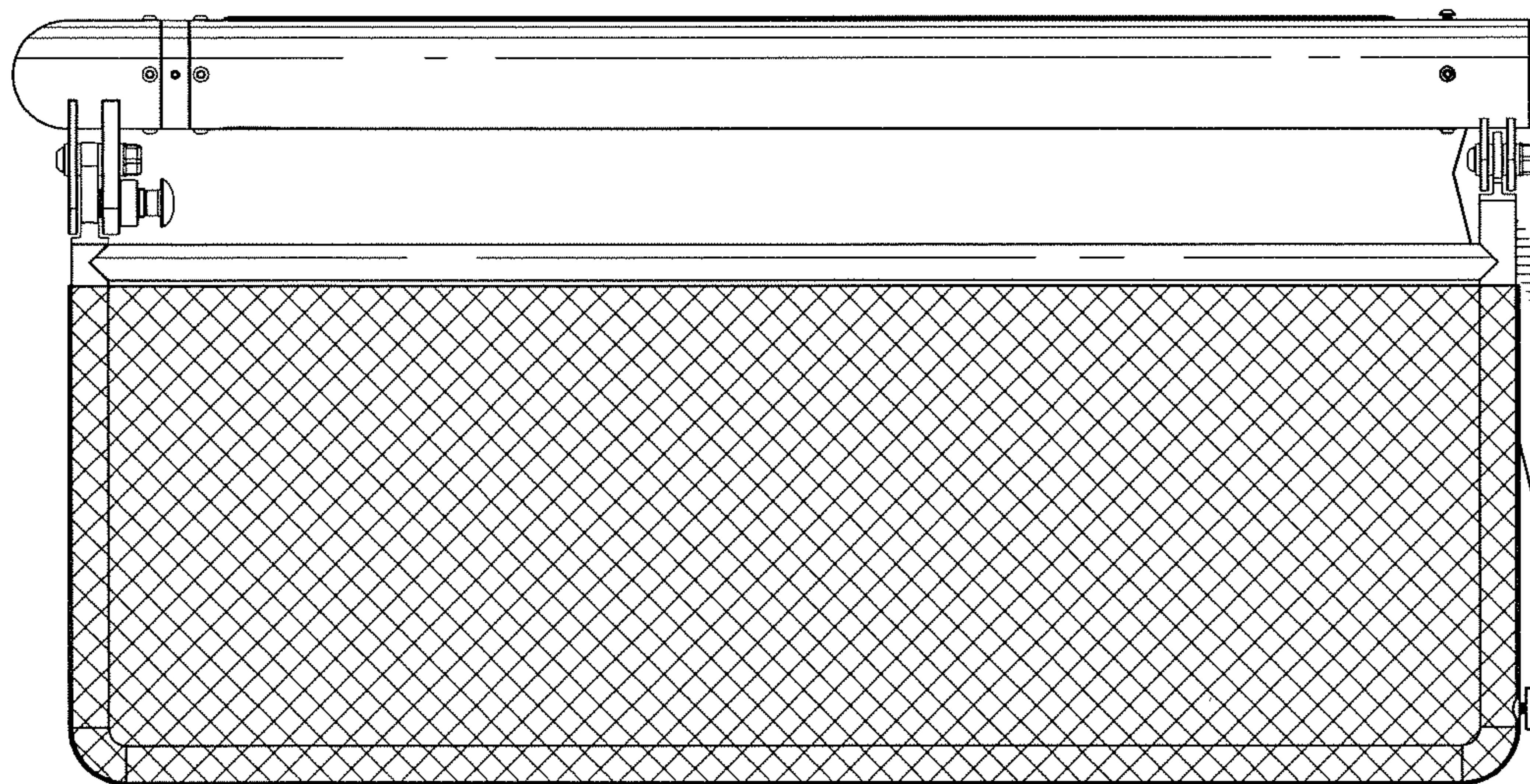


FIG. 4

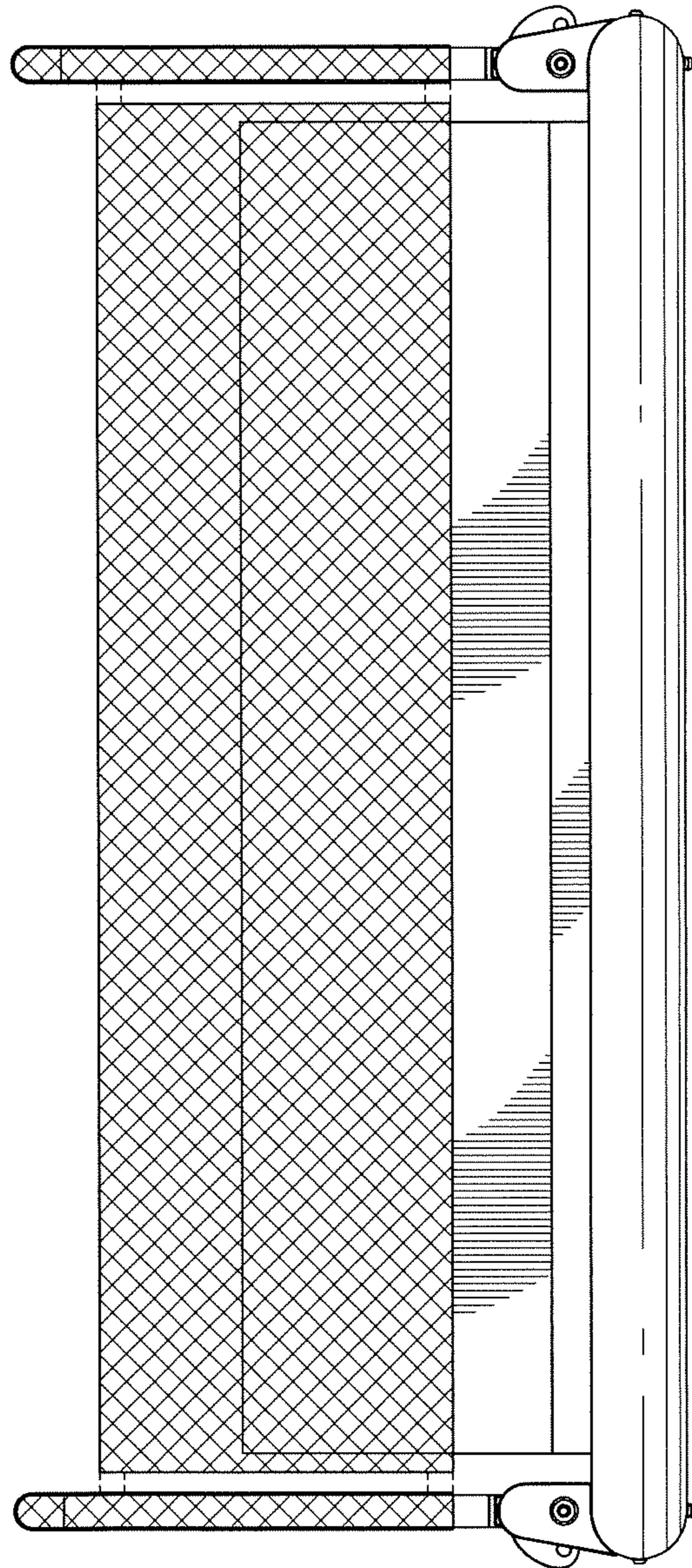


FIG. 6

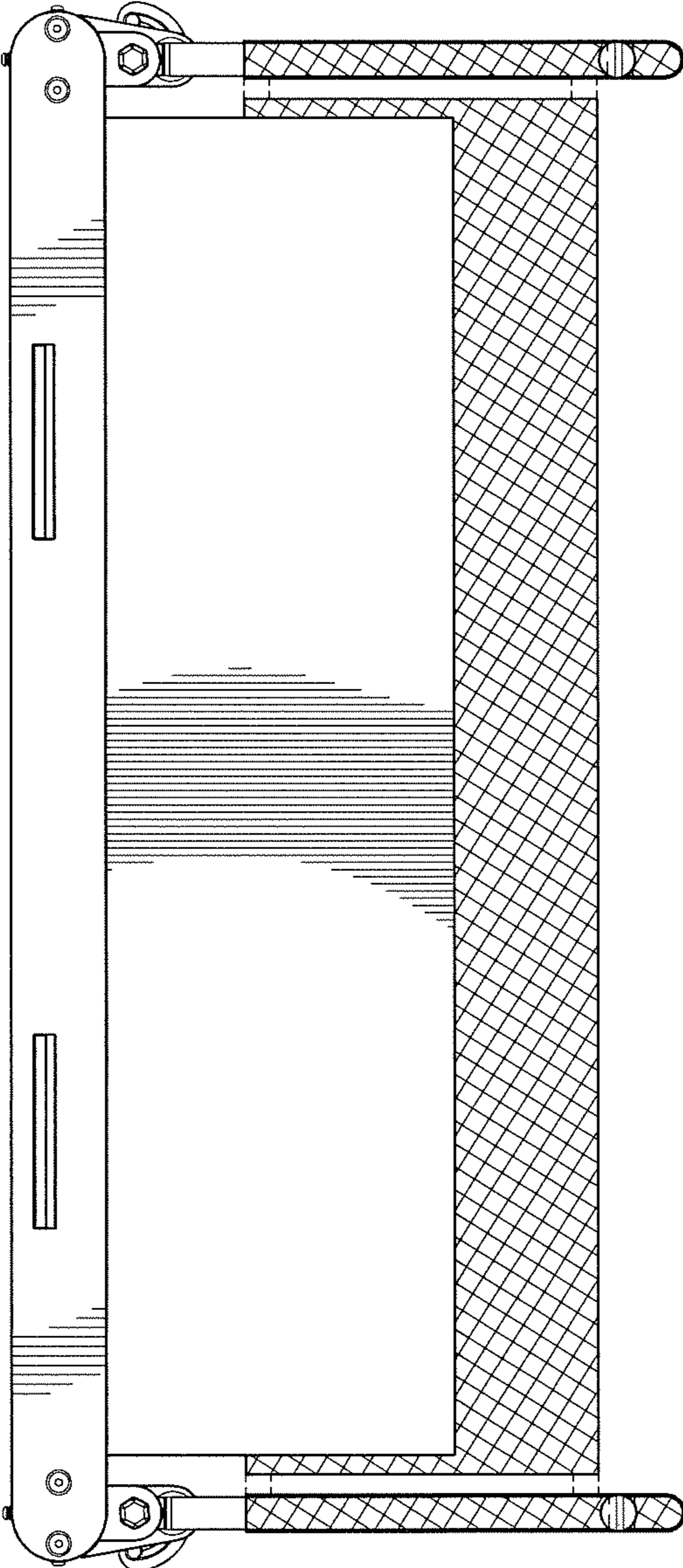


FIG. 7