



US00D884097S

(12) **United States Design Patent** (10) **Patent No.:** **US D884,097 S**  
**Ameri et al.** (45) **Date of Patent:** **\*\* May 12, 2020**

- (54) **WEIGHT STORAGE PIN**
- (71) Applicant: **Coulter Ventures LLC**, Columbus, OH (US)
- (72) Inventors: **Anahita Ameri**, Columbus, OH (US); **Emmanuel Sergakis**, Plain City, OH (US); **Nicolas Garcia**, Mt. Vernon, OH (US); **Ahmik Jones**, Upper Arlington, OH (US); **Bill Henniger**, Columbus, OH (US)
- (73) Assignee: **Coulter Ventures, LLC.**, Columbus, OH (US)
- (\*\*) Term: **15 Years**
- (21) Appl. No.: **29/655,162**
- (22) Filed: **Jun. 29, 2018**
- (51) **LOC (12) Cl.** ..... **21-02**
- (52) **U.S. Cl.**  
USPC ..... **D21/694**
- (58) **Field of Classification Search**  
USPC ..... D21/662, 671, 673, 679, 681, 682, 691, D21/692; D8/83, 107, 300, 303, 310, D8/311, 321; D12/114; 482/99  
CPC ... A63B 21/026; A63B 43/02; A63B 21/0724; A63B 1/00  
See application file for complete search history.

- 6,551,223 B2 \* 4/2003 Cheng ..... A63B 21/063 482/99
  - D519,315 S \* 4/2006 Coudurier ..... D8/300
  - D550,791 S 9/2007 Rogers et al.
  - D550,792 S 9/2007 Rogers et al.
  - 7,316,638 B1 \* 1/2008 Fabela ..... A63B 21/063 482/93
  - D579,990 S \* 11/2008 Dalcourt ..... D21/662
- (Continued)

**OTHER PUBLICATIONS**

Product listing for Rogue Monster Plate Storage Pin from <https://web.archive.org/web/20170423182638/http://www.roguefitness.com/rogue-monster-plate-storage-pin>, dated Apr. 23, 2017.

(Continued)

*Primary Examiner* — Cynthia Ramirez

*Assistant Examiner* — Michael A Maharajh

(74) *Attorney, Agent, or Firm* — Banner & Whitcoff, Ltd.

(57) **CLAIM**

The ornamental design for a weight storage pin, as shown and described.

**DESCRIPTION**

FIG. 1 is a top, front, right perspective view of a weight storage pin showing our new design; FIG. 2 is a bottom, rear, right perspective view thereof; FIG. 3 is a top, rear, left perspective view thereof; FIG. 4 is a right side view thereof; FIG. 5 is a left side view thereof; FIG. 6 is a front view thereof; FIG. 7 is a rear view thereof; FIG. 8 is a top view thereof; and, FIG. 9 is a bottom view thereof.

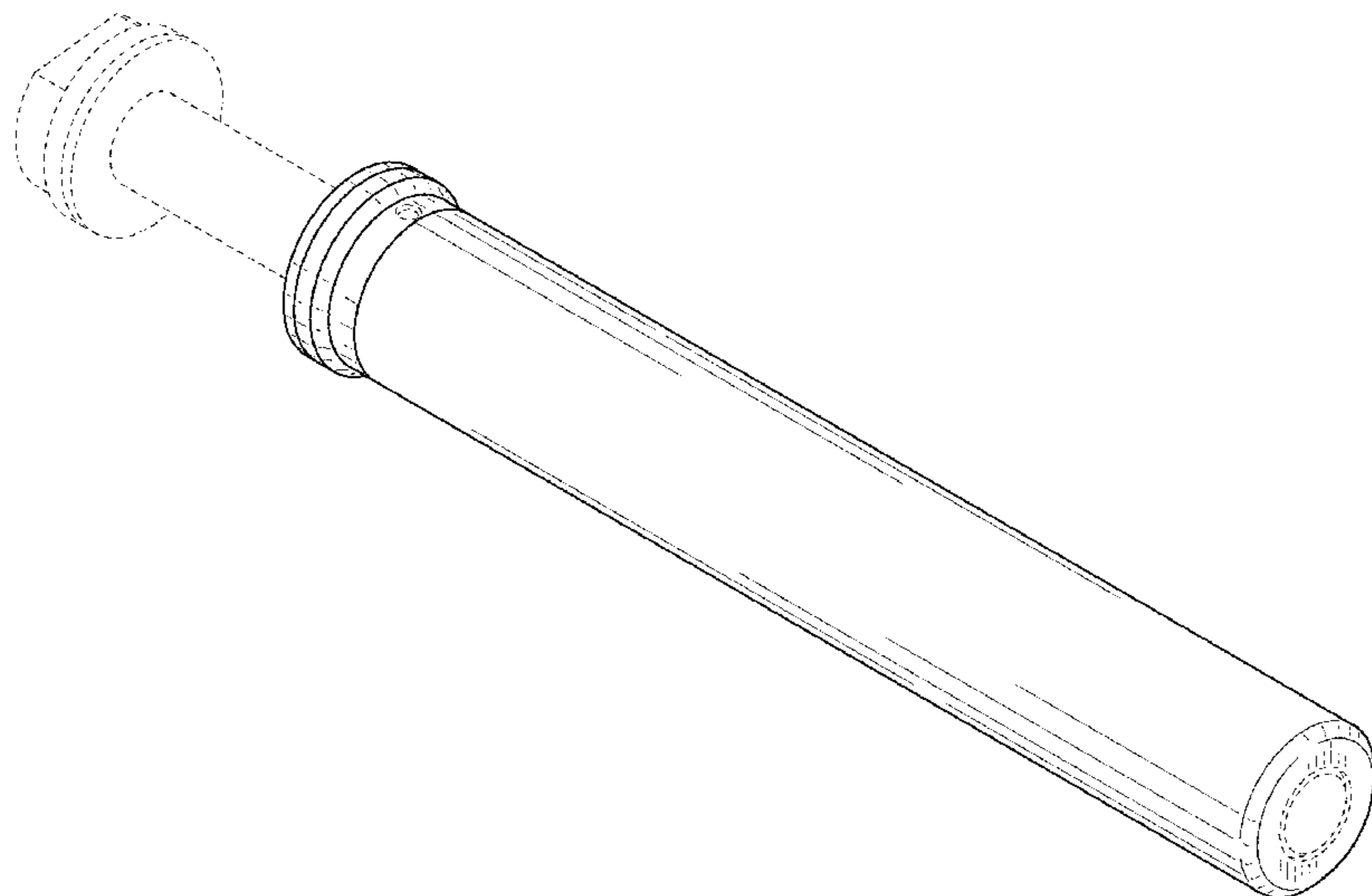
The broken lines shown in the drawings are for the purpose of illustrating portions of the weight storage pin, which form no part of the claimed design.

**1 Claim, 5 Drawing Sheets**

(56) **References Cited**

**U.S. PATENT DOCUMENTS**

- 4,878,662 A \* 11/1989 Chern ..... A63B 21/063 482/98
- 5,342,271 A \* 8/1994 Long ..... A63B 21/063 482/98
- D361,927 S \* 9/1995 Chuen-Hong ..... D8/107
- 6,106,438 A \* 8/2000 Dean ..... A63B 23/14 127/45
- 6,193,635 B1 \* 2/2001 Webber ..... A63B 21/063 482/138
- D469,135 S \* 1/2003 Bell ..... D21/662



(56)

## References Cited

## U.S. PATENT DOCUMENTS

D617,625	S *	6/2010	Haining	.....	D8/107
D637,470	S *	5/2011	Vigil	.....	D8/107
8,231,508	B1 *	7/2012	Rousseau	.....	A63B 21/00043 482/44
D667,899	S *	9/2012	Bronston	.....	D21/662
D694,348	S *	11/2013	Rankin	.....	D21/679
D740,897	S *	10/2015	Miltner	.....	D21/694
9,192,800	B1 *	11/2015	Meyer	.....	A63B 71/0054
9,421,413	B2	8/2016	Staten et al.		
D777,851	S *	1/2017	Simonetti	.....	D21/694
D863,022	S *	10/2019	Papafagos	.....	D8/303
D867,100	S *	11/2019	Papafagos	.....	D8/303
2003/0092542	A1 *	5/2003	Bartholomew	.....	A63B 21/063 482/99
2006/0220394	A1 *	10/2006	Halder	.....	F16B 19/109 292/252
2007/0155595	A1	7/2007	Rogers et al.		
2007/0155596	A1	7/2007	Rogers et al.		
2007/0243976	A1 *	10/2007	Cao	.....	A63B 21/063 482/99
2011/0091272	A1 *	4/2011	Wilcoxson	.....	A63B 21/063 403/325
2012/0283072	A1 *	11/2012	Jones	.....	A63B 21/0602 482/93
2012/0289384	A1	11/2012	Staten et al.		
2013/0296143	A1	11/2013	Staten et al.		
2013/0296146	A1	11/2013	Staten et al.		
2014/0338245	A1 *	11/2014	Lanasa	.....	F41C 23/16 42/72
2015/0083681	A1	3/2015	Childs		
2015/0126342	A1 *	5/2015	Kaye	.....	A63B 21/0442 482/121
2015/0126347	A1 *	5/2015	Kaye	.....	A63B 21/0442 482/129
2015/0190678	A1 *	7/2015	Golsby	.....	A63B 21/002 482/4
2017/0100624	A1 *	4/2017	Young	.....	A63B 21/078
2018/0193713	A1 *	7/2018	Lo	.....	A63B 69/16
2018/0333609	A1 *	11/2018	Zerbo	.....	A63B 23/16
2018/0353797	A1 *	12/2018	Lin	.....	A63B 21/4033
2019/0262656	A1 *	8/2019	Brown	.....	A63B 21/4035

## OTHER PUBLICATIONS

Photos of Rogue Monster Plate Storage Pin from <https://web.archive.org/web/20170423182638/http://www.roguefitness.com/rogue-monster-plate-storage-pin>, dated Apr. 23, 2017.

Product listing for Monster Plate Storage Channel from <https://web.archive.org/web/20170613004102/http://www.roguefitness.com/monster-plate-storage-channel>, dated Jun. 13, 2017.

Product listing for Bolt on Double Change Plate Storage from <https://web.archive.org/web/20170520220201/http://www.roguefitness.com/bolt-on-double-change-plate-storage>, dated May 20, 2017.

Product listing for Monster Lite Double Change Plate Storage from <https://web.archive.org/web/20170621140323/http://www.roguefitness.com/monsterlite-double-change-plate-storage>, dated Jun. 21, 2017.

Product listing for Monster Lite Short Plate Storage Post Pair from <https://web.archive.org/web/20170613034156/http://www.roguefitness.com/monster-lite-short-plate-storage-post-pair>, dated Jun. 13, 2017.

Product listing for Infinity Short Plate Storage Post Pair from <https://web.archive.org/web/20170613023746/http://www.roguefitness.com/infinity-short-plate-storage-posts>, dated Jun. 13, 2017.

Product listing for SP33100 Plate Storage Pair—Long for 3×3 Monster from <https://web.archive.org/web/20170615150152/http://www.roguefitness.com/sp33100-plate-storage-long-for-3x3-monster>, dated Jun. 15, 2017.

Product listing for SP3358 Plate Storage Pair—Long for Monster Lite from <https://web.archive.org/web/20170614021632/http://www.roguefitness.com/sp3358-plate-storage-long-for-monster-lite>, dated Jun. 14, 2017.

Product listing for SP2358 Plate Storage Pair—Long for Infinity from <https://web.archive.org/web/20170617070909/http://www.roguefitness.com/sp2358-plate-storage-long-for-infinity>, dated Jun. 17, 2017.

Product listing for SP2250 Plate Storage Pair—Long for Mass Storage from <https://web.archive.org/web/20170614164923/http://www.roguefitness.com/sp2250-plate-storage-long-for-2x2-echo>, dated Jun. 14, 2017.

Product listing for Rogue Infinity Vertical Plate Storage from <https://web.archive.org/web/20170419022255/http://www.roguefitness.com:80/rogue-vertical-plate-storage>, dated Apr. 19, 2017.

\* cited by examiner

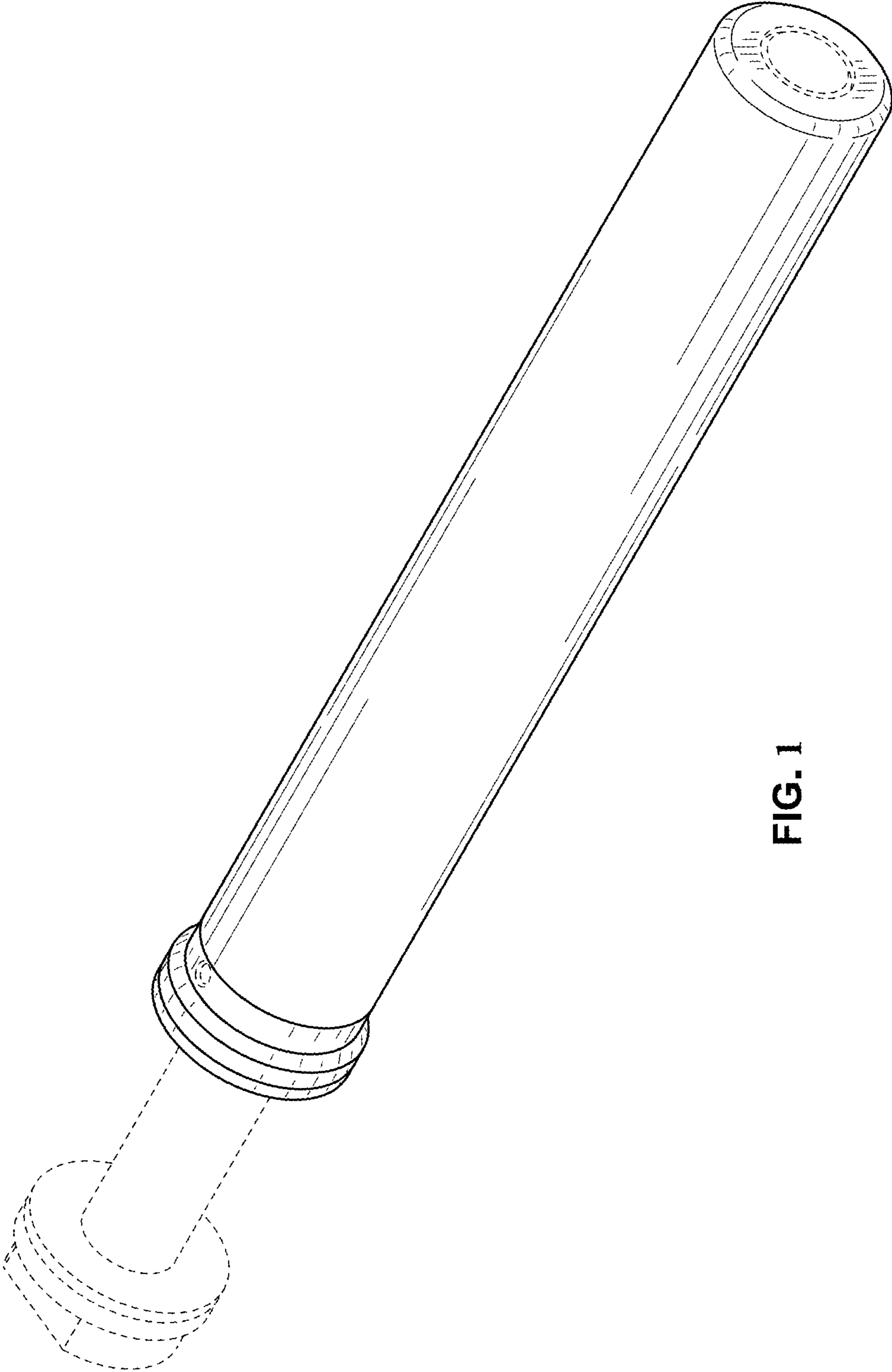


FIG. 1

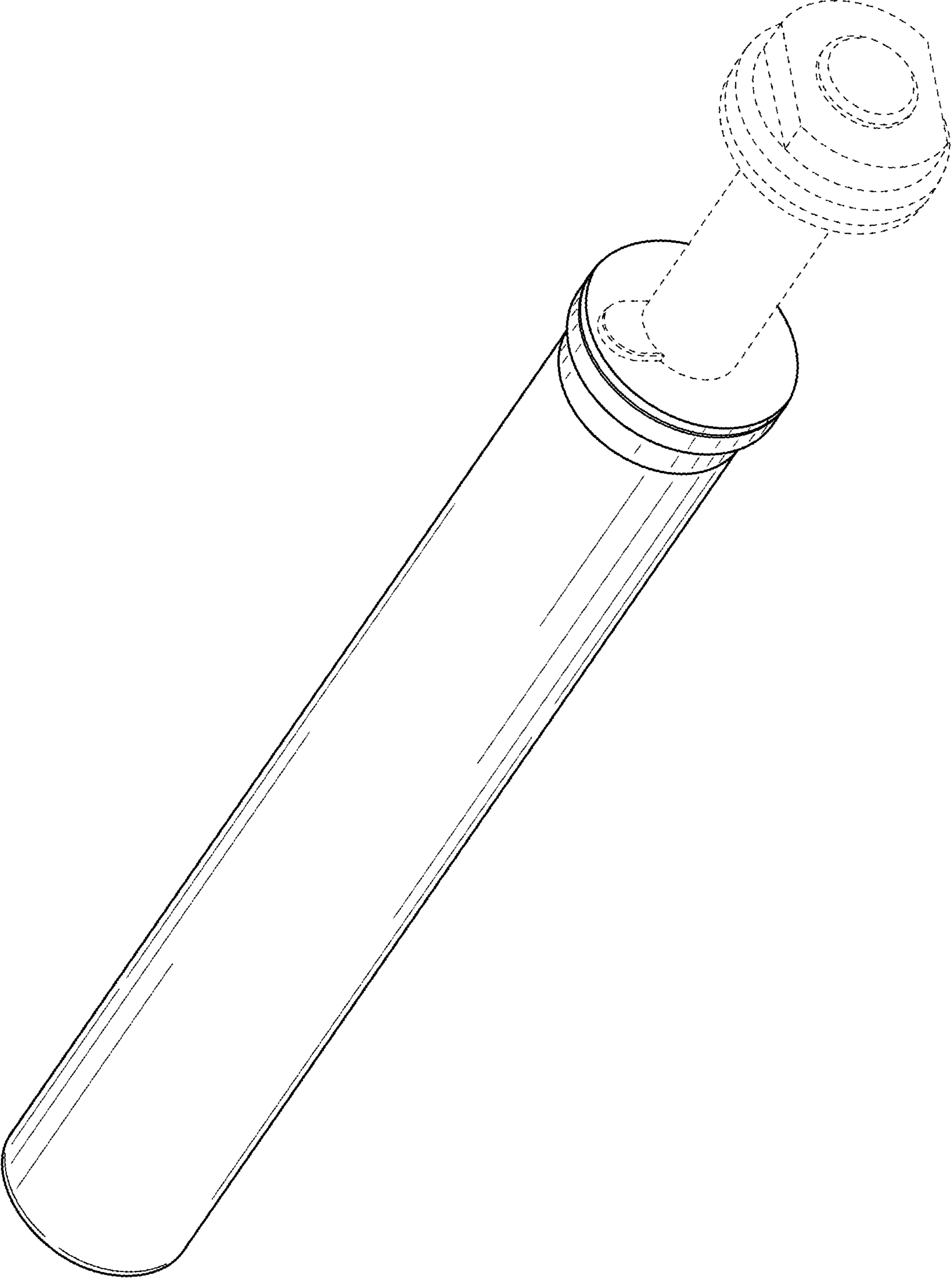


FIG. 2

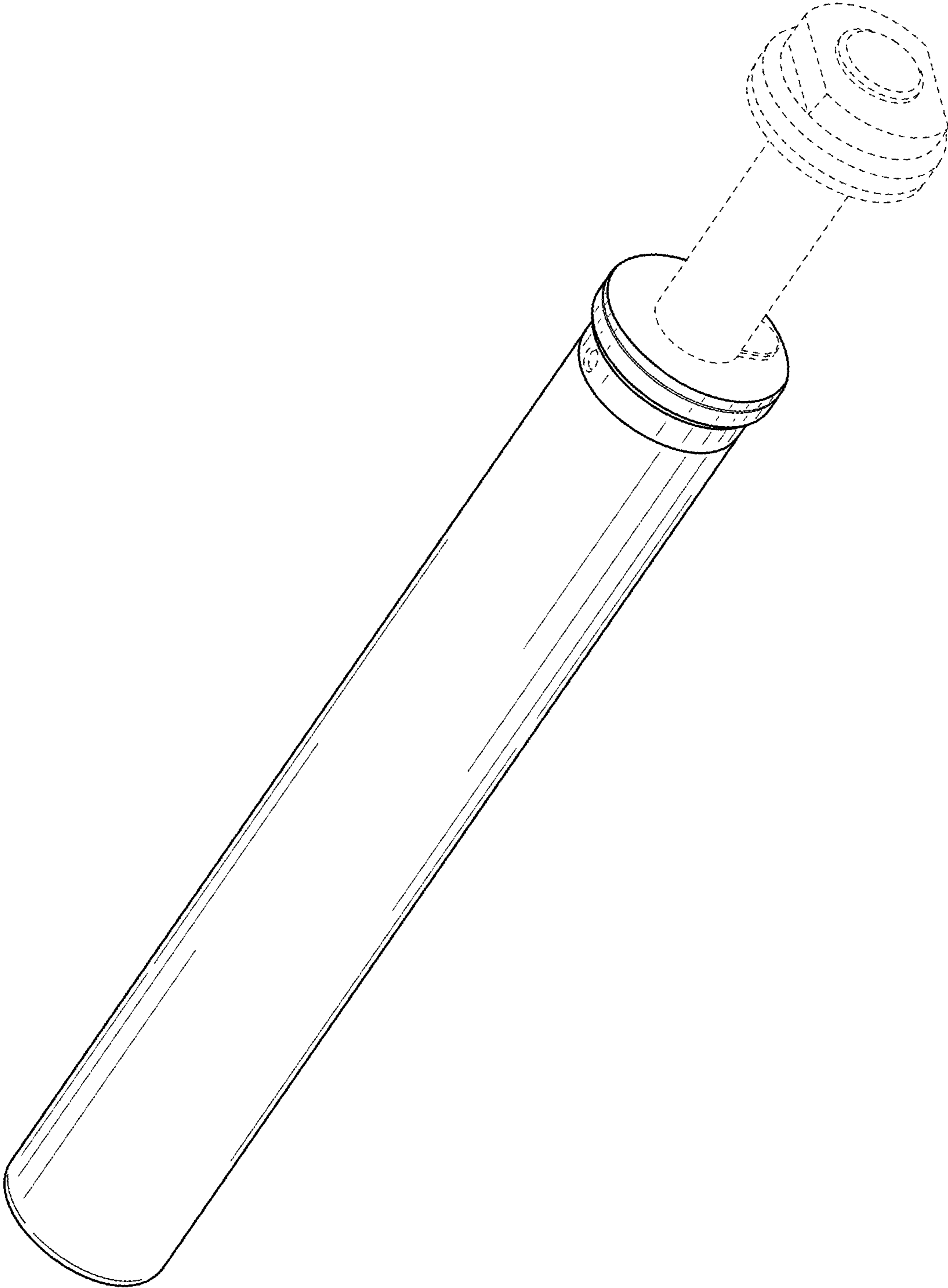


FIG. 3

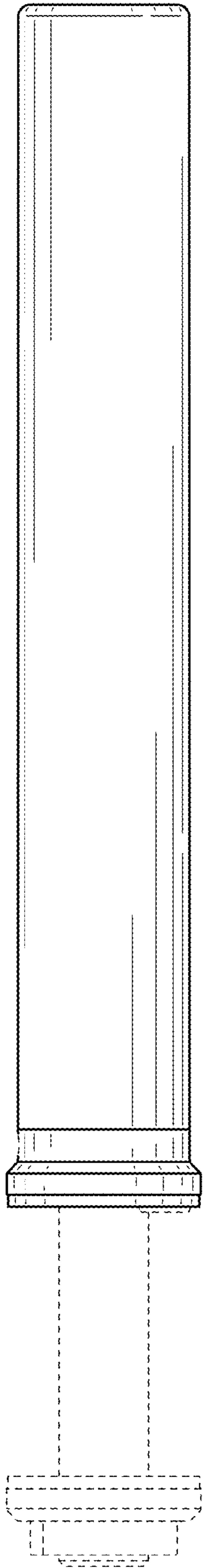


FIG. 4

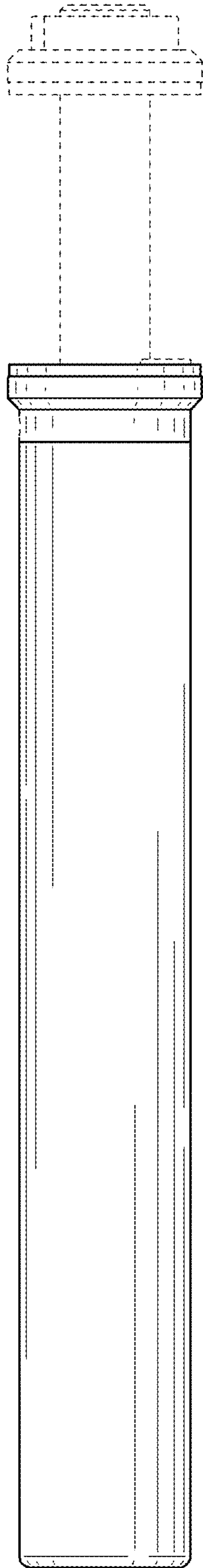


FIG. 5

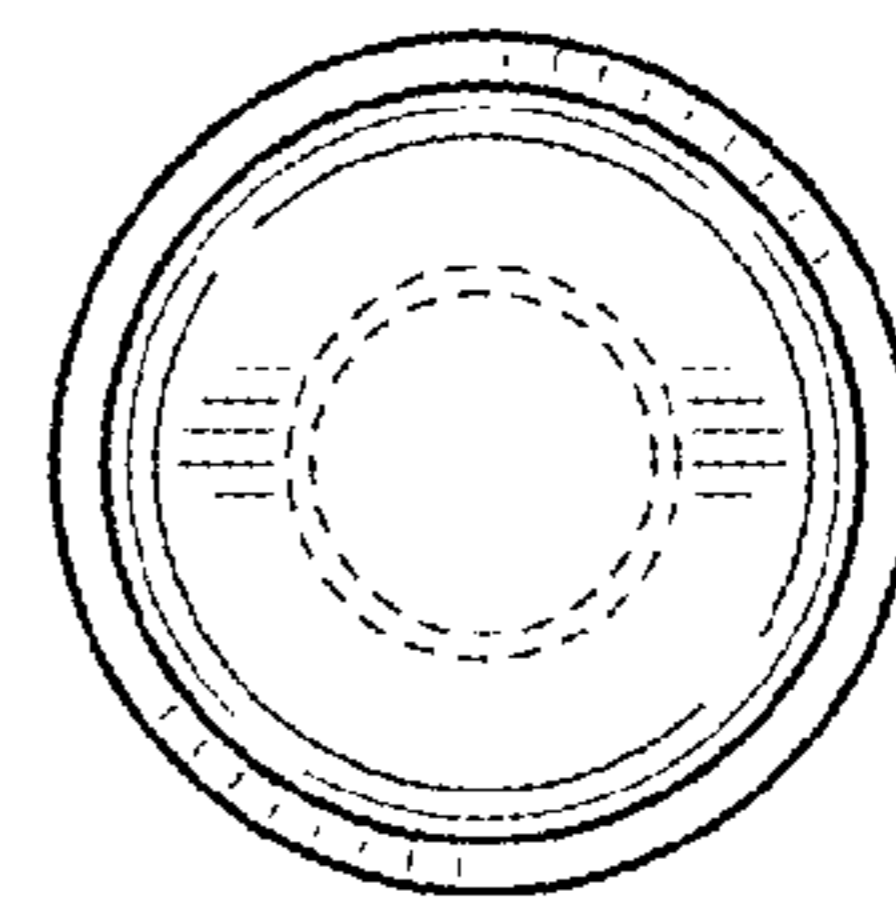


FIG. 6

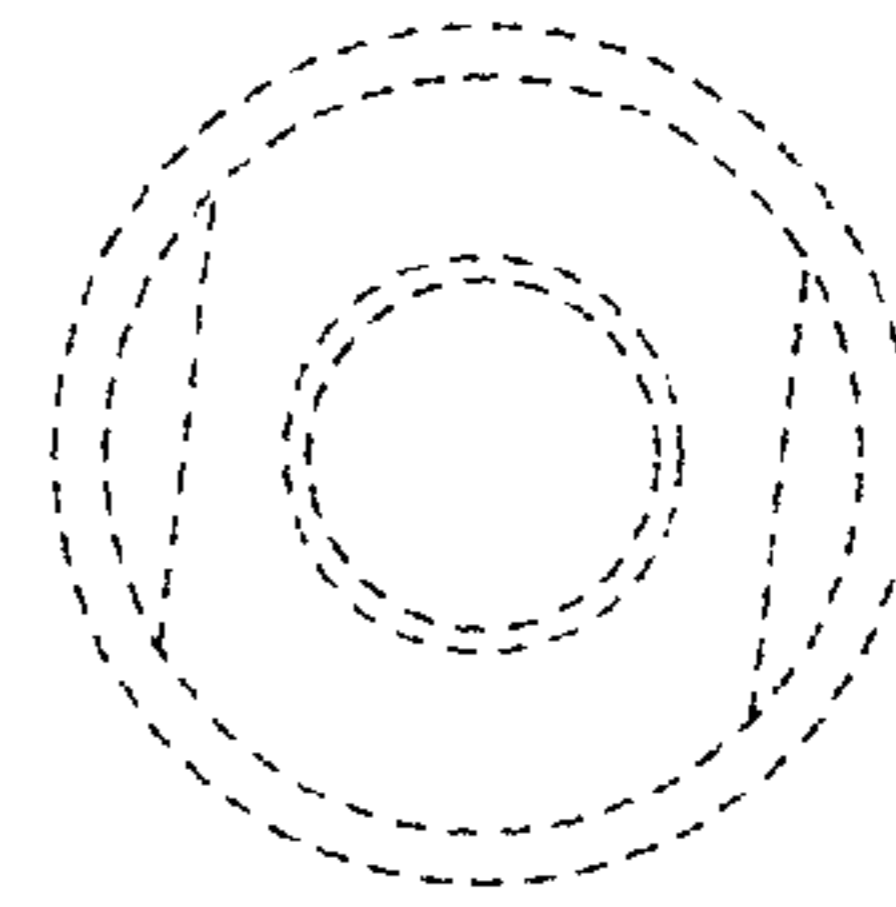


FIG. 7

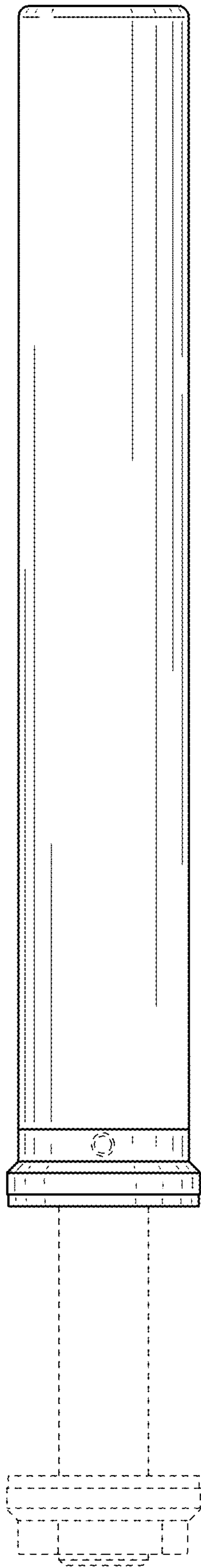


FIG. 8

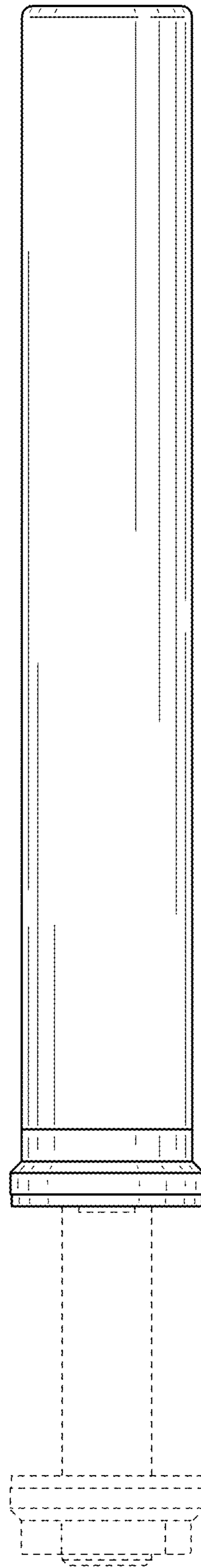


FIG. 9