



US00D884096S

(12) **United States Design Patent**
Dunahay

(10) **Patent No.:** **US D884,096 S**

(45) **Date of Patent:** **** May 12, 2020**

(54) **RACK**

(71) Applicant: **Coulter Ventures LLC**, Columbus, OH (US)

(72) Inventor: **Nash Dunahay**, Gahanna, OH (US)

(73) Assignee: **Coulter Ventures, LLC.**, Columbus, OH (US)

(**) Term: **15 Years**

(21) Appl. No.: **29/642,638**

(22) Filed: **Mar. 30, 2018**

(51) **LOC (12) Cl.** **21-02**

(52) **U.S. Cl.**
USPC **D21/694**

(58) **Field of Classification Search**
USPC D21/662, 673, 679-682, 686, 690, 694;
D3/254, 261, 262; D6/552, 553, 572;
D12/406, 420; D8/367, 372
CPC A47B 81/00; B60R 9/08; A63B 21/078;
A63B 21/0783; A63B 21/0557
See application file for complete search history.

(56) **References Cited**

U.S. PATENT DOCUMENTS

- 1,380,570 A * 6/1921 Lehman A47B 81/005
211/60.1
- 4,108,313 A * 8/1978 Bogar, Jr. A47B 81/005
211/106.01
- D310,446 S * 9/1990 Elkins 211/64
- 4,991,723 A * 2/1991 Elkins A47B 81/005
211/106.01
- D337,466 S * 7/1993 Moser D6/570
- 5,524,772 A * 6/1996 Simmons A47B 81/005
211/4

- D455,310 S * 4/2002 Webber D21/686
 - 6,450,378 B1 * 9/2002 Miller B60R 7/14
224/275
 - D469,293 S * 1/2003 Harms D21/686
- (Continued)

OTHER PUBLICATIONS

Internet Search URL > <https://www.roguefitness.com/rogue-monster-keyhole-gun-rack>[Date Searched Dec. 3, 2019] (Year: 2019).*
(Continued)

Primary Examiner — Shannon W Morgan

Assistant Examiner — Keith Frank

(74) *Attorney, Agent, or Firm* — Banner & Witcoff, Ltd.

(57) **CLAIM**

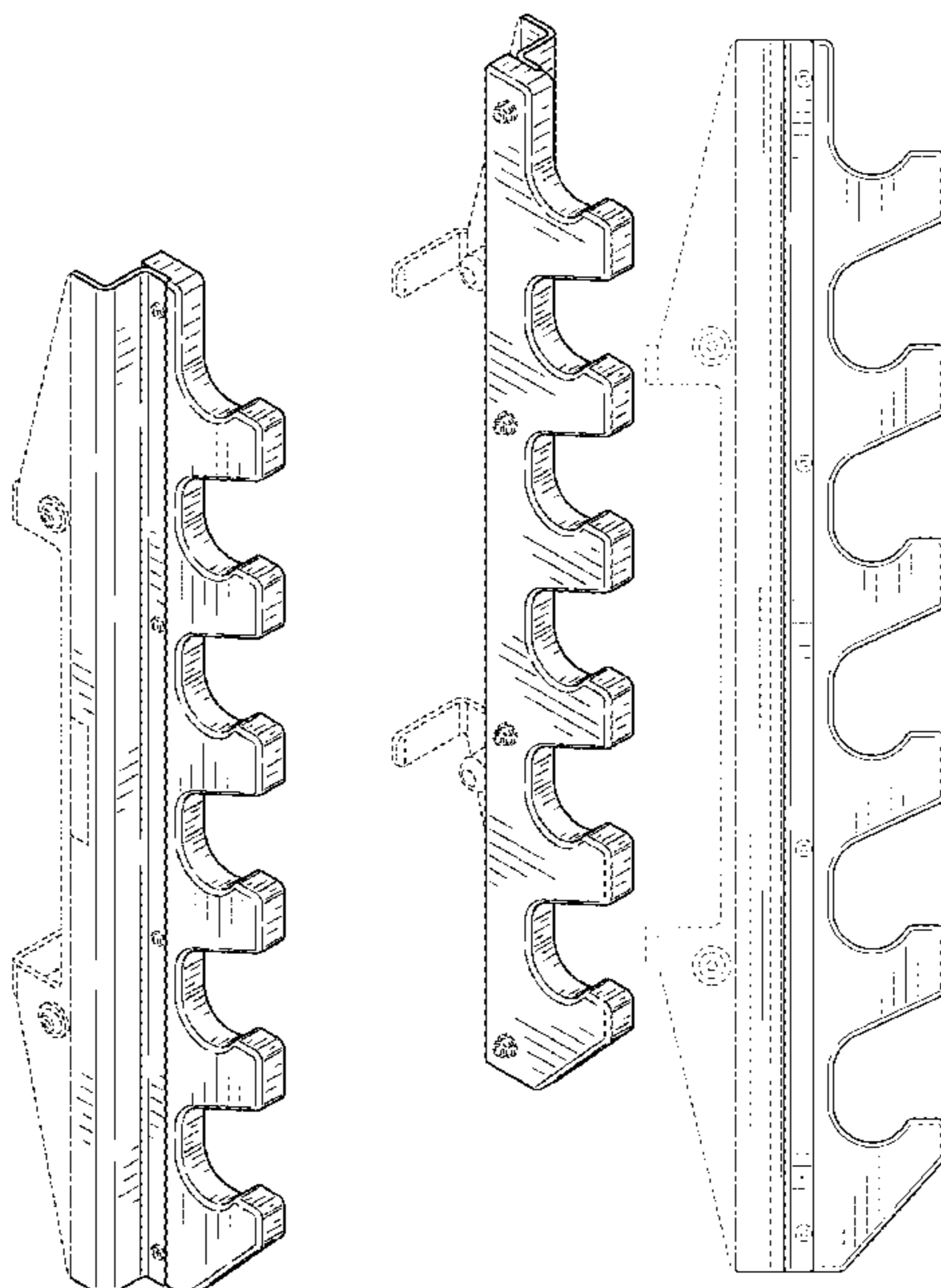
The ornamental design for a rack, as shown and described.

DESCRIPTION

FIG. 1 is a top, front, left perspective view of a rack showing my new design;
 FIG. 2 is a front view thereof;
 FIG. 3 is a rear view thereof;
 FIG. 4 is a left side view of the first side member thereof;
 FIG. 5 is a right side view of the first side member thereof;
 FIG. 6 is a right side view of a second side member thereof;
 FIG. 7 is a left side view of the second side member thereof;
 FIG. 8 is a top view thereof;
 FIG. 9 is a bottom view thereof; and,
 FIG. 10 is a top front right perspective view thereof.

The even-length broken lines depicting the remainder of the rack show features that form no part of the claimed design. The unshaded surfaces within the broken line rectangles form no part of the claimed design. The uneven-length broken lines immediately adjacent to the shaded areas in define the boundary lines of the claimed design and form no part thereof.

1 Claim, 7 Drawing Sheets



(56)

References Cited

U.S. PATENT DOCUMENTS

D469,294 S * 1/2003 Harms D21/686
D550,793 S * 9/2007 Rogers D21/694
D557,541 S * 12/2007 Corbell D6/552
D564,865 S * 3/2008 Johnson D8/372
D587,104 S * 2/2009 McCammon D6/572
D796,590 S * 9/2017 Crevits D21/662
D807,446 S * 1/2018 Meredith D21/691
2005/0133473 A1 * 6/2005 Lesperance A47B 81/005
211/64
2010/0130335 A1 * 5/2010 Hoobler A63B 21/078
482/104
2015/0069103 A1 * 3/2015 Fife B60R 7/14
224/555
2015/0083681 A1 * 3/2015 Childs A63B 21/078
211/85.7

OTHER PUBLICATIONS

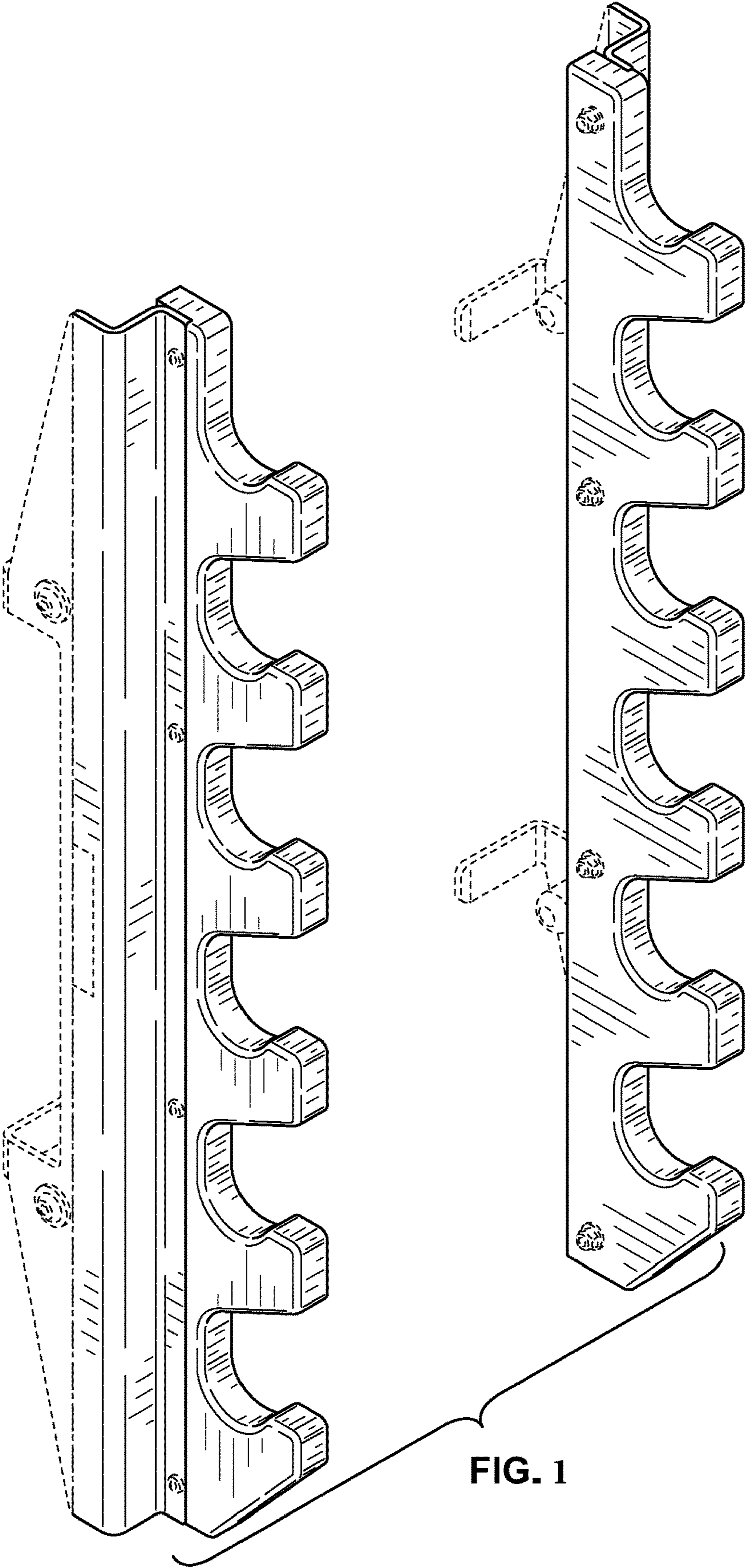
Product listing for Rogue Monster J-Cups from <https://web.archive.org/web/20160825212705/http://www.roguefitness.com:80/rogue-monster-j-cups>, dated Aug. 25, 2016.

Product listing for Rogue Monster Sandwich J-Cups from <https://web.archive.org/web/20160914012749/http://www.roguefitness.com:80/rogue-monster-sandwich-j-cups>, dated Sep. 14, 2016.

Product listing for Titan Fitness Horizontal Wall Mounted 6 Barbell Gun Rack from <https://web.archive.org/web/20170831211533/https://www.titan.fitness/wall-mounted-6-barbell-gun-rack.html>, dated Aug. 31, 2017.

Product listing for Rogue V2 Gun Rack from <https://web.archive.org/web/20161015145440/http://www.roguefitness.com:80/the-rogue-gun-rack>, dated Oct. 15, 2016.

* cited by examiner



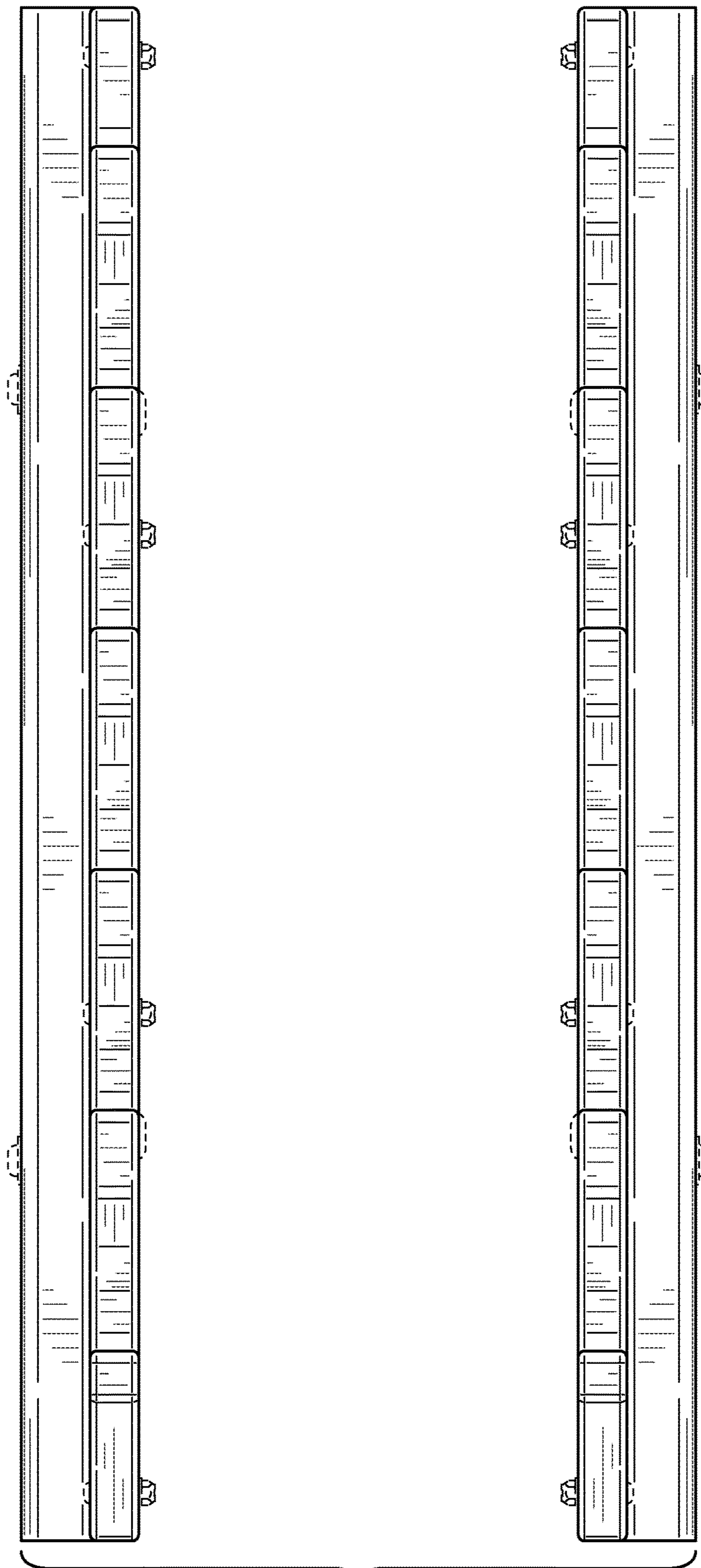


FIG. 2

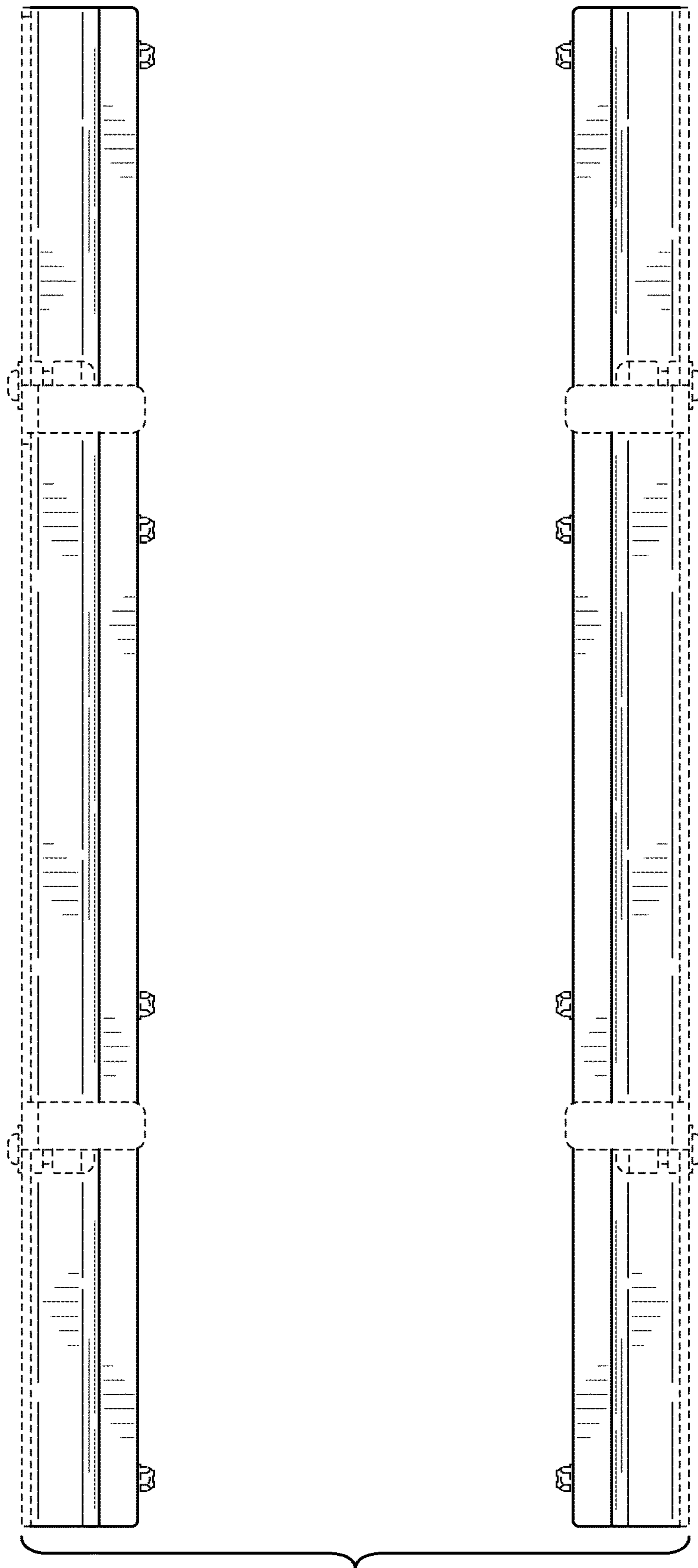


FIG. 3

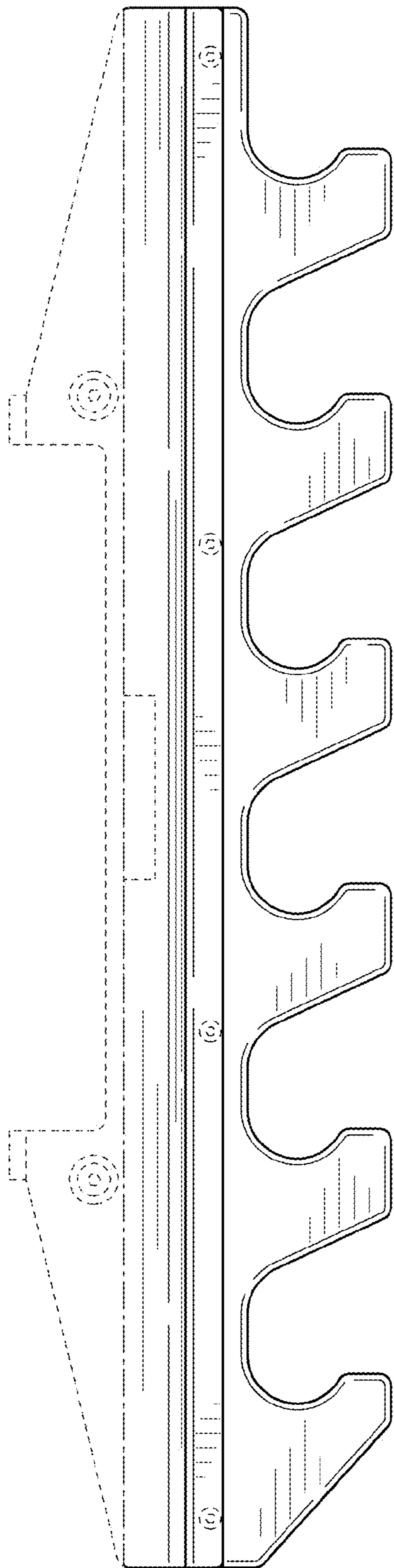


FIG. 4

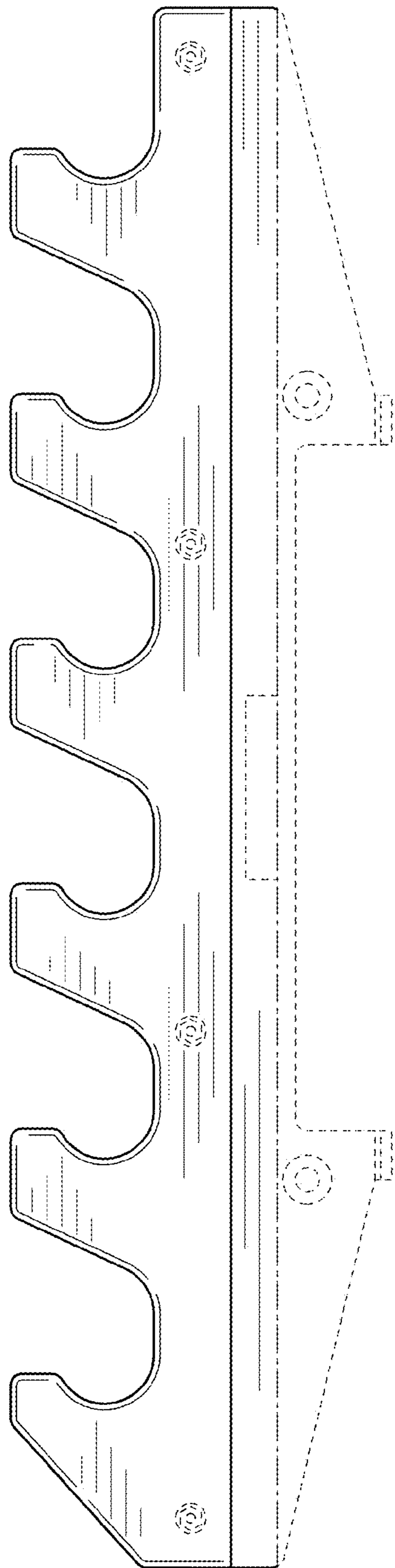


FIG. 5

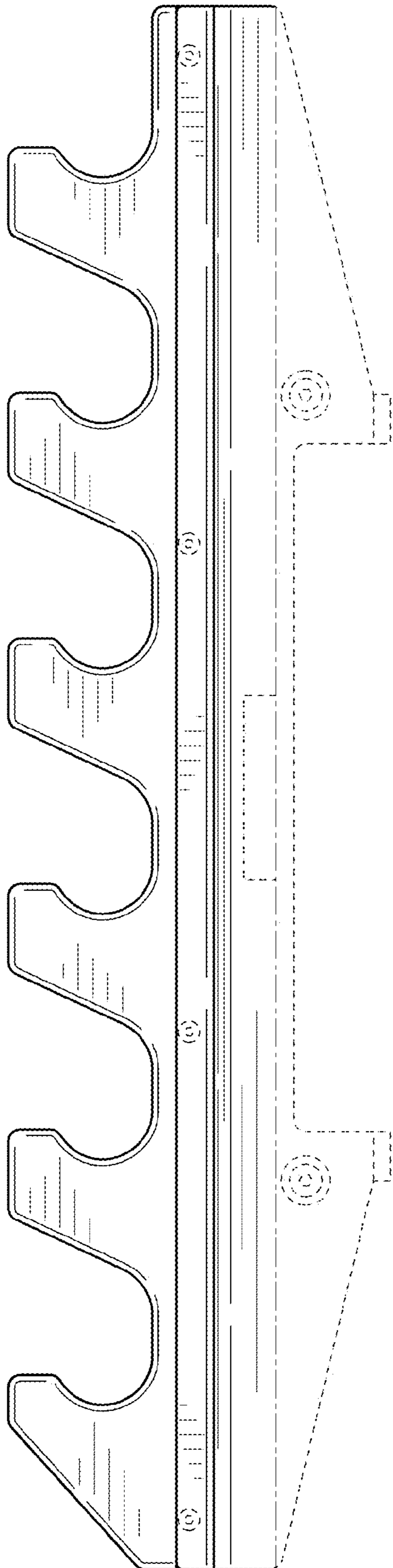


FIG. 6

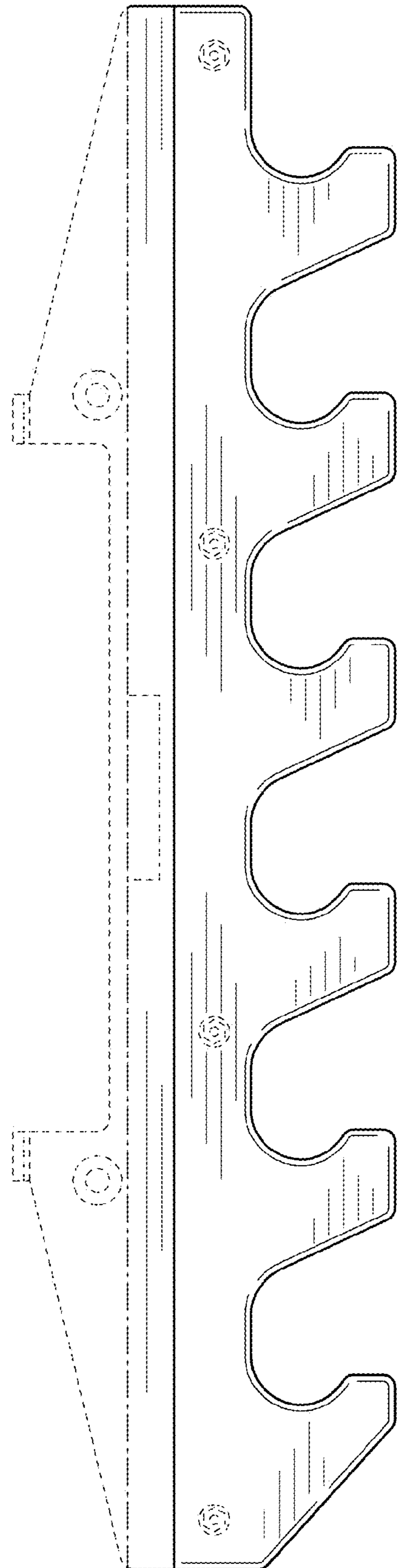


FIG. 7

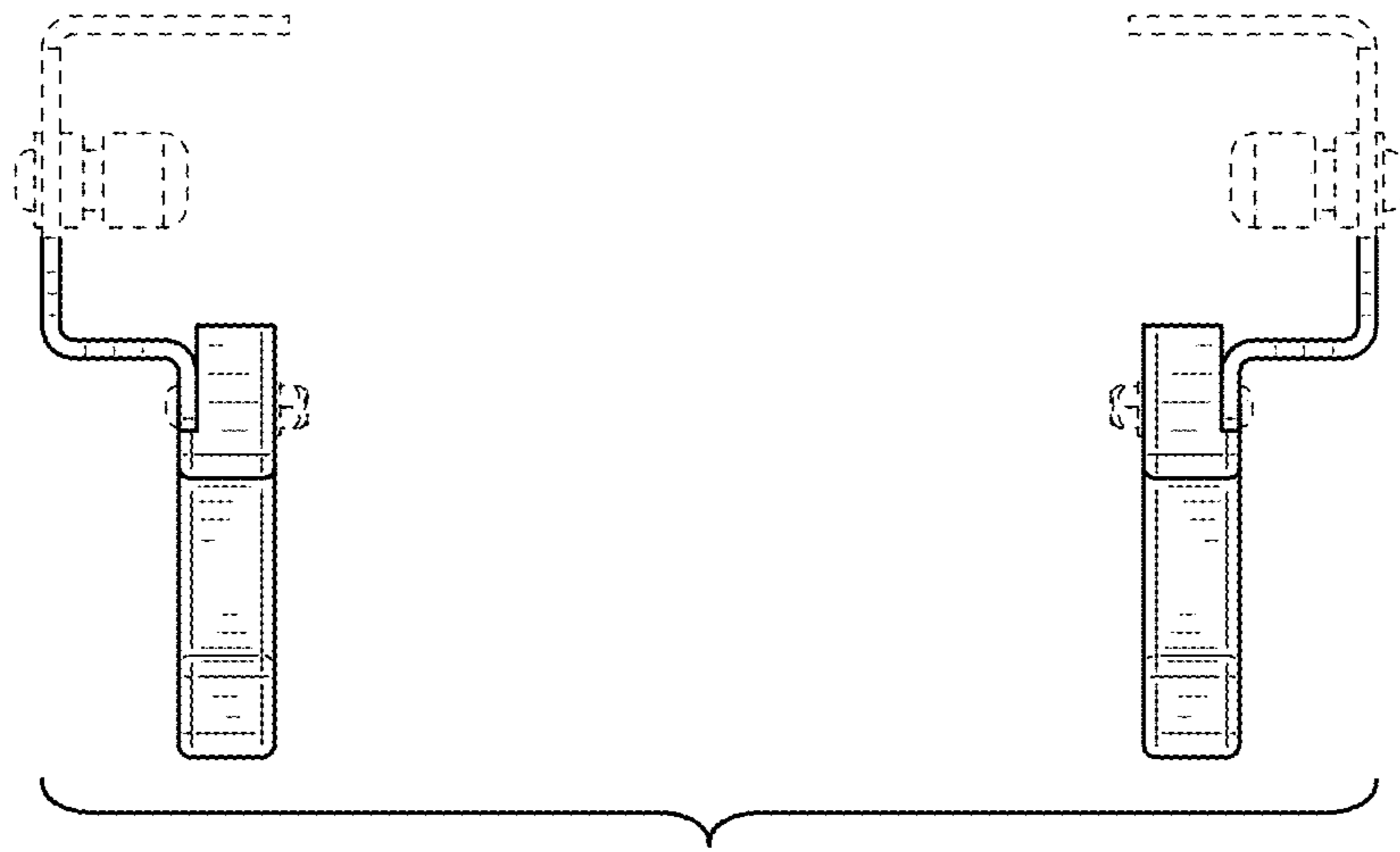


FIG. 8

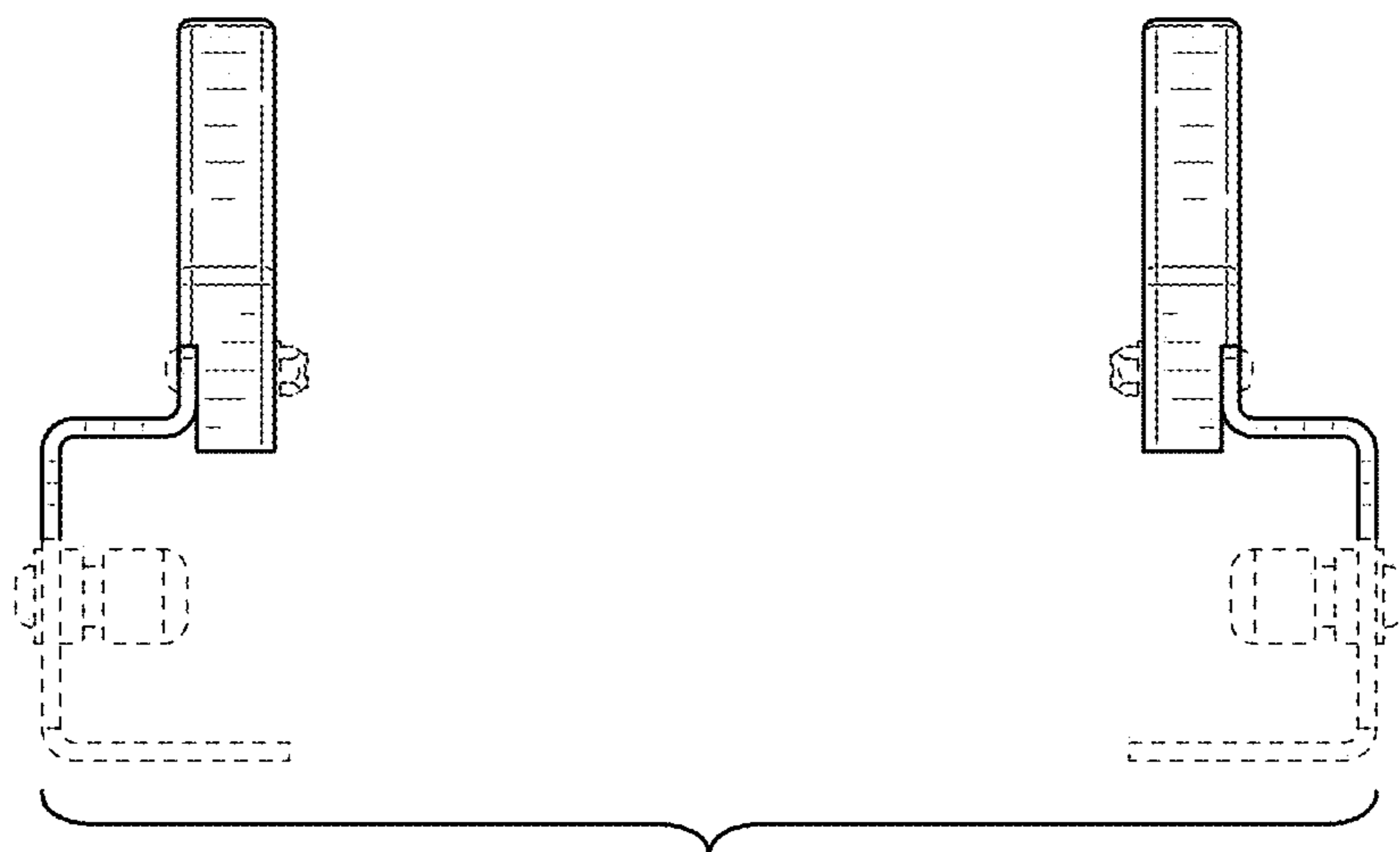


FIG. 9

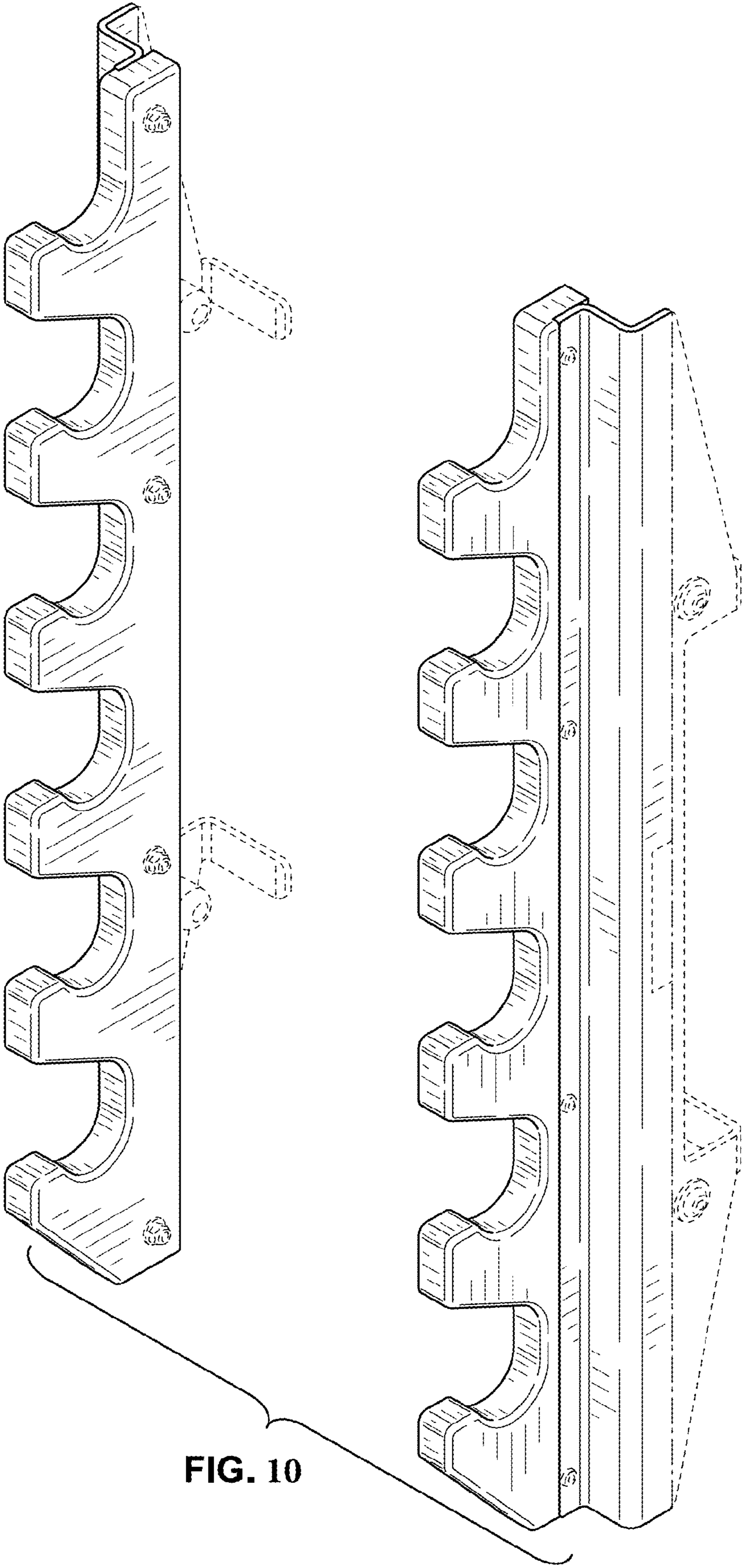


FIG. 10