



US00D884090S

(12) **United States Design Patent** (10) **Patent No.:** **US D884,090 S**  
**Lane** (45) **Date of Patent:** **\*\* \*May 12, 2020**

- (54) **CASTLE WALL MOLD** D333,328 S \* 2/1993 Aker ..... D21/510  
5,255,888 A 10/1993 Workman
- (71) Applicant: **Create A Castle, LLC**, New Milford, CT (US) D347,576 S \* 6/1994 Boger ..... D9/420  
D372,056 S \* 7/1996 Norton ..... D21/472  
5,597,593 A 1/1997 Lebensfeld
- (72) Inventor: **Kevin Lane**, New Milford, CT (US) D384,960 S 10/1997 Kistler  
6,126,876 A 10/2000 Demarzo
- (73) Assignee: **CREATE A CASTLE, LLC**, New Milford, CT (US) 6,176,464 B1 1/2001 Harvey  
6,415,926 B1 7/2002 Long  
(Continued)

(\* ) Notice: This patent is subject to a terminal disclaimer.

**FOREIGN PATENT DOCUMENTS**

JP 2013108336 6/2013

(\*\*) Term: **15 Years**

**OTHER PUBLICATIONS**

(21) Appl. No.: **29/630,909**

Amazon Tubtrug: found (Feb. 6, 2019) on ([https://www.amazon.co.uk/Tubtrugs-Flexible-Bucket-SIZES-COLOURS/dp/B00CQLSVWK/ref=sr\\_1\\_7?s=kids&ie=UTF8&qid=1551977126&sr=8-7&keywords=tubtrug](https://www.amazon.co.uk/Tubtrugs-Flexible-Bucket-SIZES-COLOURS/dp/B00CQLSVWK/ref=sr_1_7?s=kids&ie=UTF8&qid=1551977126&sr=8-7&keywords=tubtrug) (Year: 2013).\*

(22) Filed: **Dec. 22, 2017**

(51) **LOC (12) Cl.** ..... **21-01**

(52) **U.S. Cl.**

USPC ..... **D21/510**; D21/506; D9/424

(58) **Field of Classification Search**

USPC ..... D3/270, 271.1-271.6; D7/510, 514-520, D7/599, 604, 613, 619.2, 628; D9/414, D9/430-434, 636-640; D21/472, 494, D21/506, 510, 532; D25/121-122, 130, D25/608, 613, 628

CPC .... B65D 5/4258; B65D 81/60; B65D 81/365; B65D 81/366; B65D 81/368; B65D 2203/00; B65D 2203/02

See application file for complete search history.

(Continued)

*Primary Examiner* — Manpreet S Matharu  
*Assistant Examiner* — Keith J Wilson  
(74) *Attorney, Agent, or Firm* — Michael D. Downs; Fincham Downs LLC

(57) **CLAIM**

The ornamental design for a castle wall mold, as shown and described.

(56) **References Cited**

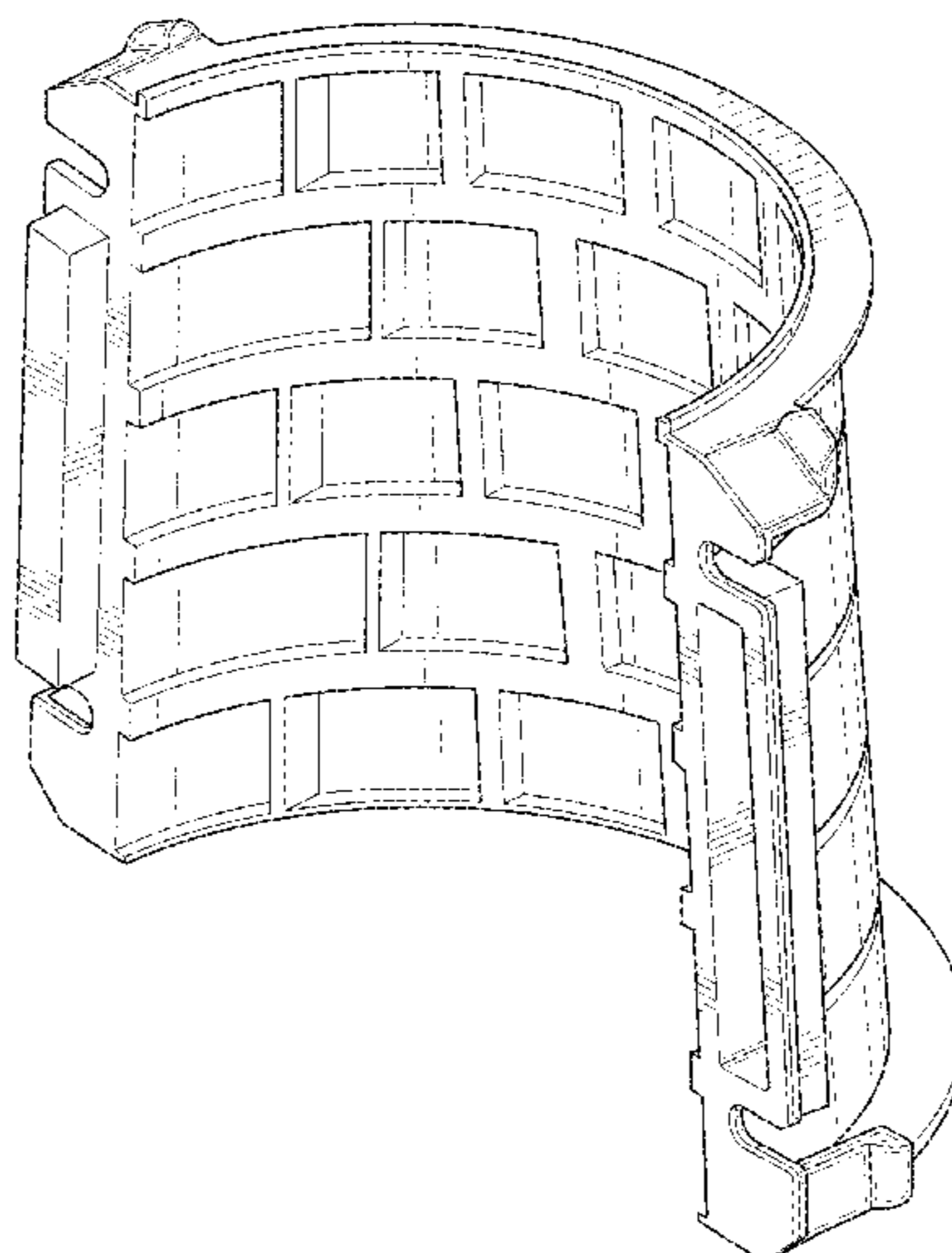
**DESCRIPTION**

**U.S. PATENT DOCUMENTS**

- 1,947,413 A 2/1934 Hay
- D199,042 S \* 9/1964 Douglas ..... D9/638
- 4,154,423 A \* 5/1979 Crock ..... B28B 7/0029  
249/117
- 4,171,791 A 10/1979 Britz
- D272,678 S \* 2/1984 Goldberg ..... D3/271.6
- D276,634 S \* 12/1984 Pope ..... D21/510
- 4,847,741 A 7/1989 Boettinger
- 4,887,789 A \* 12/1989 Harris ..... E04G 9/10  
249/16

FIG. 1 is a perspective view of a castle wall mold according to the new design;  
FIG. 2 is a right-side elevational view thereof;  
FIG. 3 is a left-side elevational view thereof;  
FIG. 4 is a front plan view thereof;  
FIG. 5 is a back plan view thereof;  
FIG. 6 is a top plan view thereof; and,  
FIG. 7 is a bottom plan view thereof.

**1 Claim, 7 Drawing Sheets**



(56)

References Cited

U.S. PATENT DOCUMENTS

D503,125 S \* 3/2005 Federic ..... D11/121  
 D545,924 S \* 7/2007 Wilson ..... D21/494  
 D546,903 S \* 7/2007 Wilson ..... D21/494  
 D609,963 S \* 2/2010 Braden ..... D7/359  
 D631,105 S \* 1/2011 Cohen ..... D21/510  
 D683,233 S \* 5/2013 Lo ..... D9/638  
 8,485,493 B2 7/2013 Wells et al.  
 D688,323 S \* 8/2013 Colwell ..... D21/472  
 D688,327 S \* 8/2013 Colwell ..... D21/472  
 D689,140 S \* 9/2013 Lo ..... D21/451  
 8,544,227 B2 10/2013 Gullette  
 D715,375 S \* 10/2014 Li ..... D21/468  
 8,857,783 B2 \* 10/2014 Thorpe-Double .....  
 B29C 39/003  
 249/101  
 D736,078 S \* 8/2015 Ambelang ..... D9/424  
 D739,475 S \* 9/2015 Reed ..... D21/472  
 D769,617 S \* 10/2016 Martin ..... D3/269  
 D776,354 S \* 1/2017 Schlatter ..... D28/85  
 D777,985 S \* 1/2017 Schlatter ..... D28/85  
 D780,570 S \* 3/2017 Bard ..... D9/420  
 D793,855 S \* 8/2017 Levy ..... D9/420  
 D797,886 S \* 9/2017 Parisi ..... D21/510  
 D805,914 S \* 12/2017 Jackman ..... D9/636  
 D809,777 S \* 2/2018 Lee ..... D3/202  
 D810,205 S \* 2/2018 Jung ..... D21/472  
 D810,571 S \* 2/2018 Bartoli ..... D9/502  
 D814,872 S \* 4/2018 Allers ..... D7/545  
 D820,079 S \* 6/2018 Caly ..... D9/420  
 10,080,979 B2 9/2018 Lane  
 2005/0249835 A1 11/2005 Racunas  
 2008/0072510 A1 3/2008 Wells et al.

2008/0251687 A1 10/2008 Taufield  
 2014/0182226 A1 7/2014 Habodasz  
 2018/0207542 A1\* 7/2018 Lane ..... A63H 33/32

OTHER PUBLICATIONS

<https://createacastle.com/collections/create-a-castle-master-collection> (Year: 2019).  
 Screenshots of webpages at Can You Dig it Sand Tools (sandtools.com), downloaded Apr. 17, 2018, 5 pages.  
 Screenshots of webpage and product images at <https://uedata.amazon.com/PSE-Create-A-Castle-Beach-Builder-Set/dp/B00R4UVCWO>, downloaded Apr. 17, 2018, 9 pages.  
 Written Opinion for PCT/US18/14293 dated May 3, 2018; 10 pps.  
 International Search Report for PCT/US18/14293 dated May 3, 2018; 4 pps.  
 Notice of Allowance for U.S. Appl. No. 29/630,914 dated Sep. 23, 2019, 8 pps.  
 Webpage at <https://createacastle.com/collections/create-a-castle-master-collection>, downloaded Sep. 25, 2019.  
 Office Action for U.S. Appl. No. 15/874,877 dated Mar. 22, 2018; 14 pps.  
 Notice of Allowance for U.S. Appl. No. 15/874,877 dated May 16, 2018; 5 pps.  
 Notice of Allowance for U.S. Appl. No. 15/874,877 dated Jul. 18, 2018; 4 pps.  
 Office Action for U.S. Appl. No. 29/630,901 dated Mar. 13, 2019; 5 pps.  
 Office Action for U.S. Appl. No. 29/630,914 dated Apr. 18, 2019; 7 pps.  
 Notice of Allowance for U.S. Appl. No. 29/630,901 dated Jan. 8, 2020; 5 pps.

\* cited by examiner

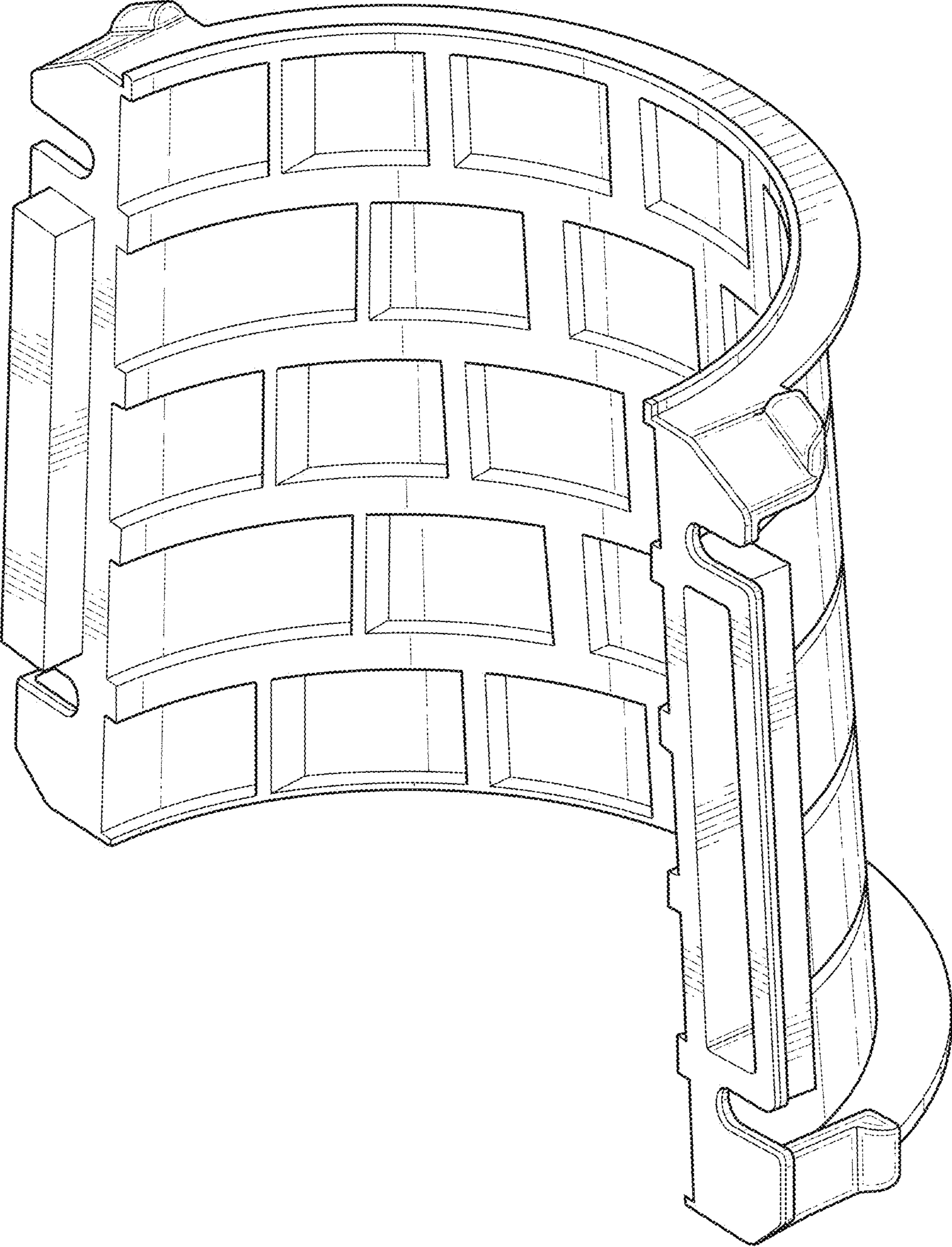


FIG. 1

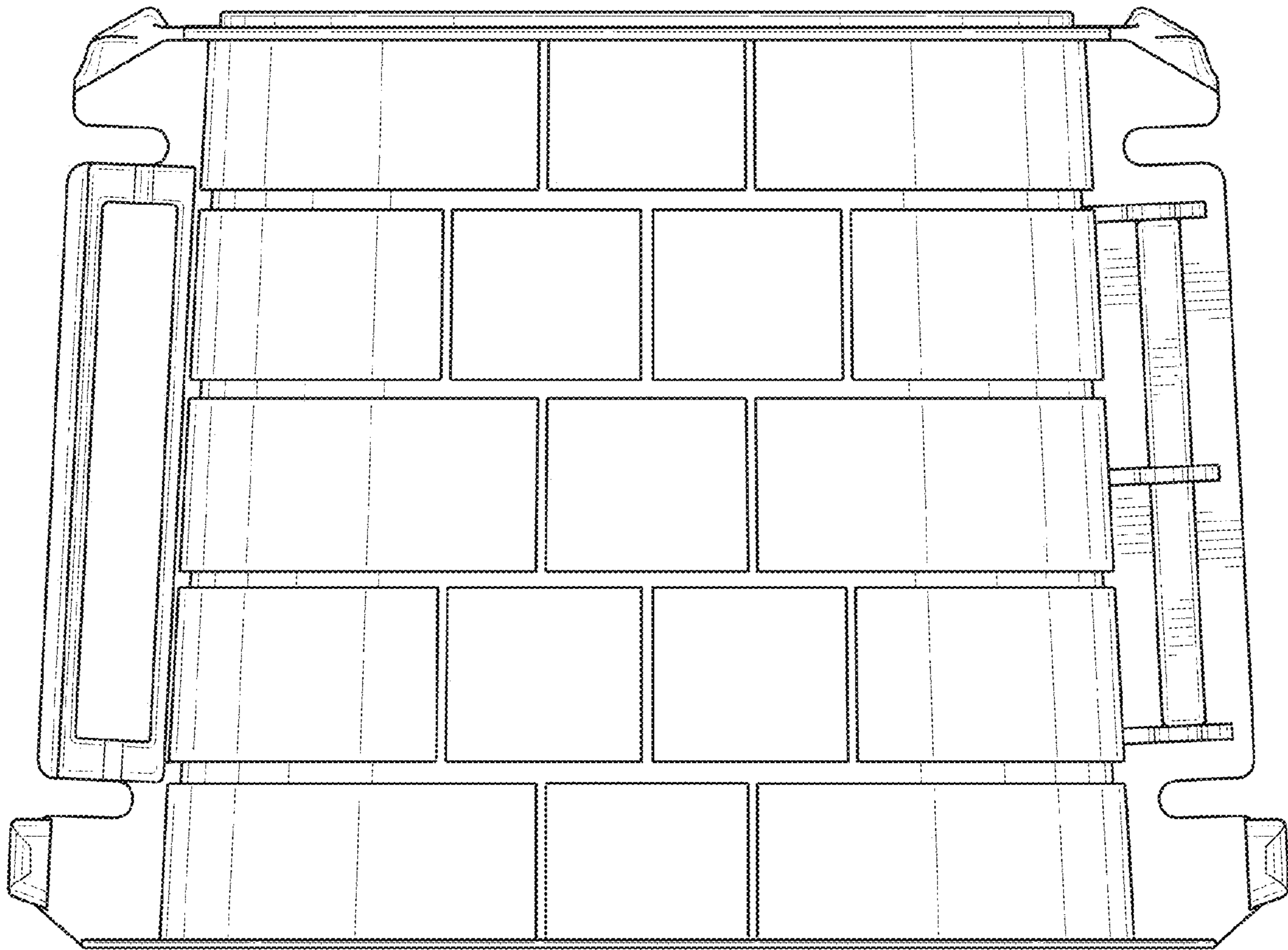


FIG. 2

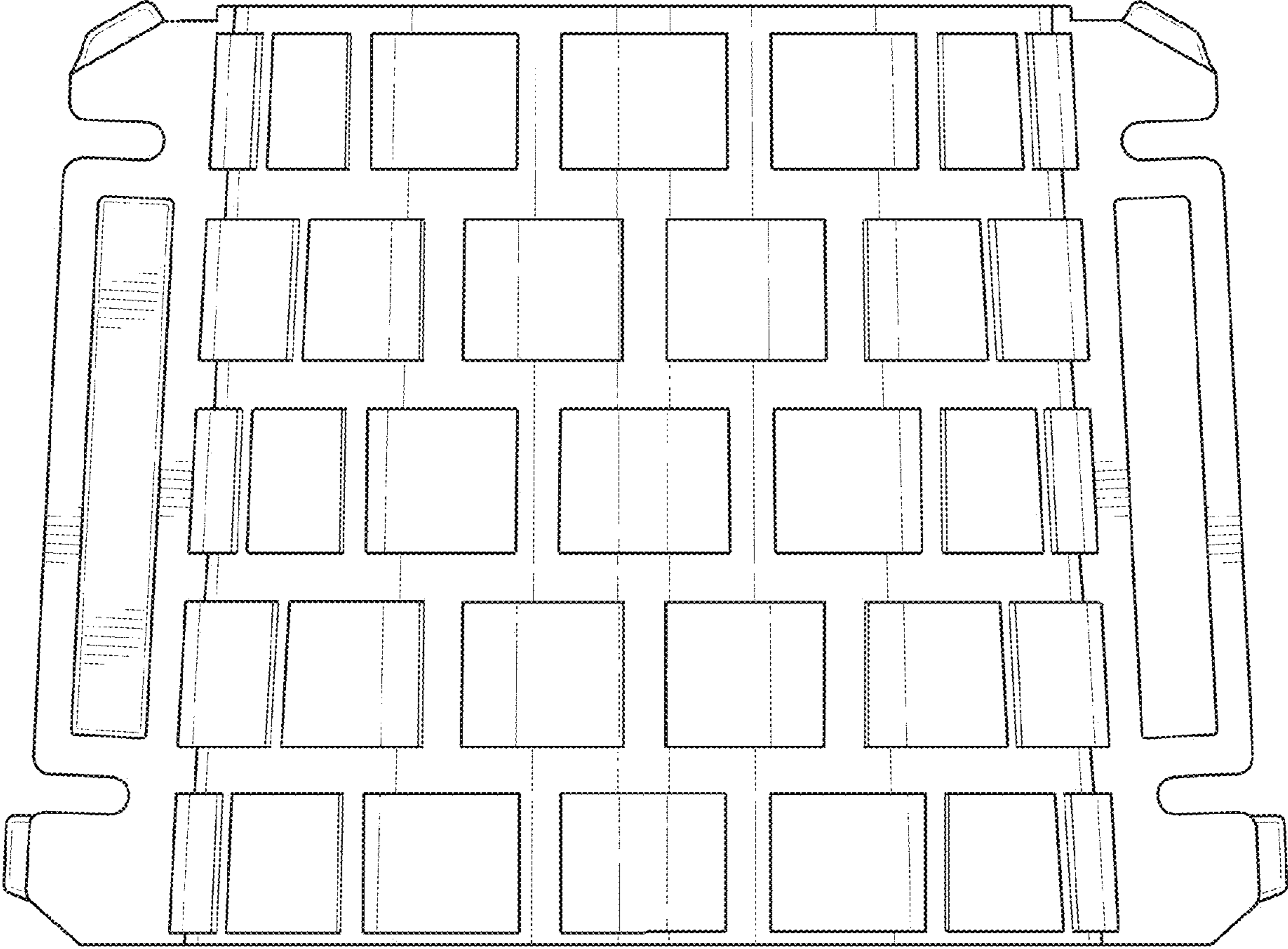


FIG. 3

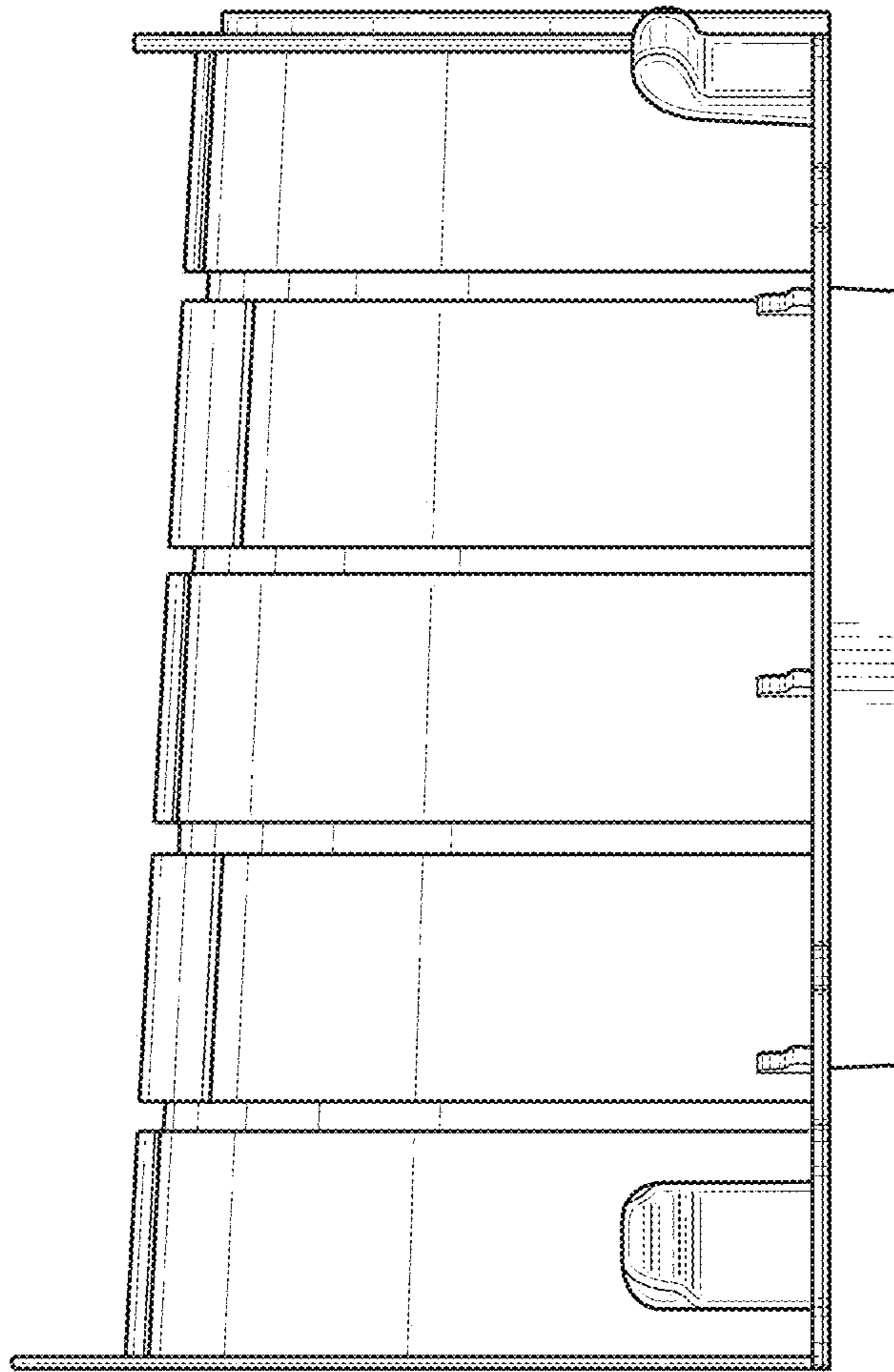


FIG. 4

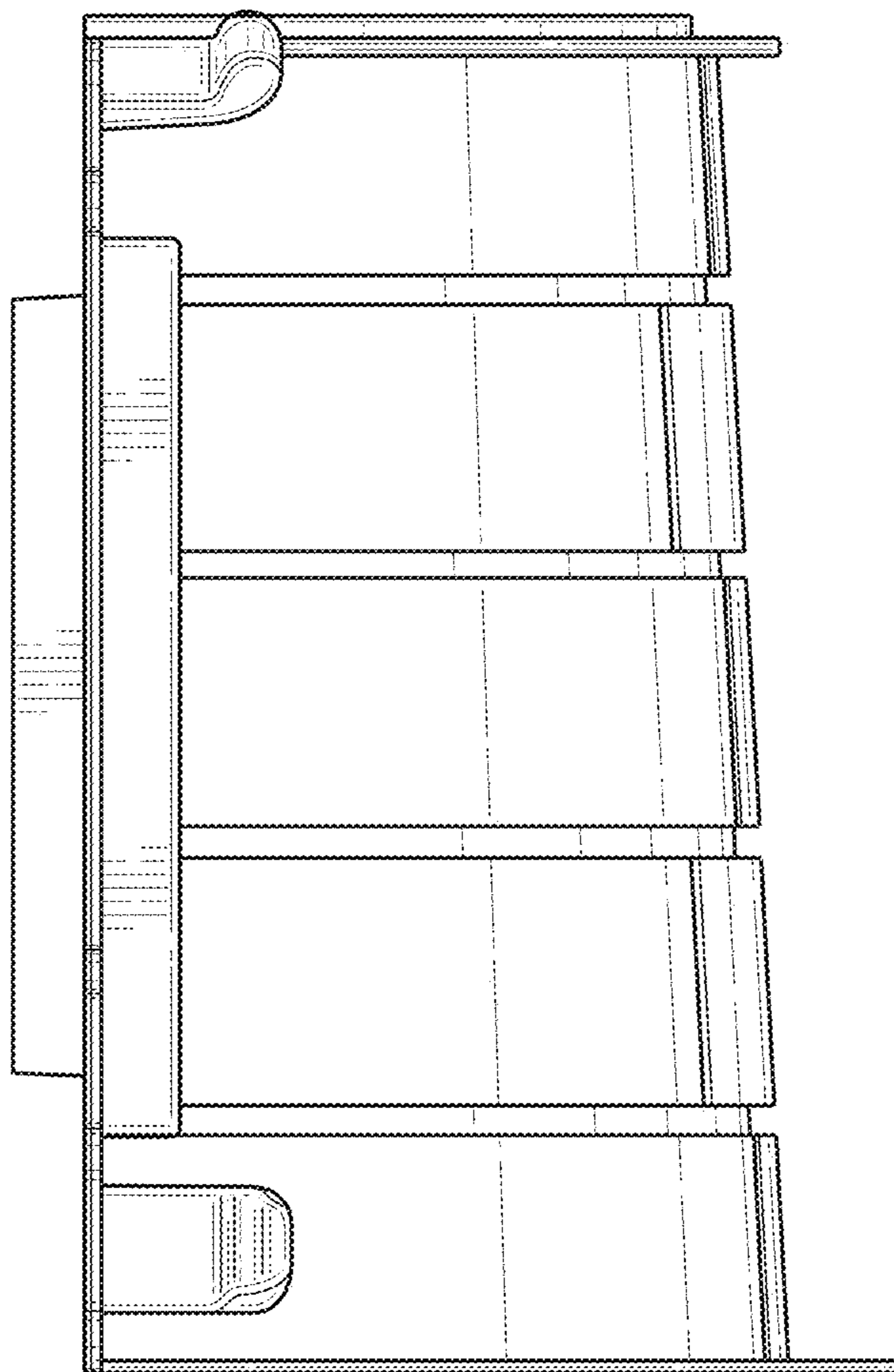


FIG. 5

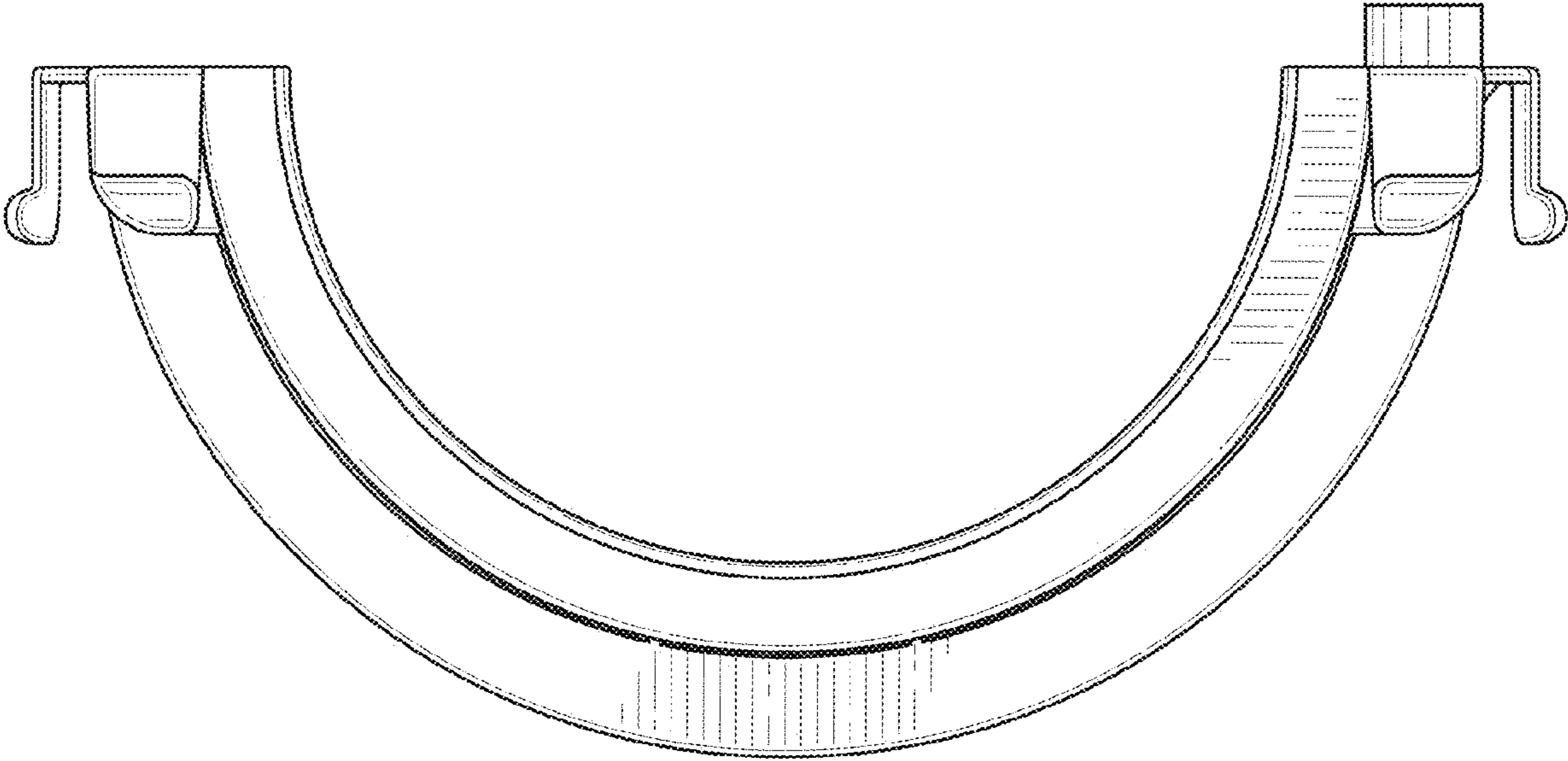


FIG. 6



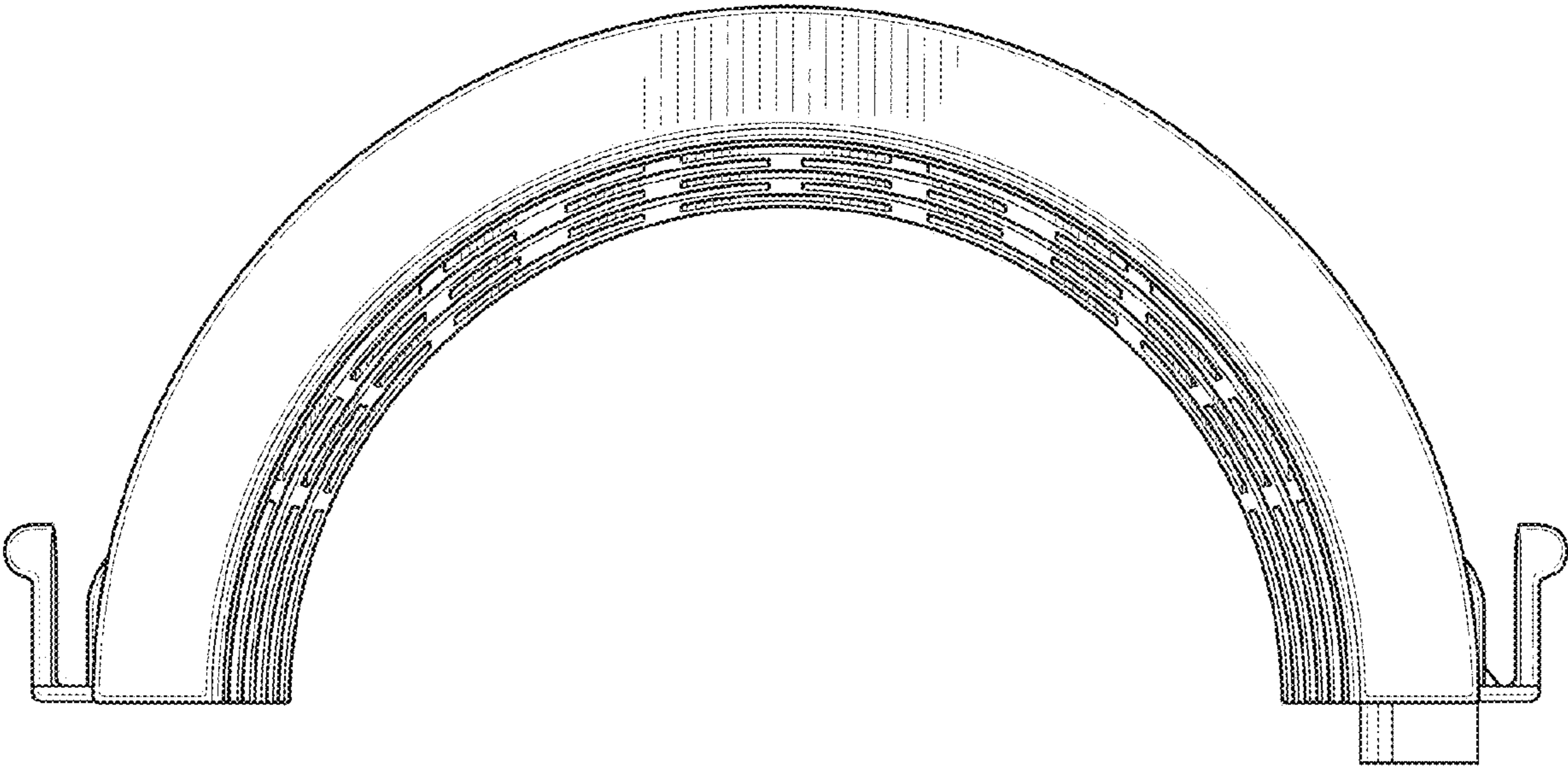


FIG. 7