



US00D884089S

(12) **United States Design Patent** (10) **Patent No.:** **US D884,089 S**
Lane (45) **Date of Patent:** **** *May 12, 2020**

(54) **CASTLE WALL MOLD**
(71) Applicant: **Create A Castle, LLC**, New Milford, CT (US)
(72) Inventor: **Kevin Lane**, New Milford, CT (US)
(73) Assignee: **CREATE A CASTLE, LLC**, New Milford, CT (US)

D333,328 S * 2/1993 Aker D21/510
5,255,888 A 10/1993 Workman
D347,576 S * 6/1994 Boger D9/420
D372,056 S * 7/1996 Norton D21/472
5,597,593 A 1/1997 Lebensfeld
D384,960 S 10/1997 Kistler
6,126,876 A 10/2000 Demarzo
6,176,464 B1 1/2001 Harvey
6,415,926 B1 7/2002 Long
(Continued)

(*) Notice: This patent is subject to a terminal disclaimer.
(**) Term: **15 Years**

FOREIGN PATENT DOCUMENTS

JP 2013108336 6/2013

(21) Appl. No.: **29/630,901**
(22) Filed: **Dec. 22, 2017**
(51) **LOC (12) Cl.** **21-01**
(52) **U.S. Cl.**
USPC **D21/510**; D21/506; D9/424
(58) **Field of Classification Search**
USPC D3/270, 271.1–271.6; D7/510, 514–520, D7/599, 604, 613, 619.2, 628; D9/414, D9/430–434, 636–640; D21/472, 494, D21/506, 510, 532; D25/121–122, 130, D25/608, 613, 628
CPC B65D 5/4258; B65D 81/60; B65D 81/365; B65D 81/366; B65D 81/368; B65D 2203/00; B65D 2203/02
See application file for complete search history.

OTHER PUBLICATIONS

Amazon Tubtrug: found (Feb. 6, 2019) on (https://www.amazon.co.uk/Tubtrugs-Flexible-Bucket-SIZES-COLOURS/dp/B00CQLSVWK/ref=sr_1_7?s=kids&ie=UTF8&qid=1551977126&sr=8-7&keywords=tubtrug (Year: 2013).*
(Continued)

Primary Examiner — Manpreet S Matharu
Assistant Examiner — Keith J Wilson
(74) *Attorney, Agent, or Firm* — Michael D. Downs; Fincham Downs LLC

(57) **CLAIM**

The ornamental design for a castle wall mold, as shown and described.

(56) **References Cited**

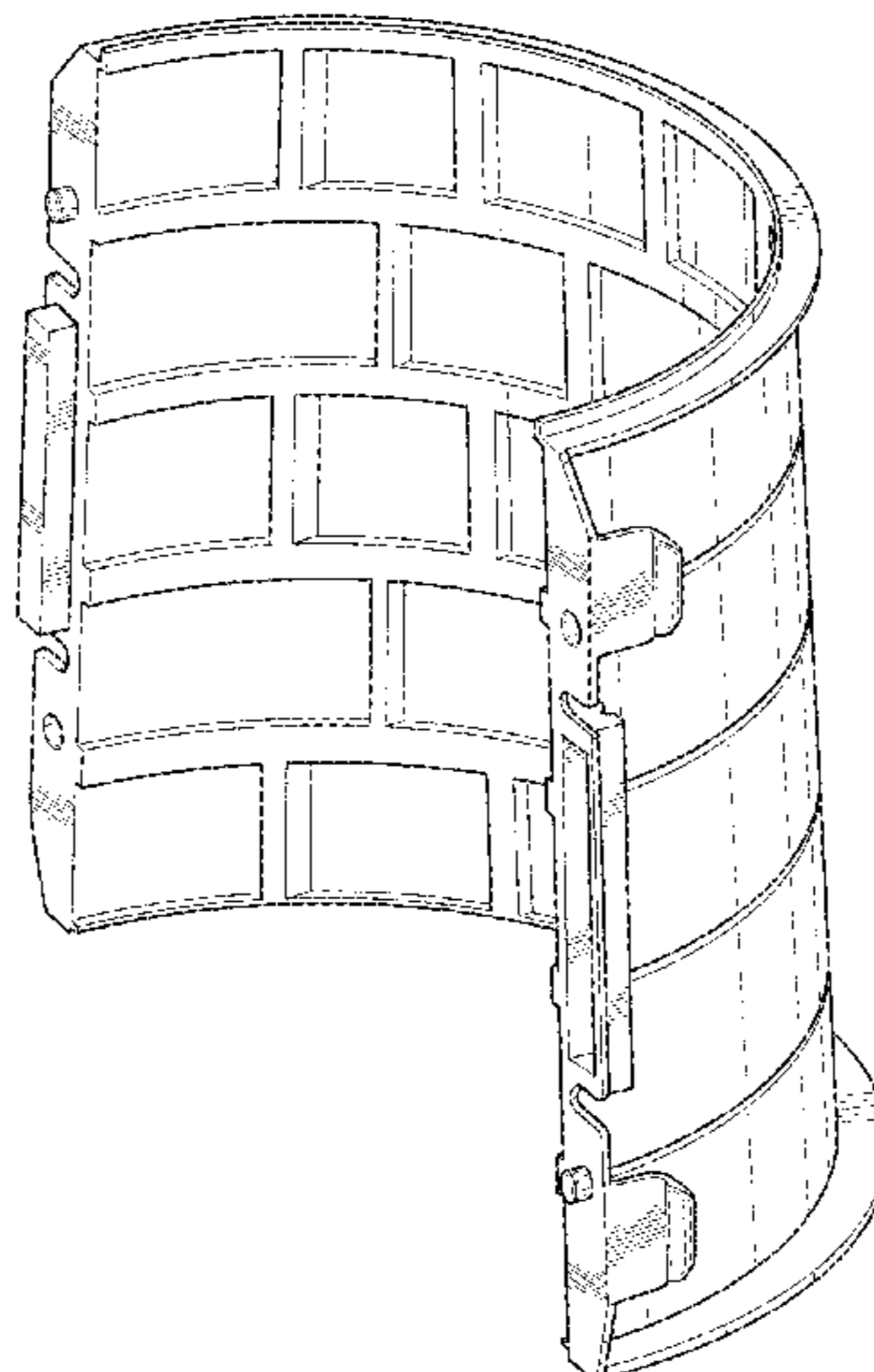
DESCRIPTION

U.S. PATENT DOCUMENTS

1,947,413 A 2/1934 Hay
D199,042 S * 9/1964 Douglas D9/638
4,154,423 A * 5/1979 Crock B28B 7/0029
249/117
4,171,791 A 10/1979 Britz
D272,678 S * 2/1984 Goldberg D3/271.6
D276,634 S * 12/1984 Pope D21/510
4,847,741 A 7/1989 Boettinger
4,887,789 A * 12/1989 Harris E04G 9/10
249/16

FIG. 1 is a perspective view of a castle wall mold according to the new design;
FIG. 2 is a right-side elevational view thereof;
FIG. 3 is a left-side elevational view thereof;
FIG. 4 is a front plan view thereof;
FIG. 5 is a back plan view thereof;
FIG. 6 is a top plan view thereof; and,
FIG. 7 is a bottom plan view thereof.

1 Claim, 7 Drawing Sheets



(56)

References Cited

U.S. PATENT DOCUMENTS

D503,125 S * 3/2005 Federic D11/121
 D545,924 S * 7/2007 Wilson D21/494
 D546,903 S * 7/2007 Wilson D21/494
 D609,963 S * 2/2010 Braden D7/359
 D631,105 S * 1/2011 Cohen D21/510
 D683,233 S * 5/2013 Lo D9/638
 8,485,493 B2 7/2013 Wells et al.
 D688,323 S * 8/2013 Colwell D21/472
 D688,327 S * 8/2013 Colwell D21/472
 D689,140 S * 9/2013 Lo D21/451
 8,544,227 B2 10/2013 Gullette
 D715,375 S * 10/2014 Li D21/468
 8,857,783 B2 * 10/2014 Thorpe-Double
 B29C 39/003
 249/101
 D736,078 S * 8/2015 Ambelang D9/424
 D739,475 S * 9/2015 Reed D21/472
 D769,617 S * 10/2016 Martin D3/269
 D776,354 S * 1/2017 Schlatter D28/85
 D777,985 S * 1/2017 Schlatter D28/85
 D780,570 S * 3/2017 Bard D9/420
 D793,855 S * 8/2017 Levy D9/420
 D797,886 S * 9/2017 Parisi D21/510
 D805,914 S * 12/2017 Jackman D9/636
 D809,777 S * 2/2018 Lee D3/202
 D810,205 S * 2/2018 Jung D21/472
 D810,571 S * 2/2018 Bartoli D9/502
 D814,872 S * 4/2018 Allers D7/545
 D820,079 S * 6/2018 Caly D9/420
 10,080,979 B2 9/2018 Lane
 2005/0249835 A1 11/2005 Racunas
 2008/0072510 A1 3/2008 Wells et al.

2008/0251687 A1 10/2008 Taufield
 2014/0182226 A1 7/2014 Habodasz
 2018/0207542 A1* 7/2018 Lane A63H 33/32

OTHER PUBLICATIONS

<https://createacastle.com/collections/create-a-castle-master-collection> (Year: 2019).
 Screenshots of webpages at Can You Dig it Sand Tools (sandtools.com), downloaded Apr. 17, 2018, 5 pages.
 Screenshots of webpage and product images at <https://uedata.amazon.com/PSE-Create-A-Castle-Beach-Builder-Set/dp/B00R4UVCWO>, downloaded Apr. 17, 2018, 9 pages.
 Written Opinion for PCT/US18/14293 dated May 3, 2018; 10 pps.
 International Search Report for PCT/US18/14293 dated May 3, 2018; 4 pps.
 Office Action for U.S. Appl. No. 15/874,877 dated Mar. 22, 2018; 14 pps.
 Notice of Allowance for U.S. Appl. No. 15/874,877 dated May 16, 2018; 5 pps.
 Notice of Allowance for U.S. Appl. No. 15/874,877 dated Jul. 18, 2018; 4 pps.
 Office Action for U.S. Appl. 29/630,909 dated Mar. 13, 2019, 5 pps.
 Office Action for U.S. Appl. No. 29/630,914 dated Apr. 18, 2019; 4 pps.
 Notice of Allowance for U.S. Appl. No. 29/630,914 dated Sep. 23, 2019; 8 pps.
 Webpage at <https://createacastle.com/collections/create-a-castle-master-collection>, downloaded Sep. 25, 2019.
 Notice of Allowance for U.S. Appl. No. 29/630,909 dated Jan. 8, 2020; 5 pps.

* cited by examiner

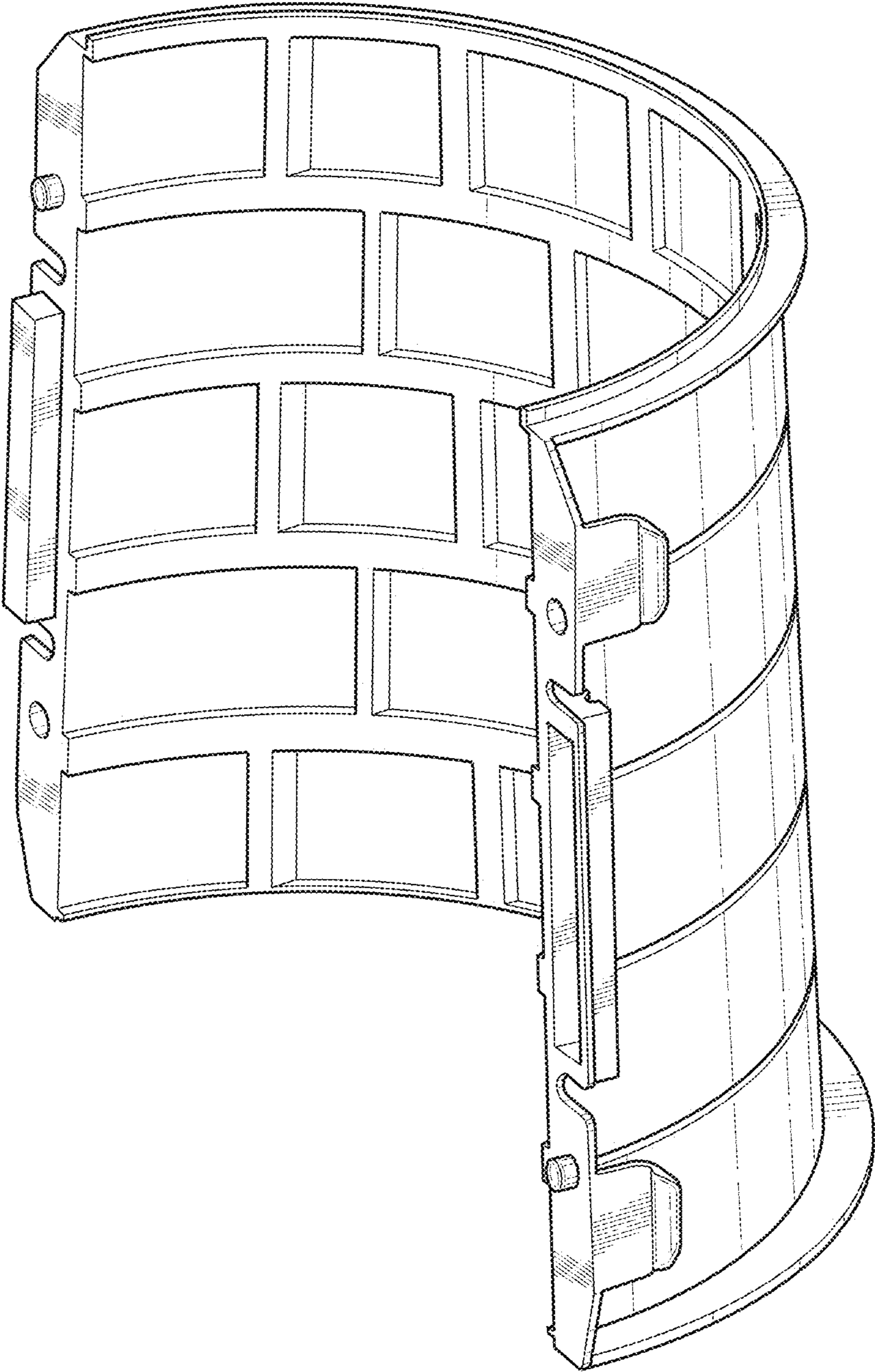


FIG. 1

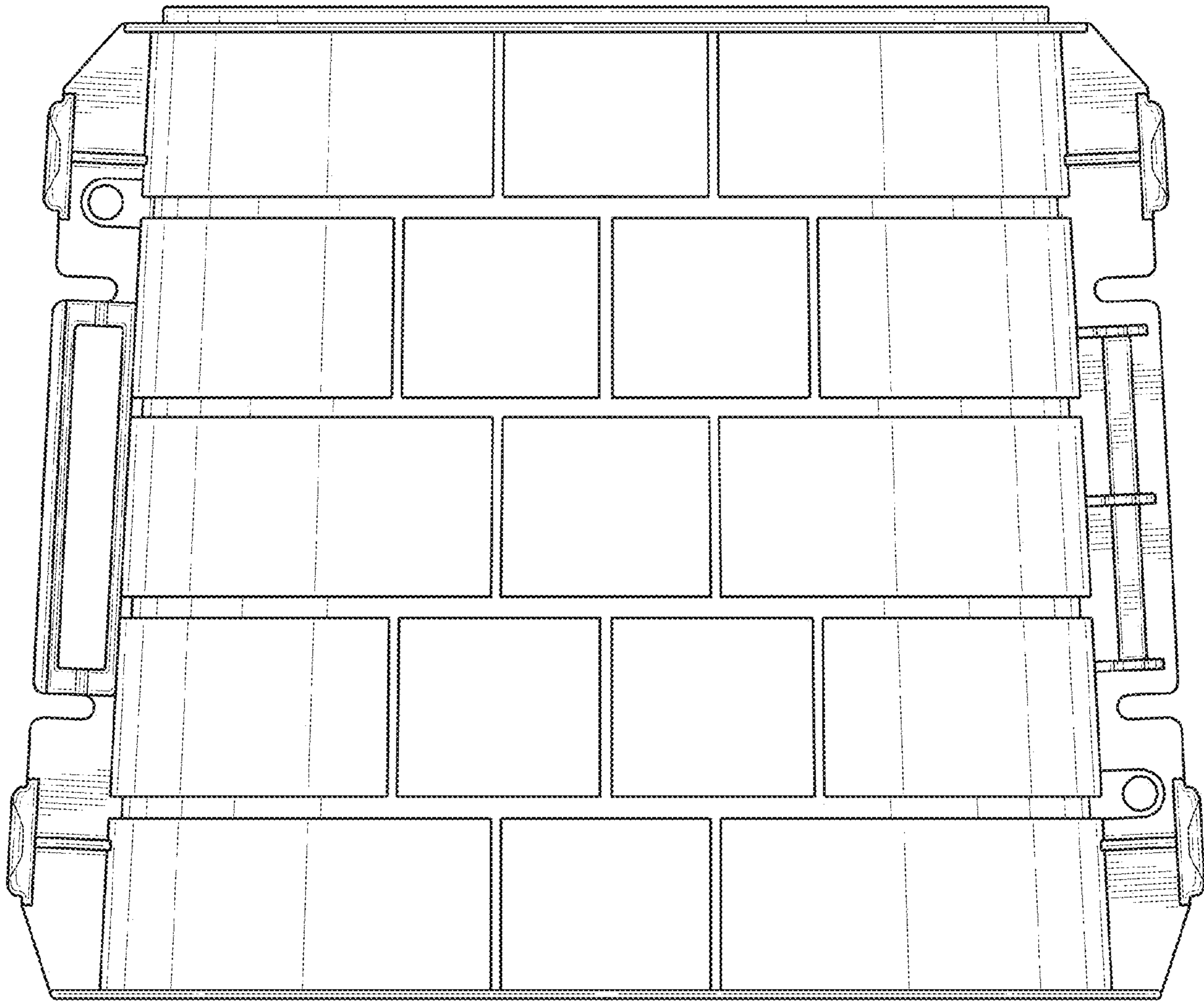


FIG. 2

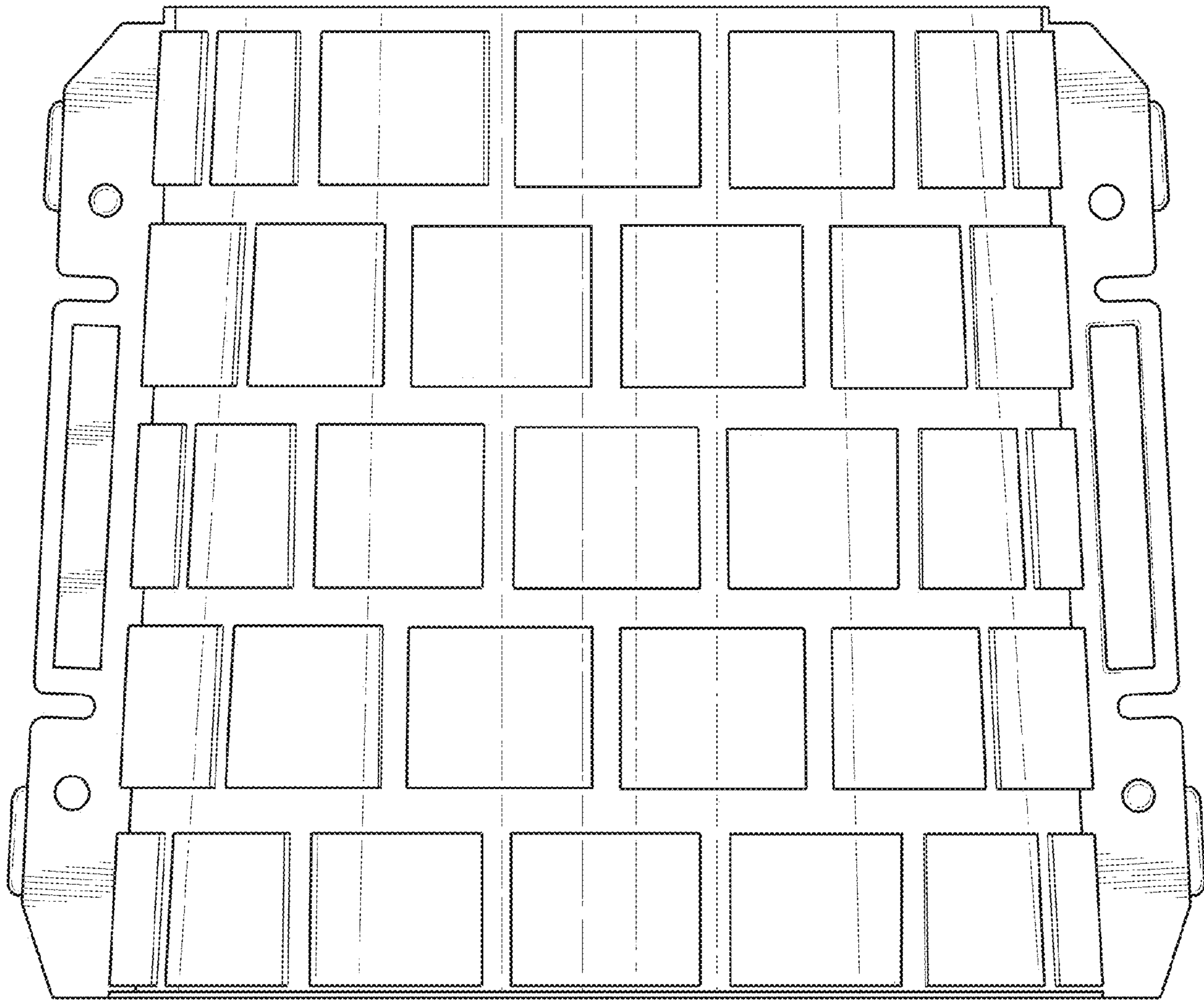


FIG. 3

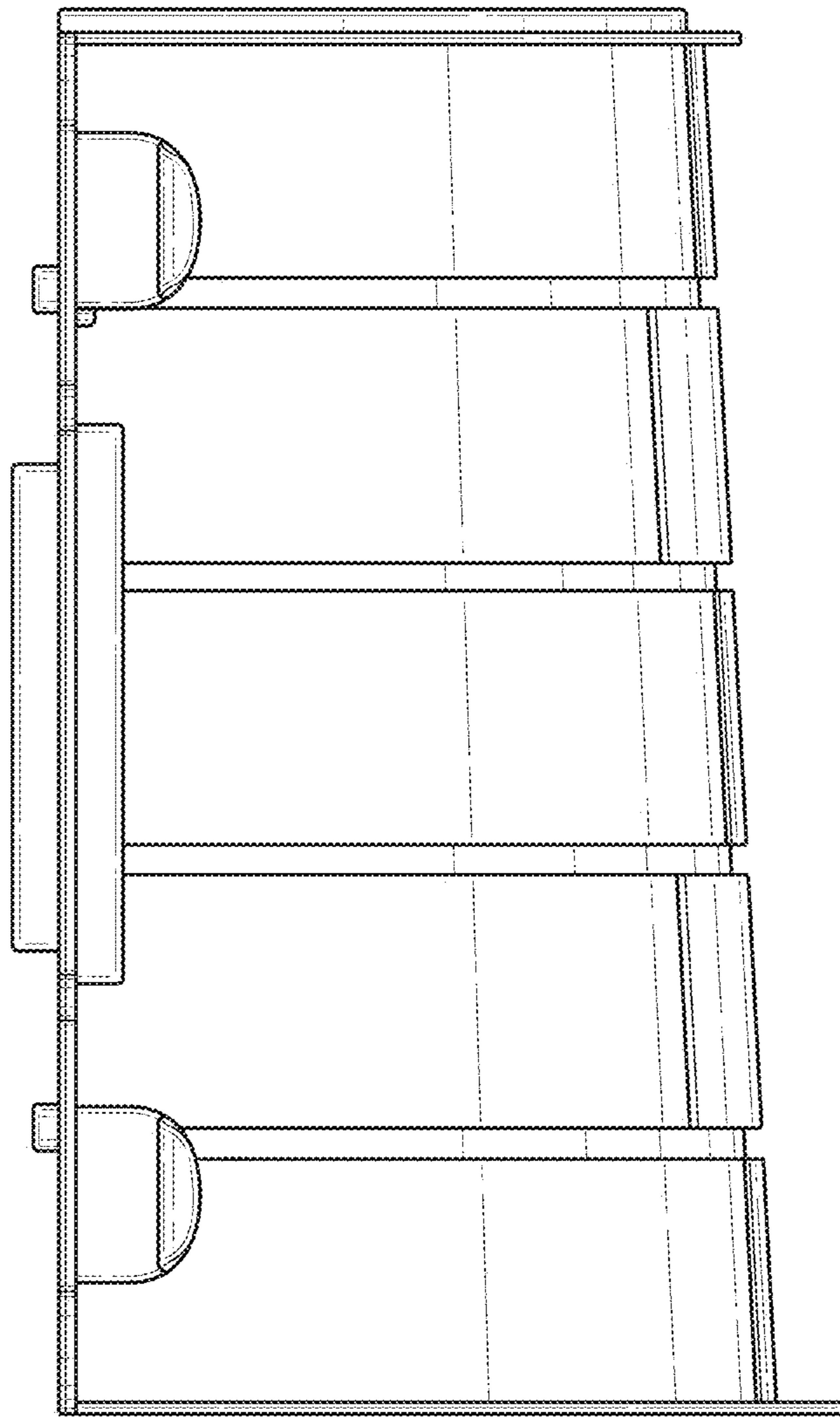


FIG. 4

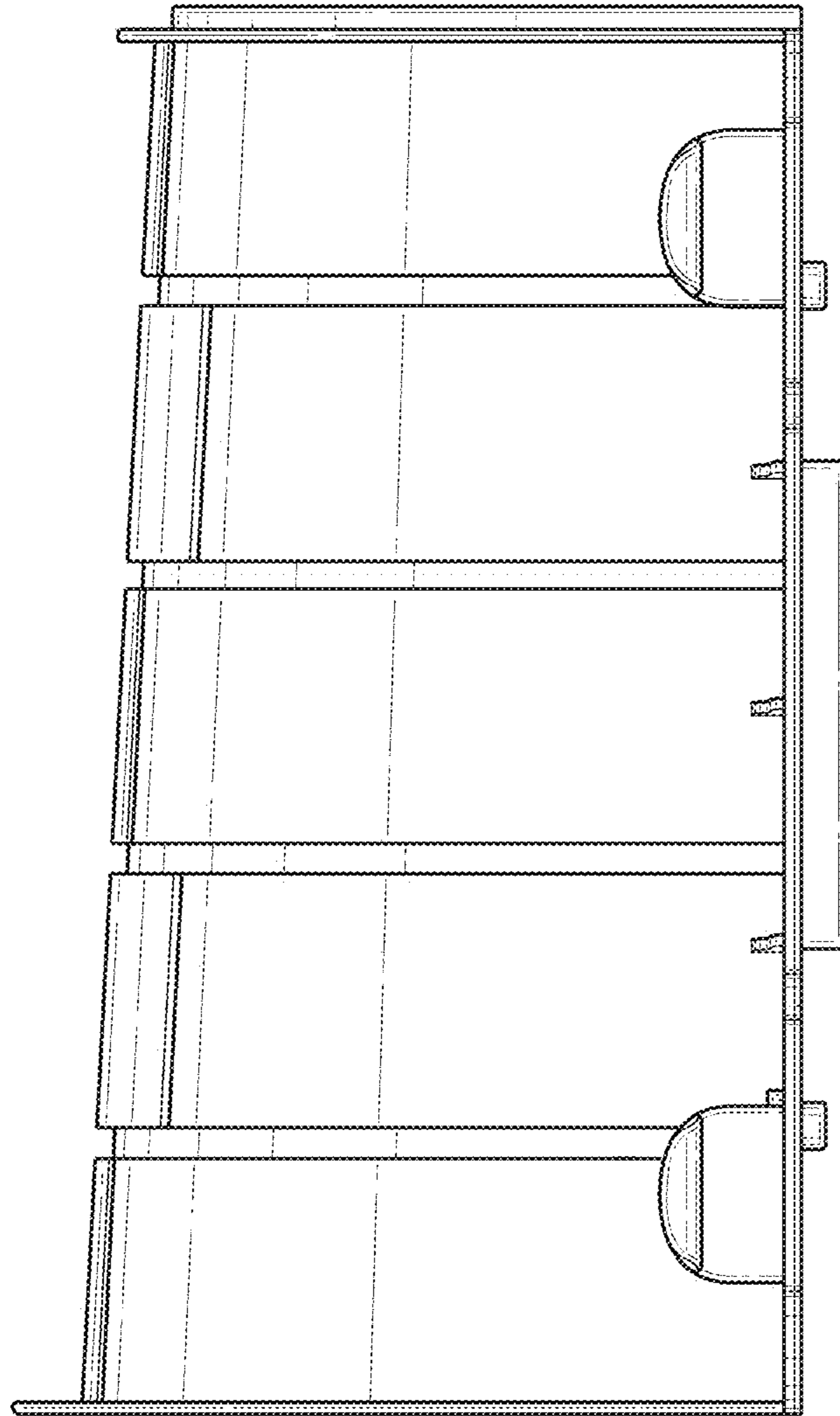


FIG. 5

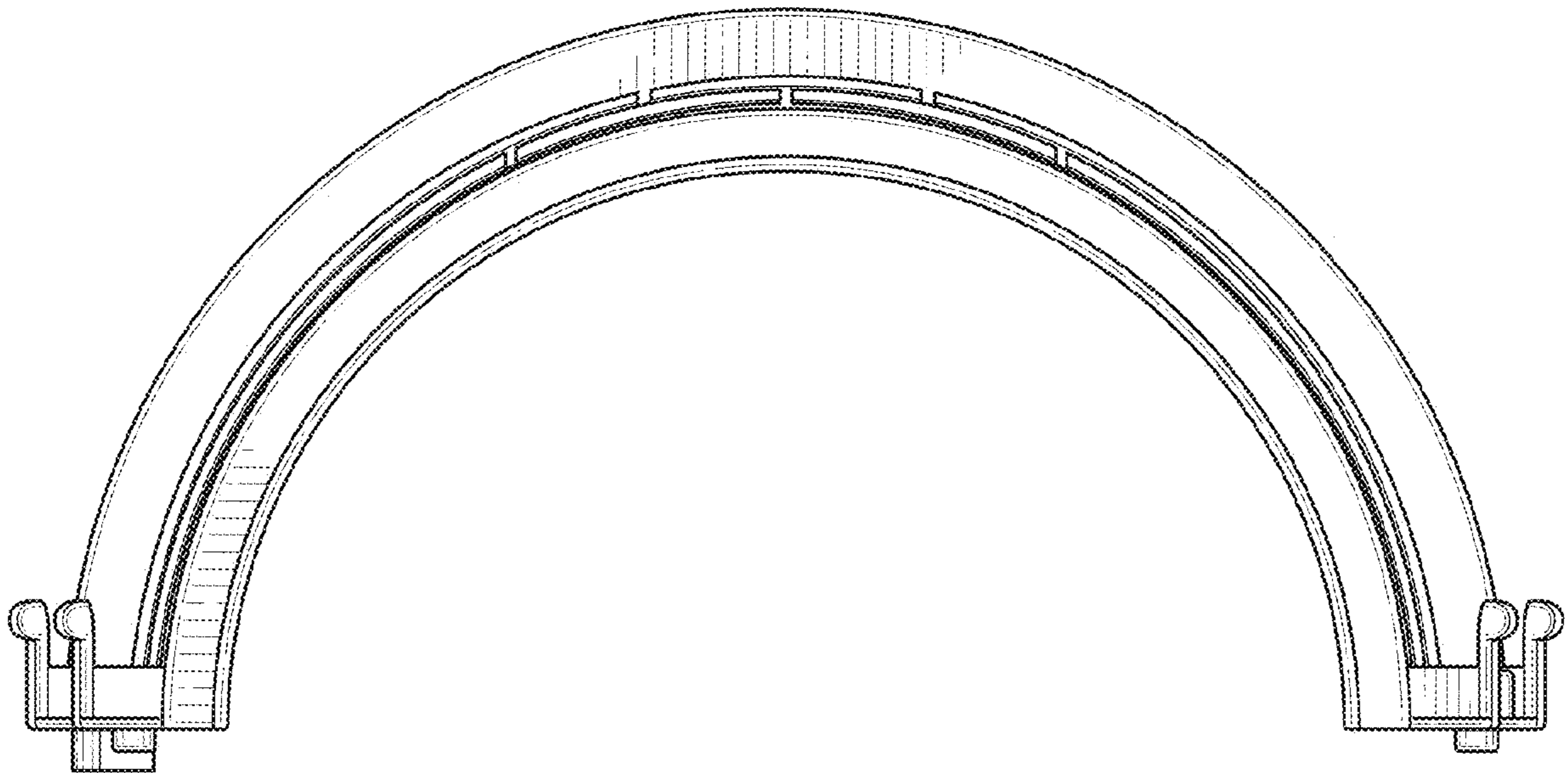


FIG. 6

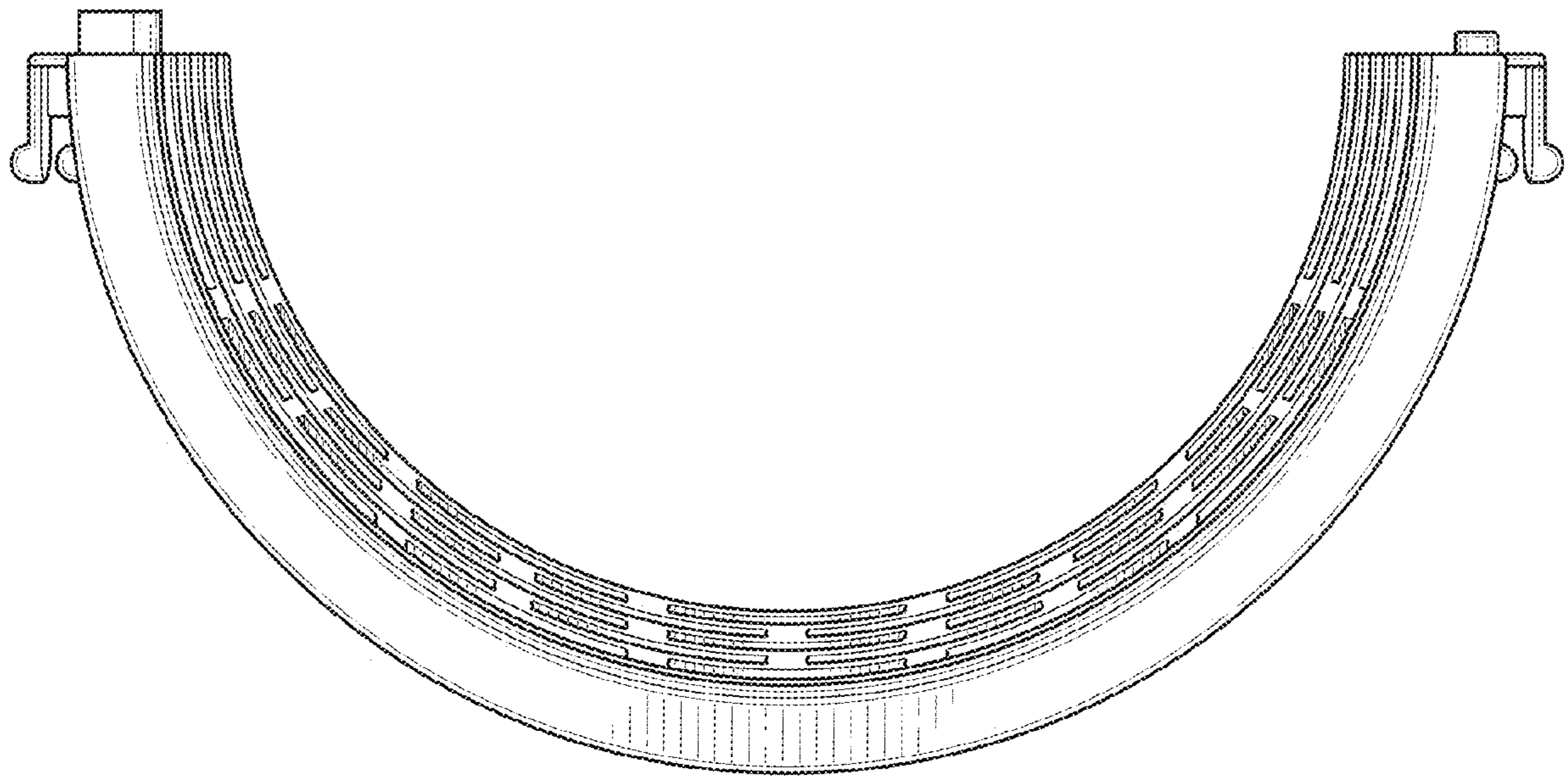


FIG. 7