



US00D884087S

(12) **United States Design Patent** (10) **Patent No.:** **US D884,087 S**
Gillenwater (45) **Date of Patent:** **** May 12, 2020**

(54) **BATHTUB TOY FASTENER**
(71) Applicant: **Jill Kiplyn Gillenwater**, Cathedral City, CA (US)
(72) Inventor: **Jill Kiplyn Gillenwater**, Cathedral City, CA (US)
(**) Term: **15 Years**
(21) Appl. No.: **29/616,205**
(22) Filed: **Sep. 4, 2017**
(51) **LOC (12) Cl.** **21-01**
(52) **U.S. Cl.**
USPC **D21/473**
(58) **Field of Classification Search**
USPC D21/473; D6/320, 524, 525, 535, 536, D6/537, 540, 542, 545, 550-574, 718.25, D6/718.26; D32/39, 54, 55, 58, 65, D32/68-73; D8/354; D7/619.1, 619.2, D7/622, 708; 248/205.3, 205.5
CPC A47I 9/00; A47I 9/32; A47K 5/18
See application file for complete search history.

8,950,715 B2 * 2/2015 Chiu F16M 11/041 248/126
D762,397 S * 8/2016 Goodman D6/537
D779,949 S * 2/2017 Merz D9/454
9,737,778 B2 * 8/2017 Keller A63B 69/0059
D800,509 S * 10/2017 Rummel D7/622
D811,122 S * 2/2018 Goodman D6/553
D812,986 S * 3/2018 Seiders D7/622
D847,584 S * 5/2019 Goodworth D7/622
D853,797 S * 7/2019 Renner D7/622
2003/0201369 A1 * 10/2003 Dretzka F16B 47/00 248/206.2
2006/0183397 A1 * 8/2006 Kanahela A63H 33/006 446/26

* cited by examiner

Primary Examiner — Sandra S Snapp
Assistant Examiner — Mehri F Bajoul
(74) *Attorney, Agent, or Firm* — Mestechkin Law Group P.C.

(57) **CLAIM**

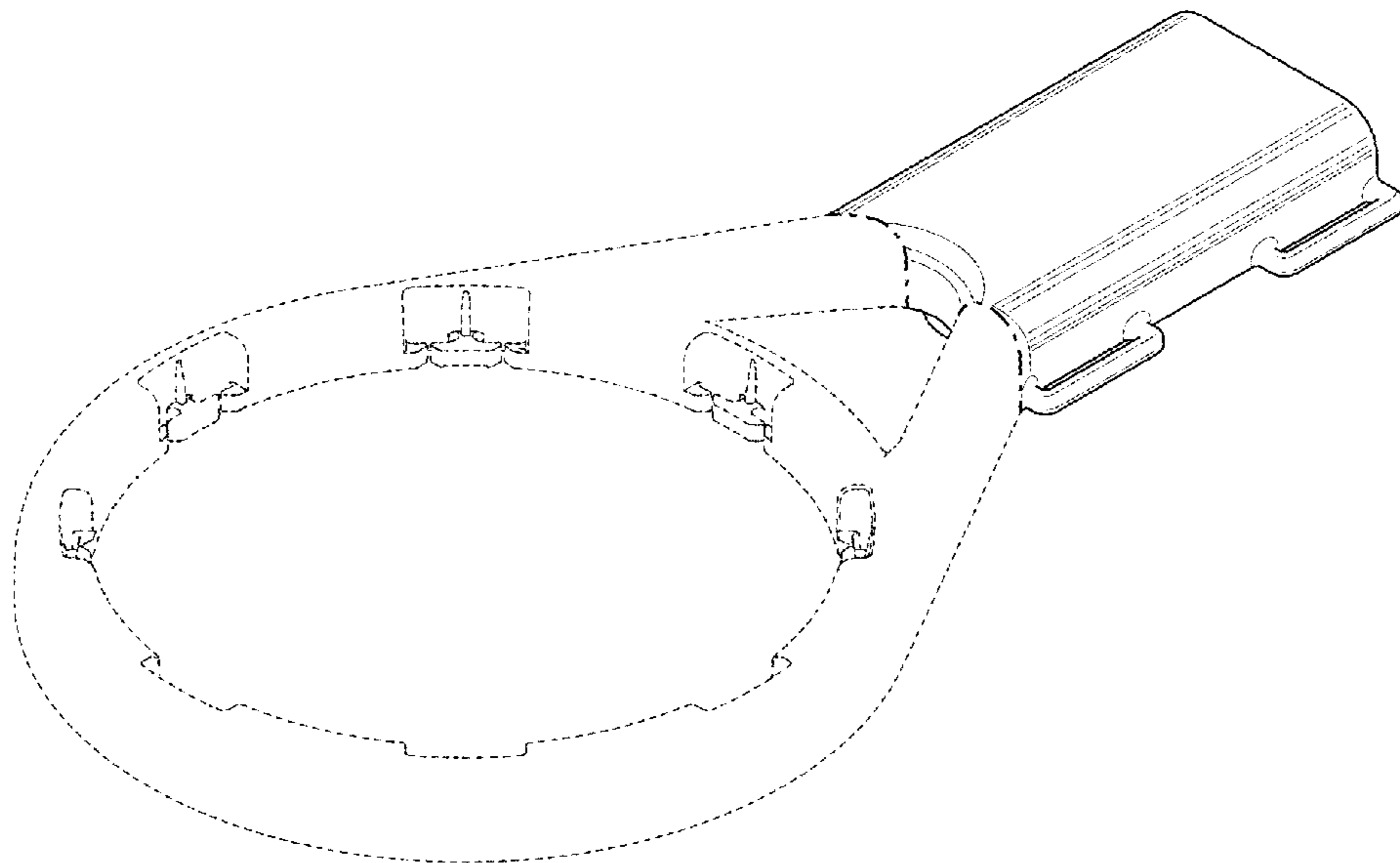
The ornamental design for a bathtub toy fastener, as shown and described.

DESCRIPTION

FIG. 1 is a top front isometric view of the bathtub toy fastener according to one embodiment of my new design; FIG. 2 is a bottom isometric view thereof; FIG. 3 is a front view thereof; FIG. 4 is a rear view thereof; FIG. 5 is a right side view thereof; FIG. 6 is a left side view thereof; FIG. 7 is a top view thereof; and, FIG. 8 is a bottom view thereof. In the drawings, the even dash-dash broken lines depicts portions of the bathtub toy fastener that forms no part of the claimed design. The long-short broken lines depict the boundary of the claim that form no part of the claimed design.

1 Claim, 6 Drawing Sheets

(56) **References Cited**
U.S. PATENT DOCUMENTS
5,039,046 A * 8/1991 Brewster A47F 7/28 248/105
D371,735 S * 7/1996 Motta D6/535
5,762,305 A * 6/1998 Lee A45B 11/00 248/205.5
5,911,394 A * 6/1999 Lee F16B 47/00 248/205.5
D412,938 S * 8/1999 Kesselring D20/28
D428,744 S * 8/2000 Patel D6/525
D447,012 S * 8/2001 Owens D7/620
D451,326 S * 12/2001 Gottwald D6/524
D472,748 S * 4/2003 Walker D6/525
D595,565 S * 7/2009 Robertson D8/354
D626,409 S * 11/2010 Hooley D7/622



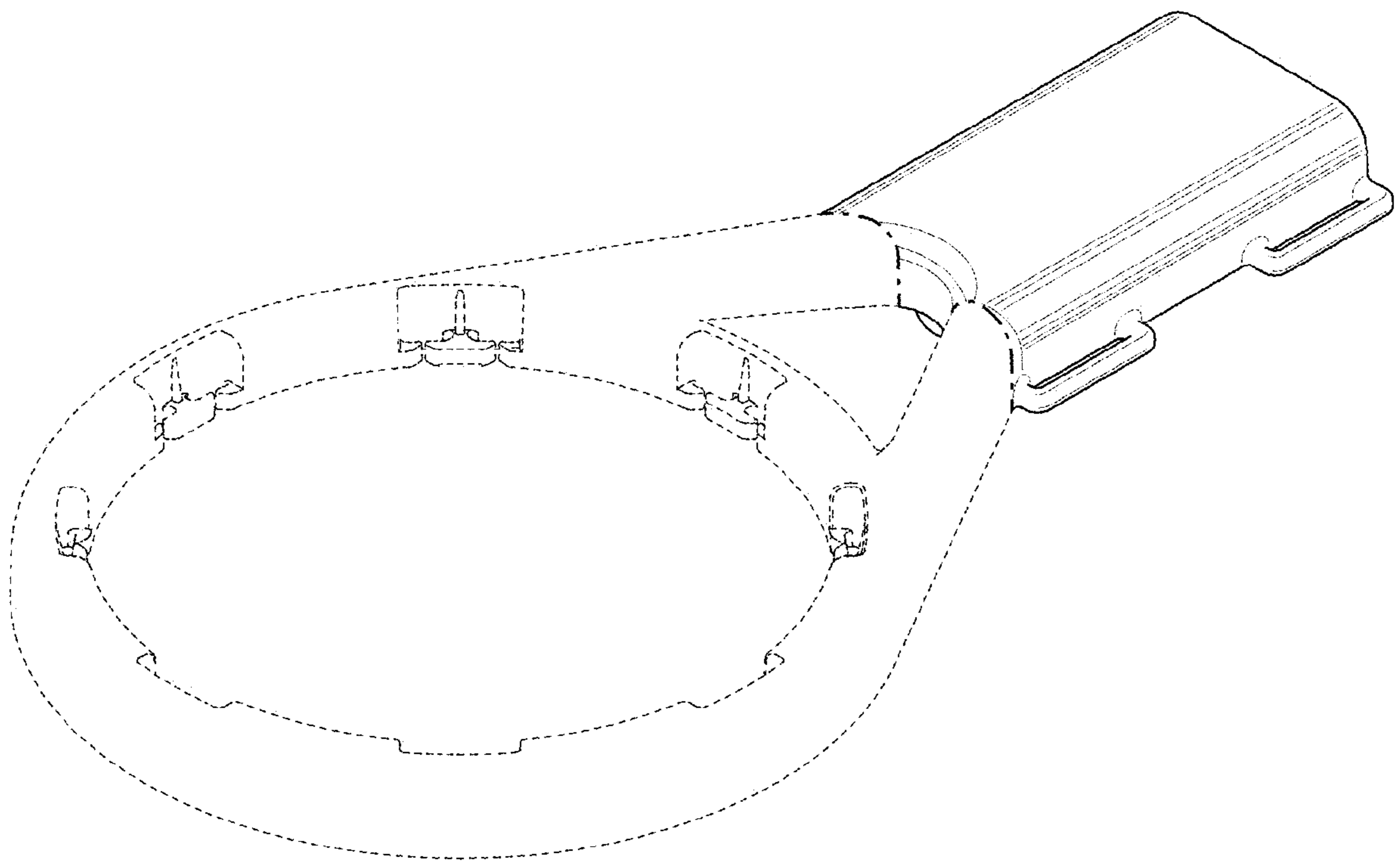


FIG. 1

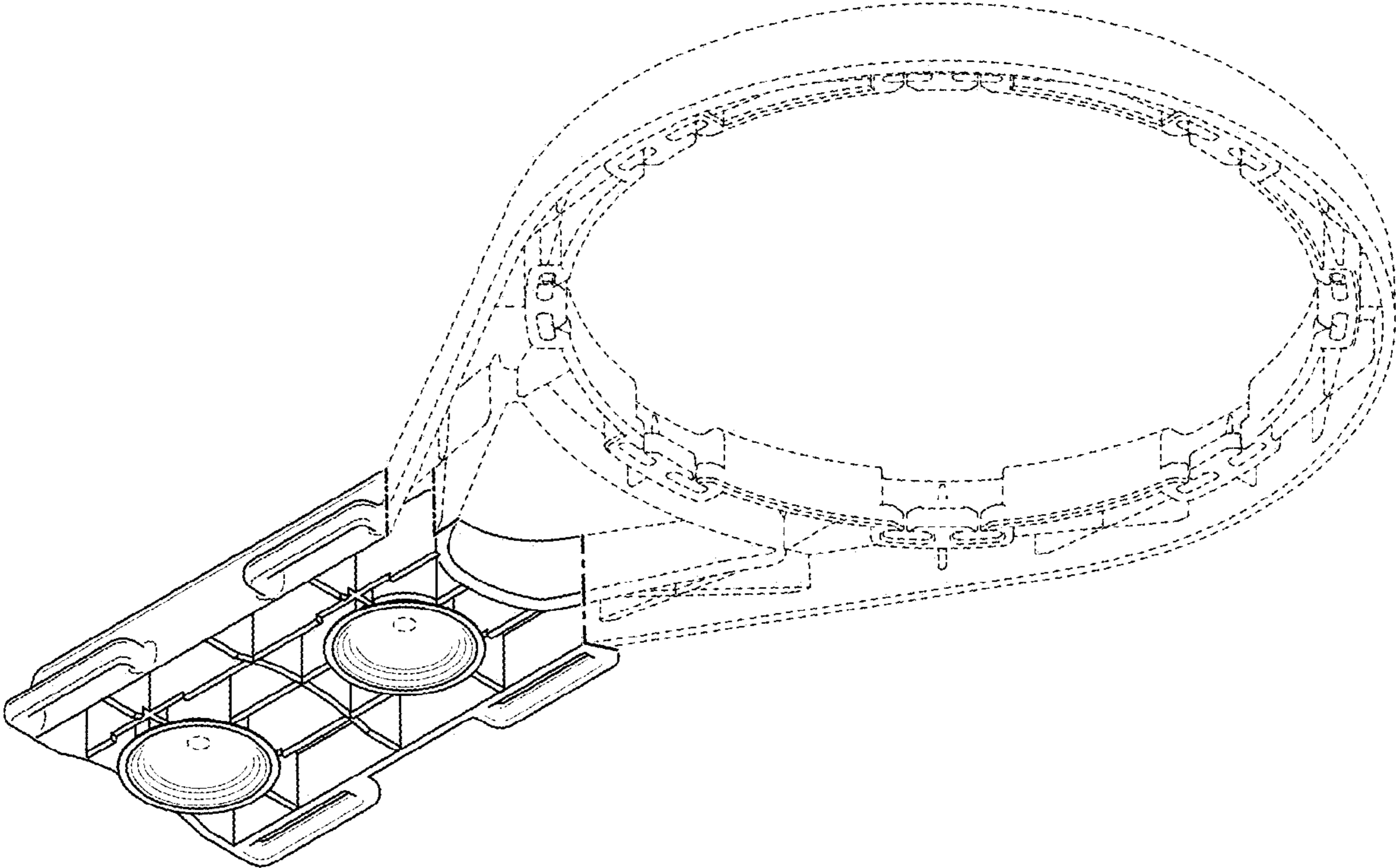


FIG. 2

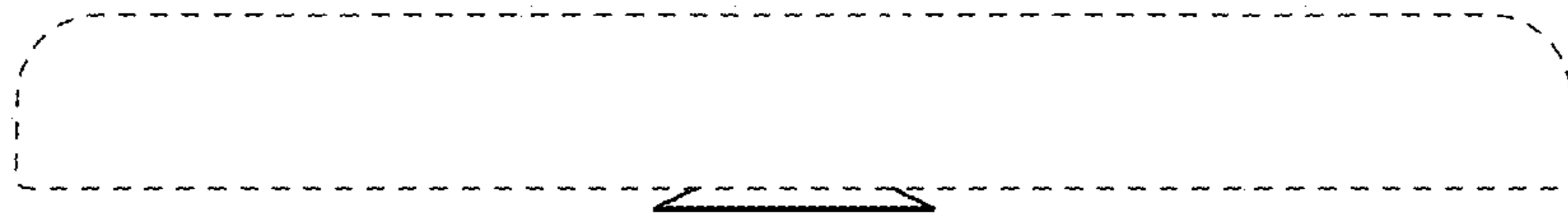


FIG. 3

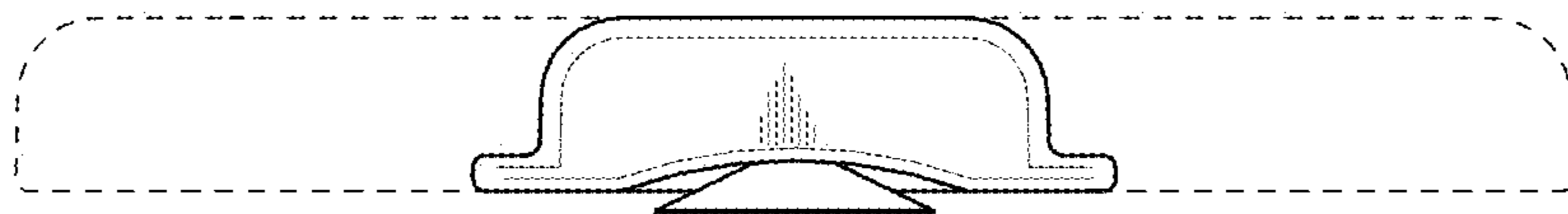


FIG. 4

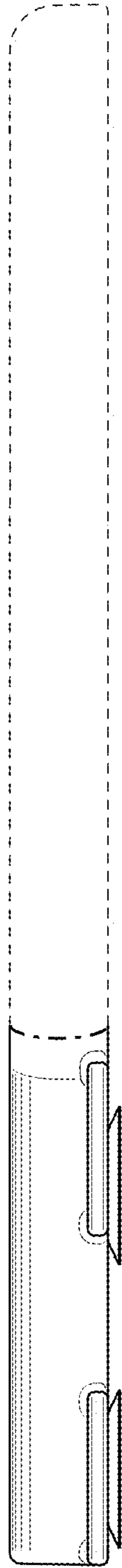


FIG. 5

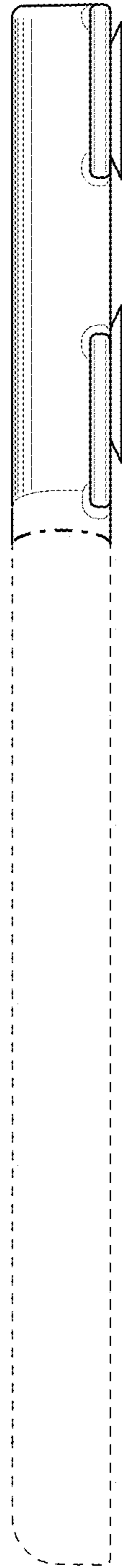


FIG. 6

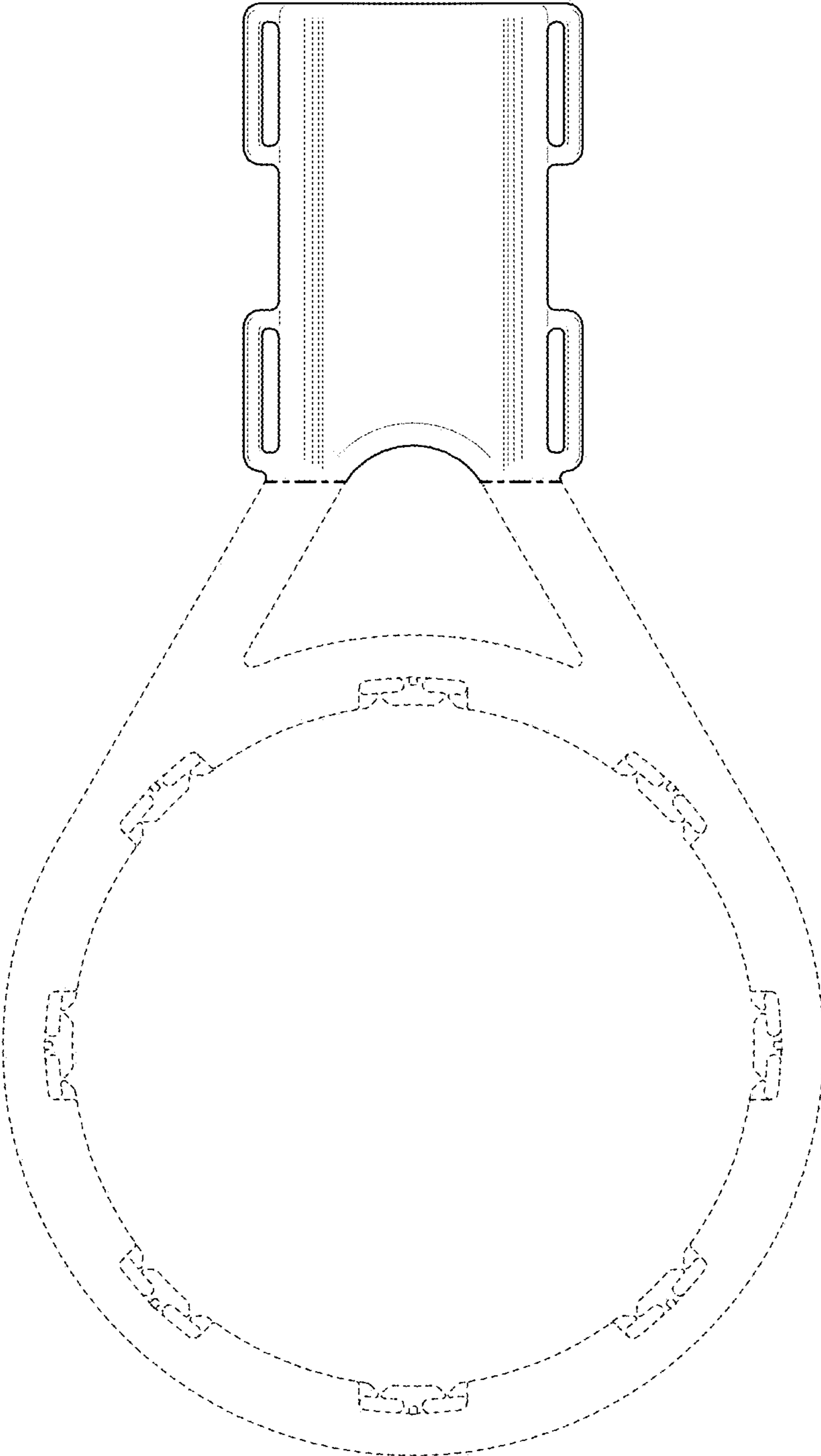


FIG. 7

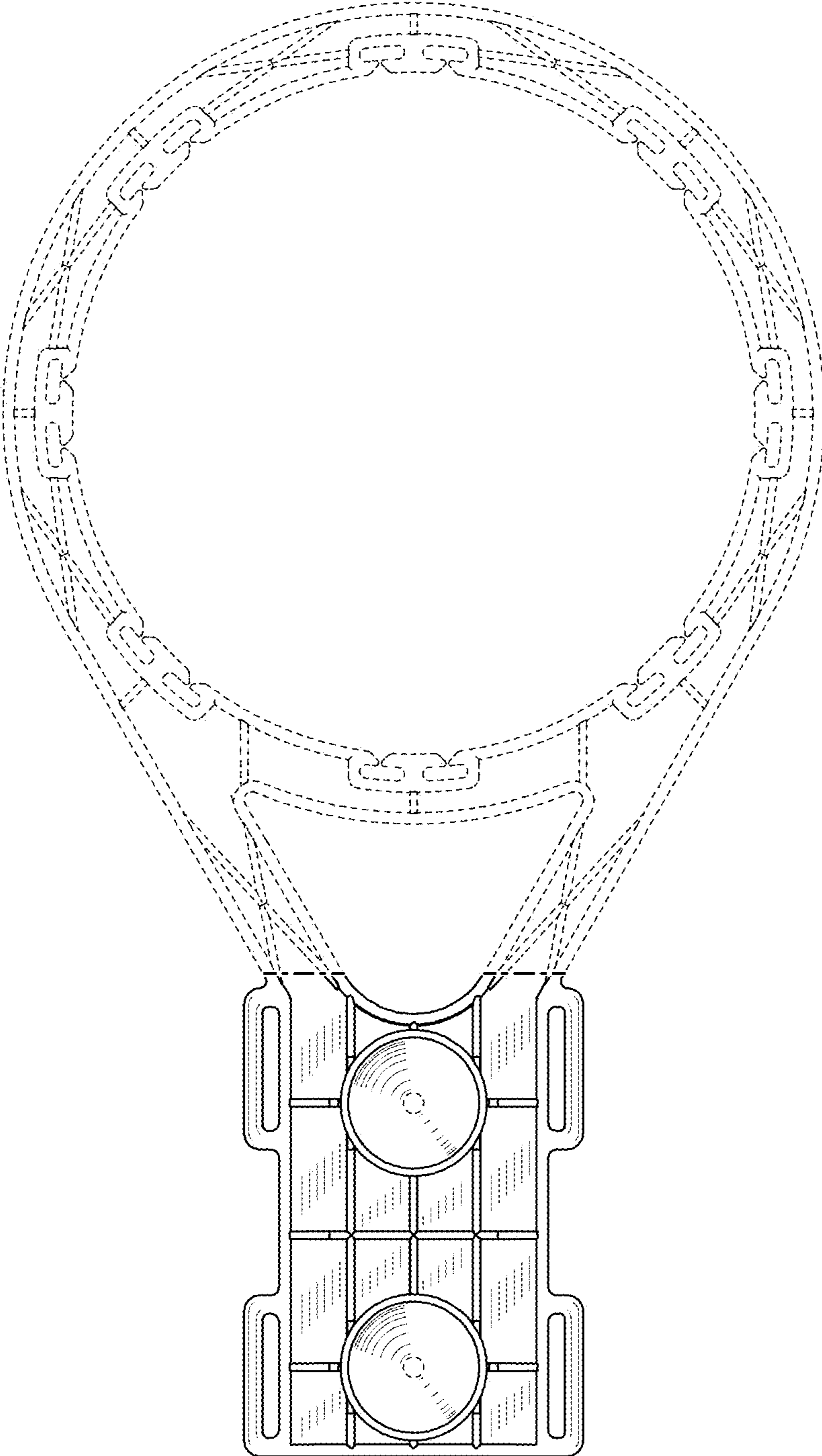


FIG. 8