



US00D884078S

(12) **United States Design Patent**  
**Hama et al.**

(10) **Patent No.:** **US D884,078 S**  
(45) **Date of Patent:** **\*\* May 12, 2020**

(54) **PLAYING SURFACE FOR SPINNING TOP TOY**

D9/758-761, 414, 424-433, 456, 499;  
D30/121, 129-133; D11/143, 144, 152,  
D11/153, 155, 156, 164; 47/65, 65.5,  
47/65.6, 66.7, 71, 73-75, 39; 473/569;  
463/69

(71) Applicant: **TOMY COMPANY, LTD.**, Tokyo (JP)

(72) Inventors: **Hiroyuki Hama**, Tokyo (JP); **Shina Saito**, Tokyo (JP); **Douglas Arthur Schultheis**, Cumberland, RI (US); **Luke Christopher Lohan**, Abington, MA (US); **Michelino Paolino, Jr.**, Rumford, RI (US); **Max J. Sackett**, Warwick, RI (US)

CPC .... A63F 3/00; A63F 3/00003; A63F 3/00028;  
A63F 3/00041; A63F 3/00044; A63F  
3/00047; A63F 3/00173; A63F 3/00176;  
(Continued)

(73) Assignee: **TOMY COMPANY, LTD.**, Tokyo (JP)

(\*\*) Term: **15 Years**

(21) Appl. No.: **29/667,977**

(22) Filed: **Oct. 26, 2018**

(51) **LOC (12) Cl.** ..... **21-01**

(52) **U.S. Cl.**  
USPC ..... **D21/338**; D21/461

(58) **Field of Classification Search**  
USPC ..... D21/334, 336-342, 355-359, 365, 318,  
D21/397, 312, 314, 320, 362, 366, 367,  
D21/385, 455, 456, 460, 461, 484,  
D21/491-501, 561, 564; 273/242,  
273/244-247, 259, 277, 287, 317.3,  
273/108.1, 108.5, 118 D, 236-240, 283,  
273/309, 441, 461, 108.2, 108.3, 113,  
273/115, 116, 241, 280, 282.1, 282.2,  
273/282.3, 289, 148 R, 440, 444, 450,  
273/453, 459, 109, 110, 108; D6/406.1,  
D6/406.3, 406.4, 406.6; D19/86, 92, 95,  
D19/87, 113, 75, 77, 78, 80; 108/14, 62,  
108/43, 67; 434/416, 247, 248, 251, 408,  
434/413, 145, 430; 446/82, 168, 236,  
446/256, 257, 259, 262, 263, 491;  
D7/538-550.1, 552.2, 553.1-553.8,  
D7/554.1-554.4, 558, 584-588, 601, 602,  
D7/359, 354, 356; D9/737, 756,

(56) **References Cited**

U.S. PATENT DOCUMENTS

581,365 A \* 4/1897 Parker ..... A63F 7/044  
273/113  
2,083,119 A \* 6/1937 Hense ..... A63F 5/0088  
273/119 R

(Continued)

*Primary Examiner* — Susan Moon Lee

(74) *Attorney, Agent, or Firm* — Oliff PLC

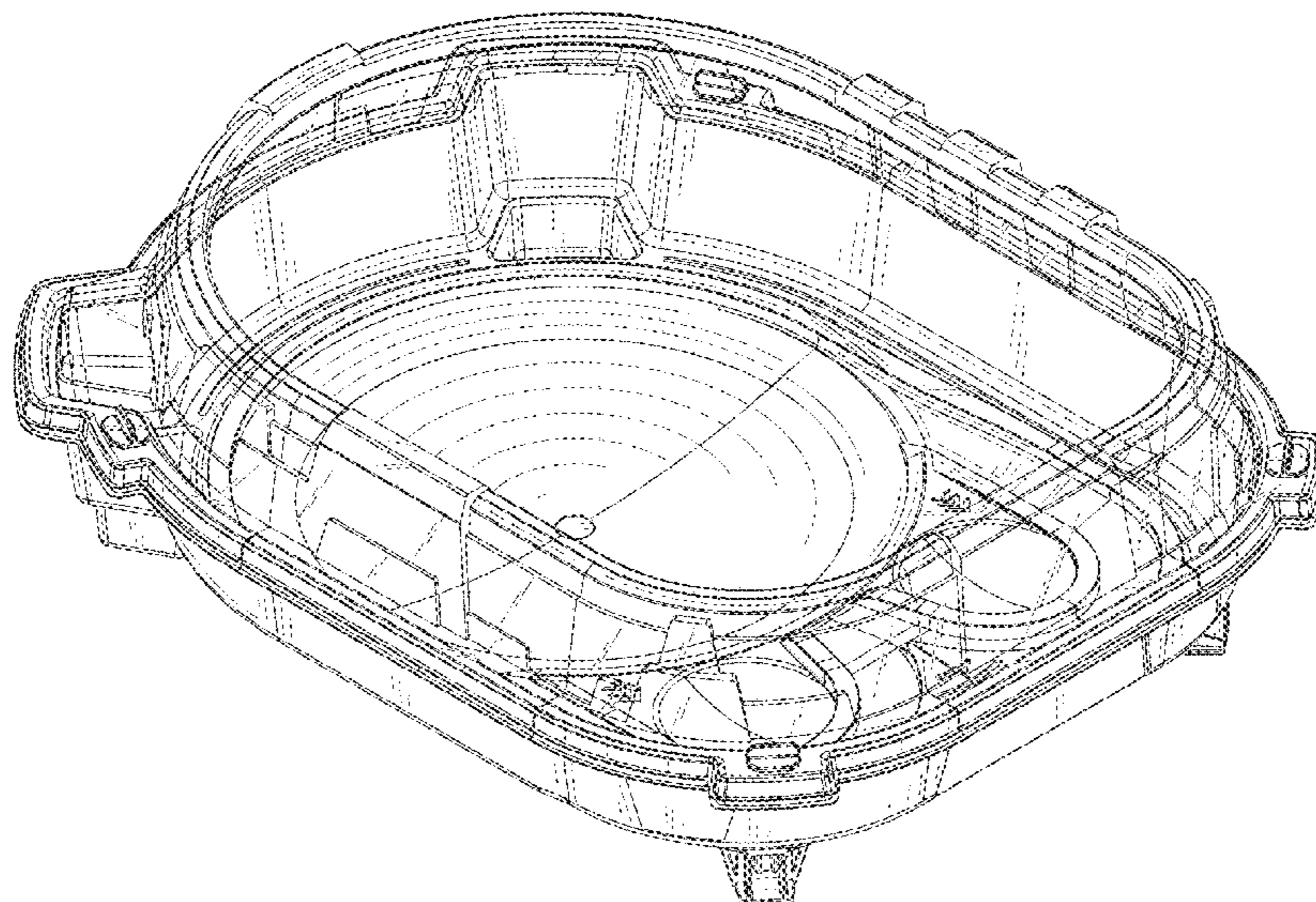
(57) **CLAIM**

The ornamental design for a playing surface for spinning top toy, as shown and described.

**DESCRIPTION**

FIG. 1 is a front elevational view of the playing surface for spinning top toy;  
FIG. 2 is a rear elevational view thereof;  
FIG. 3 is a left-side elevational view thereof;  
FIG. 4 is a right-side elevational view thereof;  
FIG. 5 is a top plan view thereof;  
FIG. 6 is a bottom plan view thereof;  
FIG. 7 is a front, right-side, top perspective view thereof;  
FIG. 8 is a front, right-side, top disassembled perspective view thereof; and,  
FIG. 9 is a rear, left-side, bottom disassembled perspective view thereof.

**1 Claim, 9 Drawing Sheets**



(58) **Field of Classification Search**

CPC ..... A63F 3/00214; A63F 3/00261; A63F 3/00643; A63F 3/00646-00659; A63F 3/04; A63F 2003/00182; A63F 2003/00223; A63F 2003/00457; A63F 2003/0046; A63F 2003/00463; A63F 2003/00466; A63F 2003/0047; A63F 2003/00485; A63F 2003/00492; A63F 2003/00507; A63F 2003/00514; A63F 2003/00533; A63F 2003/00552; A63F 2003/00558; A63F 2003/00943; A63F 2003/00946; A63F 2003/00952-00962; A63F 2003/00974; A63F 7/00; A63F 7/06; A63F 7/0612; A63F 7/0604; A63F 7/0616-0636; A63F 7/30; A63F 7/36; A63F 7/005; A63F 7/0017; A63F 7/0023; A63F 2007/0035; A63F 2007/367; A63F 2007/3674; A63F 9/00; A63F 9/16; A63F 2009/165

See application file for complete search history.

(56) **References Cited**

U.S. PATENT DOCUMENTS

3,208,185 A \* 9/1965 Silvera ..... A63F 7/3075  
446/137  
3,643,954 A \* 2/1972 Meyer ..... A63F 9/02  
273/119 A  
3,674,271 A \* 7/1972 De Gelder ..... A63H 1/00  
273/115  
D246,197 S \* 10/1977 Iwanami ..... D21/590  
4,061,334 A \* 12/1977 Kanno ..... A63F 9/02  
273/126 A

4,200,283 A \* 4/1980 Andrews ..... A63F 9/16  
273/108  
4,292,756 A \* 10/1981 Jaworski ..... A63H 1/00  
446/246  
4,332,385 A \* 6/1982 McCaslin ..... A63F 7/041  
273/113  
4,648,602 A \* 3/1987 Maroney ..... A63F 9/0402  
273/146  
4,982,961 A \* 1/1991 Ichimura ..... A63F 9/16  
273/109  
5,415,401 A \* 5/1995 Nagasaka ..... A63F 7/027  
273/109  
5,782,351 A \* 7/1998 Shoptaugh ..... B65D 51/249  
206/315.1  
6,032,827 A \* 3/2000 Zettle ..... B65D 43/0212  
220/784  
D563,102 S \* 3/2008 Cornwell ..... D3/294  
D563,671 S \* 3/2008 Cornwell ..... D3/294  
D606,125 S \* 12/2009 Ujita ..... D21/397  
D606,126 S \* 12/2009 Ujita ..... D21/397  
9,566,532 B1 \* 2/2017 Walterscheid ..... A63H 17/00  
D806,801 S \* 1/2018 Shindo ..... D21/338  
D811,487 S \* 2/2018 Shindo ..... D21/338  
D834,651 S \* 11/2018 Schultheis ..... D21/338  
D838,316 S \* 1/2019 Shindo ..... D21/461  
D859,531 S \* 9/2019 Matsukawa ..... D21/338  
D869,560 S \* 12/2019 Schultheis ..... D21/338  
2003/0199222 A1 \* 10/2003 Matsukawa ..... A63H 1/04  
446/256  
2007/0216090 A1 \* 9/2007 Brown ..... A63F 9/16  
273/108  
2010/0320682 A1 \* 12/2010 Derrah ..... A63F 7/0088  
273/108.1  
2017/0239558 A1 \* 8/2017 Shindo ..... A63H 1/00  
2017/0333783 A1 \* 11/2017 Shindo ..... A63F 9/16  
2019/0184278 A1 \* 6/2019 Campos ..... A63H 1/04

\* cited by examiner

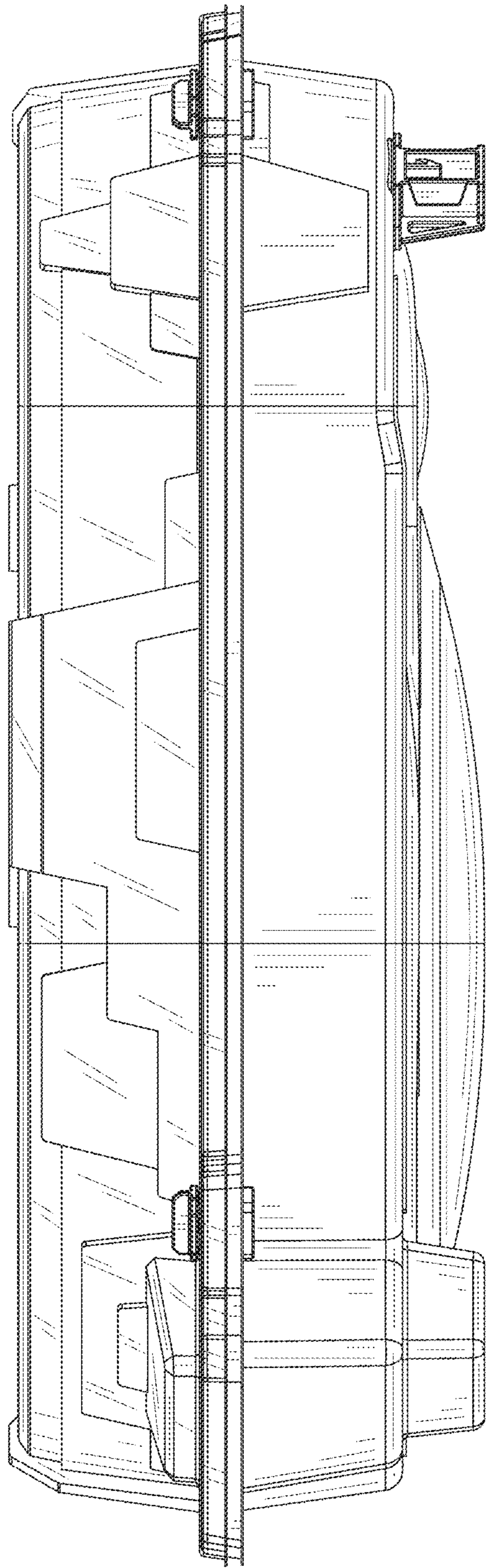


FIG. 1

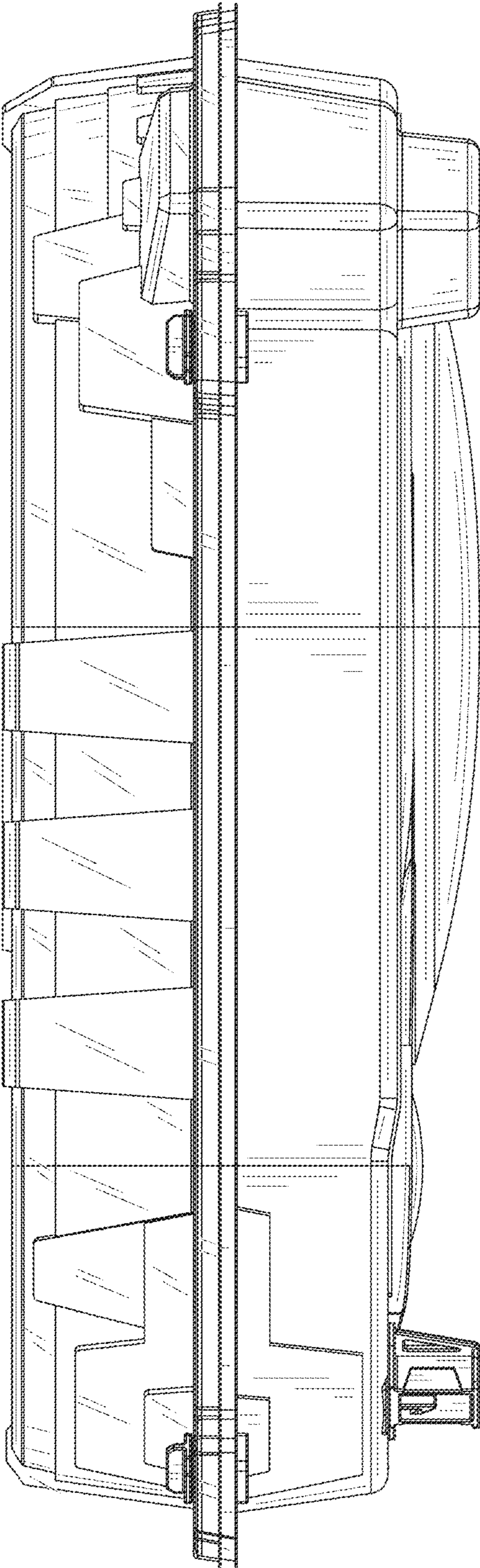


FIG. 2

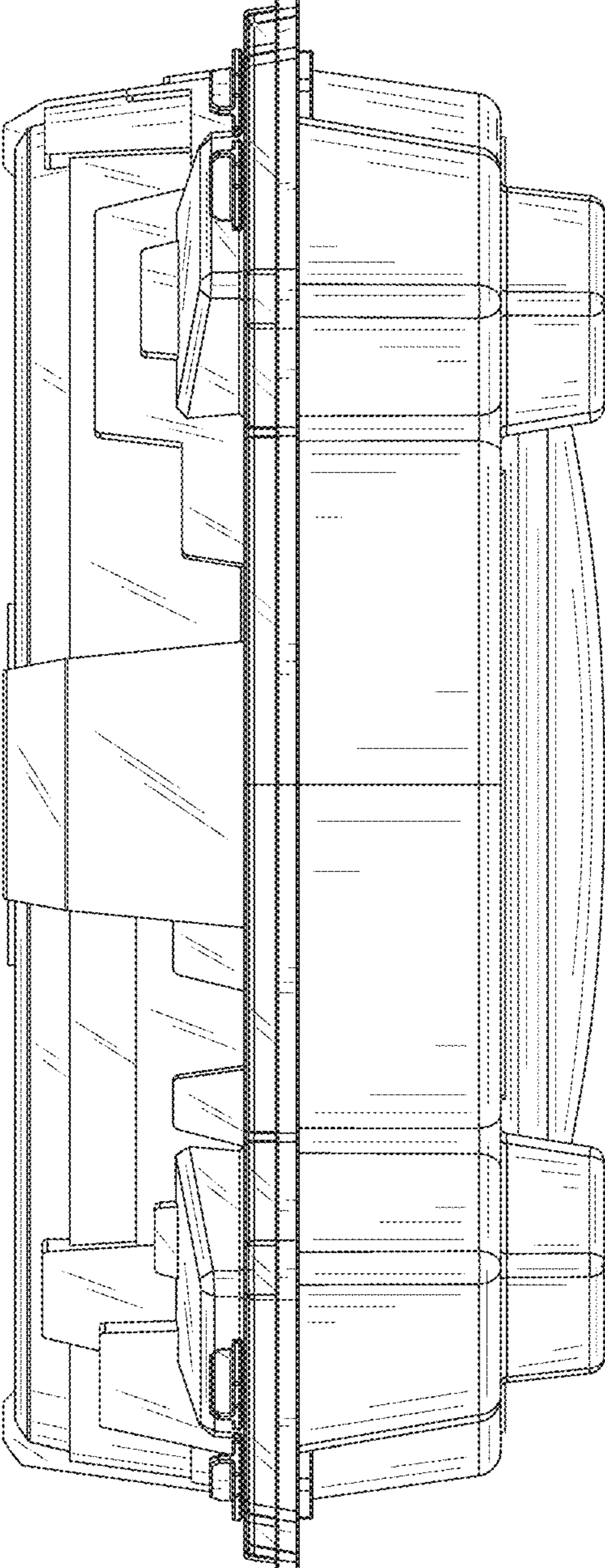


FIG. 3

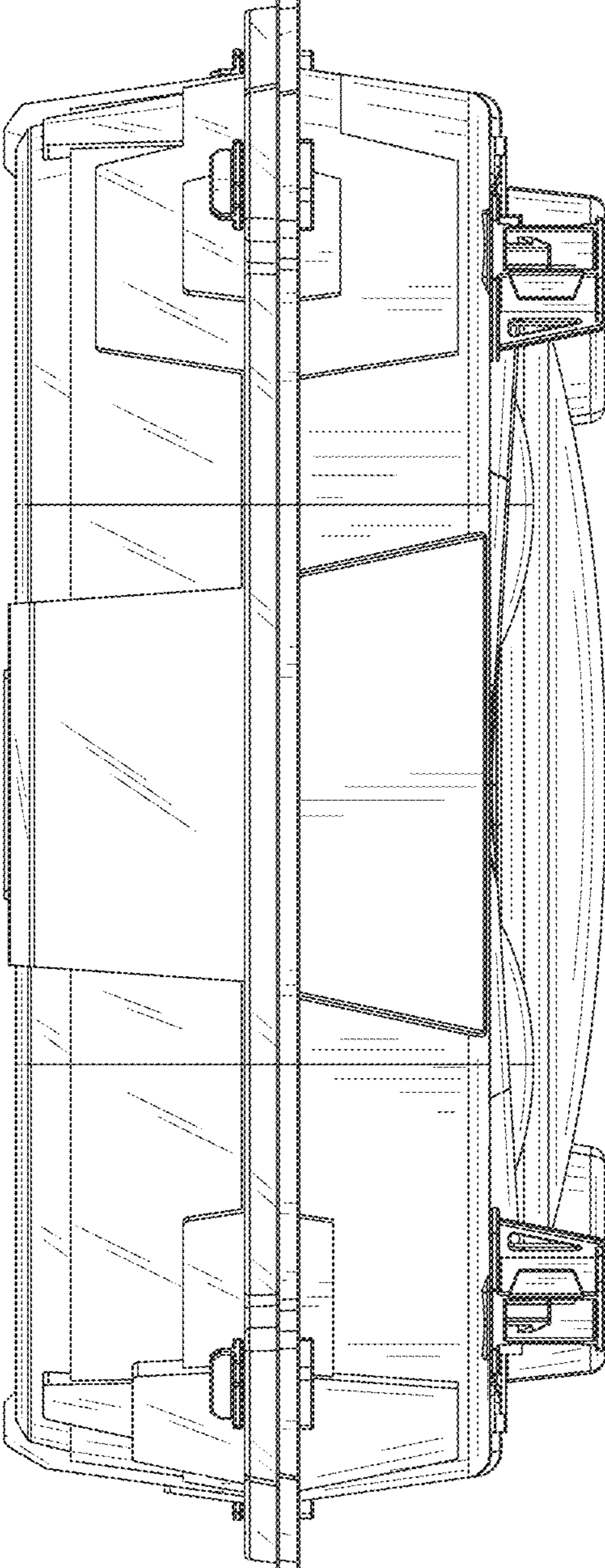


FIG. 4

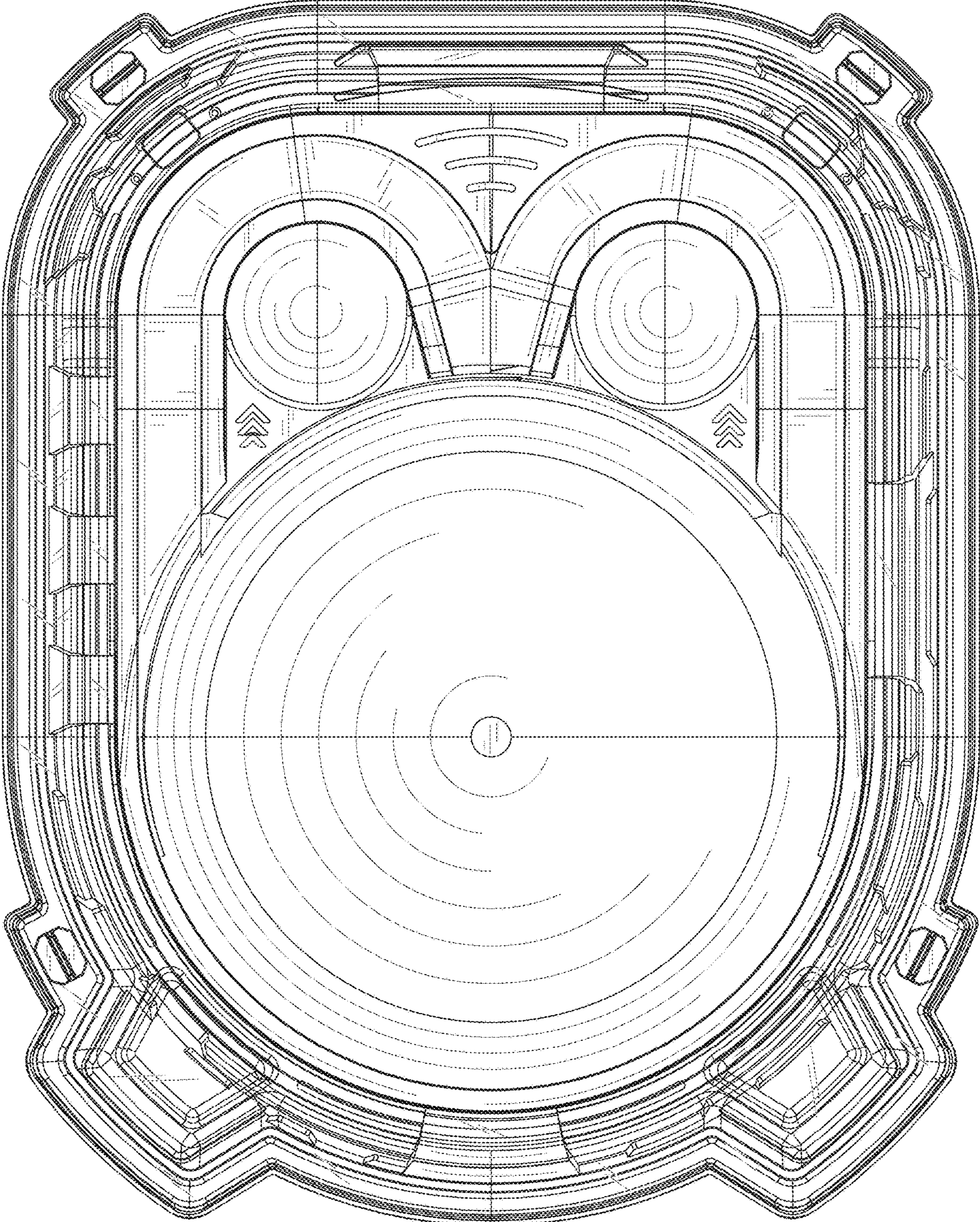


FIG. 5

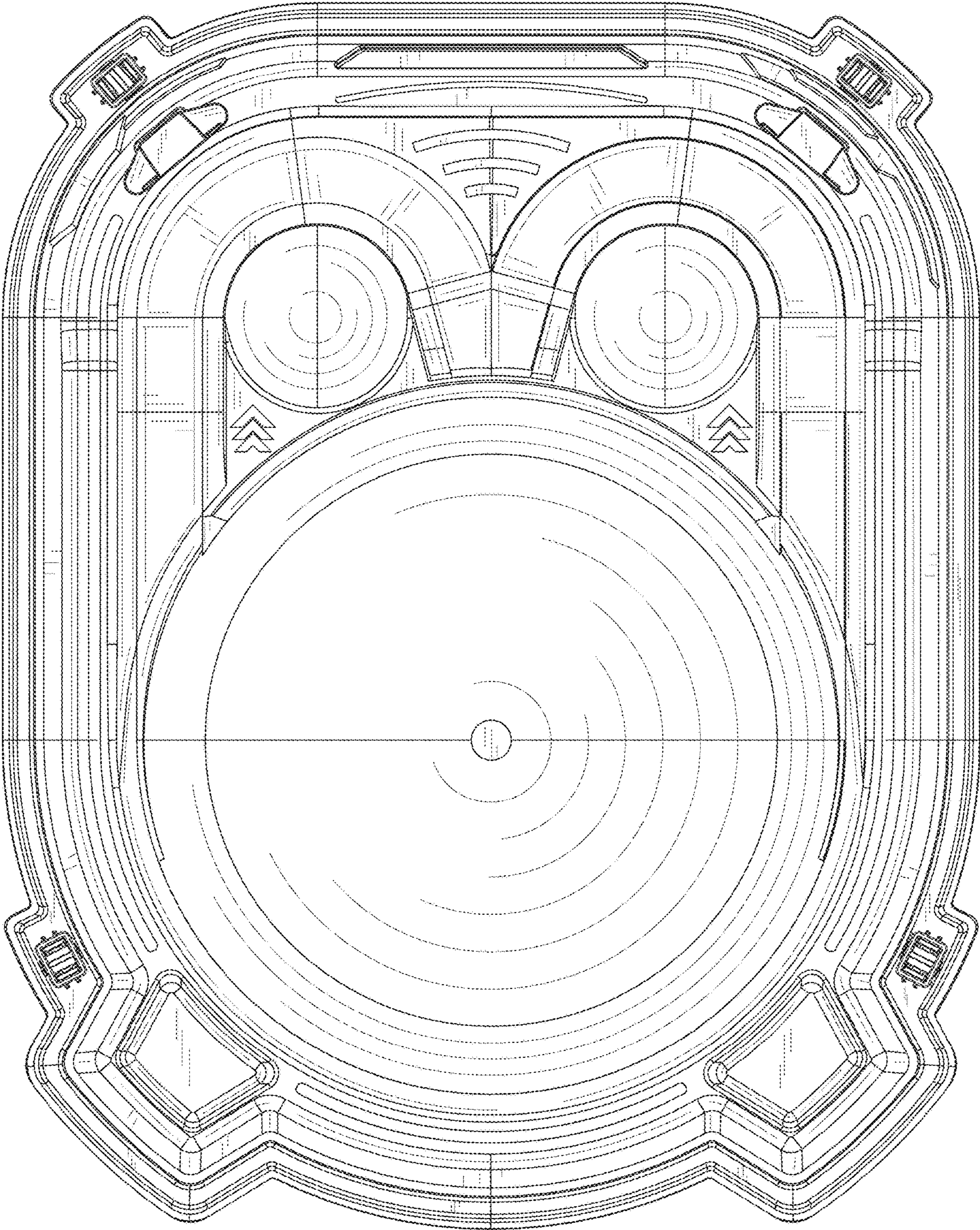


FIG. 6



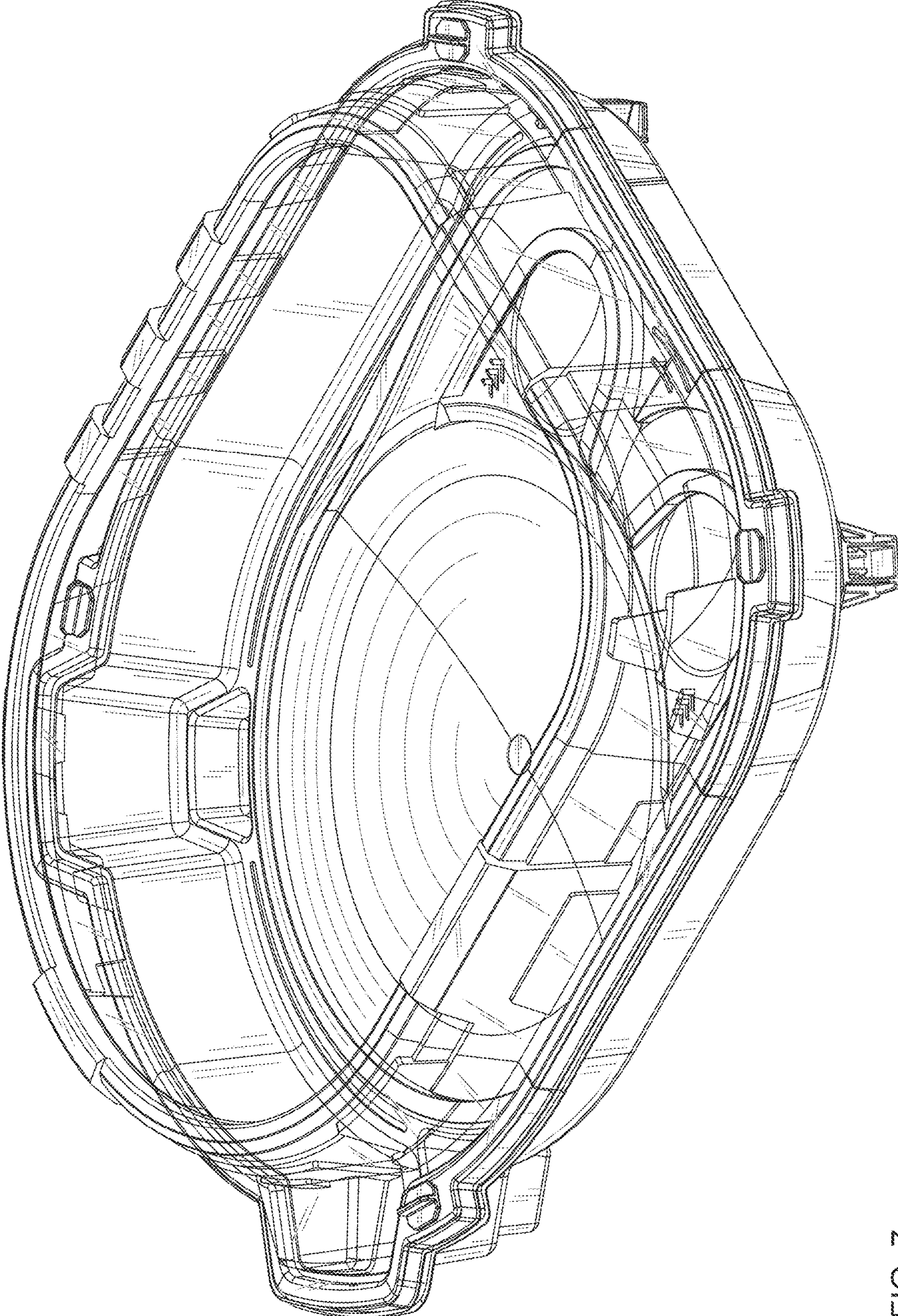


FIG. 7

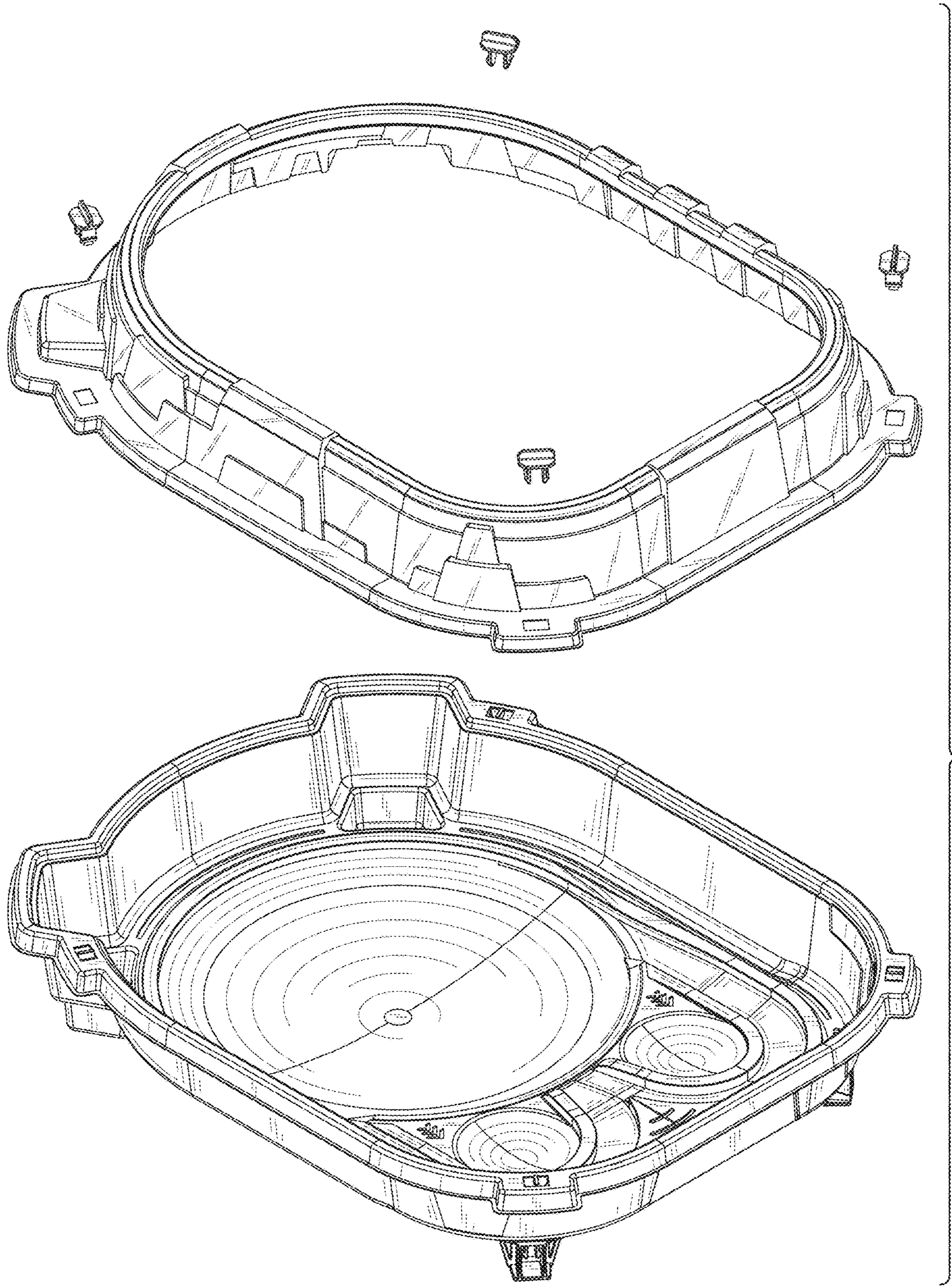


FIG. 8

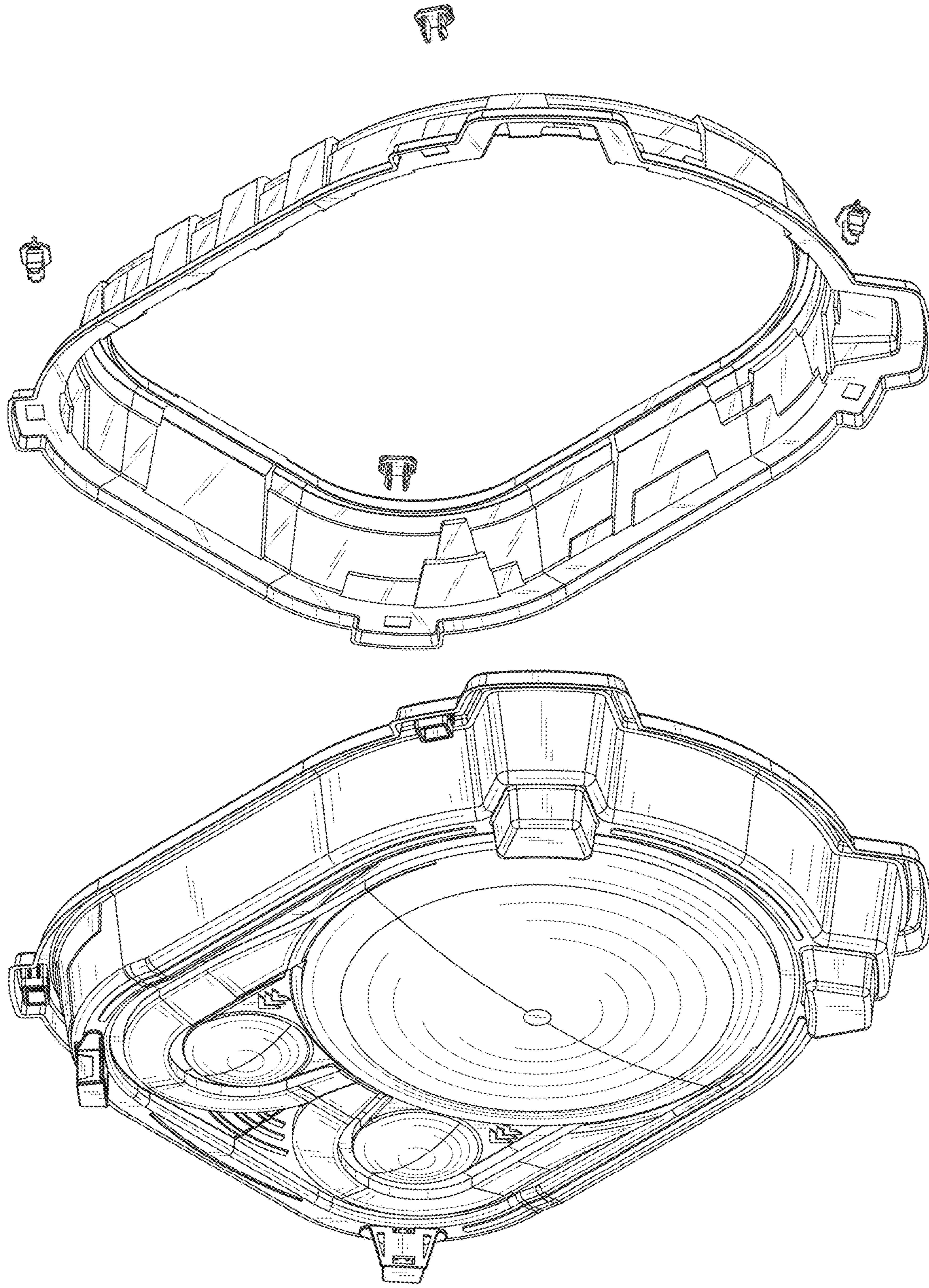


FIG. 9