



US00D884076S

(12) **United States Design Patent**
Quinn

(10) **Patent No.:** **US D884,076 S**

(45) **Date of Patent:** **** May 12, 2020**

(54) **SIMULATOR FRAME, MONITOR FRAME,
AND LOGO PLATE SET**

(71) Applicant: **Calvin M. Quinn**, Peoria, IL (US)

(72) Inventor: **Calvin M. Quinn**, Peoria, IL (US)

(73) Assignee: **SIMFORMOTION LLC**, Peoria, IL
(US)

(**) Term: **15 Years**

(21) Appl. No.: **29/641,664**

(22) Filed: **Mar. 23, 2018**

(51) **LOC (12) Cl.** **21-01**

(52) **U.S. Cl.**
USPC **D21/326**

(58) **Field of Classification Search**
USPC D14/299, 433, 341, 343, 345, 498, 137,
D14/138 R, 138 AB, 138 AA, 138 AD,
D14/188, 204, 210, 212, 215, 216, 230;
D21/324, 325, 326, 329, 330, 331, 332,
D21/333; D13/110, 133, 146, 147, 151,
D13/153, 154, 155, 156; D10/47, 75, 77,
D10/78, 80, 97, 121, 103
CPC . G09B 9/08; G09B 9/00; G09B 9/003; G09B
9/006; G09B 9/02; G09B 9/52; A63F
2300/8017; A63F 2300/1062; A63F
13/803; A63F 13/80

See application file for complete search history.

(56) **References Cited**

U.S. PATENT DOCUMENTS

D380,779 S * 7/1997 Shinzato D21/326
D407,758 S * 4/1999 Isetani D21/326
D407,759 S * 4/1999 Isetani D21/326
D467,977 S * 12/2002 Gatto D21/326
D508,090 S * 8/2005 Blackwell, III D21/333
D545,912 S * 7/2007 Nunokawa D21/326
D599,413 S * 9/2009 Izumi D14/388
D604,977 S * 12/2009 Conville D6/552

D615,596 S * 5/2010 Bik D21/324
D638,879 S * 5/2011 Suto D19/63
D651,133 S * 12/2011 Liebl D12/86
D656,553 S * 3/2012 Blaskov D21/326
D682,360 S * 5/2013 Bhirombhakdi D21/326
D701,917 S * 4/2014 Ghahramanian D21/326
D742,973 S * 11/2015 Park D14/401

(Continued)

FOREIGN PATENT DOCUMENTS

DE 3726976 A1 * 2/1989 G09B 9/04

OTHER PUBLICATIONS

Hydraulic Excavator Simulator System, posted © 2019 [online],
retrieved Aug. 29, 2019, retrieved from internet, <https://catsimulators.com/products/hydraulic-excavator/>.*

Primary Examiner — Michelle E. Wilson
Assistant Examiner — Messina L Smith
(74) *Attorney, Agent, or Firm* — Howard & Howard
Attorneys PLLC

(57) **CLAIM**

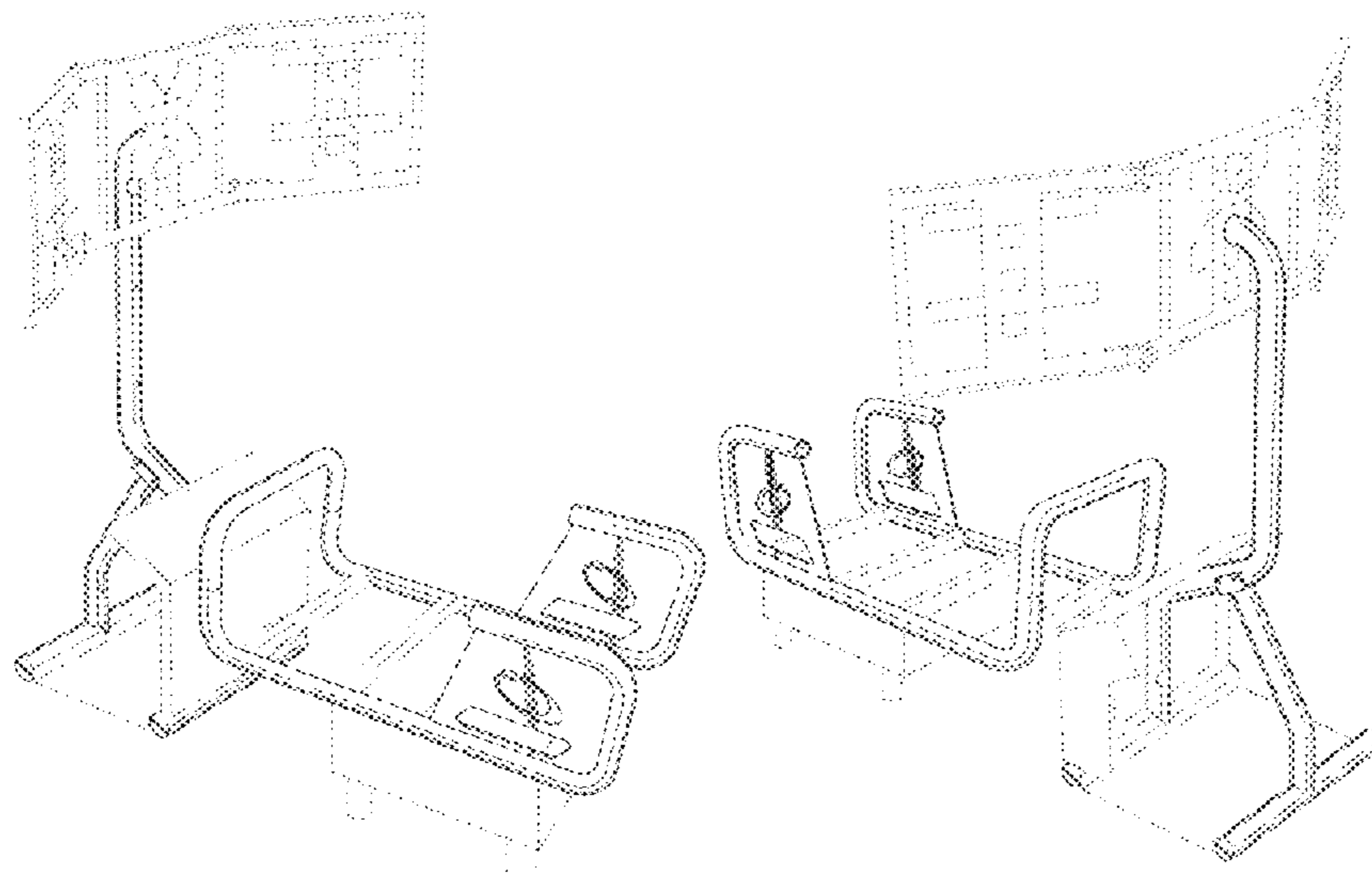
I claim the ornamental design for a simulator frame, a
monitor frame, and a logo plate, as shown and described.

DESCRIPTION

FIG. 1 is a rear perspective view of a simulator frame,
monitor frame and logo plate set showing the new design;
FIG. 2 is a front perspective view thereof;
FIG. 3 is a front view thereof;
FIG. 4 is a rear view thereof;
FIG. 5 is a right view thereof;
FIG. 6 is a left view thereof;
FIG. 7 is a top view thereof; and,
FIG. 8 is a bottom view thereof.

The broken lines in the drawings showing the support
structure are directed to environmental subject matter only
and form no part of the claimed design.

1 Claim, 8 Drawing Sheets



(56)

References Cited

U.S. PATENT DOCUMENTS

D784,457 S * 4/2017 Fung D21/324
9,983,578 B2 * 5/2018 Kandula G05D 1/0016
D835,198 S * 12/2018 Berlinches D21/326
2005/0132939 A1 * 6/2005 McClellion A63F 13/02
108/92
2009/0163283 A1 * 6/2009 Childress A63F 13/08
463/47
2010/0028837 A1 * 2/2010 Holloway G05G 1/38
434/30
2014/0272809 A1 * 9/2014 Martel G09B 9/30
434/38
2018/0024019 A1 * 1/2018 Schagerl G01L 5/28
434/69
2018/0354762 A1 * 12/2018 Altizer B66F 11/04
2019/0139436 A1 * 5/2019 Ashry G09B 9/05

* cited by examiner

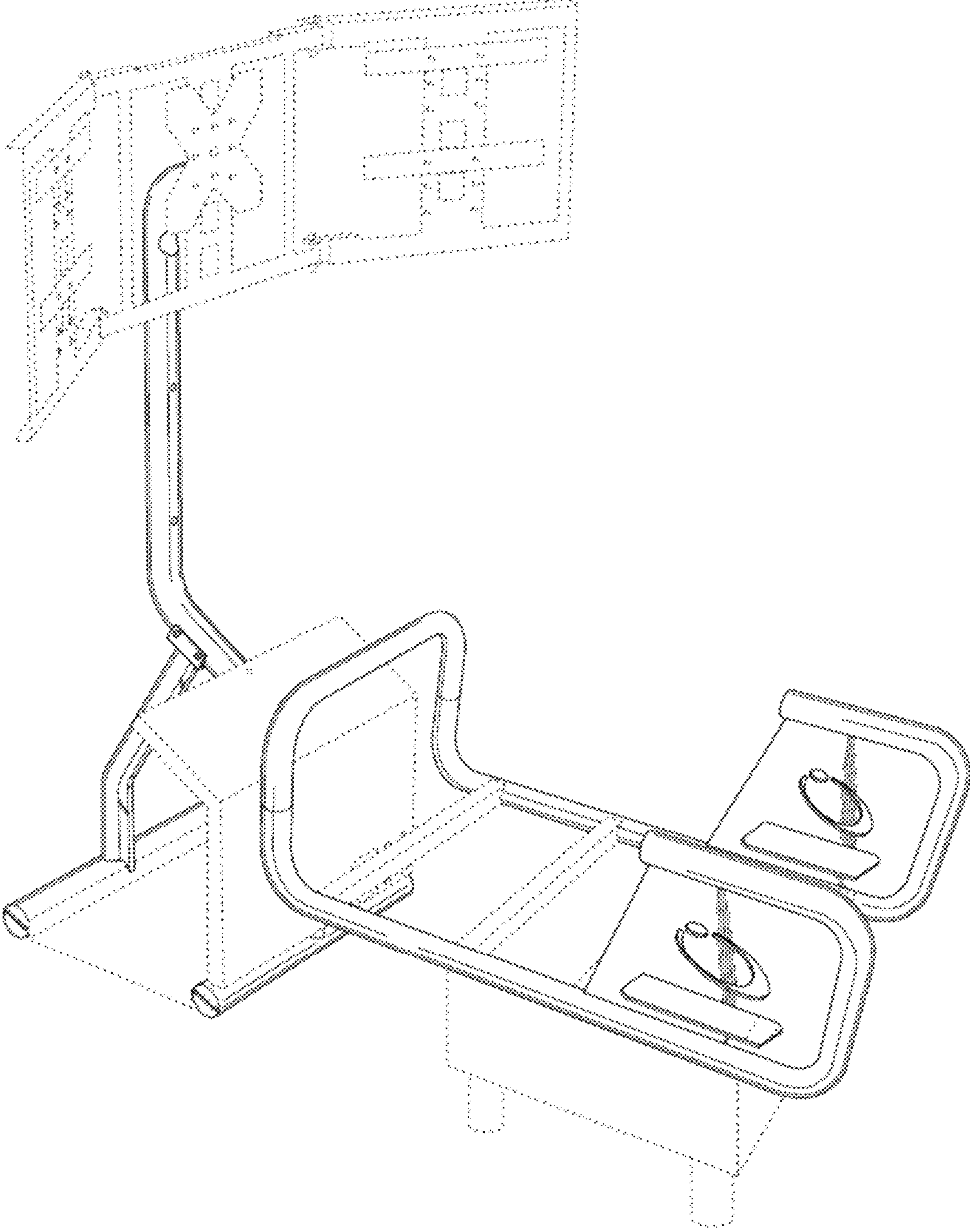


FIG. 1

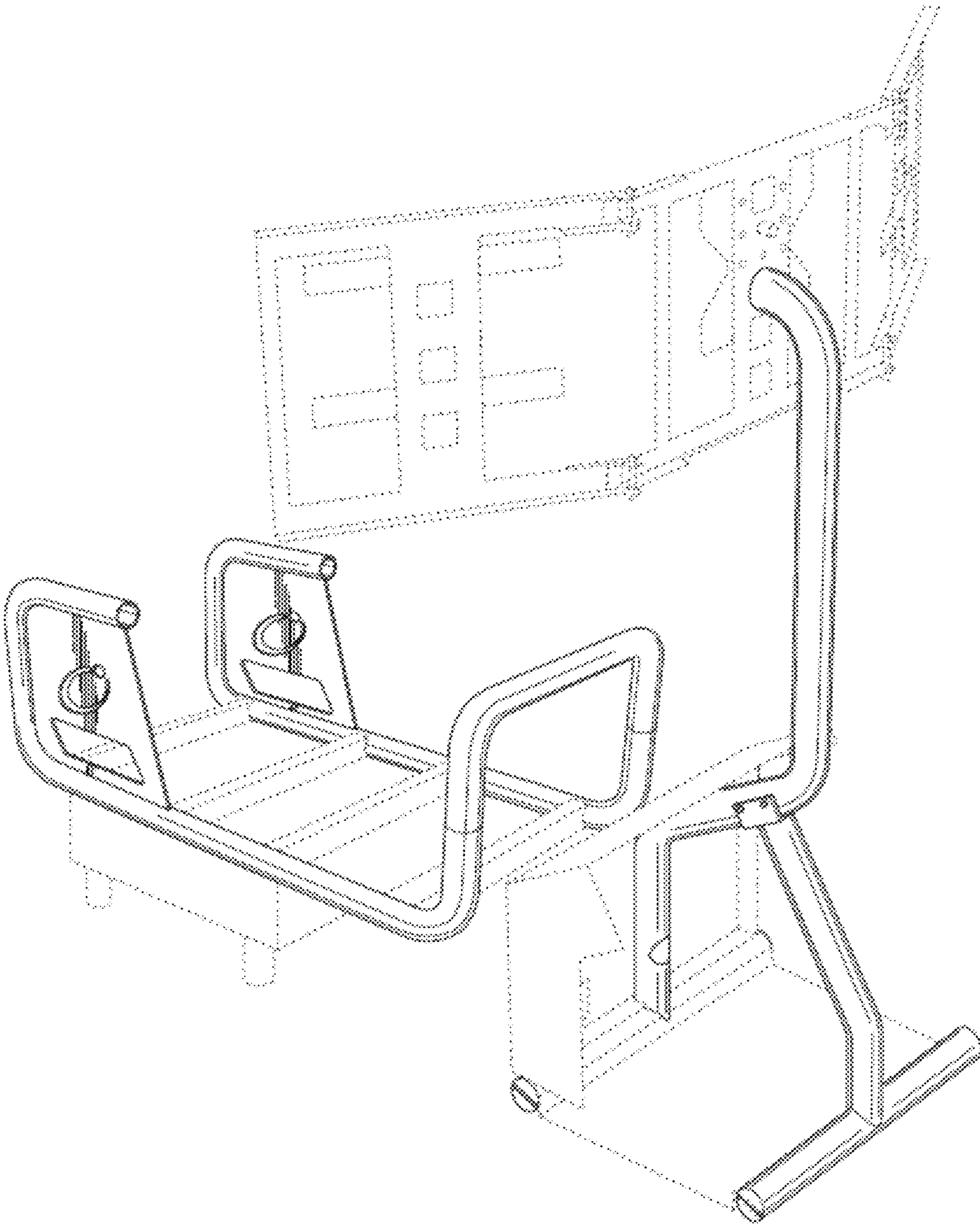


FIG. 2

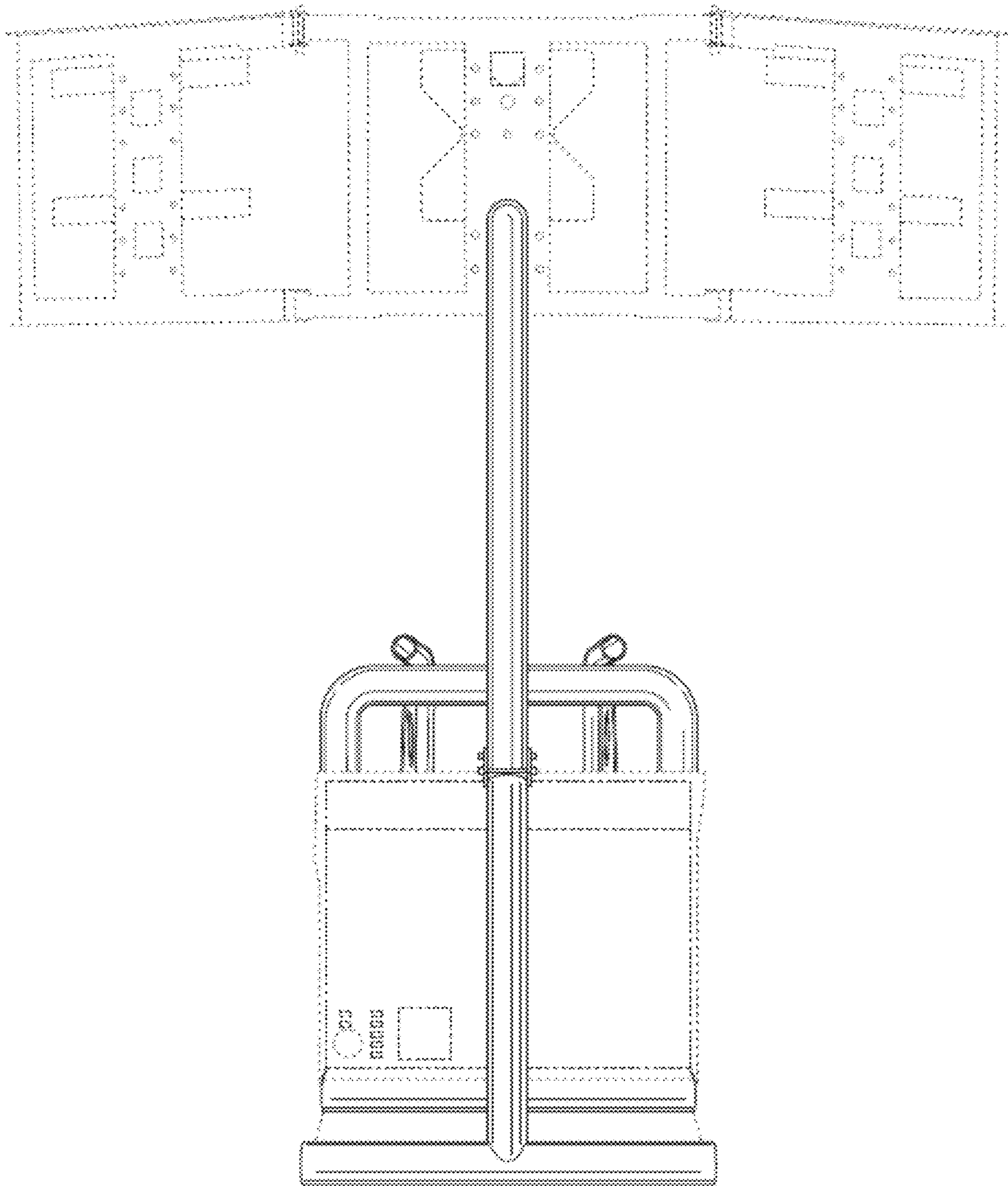


FIG. 3

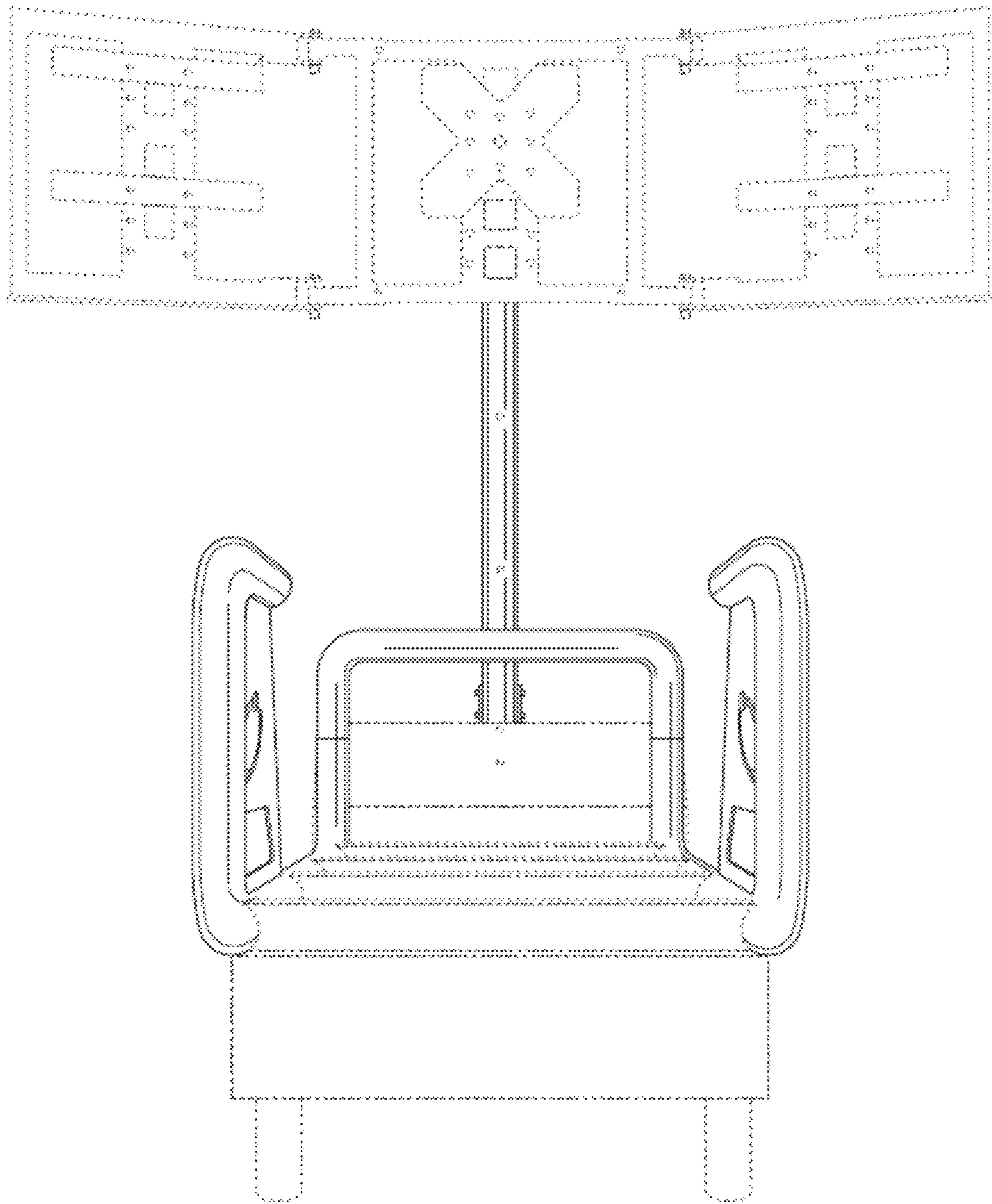


FIG. 4

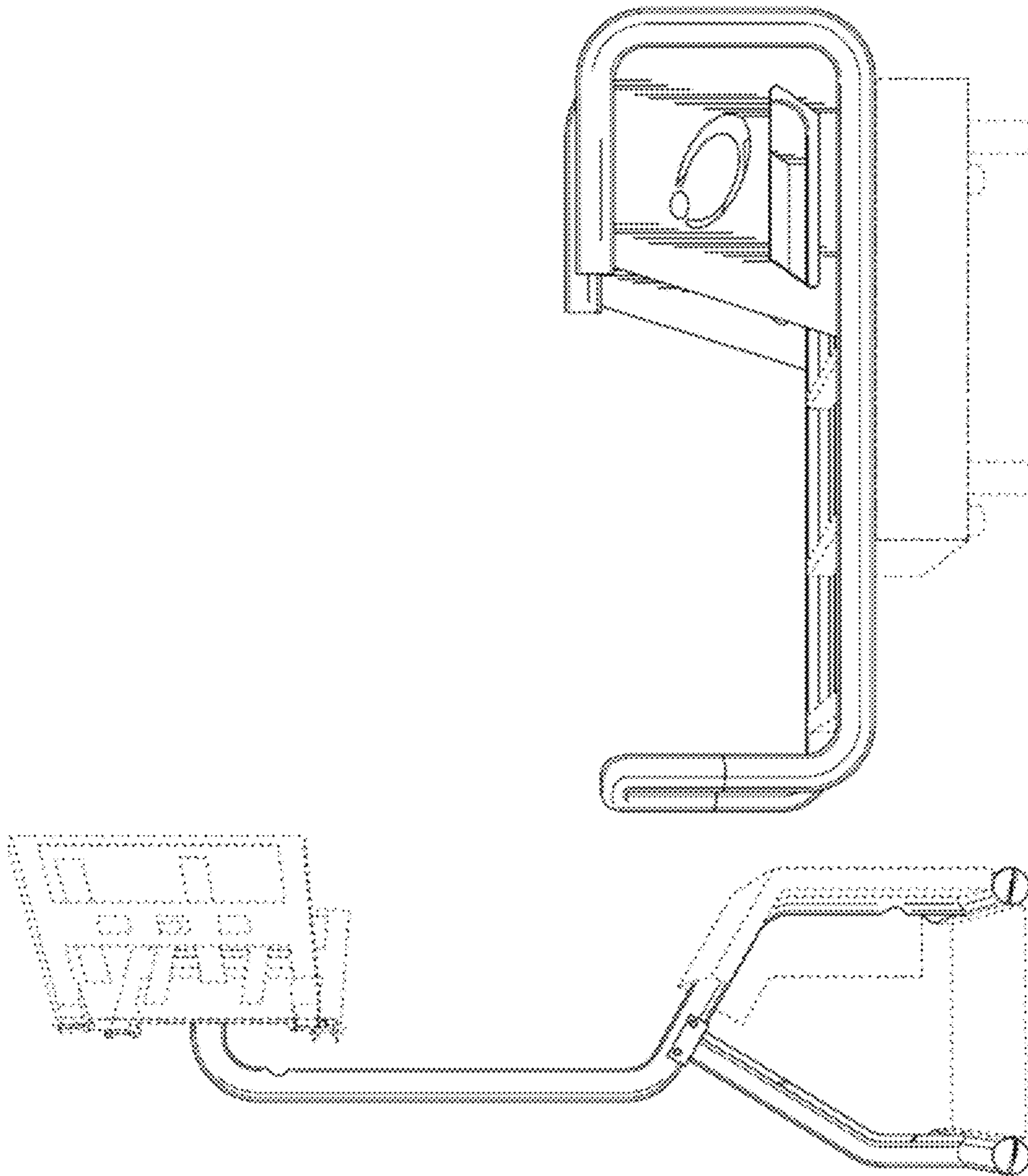


FIG. 5

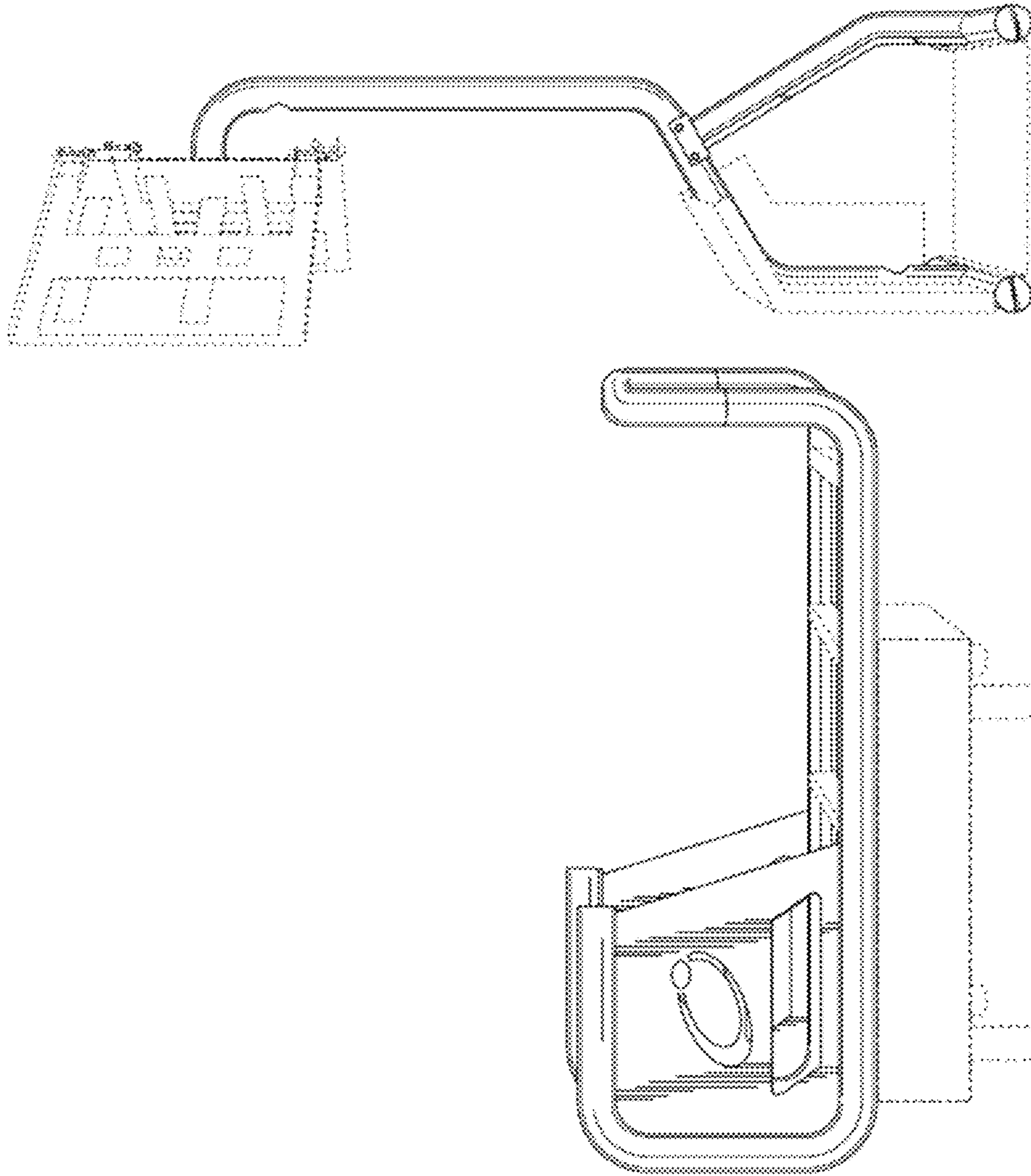


FIG. 6

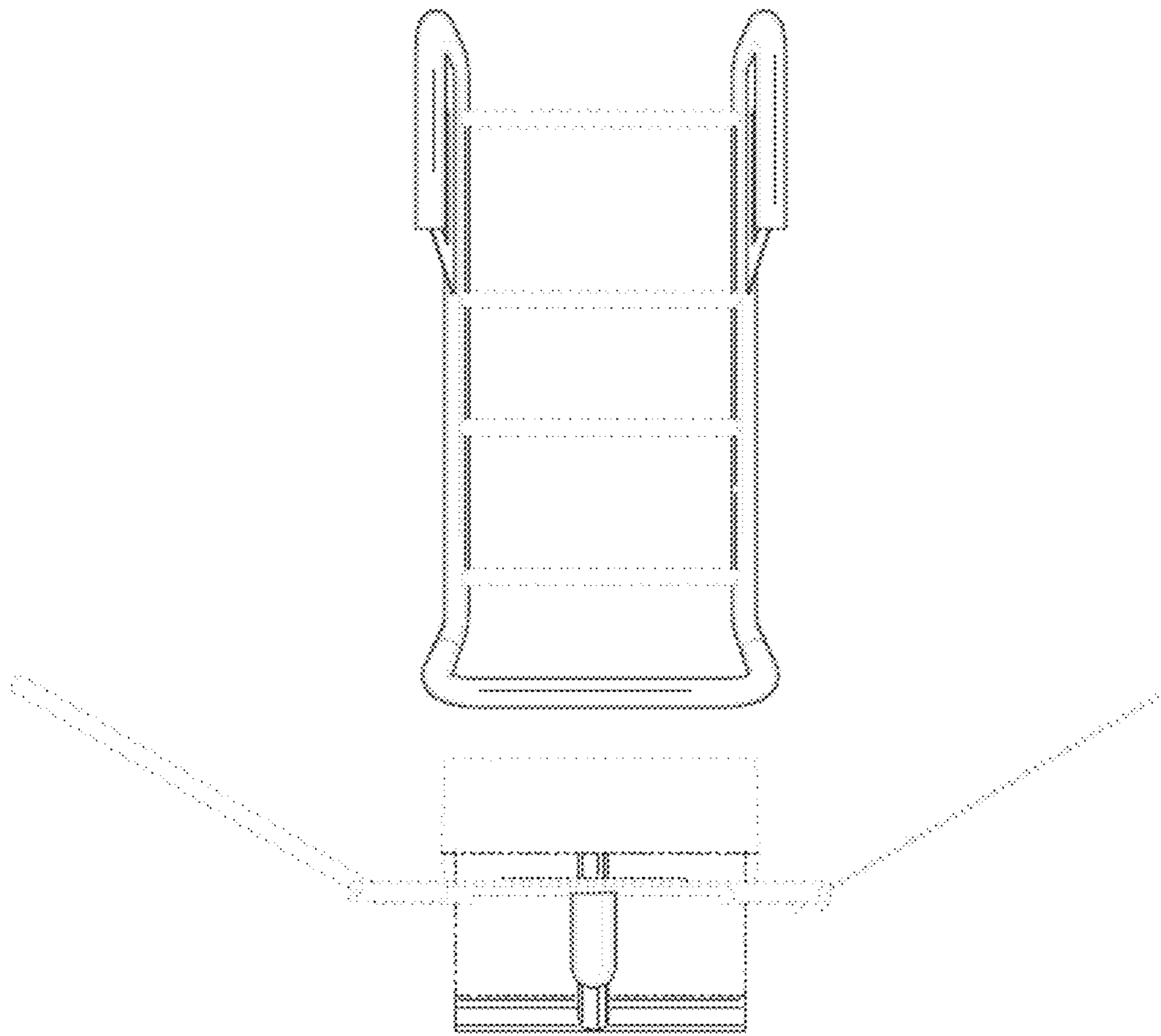


FIG. 7

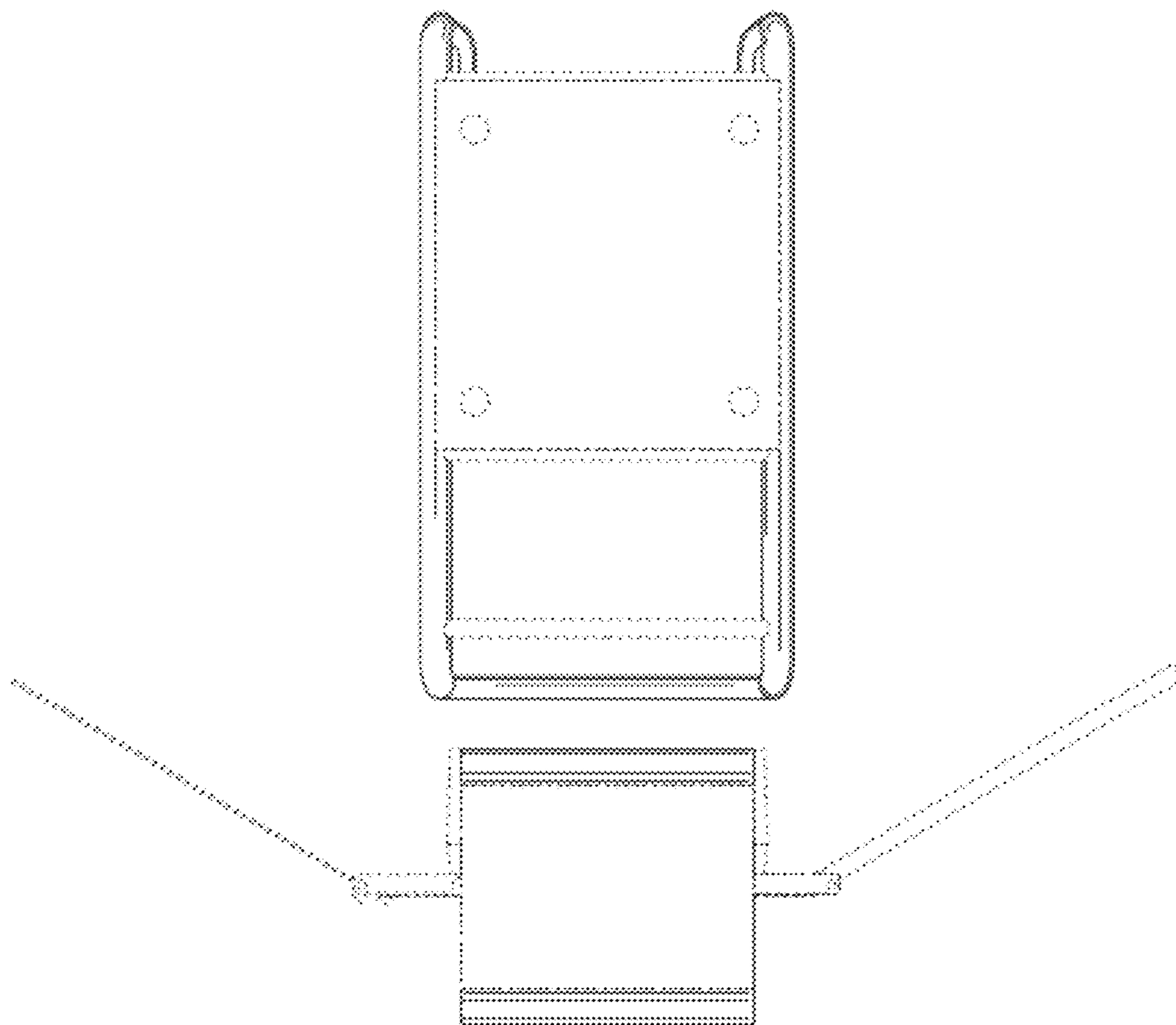


FIG. 8