



US00D884072S

(12) **United States Design Patent** (10) **Patent No.:** **US D884,072 S**  
**Bailly** (45) **Date of Patent:** **\*\* May 12, 2020**

(54) **GLUE STICK**  
(71) Applicant: **BOSTIK SA**, Colombes (FR)  
(72) Inventor: **Justine Bailly**, Soignolles en Brie (FR)  
(73) Assignee: **BOSTIK SA**, Colombes (FR)

D444,175 S \* 6/2001 Omura ..... D19/179  
D462,268 S \* 9/2002 Schroeder ..... D9/435  
D582,777 S \* 12/2008 Mansau ..... D9/529  
D596,231 S \* 7/2009 Hung ..... D19/121  
D605,948 S \* 12/2009 Sposato ..... D9/546  
D648,798 S \* 11/2011 Shimizu ..... D19/66  
D652,739 S \* 1/2012 Komai ..... D9/697  
D655,615 S \* 3/2012 Servaire ..... D9/451

(Continued)

(\*\*) Term: **15 Years**  
(21) Appl. No.: **29/658,893**  
(22) Filed: **Aug. 3, 2018**

*Primary Examiner* — Elizabeth A. Albert  
(74) *Attorney, Agent, or Firm* — Fross Zelnick Lehrman & Zissu, P.C.; Charles T. J. Weigell, Esq.

(30) **Foreign Application Priority Data**

Mar. 9, 2018 (FR) ..... 2018-1203

(51) **LOC (12) Cl.** ..... **19-02**  
(52) **U.S. Cl.**  
USPC ..... **D19/67**

(58) **Field of Classification Search**  
USPC ..... D19/65-69; D6/515; D8/395; D9/723,  
D9/724, 727, 730, 734, 504, 529  
CPC ..... B65H 35/00; B65H 35/0026; B65H  
35/0033; B65H 35/0073; B65H 35/008;  
B65H 35/06; B65H 37/005; B65H 37/007  
See application file for complete search history.

(56) **References Cited**

**U.S. PATENT DOCUMENTS**

D123,709 S \* 11/1940 Wood ..... D28/85  
D130,597 S \* 12/1941 Derham ..... D9/449  
D269,531 S \* 6/1983 Ando ..... D19/66  
D306,693 S \* 3/1990 Beier-Rosetti ..... D9/529  
D325,599 S \* 4/1992 Poisson ..... D19/163  
D331,874 S \* 12/1992 Schmidt ..... D9/447  
D335,256 S \* 5/1993 Slavin ..... D9/724  
5,503,288 A \* 4/1996 Conconi ..... B65D 21/0204  
220/23.4  
D399,426 S \* 10/1998 Jivago ..... D9/651  
5,857,796 A \* 1/1999 Waldmann ..... A45D 34/041  
401/205

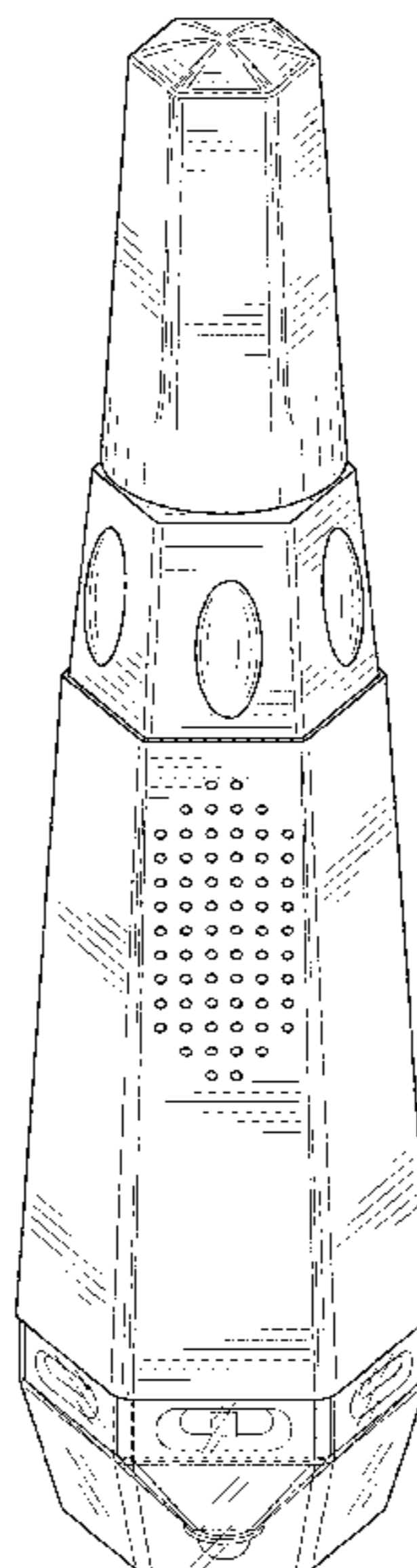
(57) **CLAIM**

The ornamental design for a glue stick, as shown and described.

**DESCRIPTION**

FIG. 1 is a top perspective view of a glue stick showing my new design;  
FIG. 2 is a front view thereof;  
FIG. 3 is a back view thereof;  
FIG. 4 is a right side view thereof;  
FIG. 5 is a left side view thereof;  
FIG. 6 is a top view thereof;  
FIG. 7 is a bottom view thereof;  
FIG. 8 is a bottom perspective view thereof;  
FIG. 9 is a top perspective view showing the end portion with the cap removed;  
FIG. 10 is a front view thereof;  
FIG. 11 is a back view thereof;  
FIG. 12 is a left thereof;  
FIG. 13 is a right view thereof;  
FIG. 14 is a top view thereof;  
FIG. 15 is a bottom view thereof; and,  
FIG. 16 is a bottom perspective view thereof.  
The broken lines are included in FIGS. 15 and 16 to show portions of the glue stick cap that form no part of the claimed design.

**1 Claim, 14 Drawing Sheets**



(56)

**References Cited**

U.S. PATENT DOCUMENTS

D661,199 S *	6/2012	Bennett .....	D9/558
8,485,748 B2 *	7/2013	Jun .....	B43K 8/00
			401/186
D777,041 S *	1/2017	Hui .....	D9/687
D818,840 S *	5/2018	Nagata .....	D9/692
D836,446 S *	12/2018	Murac .....	D9/572
D836,447 S *	12/2018	Murac .....	D9/572
D846,197 S *	4/2019	Apodaca .....	D28/85
D857,509 S *	8/2019	Staab .....	D9/529
D858,306 S *	9/2019	Nagata .....	D9/690

\* cited by examiner

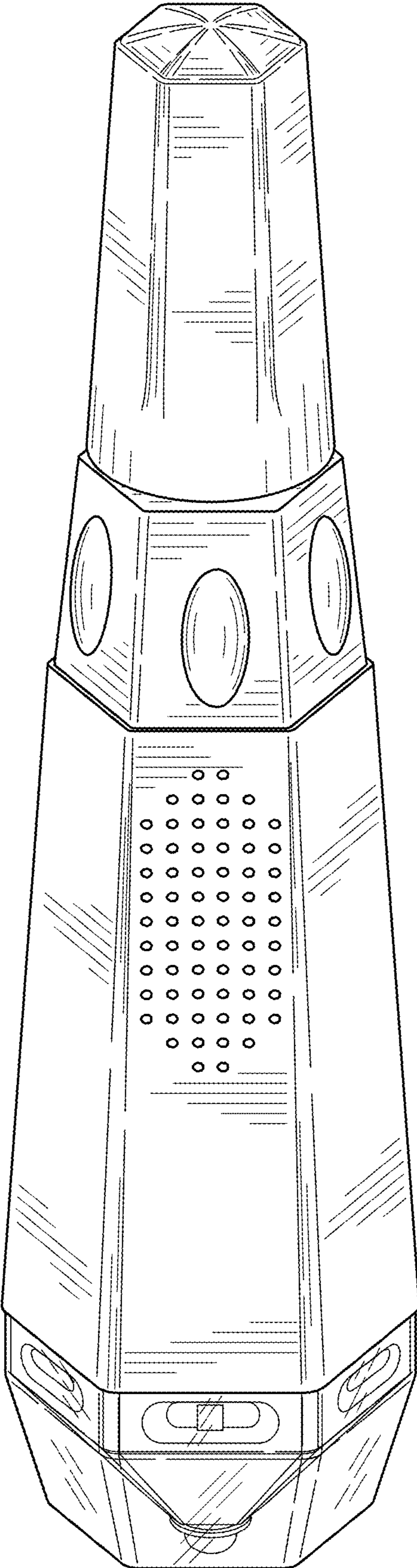


FIG. 1

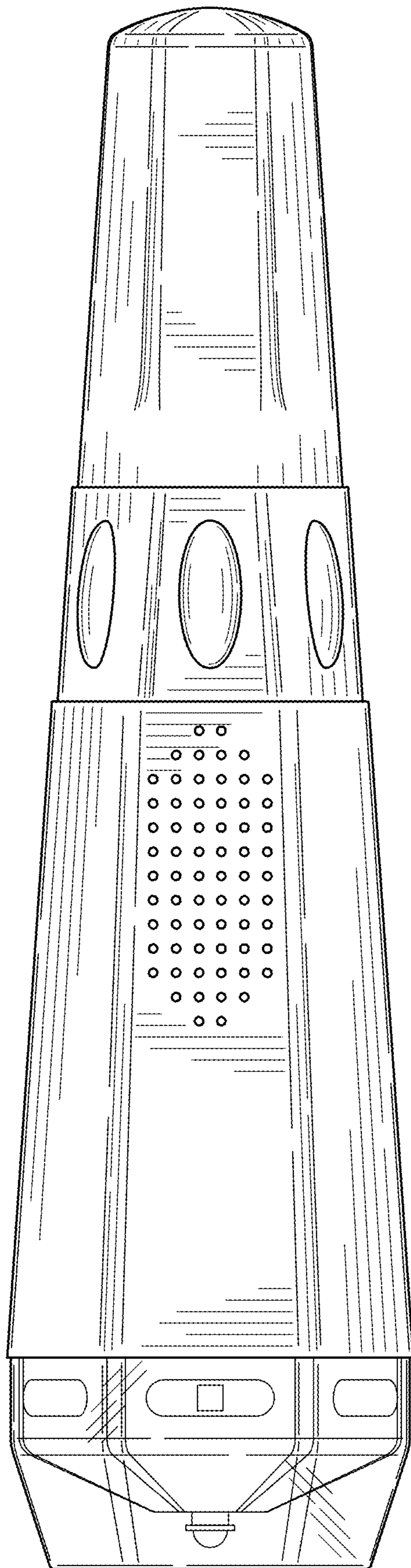


FIG. 2



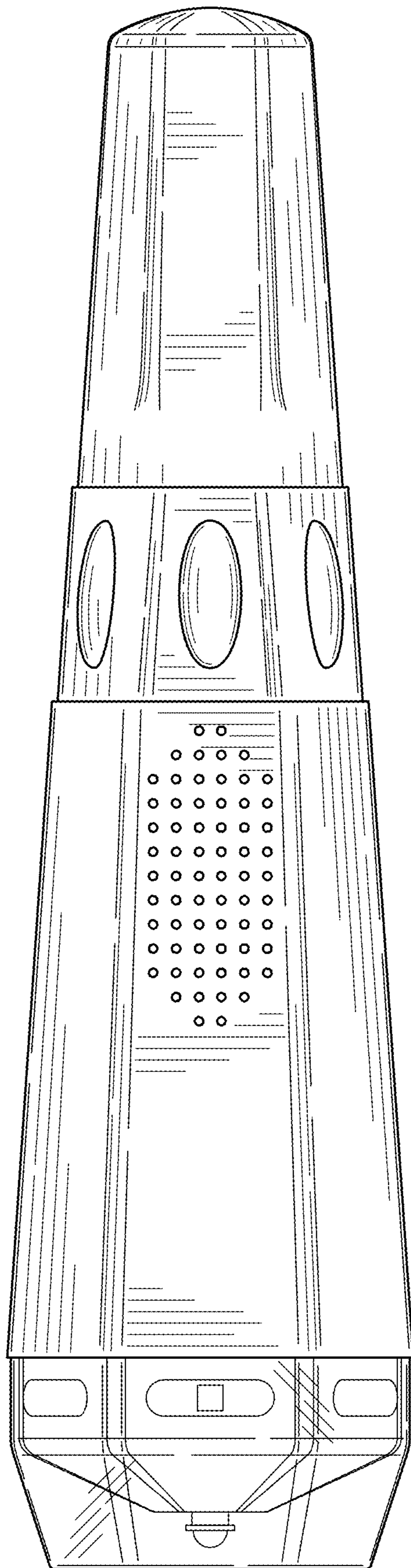


FIG. 3

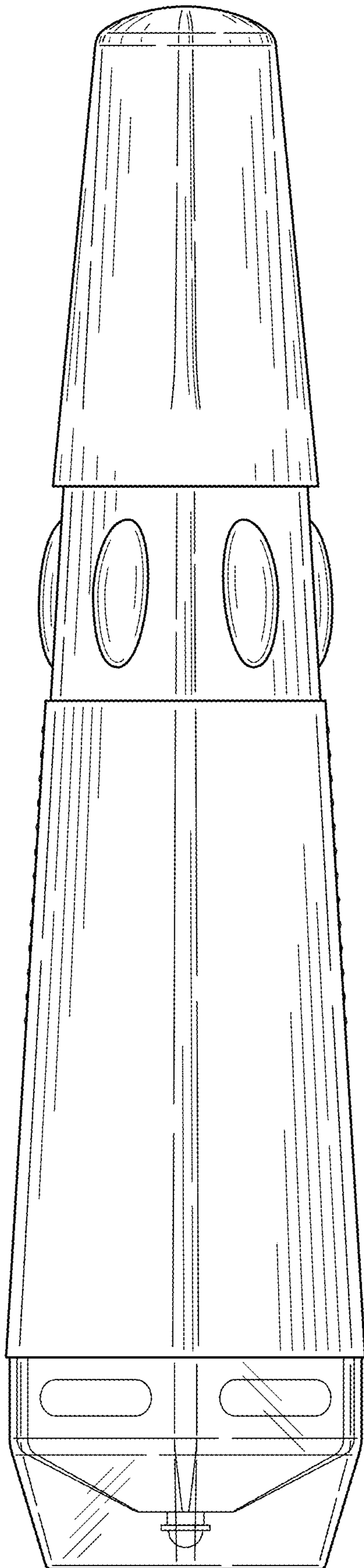


FIG. 4

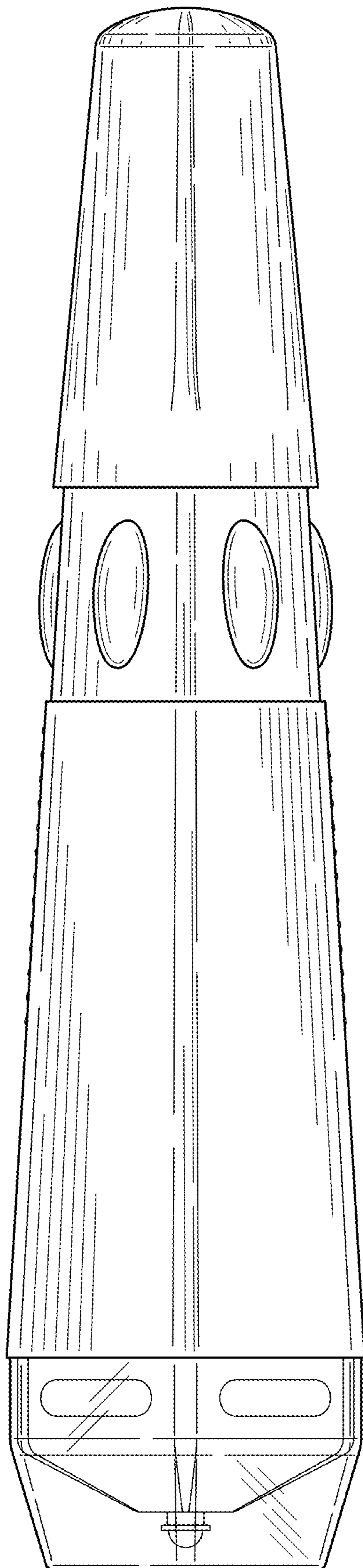


FIG. 5

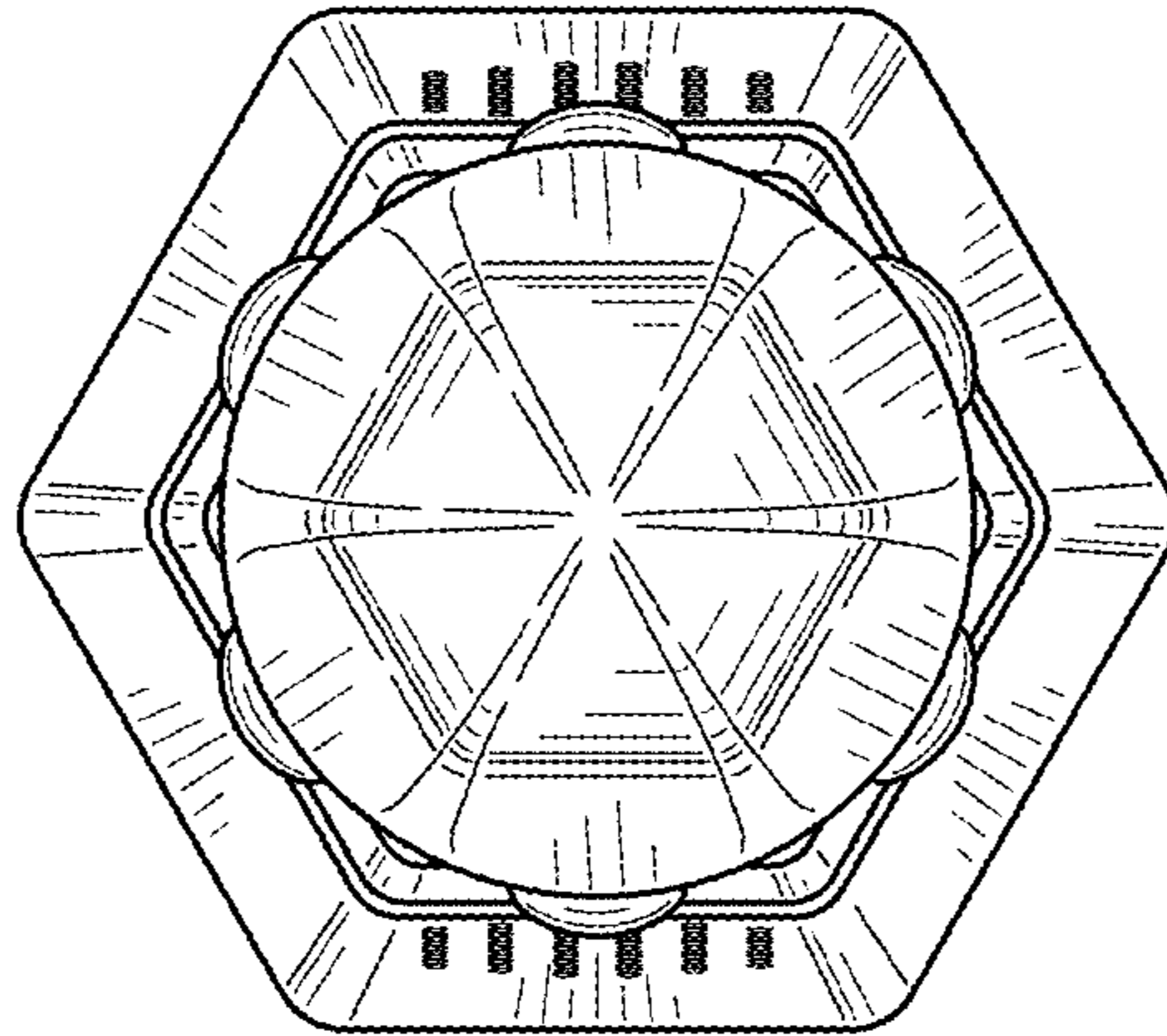


FIG. 6

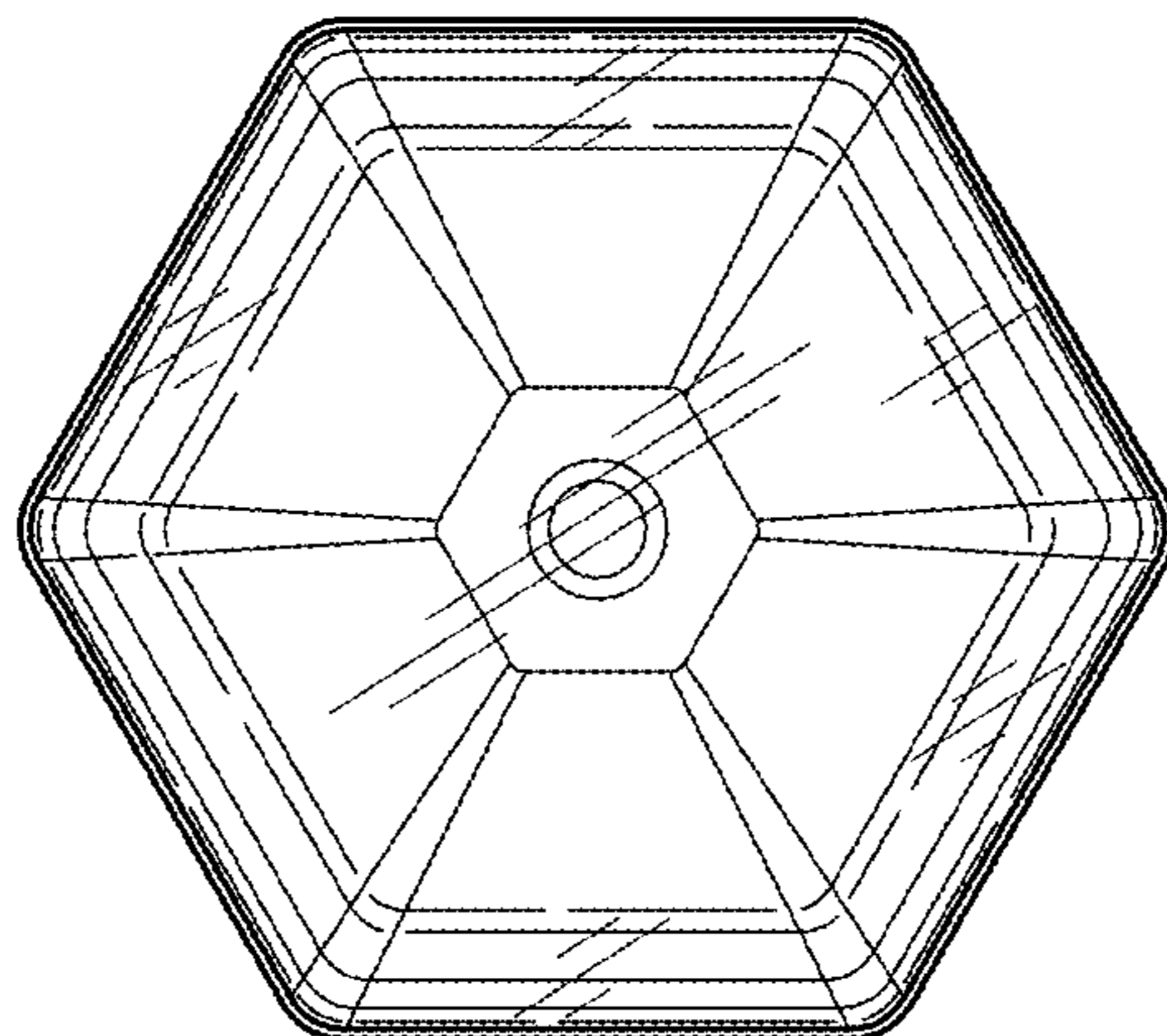


FIG. 7



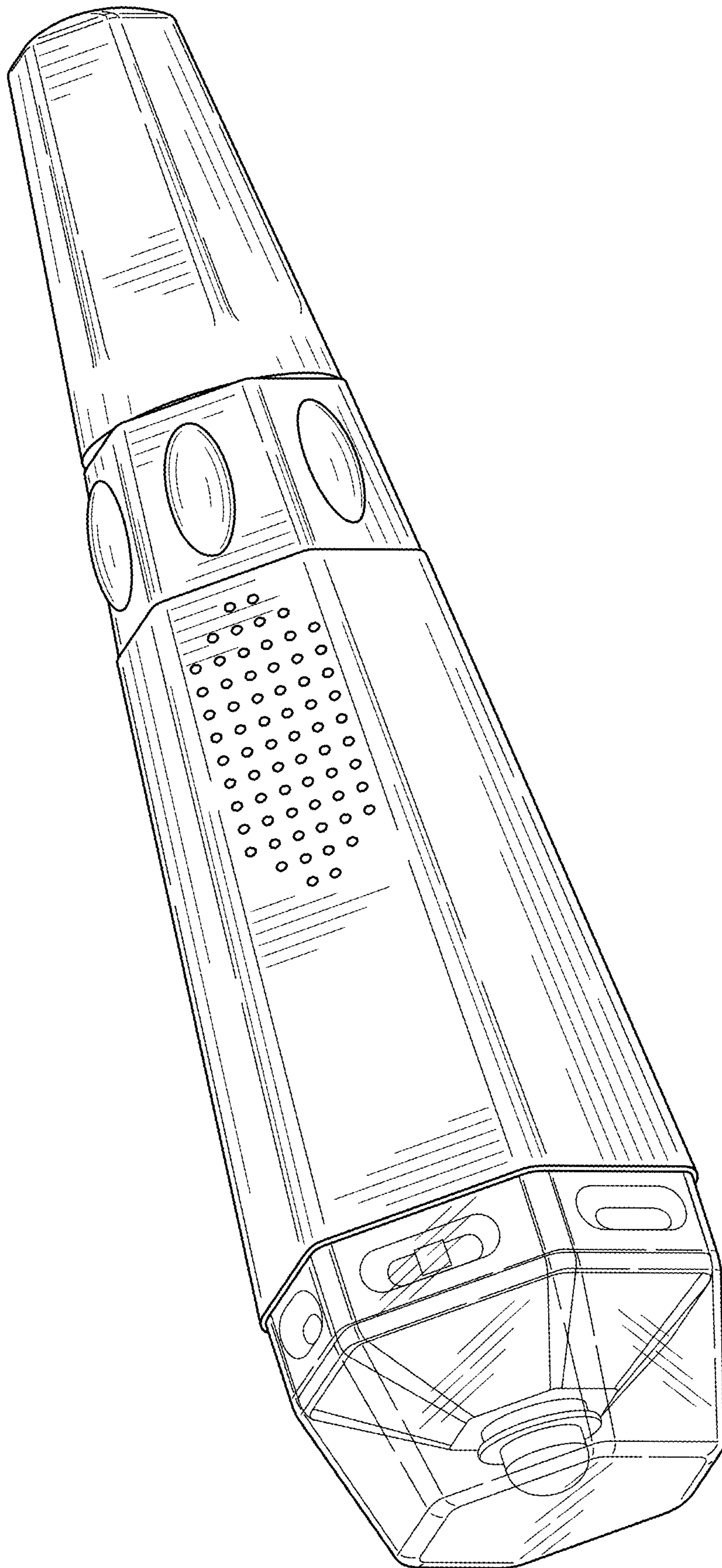


FIG. 8

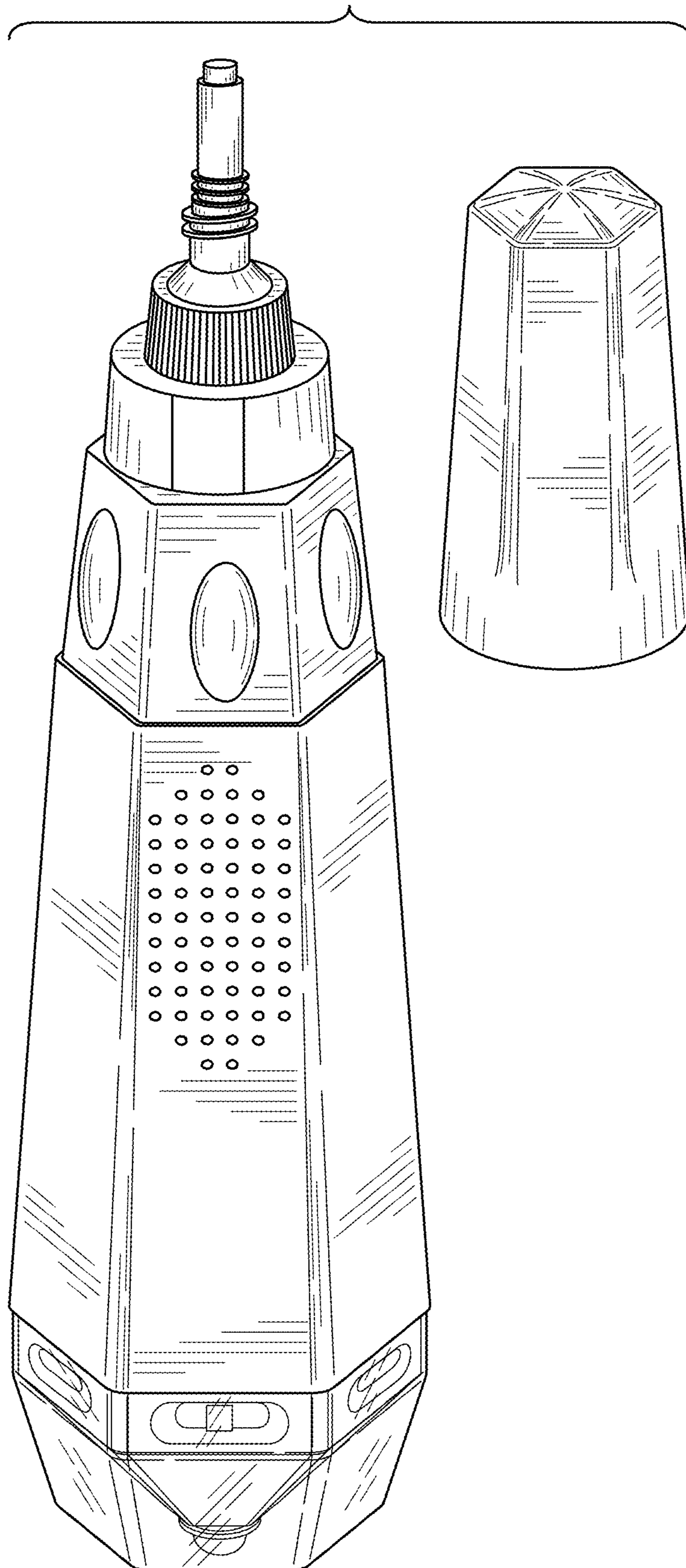


FIG. 9

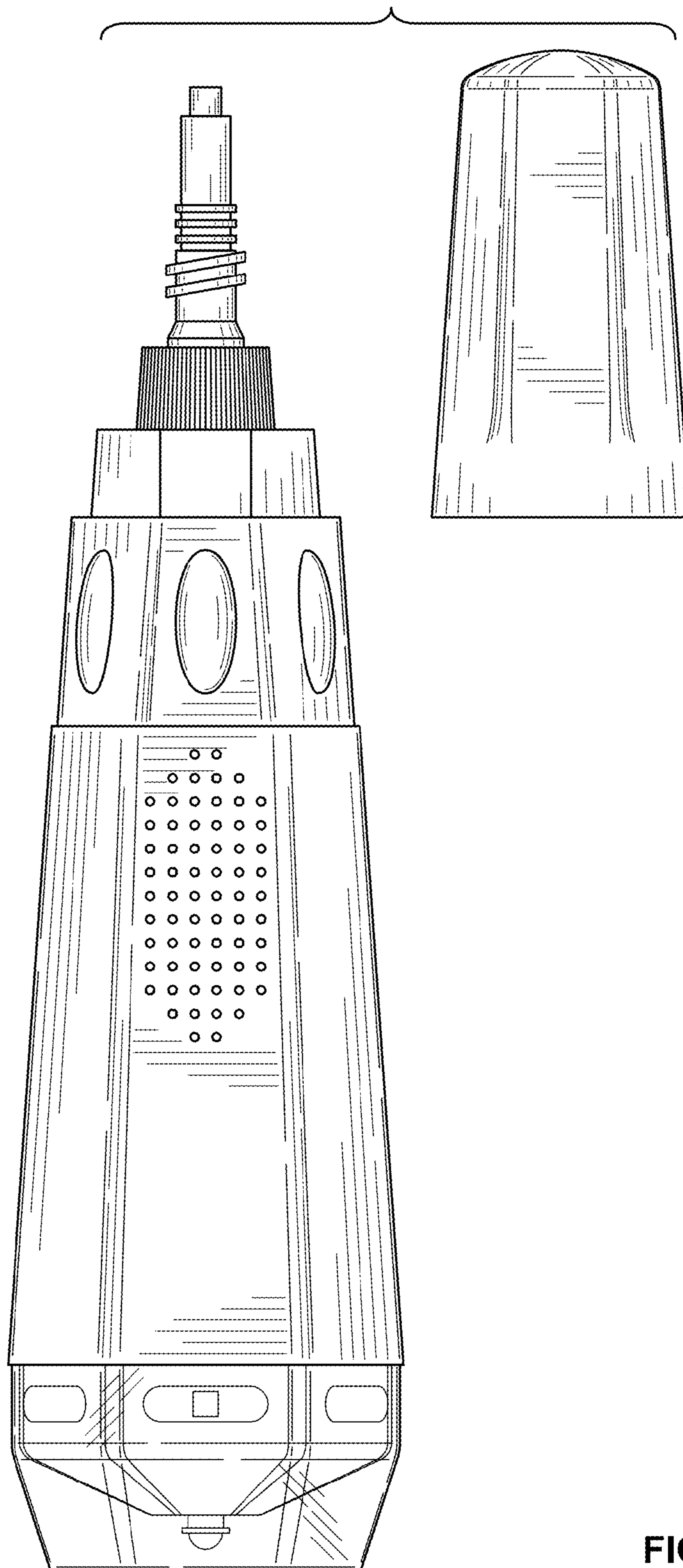


FIG. 10

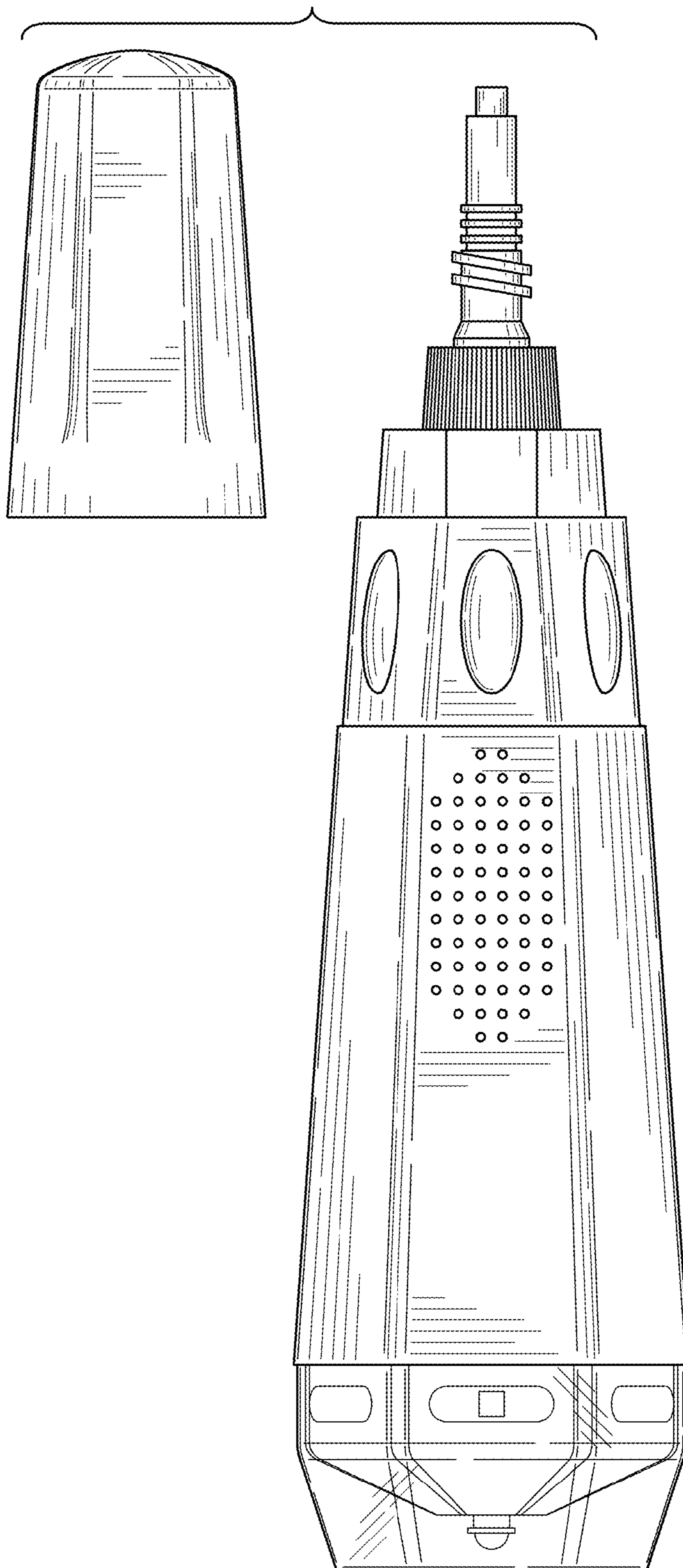


FIG. 11



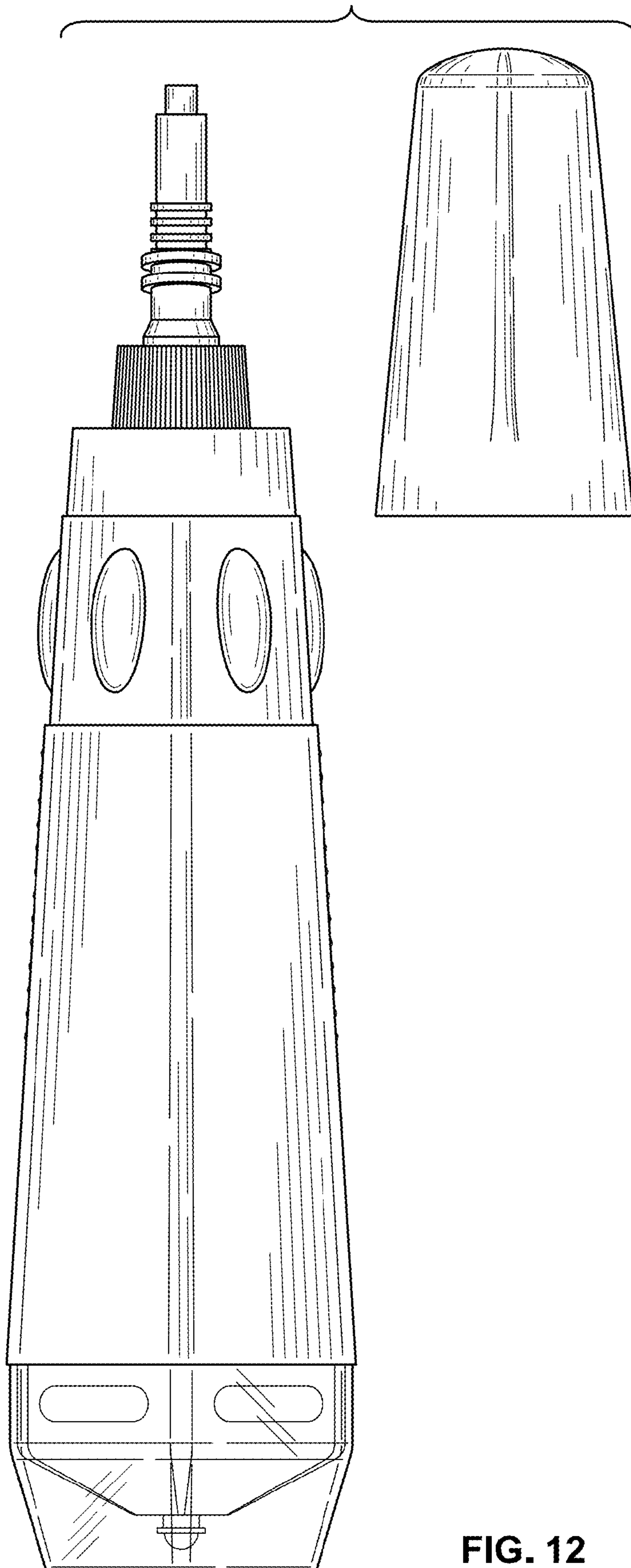


FIG. 12



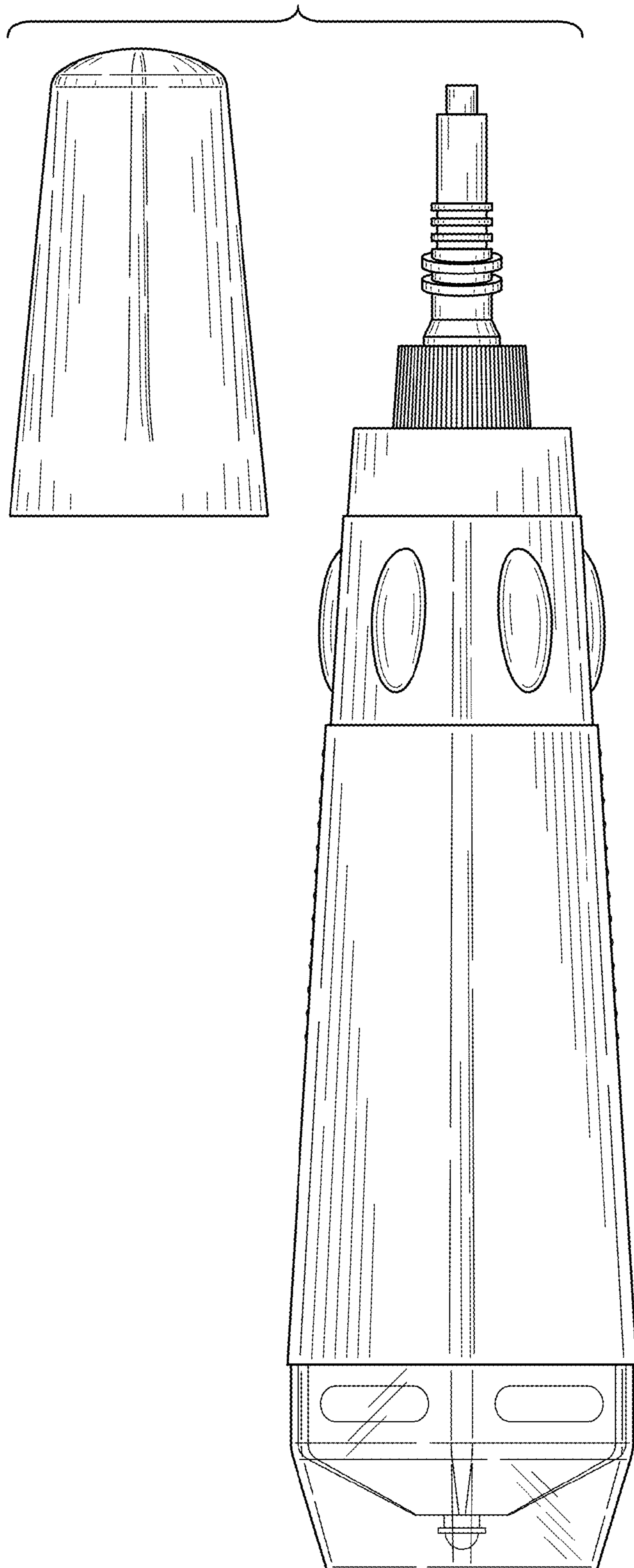


FIG. 13

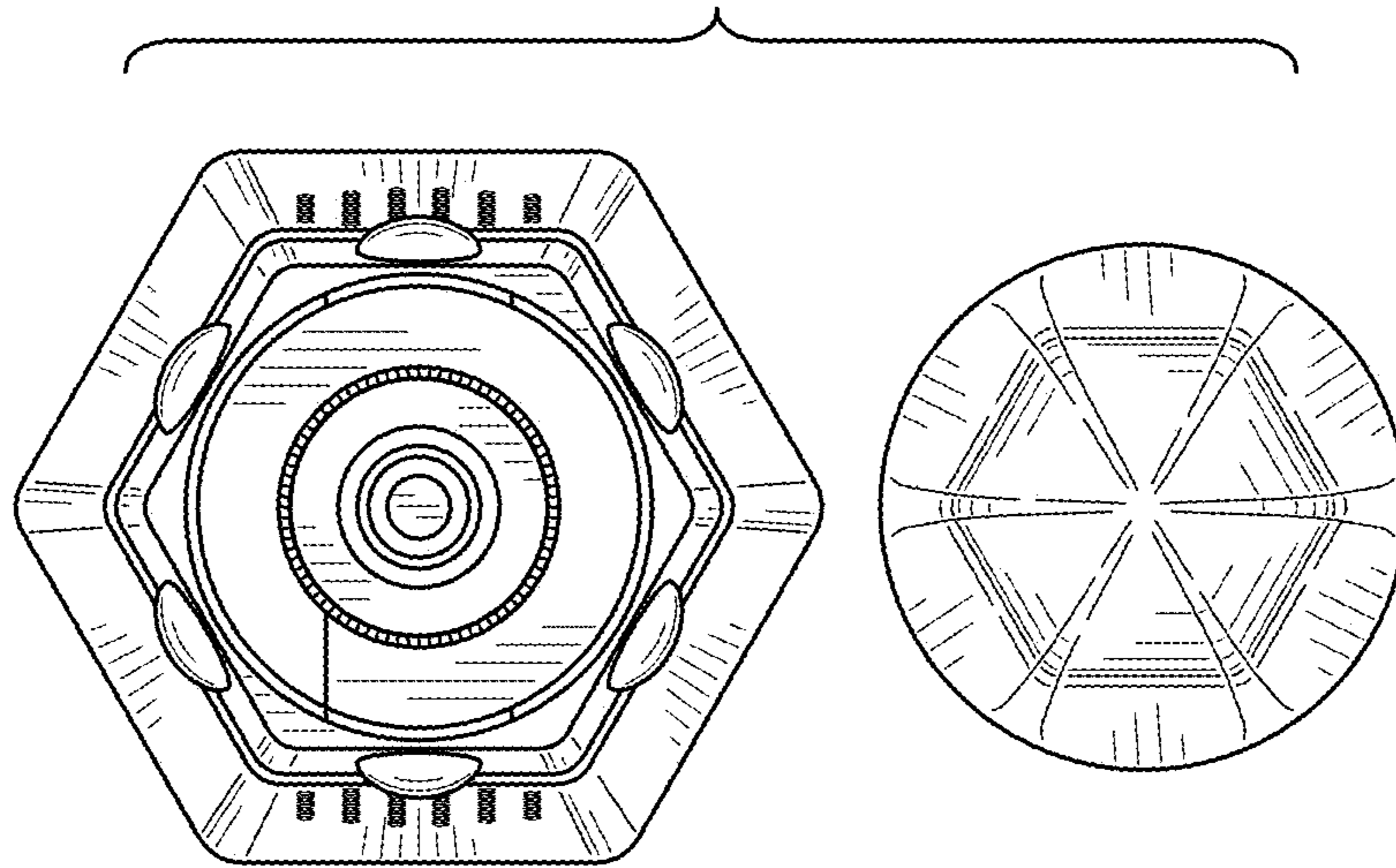


FIG. 14

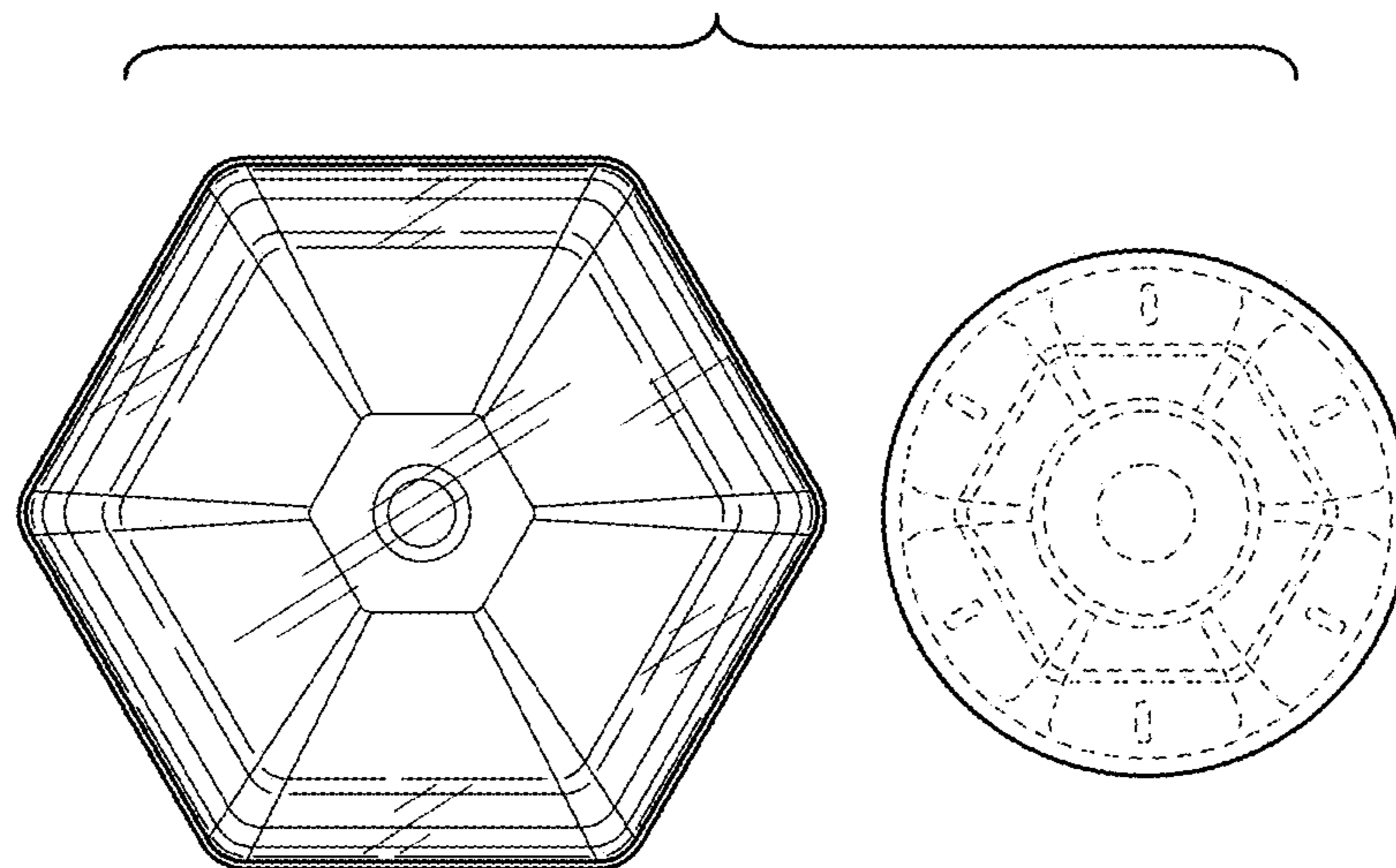


FIG. 15

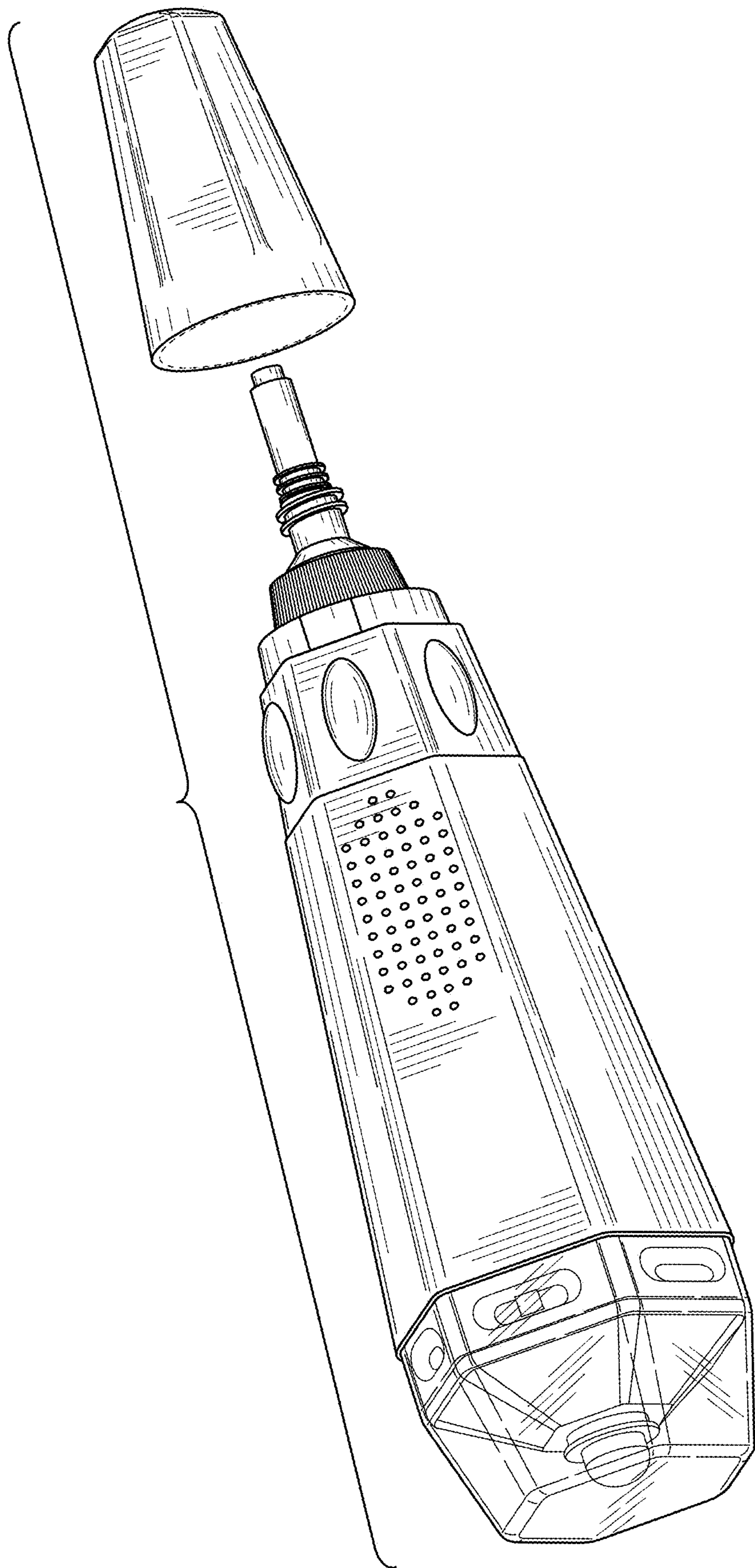


FIG. 16