



US00D884066S

(12) **United States Design Patent** (10) **Patent No.:** **US D884,066 S**
Fuchs (45) **Date of Patent:** **** May 12, 2020**

(54) **EYEGLASSES**

(71) Applicant: **Silhouette International Schmied AG**,
Linz (AT)

(72) Inventor: **Gerhard Fuchs**, Kauns (AT)

(73) Assignee: **SILHOUETTE INTERNATIONAL
SCHMIED AG**, Linz (AT)

(**) Term: **15 Years**

(21) Appl. No.: **29/591,153**

(22) Filed: **Jan. 17, 2017**

(30) **Foreign Application Priority Data**

Jul. 21, 2016 (EM) 003314970

(51) **LOC (12) Cl.** **16-06**

(52) **U.S. Cl.**
USPC **D16/335**

(58) **Field of Classification Search**

USPC D16/100-101, 300-342; D29/107, 110
CPC G02C 1/02; G02C 1/04; G02C 5/12
See application file for complete search history.

(56) **References Cited**

U.S. PATENT DOCUMENTS

5,315,328 A * 5/1994 Hofmair G02C 5/2209
351/121
D375,112 S 10/1996 Jannard
D402,305 S 12/1998 Tragatschnig
D423,552 S 4/2000 Flanagan et al.
D425,543 S 5/2000 Brune
6,357,873 B1 * 3/2002 Spindelbalker F16B 4/004
351/133

(Continued)

OTHER PUBLICATIONS

Gamma Ray Super Lightweight Flex Arm Slim Rimless Readers,
first listed Feb. 25, 2015, <<https://www.amazon.com/GAMMA-Lightweight-Rimless-Readers-Magnification/dp/B073DJ34XC/ref=>

pd_sim_309_5?_encoding=UTF8&pd_rd_i=B073DJ34XC&pd_rd_r=DR0PXZF1N2C8G5CSSYD7&pd_rd_w=iwis8&pd_rd_wg=lurjv&psc=1&refRID=DR0PXZF1N2C8G5CSSYD7>.*

(Continued)

Primary Examiner — Cathron C Brooks

Assistant Examiner — Sharon S Oum

(74) *Attorney, Agent, or Firm* — Alston & Bird LLP

(57) **CLAIM**

I claim the ornamental design for eyeglasses, as shown and described.

DESCRIPTION

FIG. 1 is a perspective view of eyeglasses showing my new design;

FIG. 2 is a front elevation view thereof;

FIG. 3 is a rear elevation view thereof;

FIG. 4 is a right side elevation view thereof, the left side being a mirror image thereof;

FIG. 5 is a left side elevation cross-section view thereof taken along line 5-5 in FIG. 2;

FIG. 6 is a top plan view thereof;

FIG. 7 is a bottom plan view thereof;

FIG. 8 is a front elevation view of an enlarged portion thereof identified as 8-8 in FIG. 2;

FIG. 9 is a rear elevation view of an enlarged portion thereof identified as 9-9 in FIG. 3;

FIG. 10 is a right side elevation view of an enlarged portion thereof identified as 10-10 in FIG. 4;

FIG. 11 is a left side elevation cross-section view of an enlarged portion thereof identified as 11-11 in FIG. 5;

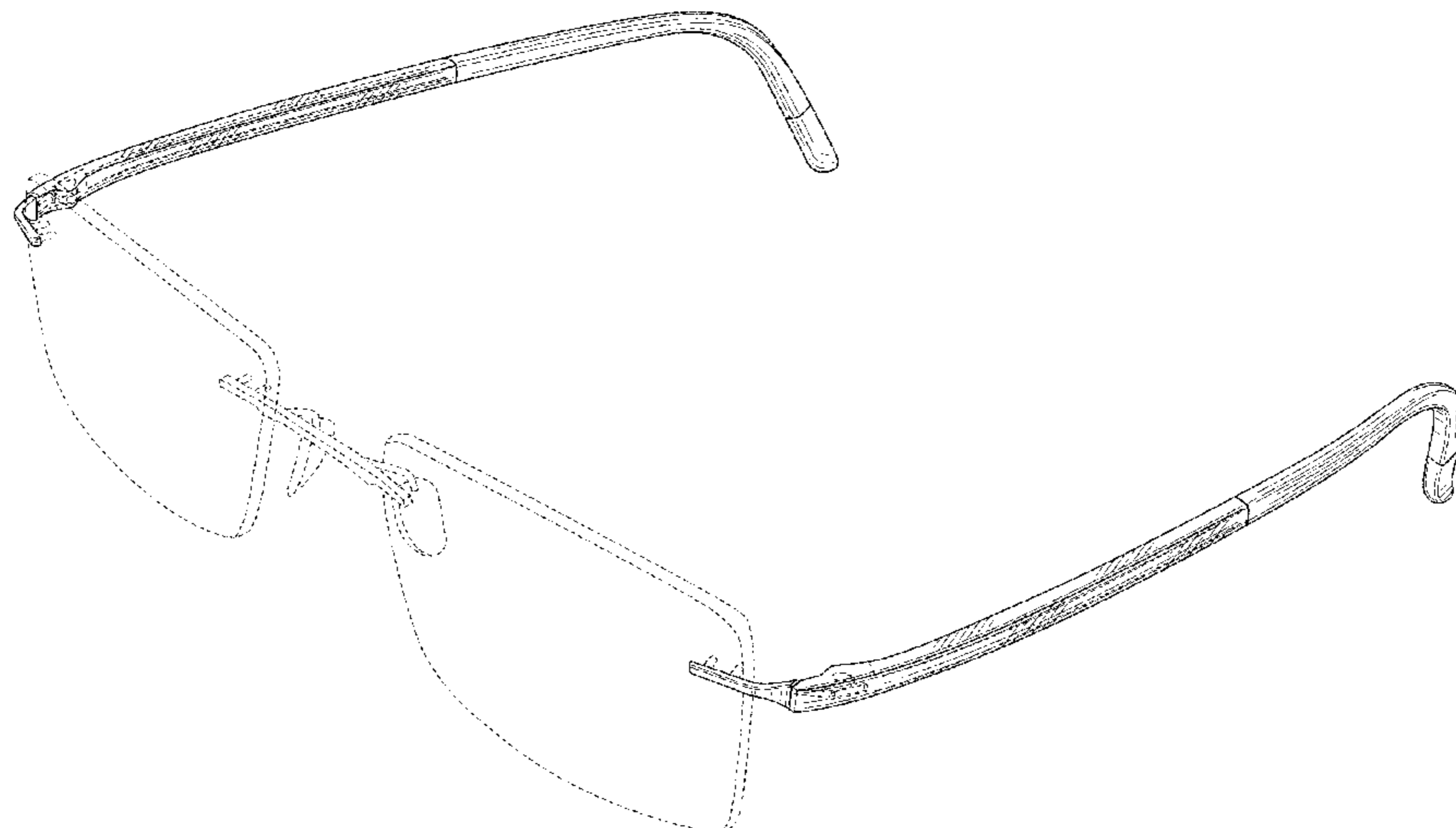
FIG. 12 is a top plan view of an enlarged portion thereof identified as 12-12 in FIG. 6;

FIG. 13 is a bottom plan view of an enlarged portion thereof identified as 13-13 in FIG. 7; and,

FIG. 14 is a top plan view of an enlarged portion thereof, shown in a partially open, partially closed position of use.

The broken lines illustrate portions of the eyeglasses that form no part of the claimed design.

1 Claim, 13 Drawing Sheets



(56)

References Cited

U.S. PATENT DOCUMENTS

6,711,779 B1 * 3/2004 Fuchs G02C 5/2209
 16/228
 D533,579 S * 12/2006 Raile D16/316
 D544,901 S * 6/2007 Fuchs
 D554,176 S * 10/2007 Elmore D16/316
 D556,239 S 11/2007 Yee
 D587,739 S * 3/2009 Raile D16/316
 D599,836 S 9/2009 Rohrbach
 D601,181 S * 9/2009 Fuchs D16/315
 D604,755 S * 11/2009 Gelifier D16/315
 D606,577 S * 12/2009 Gelifier D16/315
 D607,039 S * 12/2009 Yee D16/314
 D612,412 S * 3/2010 Yee D16/315
 D632,327 S 2/2011 Fuchs
 D633,940 S * 3/2011 Preuer-Lackner D16/316
 D634,774 S 3/2011 Fuchs
 D635,178 S * 3/2011 Fuchs D16/315
 D638,873 S * 5/2011 Fuchs D16/315
 D647,951 S * 11/2011 Fuchs D16/334
 D650,002 S * 12/2011 Zoonens D16/315
 D650,411 S 12/2011 Fuchs
 D657,813 S * 4/2012 Mouclier D16/316
 D658,703 S * 5/2012 Sallard D16/307
 D675,670 S * 2/2013 Fuchs D16/315
 D677,710 S 3/2013 Cho
 D678,389 S 3/2013 Rohrbach
 D678,390 S * 3/2013 Fuchs D16/315
 D678,934 S 3/2013 Yee
 D682,914 S 5/2013 Fuchs
 D692,046 S 10/2013 Fuchs
 D698,383 S 1/2014 Hong
 D698,852 S 2/2014 Kim
 D701,556 S 3/2014 Cho
 D704,765 S 5/2014 Markovitz et al.
 D705,340 S 5/2014 Shin
 D712,452 S 9/2014 Layzell
 D714,858 S 10/2014 Thixton
 D720,800 S 1/2015 Shin
 D724,133 S 3/2015 Fuchs

D728,006 S 4/2015 Yee
 D737,364 S 8/2015 Shin
 D737,889 S 9/2015 Yoo
 D741,943 S 10/2015 Keplinger
 D743,477 S 11/2015 Strecker
 D743,479 S 11/2015 Keplinger
 D745,922 S 12/2015 Shen
 D746,358 S 12/2015 Markovitz et al.
 D746,369 S 12/2015 Uhm
 D748,190 S 1/2016 Shin
 D757,158 S 5/2016 Fuchs
 D761,898 S 7/2016 Yoo
 D765,161 S 8/2016 Sallard
 D767,014 S * 9/2016 Fuchs D16/315
 D775,263 S * 12/2016 Fuchs D16/326
 D775,264 S 12/2016 Fuchs
 D775,265 S 12/2016 Fuchs
 9,519,157 B2 * 12/2016 Spindelbalker G02C 5/2209
 D781,952 S * 3/2017 Fuchs D16/335
 D783,082 S 4/2017 Sallard
 D785,078 S 4/2017 Sallard
 D787,582 S 5/2017 Desodt
 D790,622 S 6/2017 Lanaro
 D801,420 S * 10/2017 Fuchs D16/330
 D804,564 S * 12/2017 Fuchs D16/321
 D818,032 S * 5/2018 Fuchs D16/334
 D820,348 S * 6/2018 Serlenga D16/335
 D826,314 S * 8/2018 Fuchs D16/335
 2011/0013134 A1 * 1/2011 Siu G02C 1/02
 351/110

OTHER PUBLICATIONS

Notice of Allowance from U.S. Appl. No. 29/591,157, dated Aug. 4, 2017, 10 pages.
 Urban Fusion Fullrim, [online], [site visited Jul. 21, 2017]. Available from Internet, <U RL: <https://www.silhouette.com/us/us/optical-eyewear/urban-fusion/1575/6058>>, 1 page.
 Notice of Allowance from U.S. Appl. No. 29/591,164, dated Jan. 23, 2018, 12 pages.

* cited by examiner

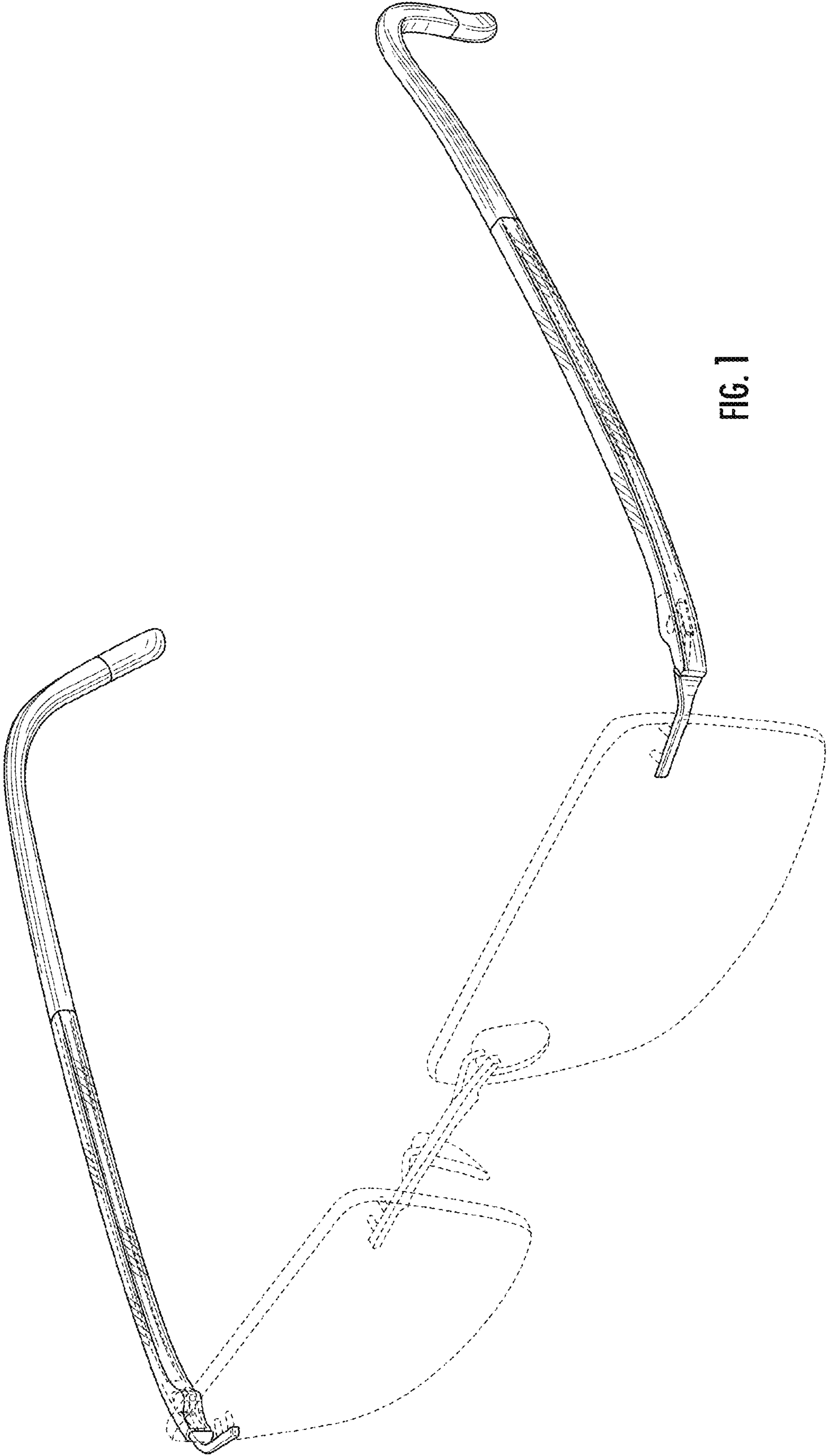


FIG. 1

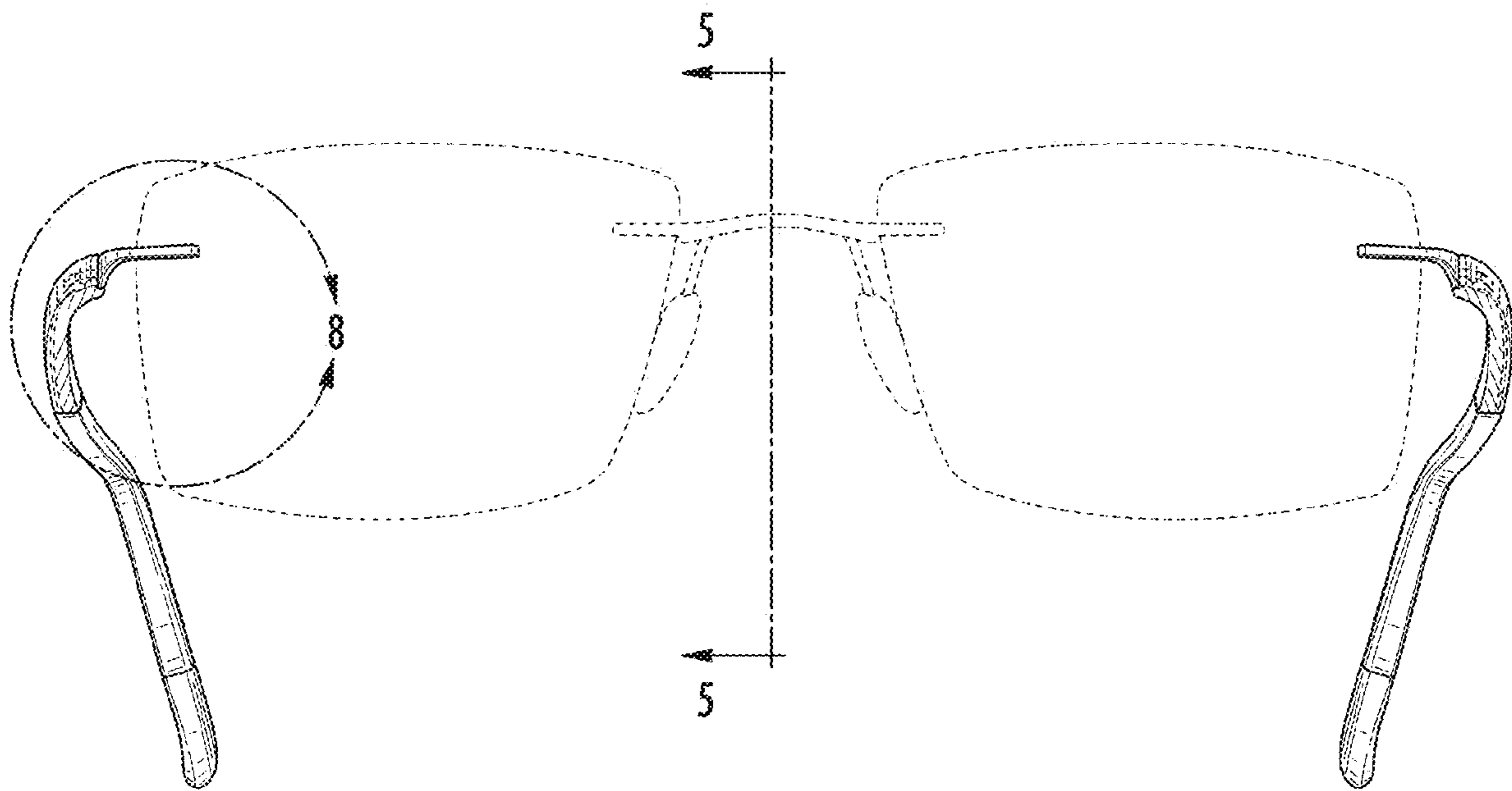


FIG. 2

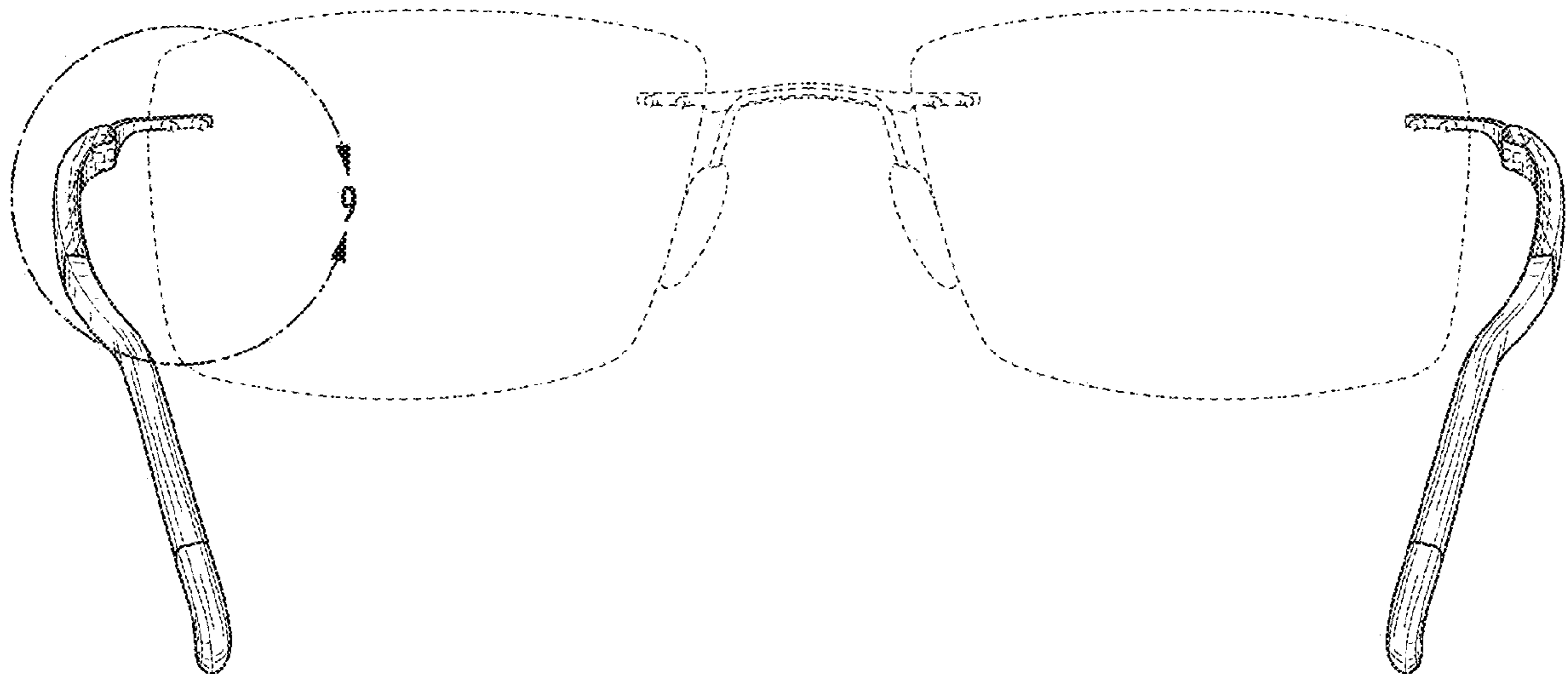


FIG. 3

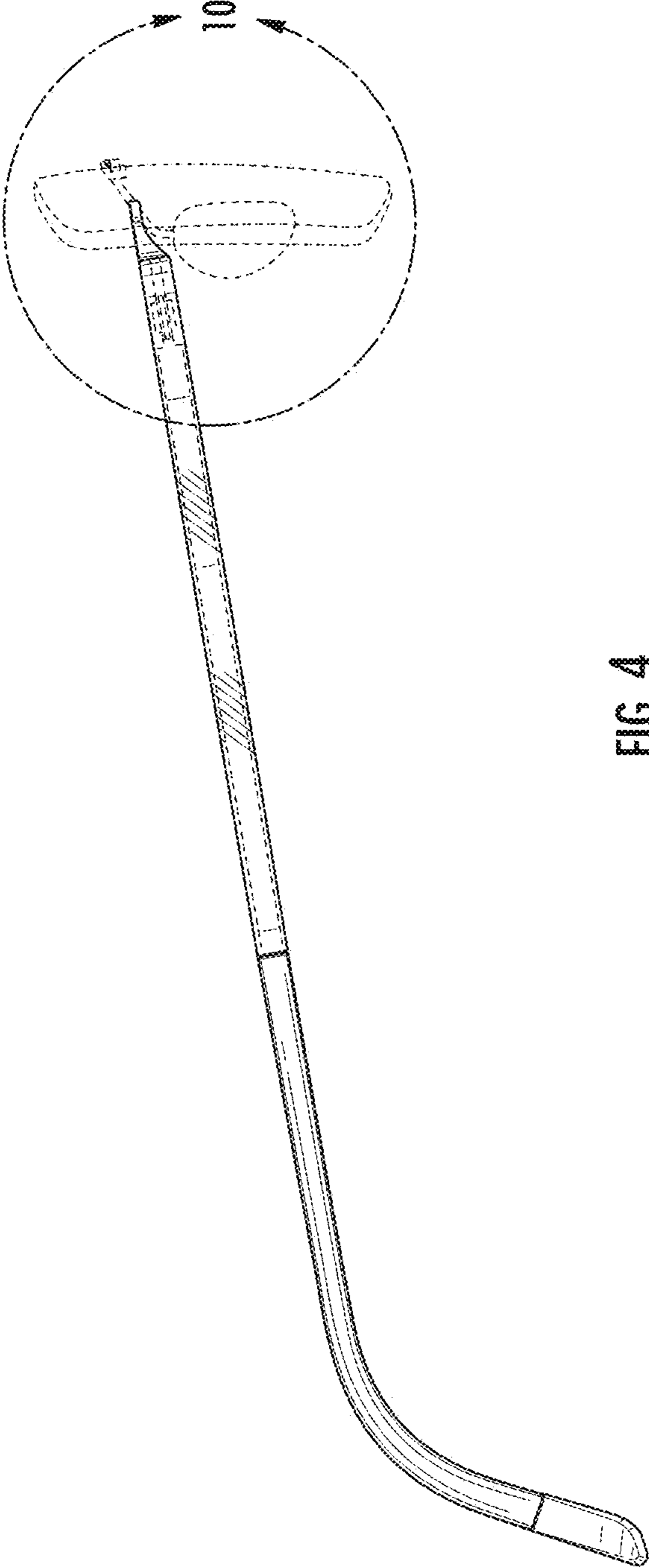


FIG. 4

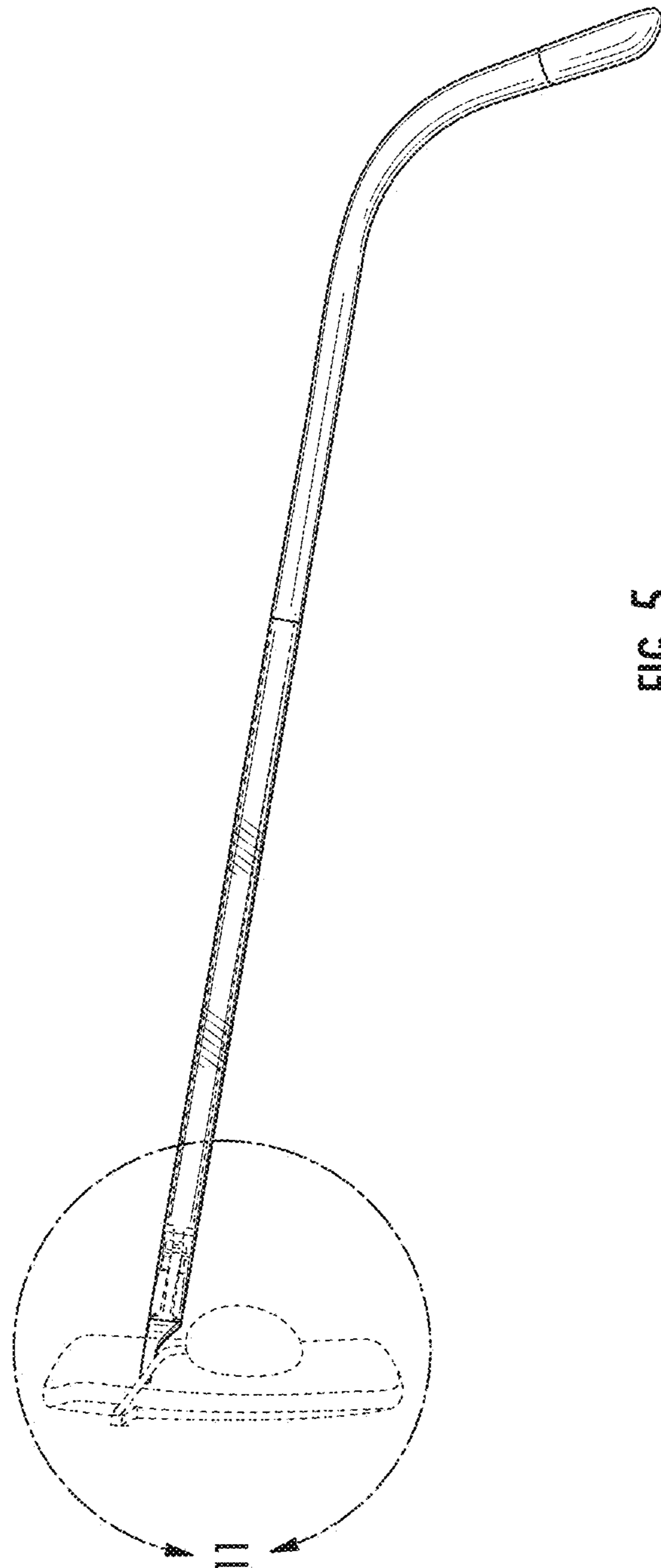


FIG. 5



FIG. 6

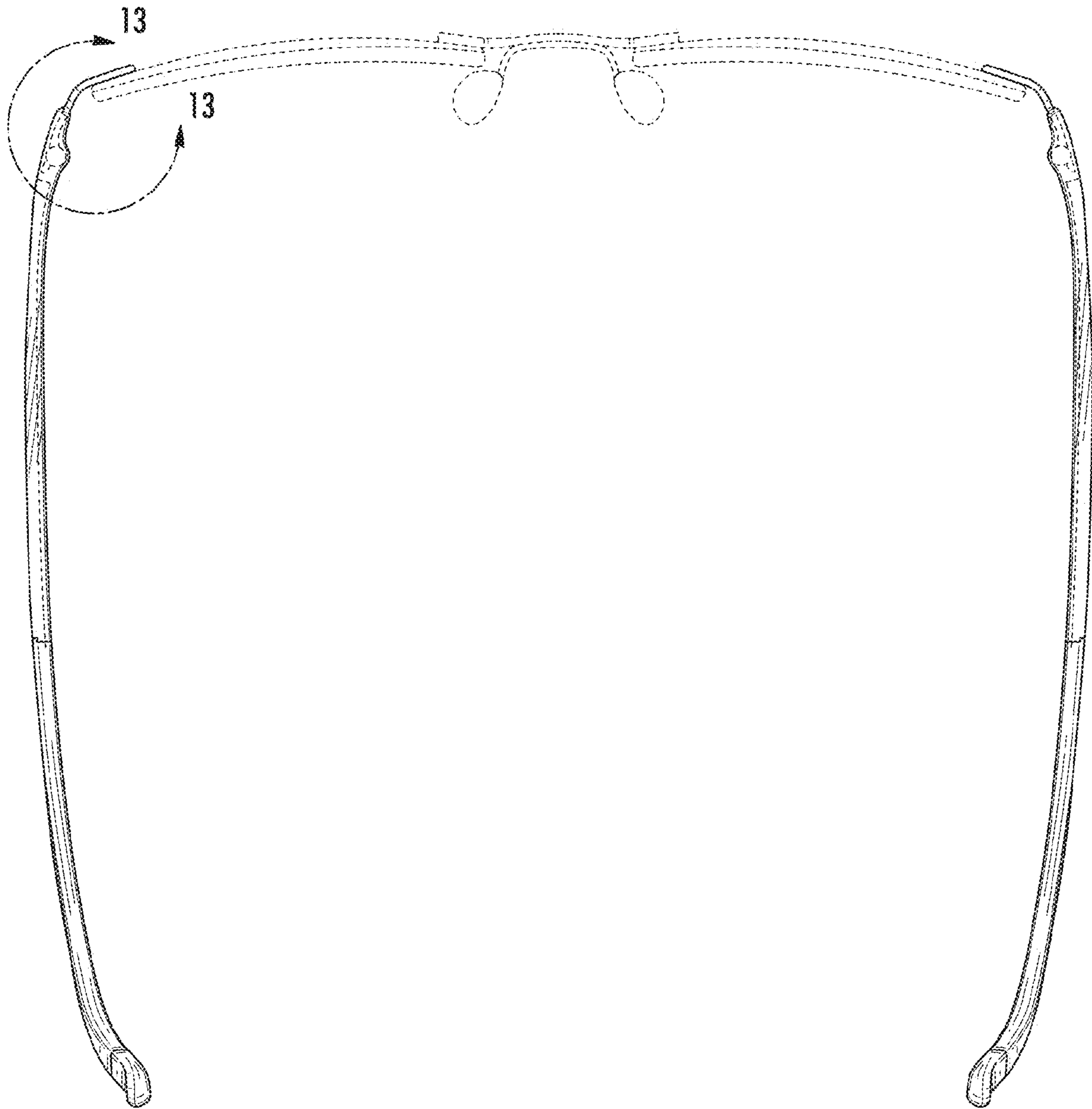


FIG. 7

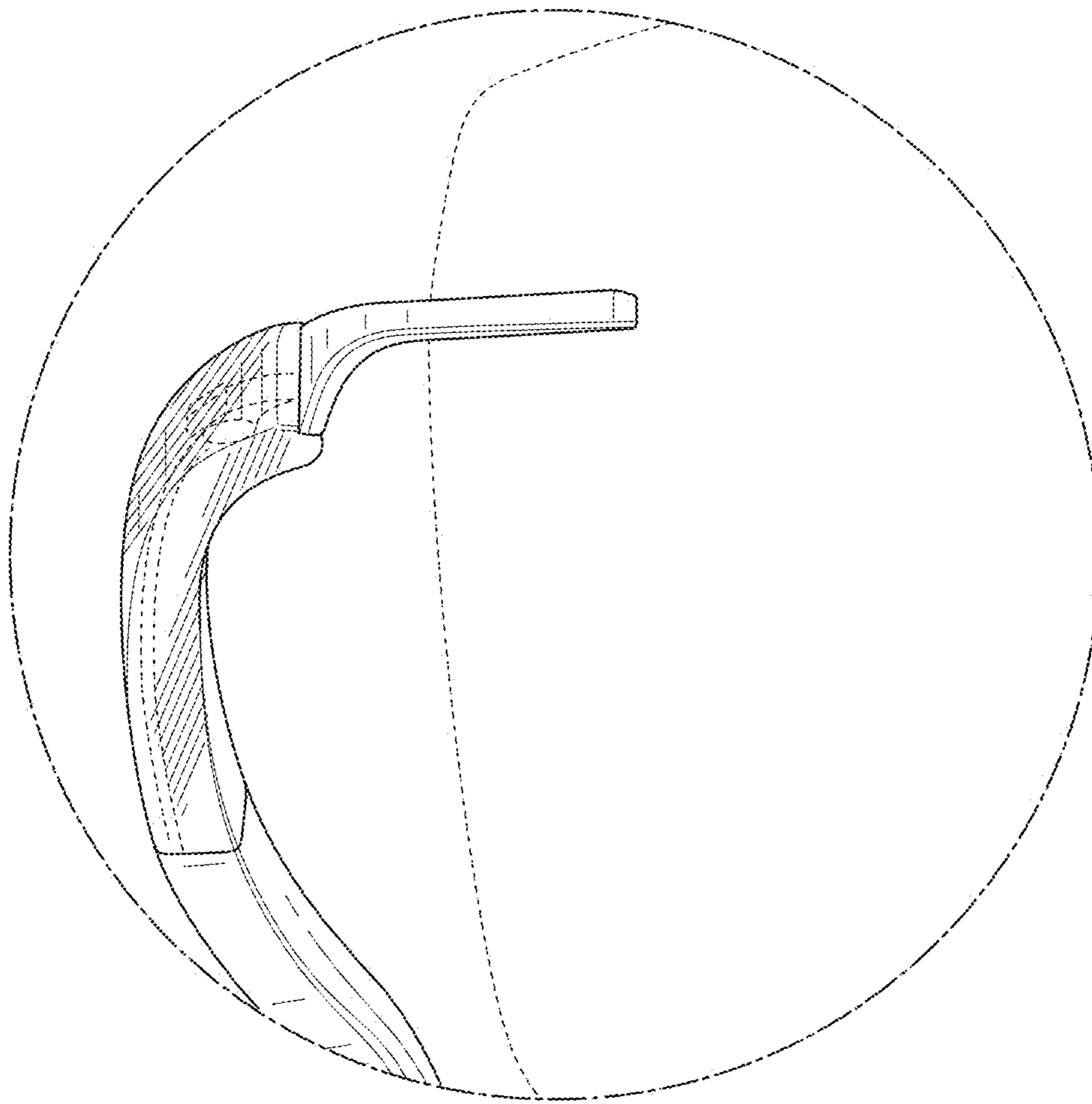


FIG. 8

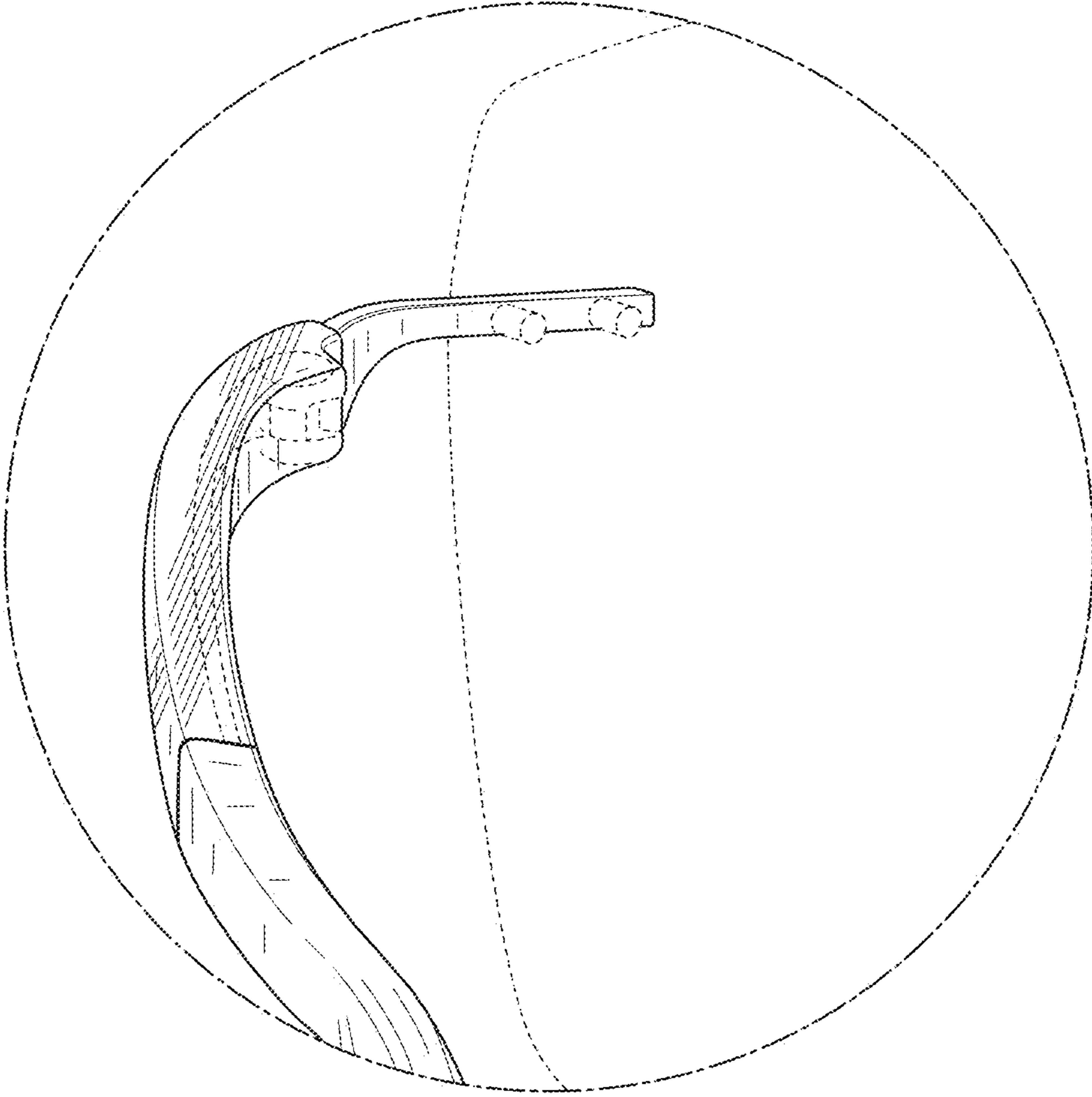


FIG. 9

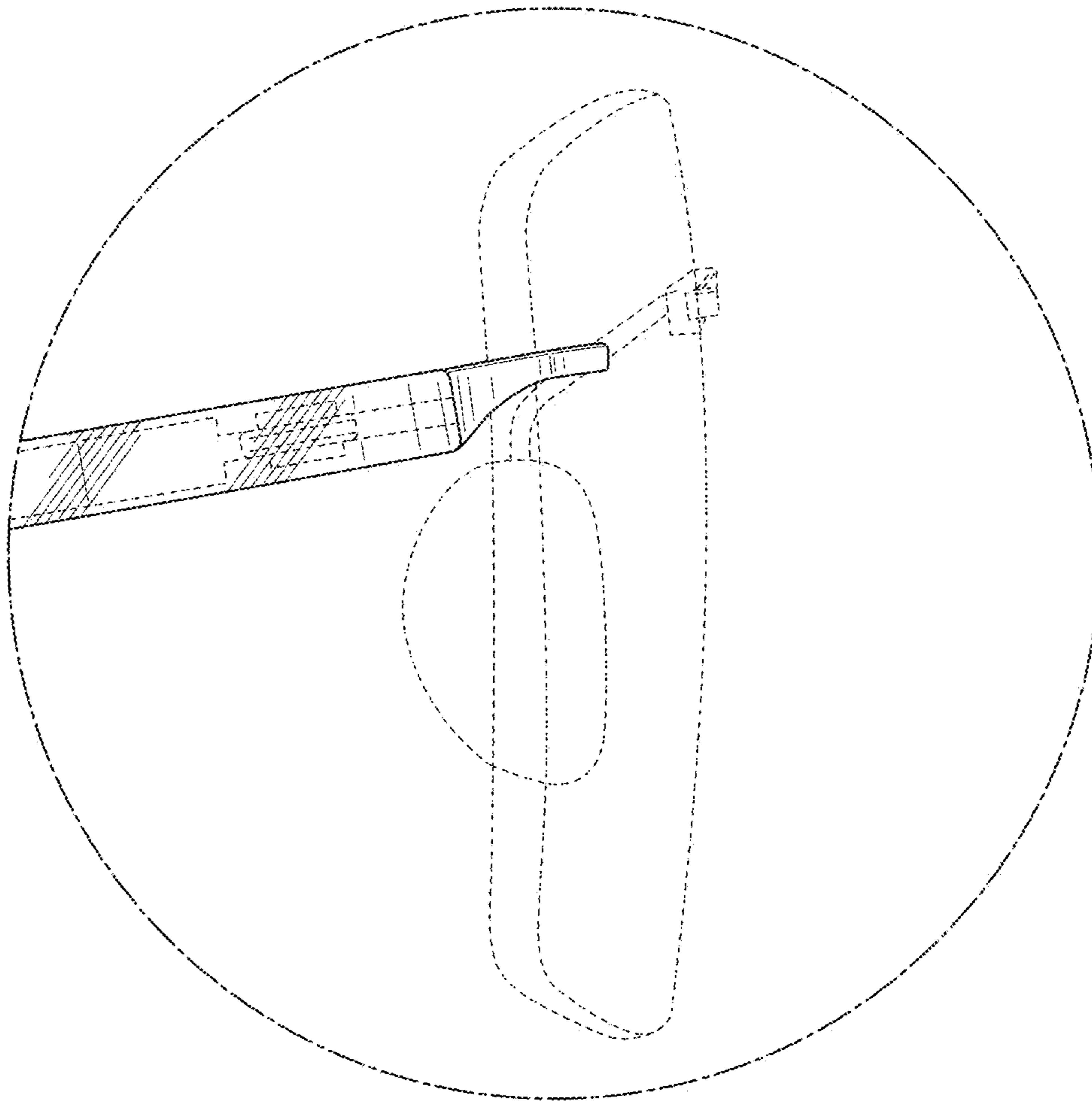


FIG. 10

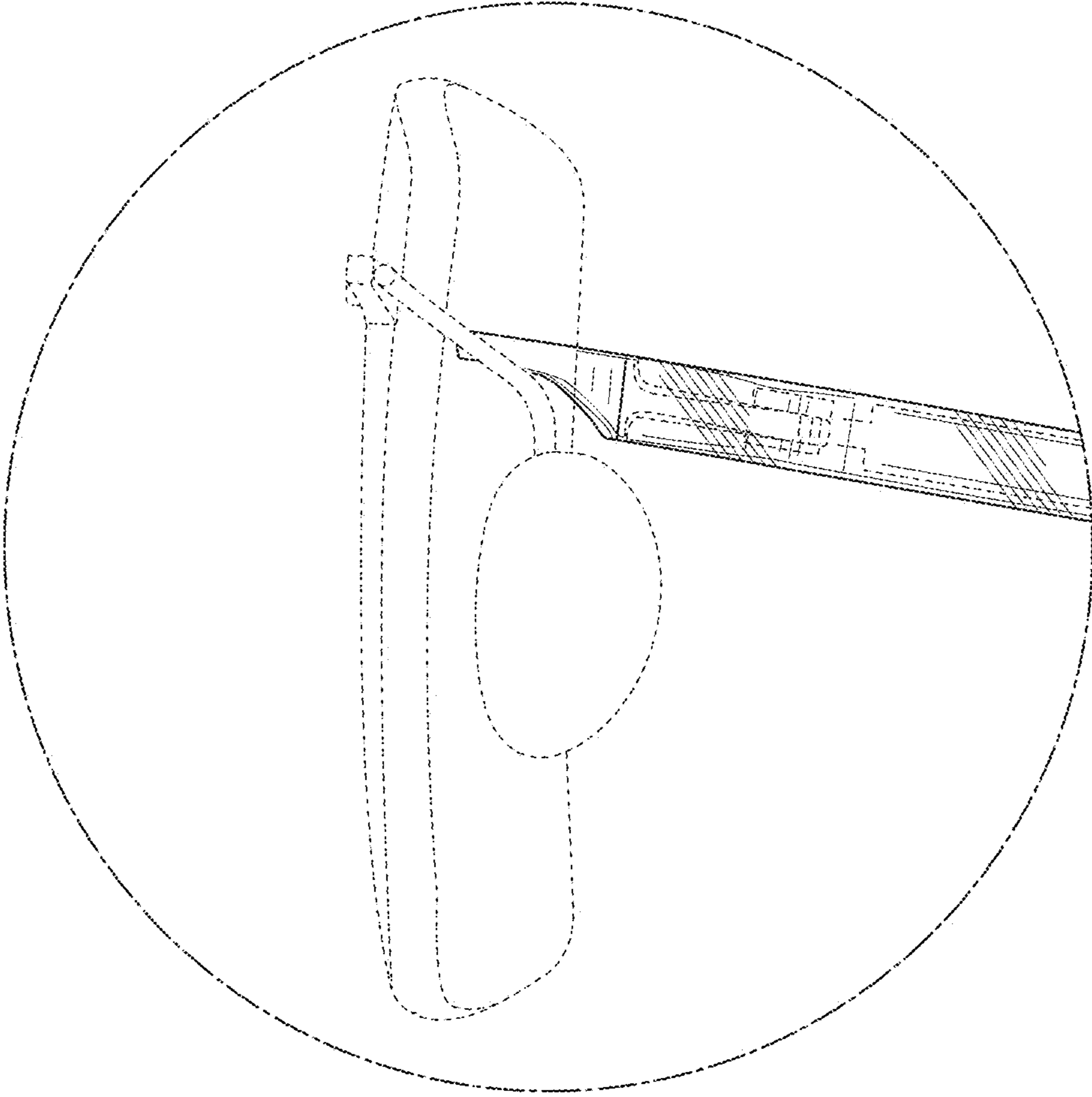


FIG. 11

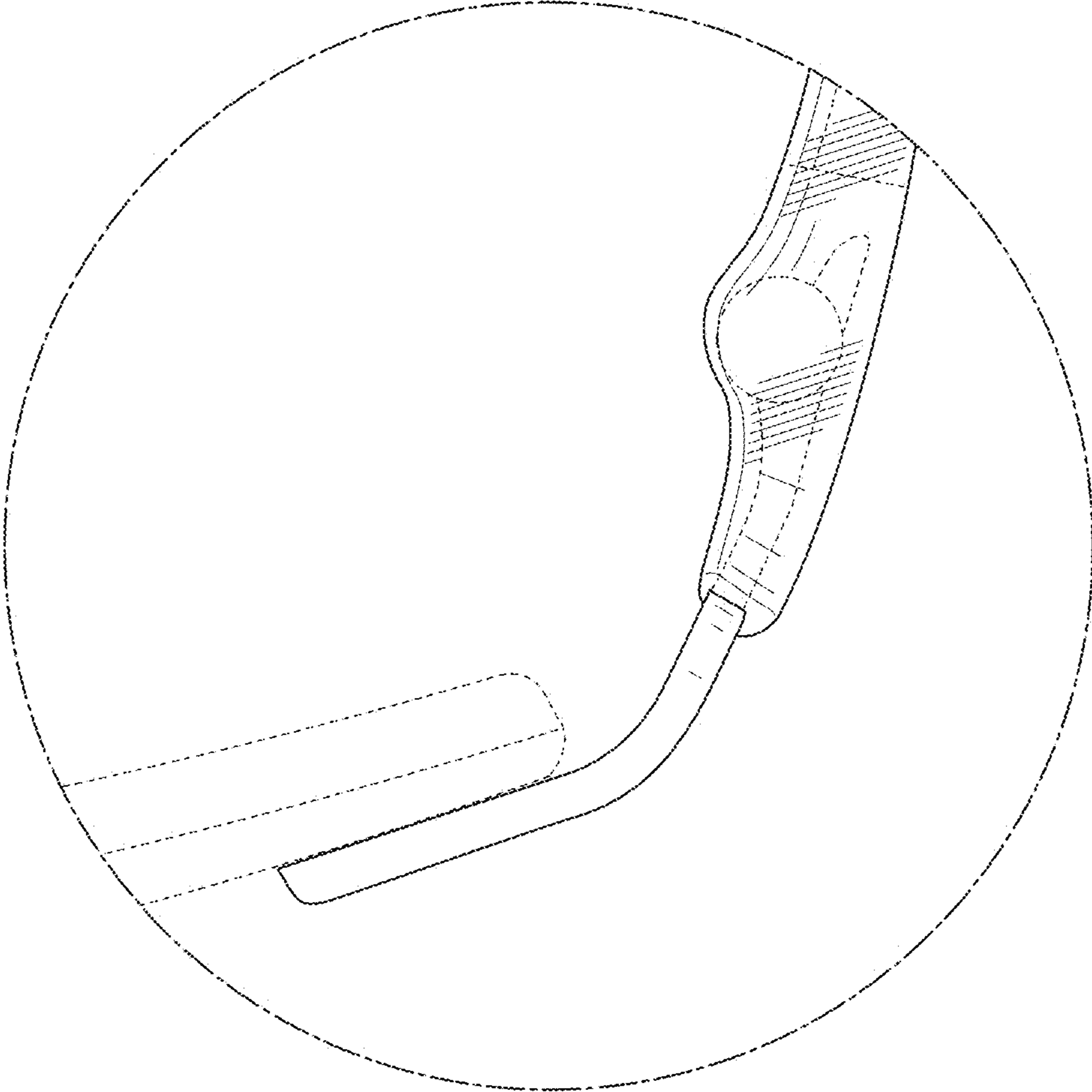


FIG. 12

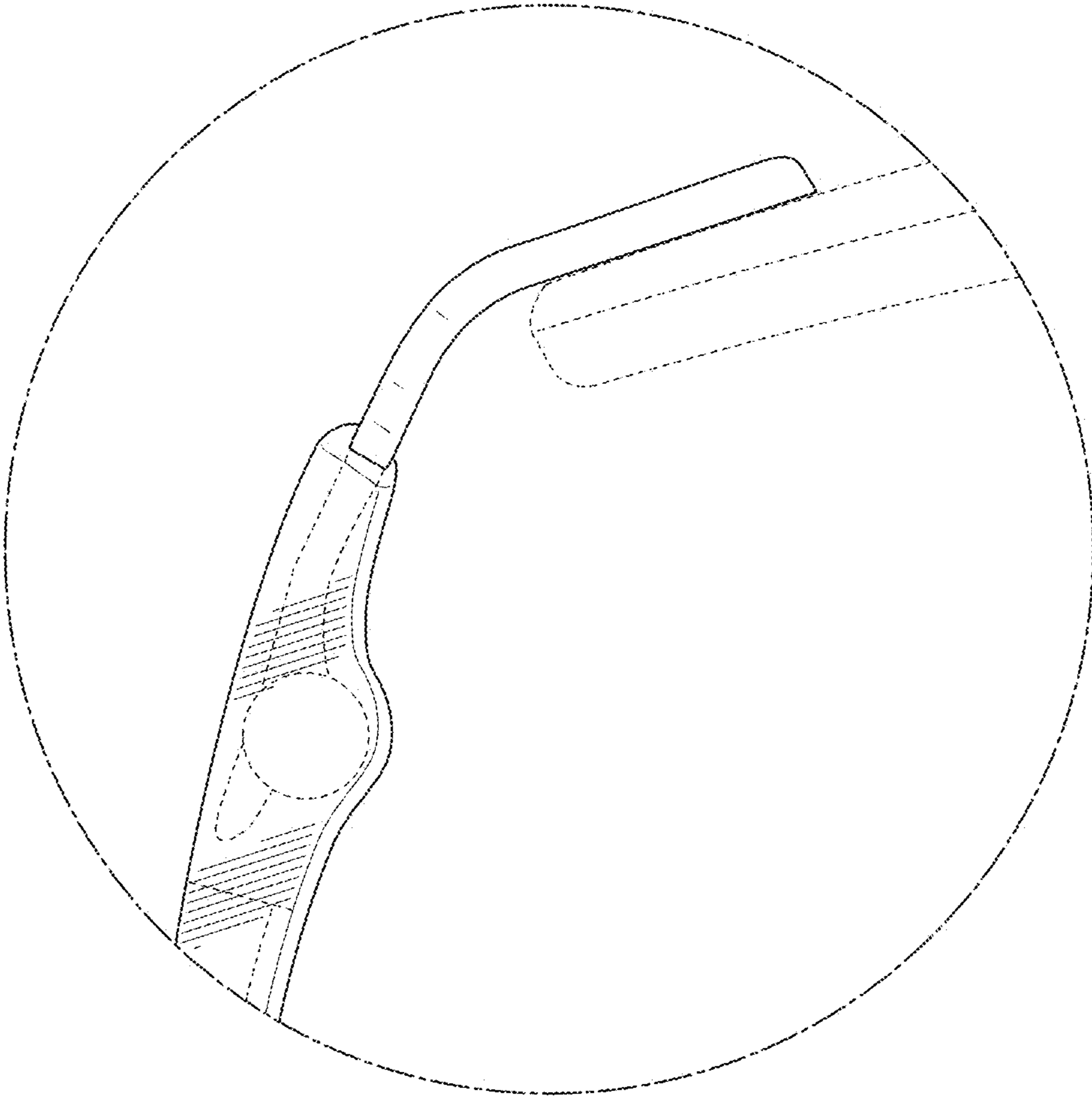


FIG. 13

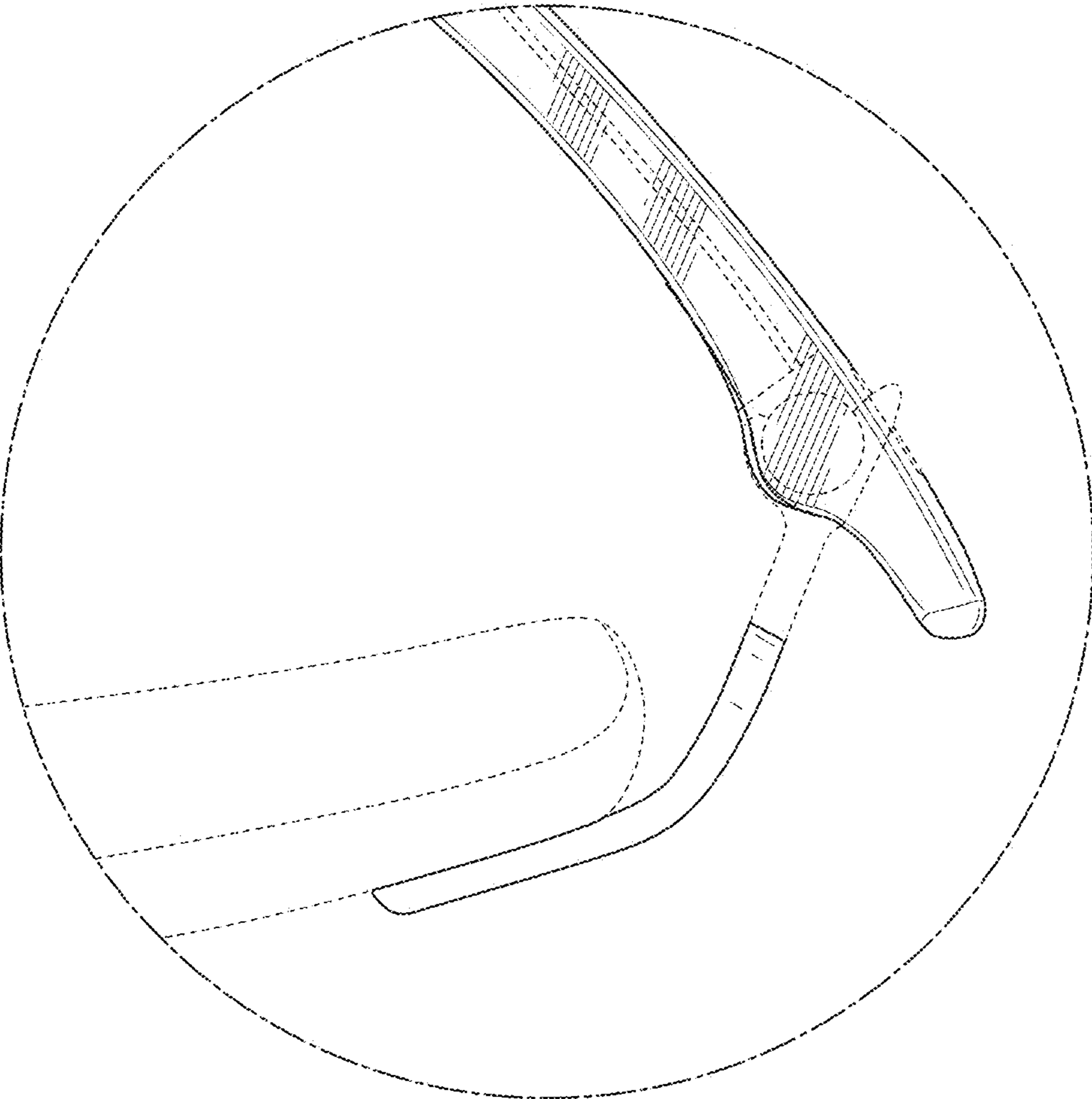


FIG. 14