



US00D884063S

(12) **United States Design Patent**
Thixton

(10) **Patent No.:** **US D884,063 S**

(45) **Date of Patent:** **** May 12, 2020**

- (54) **EYEGLASSES**
- (71) Applicant: **Oakley, Inc.**, Foothill Ranch, CA (US)
- (72) Inventor: **Lek Haagen Thixton**, Eastsound, WA (US)
- (73) Assignee: **Oakley, Inc.**, Foothill Ranch, CA (US)
- (**) Term: **15 Years**
- (21) Appl. No.: **29/679,516**
- (22) Filed: **Feb. 7, 2019**
- (51) **LOC (12) Cl.** **16-06**
- (52) **U.S. Cl.**
USPC **D16/315; D16/319; D16/327**
- (58) **Field of Classification Search**
USPC D16/100, 101, 300-329, 330, 332-342;
D29/106, 107, 110
CPC ... G02C 5/00; G02C 5/02; G02C 5/10; G02C
5/14; G02C 5/16
See application file for complete search history.

- D703,732 S * 4/2014 Markovitz D16/320
- D705,340 S 5/2014 Shin
- D714,858 S 10/2014 Thixton
- D728,008 S 4/2015 Thixton
- D742,958 S * 11/2015 Teodorovic D16/300
- D745,595 S * 12/2015 Szymanski D16/303
- D746,358 S * 12/2015 Markovitz D16/320
- D748,188 S 1/2016 Shin
- D756,447 S * 5/2016 Jamin D16/320
- D757,833 S * 5/2016 Pfanner D16/101
- D770,559 S 11/2016 Shin
- D771,739 S 11/2016 Shin
- D783,083 S 4/2017 Shin
- D794,112 S 8/2017 Spiegel et al.
- D810,815 S 2/2018 Yoo
- D815,188 S * 4/2018 Markovitz D16/325
- D820,347 S 6/2018 Chae
- D822,755 S 7/2018 Spiegel et al.
- D823,930 S 7/2018 Garfias

(Continued)

Primary Examiner — Cathron C Brooks
Assistant Examiner — Sharon S Oum
 (74) *Attorney, Agent, or Firm* — Sterne, Kessler,
 Goldstein & Fox P.L.L.C.

(57) **CLAIM**

The ornamental design for eyeglasses, as shown and described.

DESCRIPTION

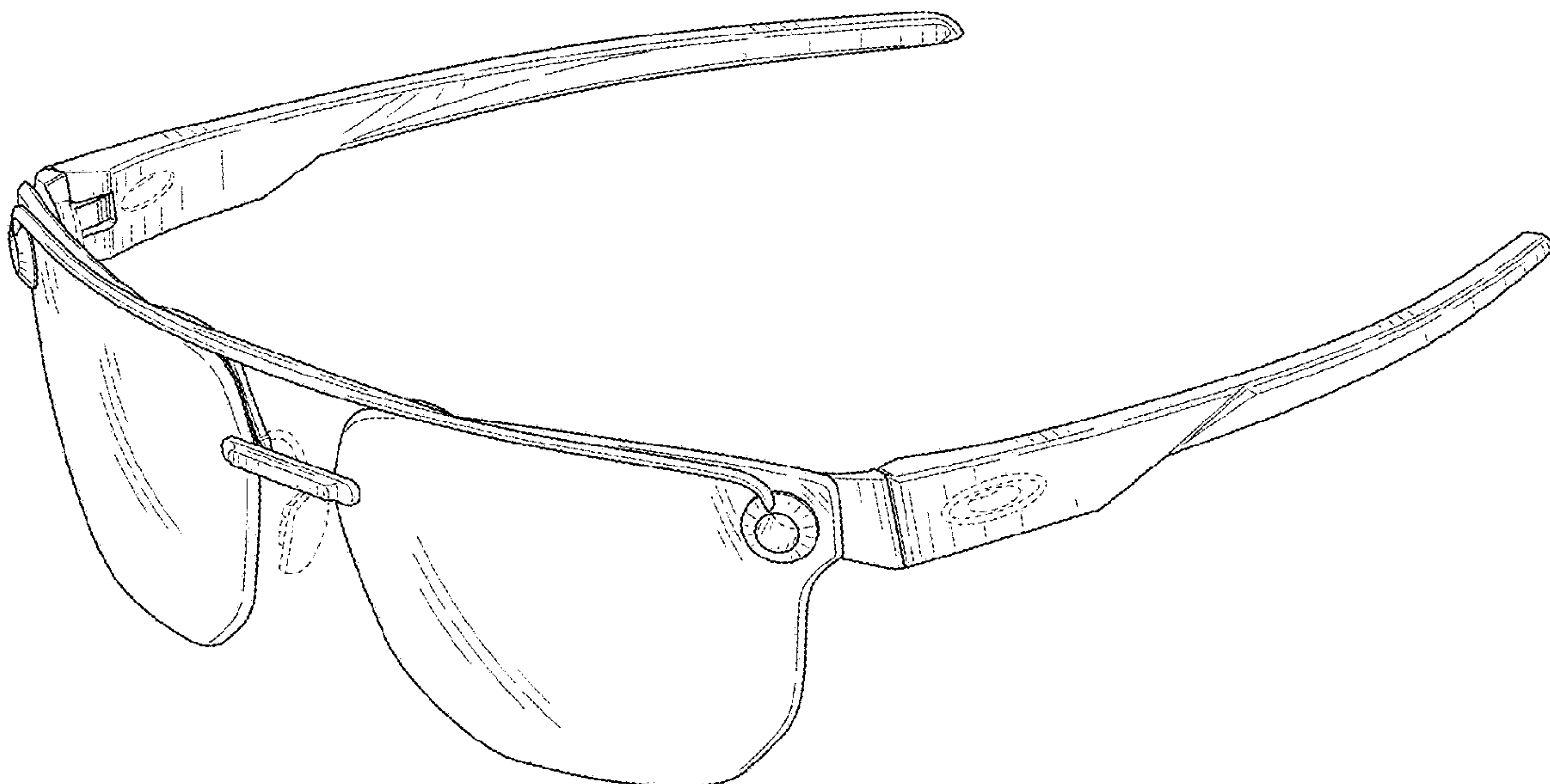
FIG. 1 is a top front perspective view of eyeglasses showing the claimed design;
 FIG. 2 is a front view thereof;
 FIG. 3 is a rear view thereof;
 FIG. 4 is a left side view thereof, the right side view being a mirror image thereof;
 FIG. 5 is a top view thereof; and,
 FIG. 6 is a bottom view thereof.
 The broken lines in the figures show portions of the eyeglasses that form no part of the claimed design.

1 Claim, 5 Drawing Sheets

(56) **References Cited**

U.S. PATENT DOCUMENTS

- D219,838 S * 2/1971 Tagnon D16/320
- D220,405 S * 4/1971 Tagnon D16/315
- D229,975 S * 1/1974 Klugmann D16/309
- D349,123 S * 7/1994 Cooley D16/309
- D401,606 S * 11/1998 Kasprzyk D16/300
- D466,544 S * 12/2002 Jamin D16/314
- D579,480 S 10/2008 Yee et al.
- D579,968 S 11/2008 Yee et al.
- D623,684 S 9/2010 Yee
- D653,699 S 2/2012 Shin
- 8,403,477 B2 * 3/2013 Ogren G02C 5/12
351/136
- D692,047 S 10/2013 Shin
- D700,933 S 3/2014 Shin
- D702,757 S 4/2014 Thixton et al.



(56)

References Cited

U.S. PATENT DOCUMENTS

D823,931 S	7/2018	Shin	
D836,707 S *	12/2018	Duval	D16/326
D843,440 S *	3/2019	Sanchez	D16/326
D861,062 S *	9/2019	Jamin	D16/315
D873,899 S *	1/2020	Jamin	D16/300
D878,774 S *	3/2020	Lee	D6/300
2016/0157028 A1 *	6/2016	McCracken	H04R 25/405 381/313
2019/0265508 A1 *	8/2019	Castaneda	A61B 5/024

* cited by examiner

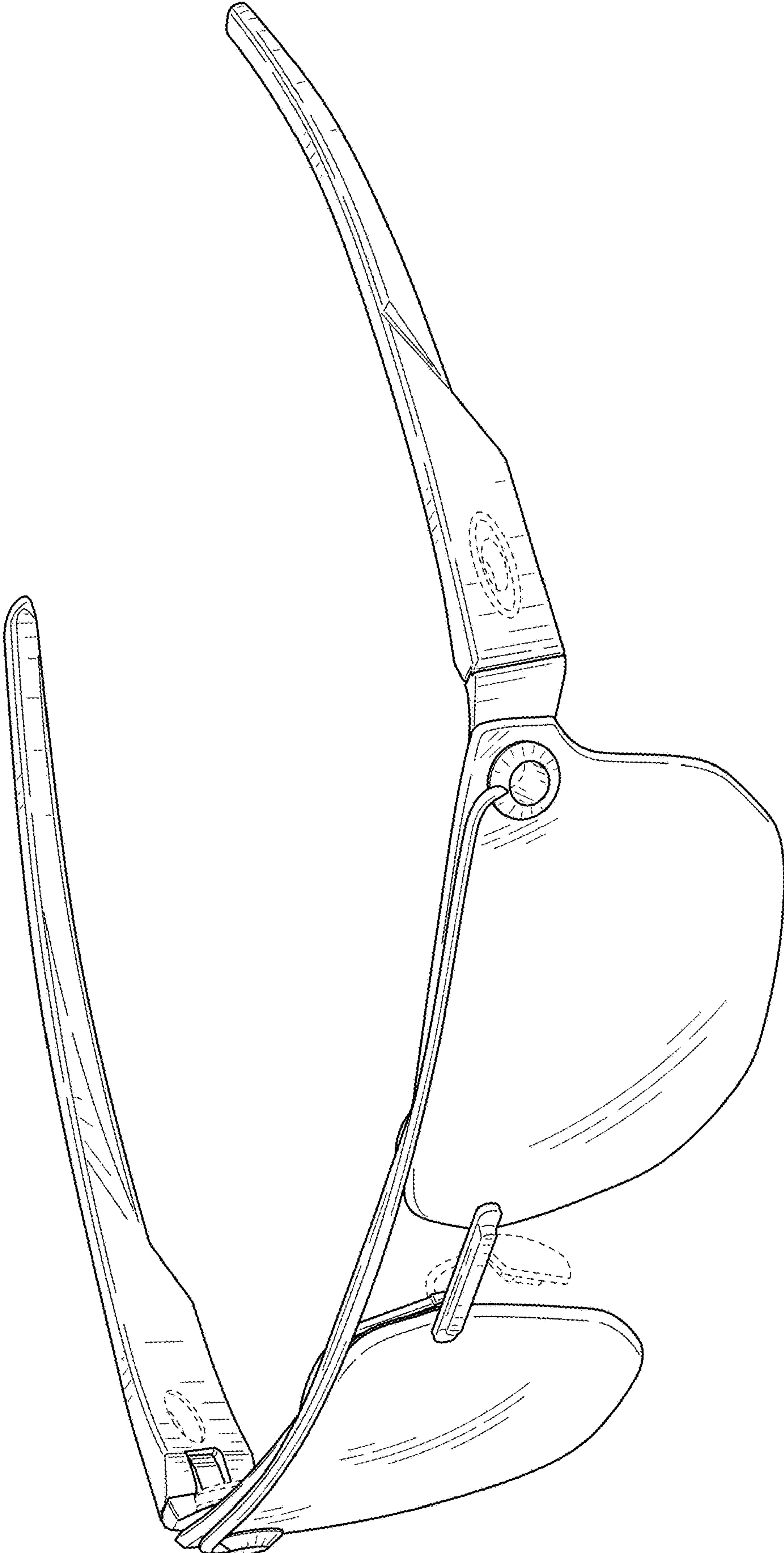


FIG. 1

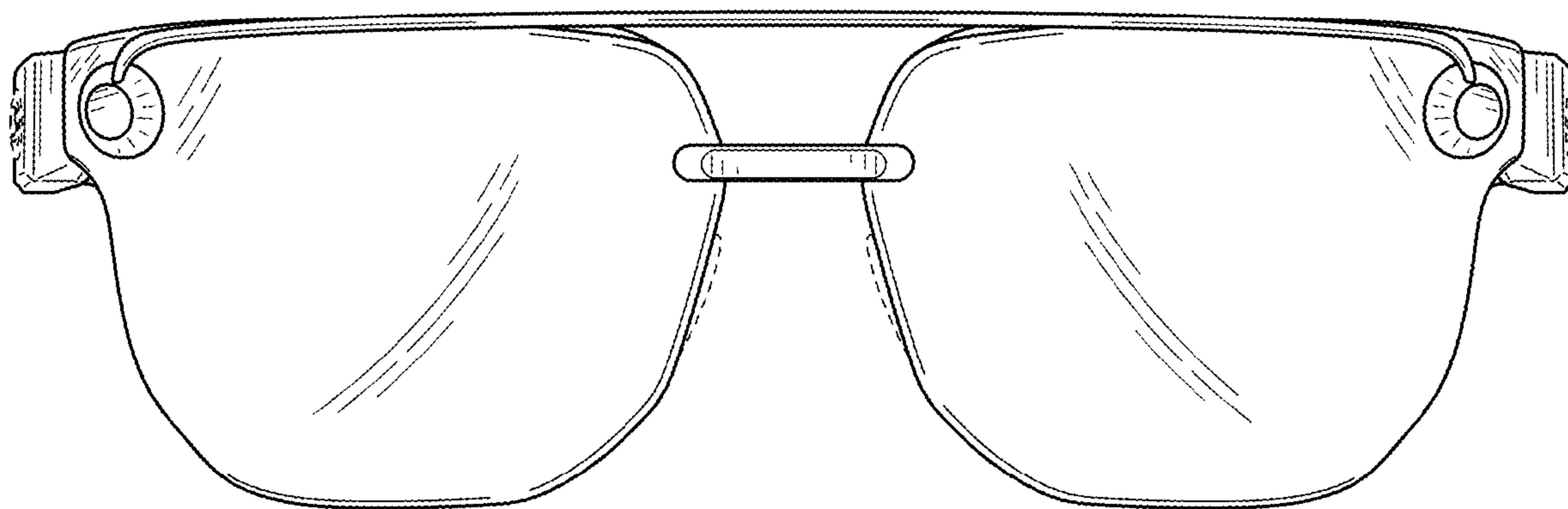


FIG. 2

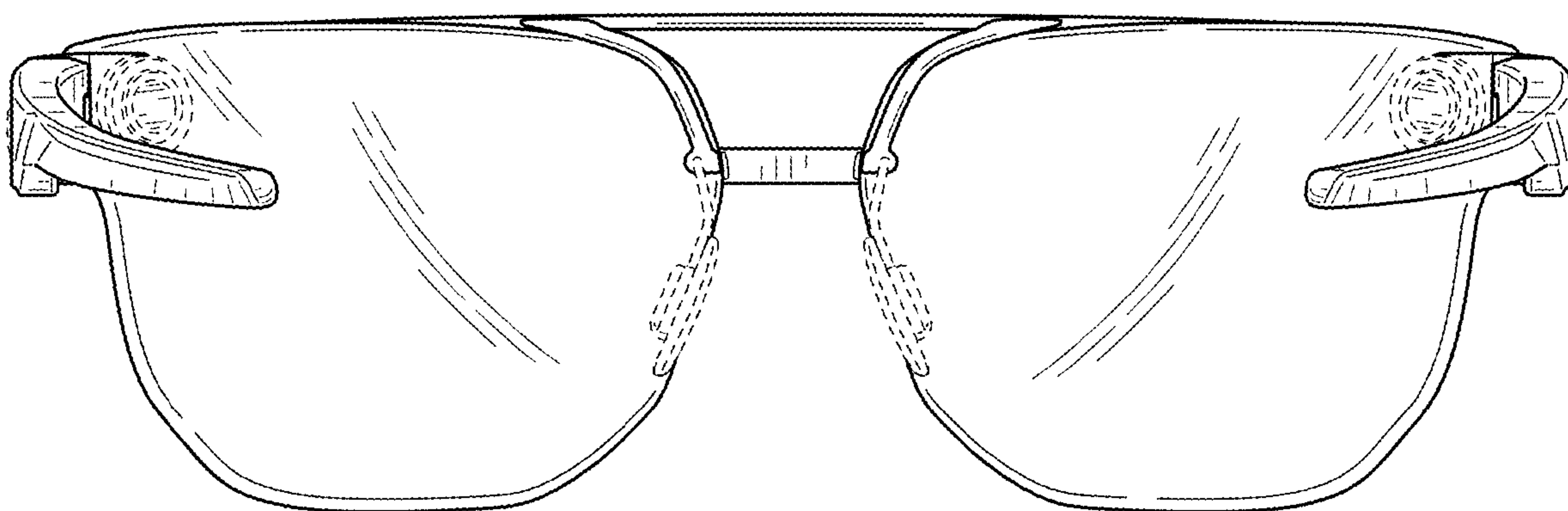


FIG. 3

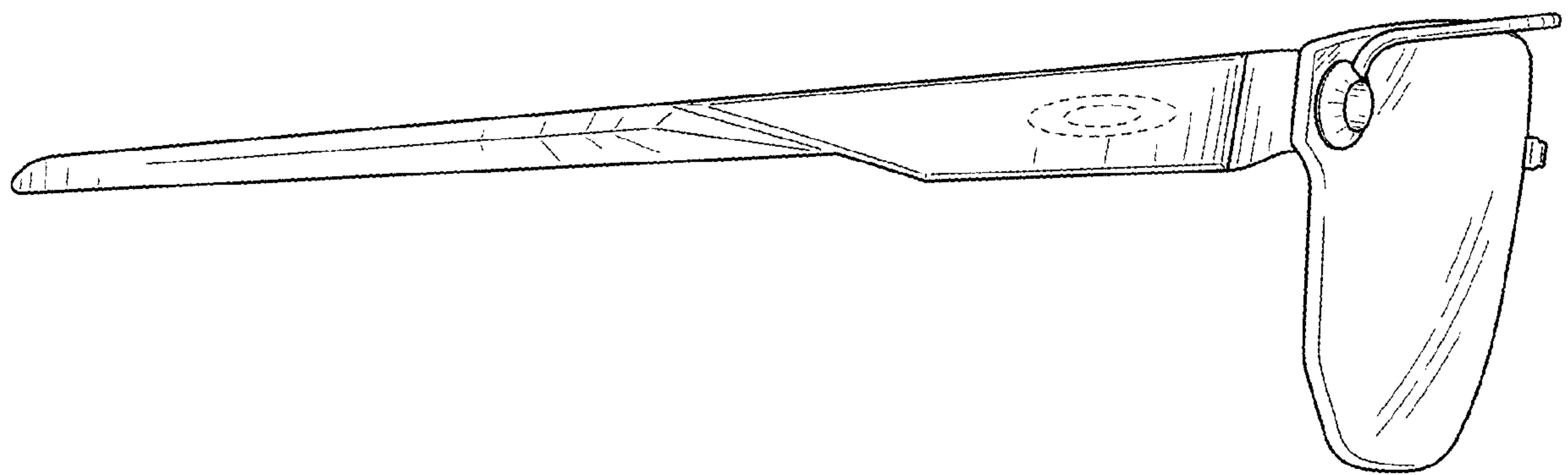


FIG. 4

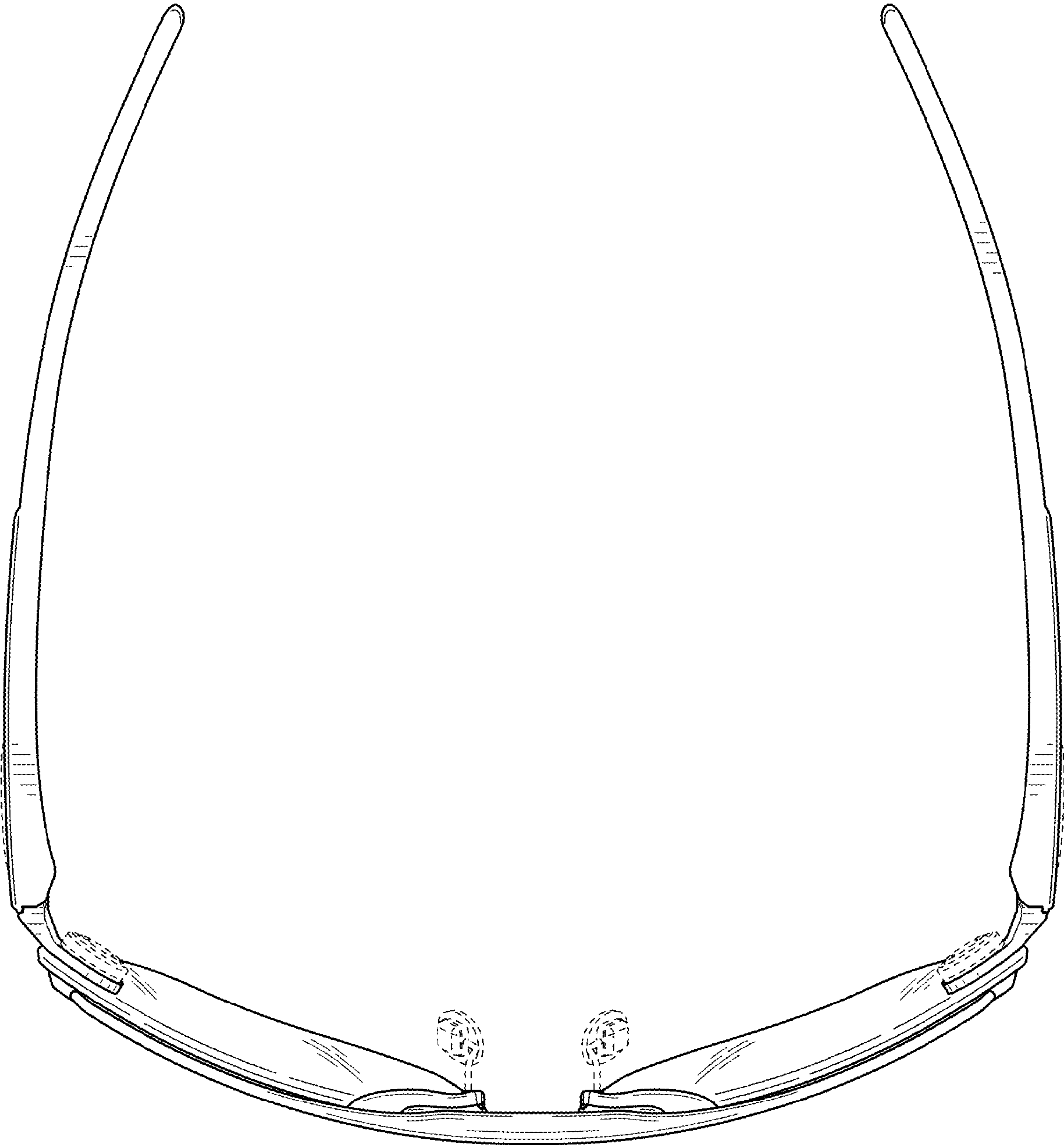


FIG. 5

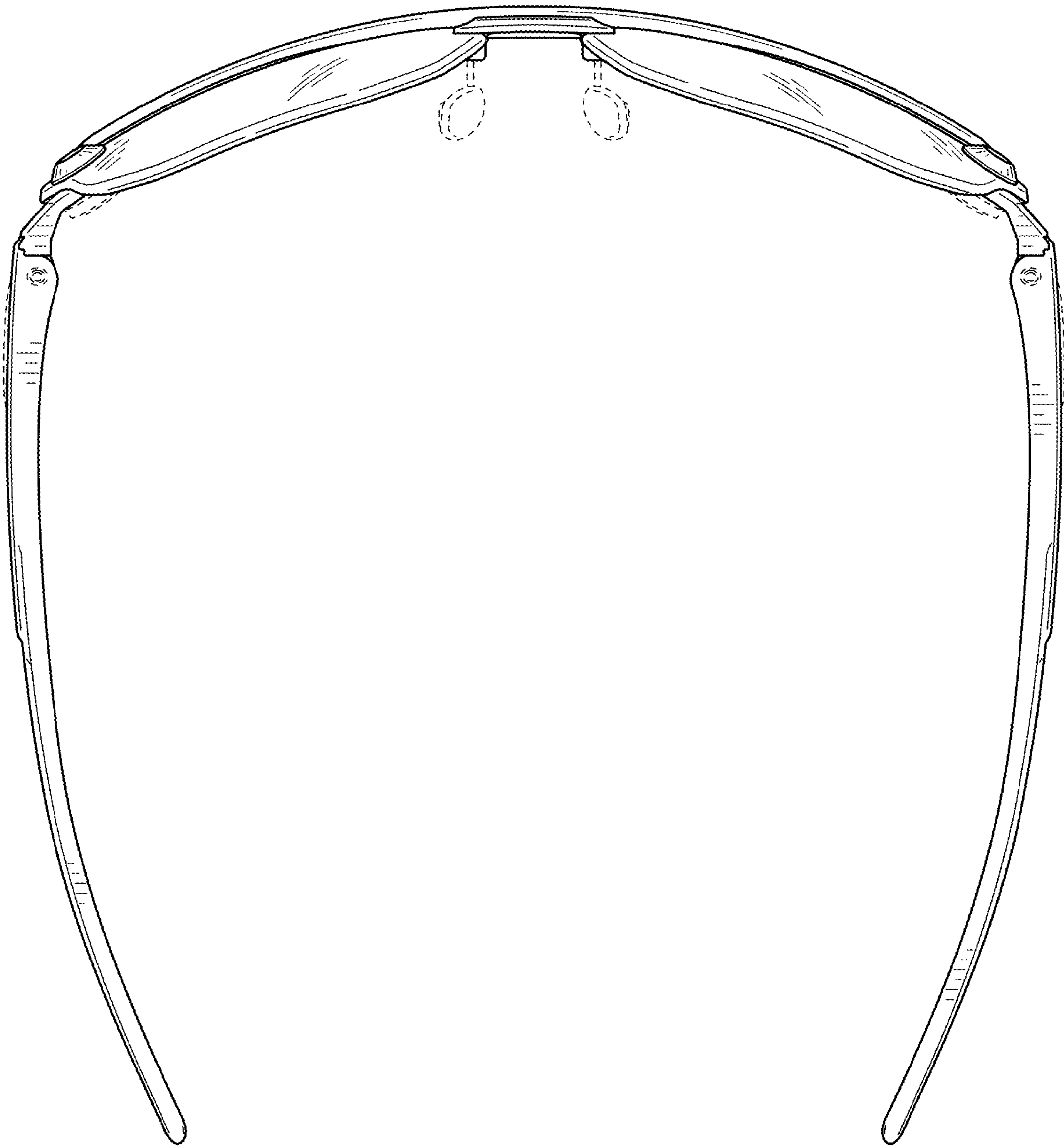


FIG. 6