



US00D884061S

(12) **United States Design Patent** (10) **Patent No.:** **US D884,061 S**  
**Arens et al.** (45) **Date of Patent:** **\*\* May 12, 2020**

(54) **IMAGE DEVICE HOLDER**

(71) Applicant: **Google LLC**, Mountain View, CA (US)

(72) Inventors: **Michael Robert Arens**, San Francisco, CA (US); **John Lapetina**, San Francisco, CA (US); **Tressa Christie Scott**, Roxbury Crossing, MA (US); **Matthew Donald Wilson**, Shoreline, WA (US); **Eva Ariella Siobhan Snee**, Seattle, WA (US); **Juston Payne**, San Mateo, CA (US); **Aaron Michael Donsbach**, Seattle, WA (US); **Kenneth Sweet**, San Francisco, CA (US); **Maj Isabelle Olsson**, Sunnyvale, CA (US); **Natalie Naruns**, Los Altos, CA (US); **Dong Rim Lee**, San Jose, CA (US)

(73) Assignee: **Google LLC**, Mountain View, CA (US)

(\*\*) Term: **15 Years**

(21) Appl. No.: **29/688,757**

(22) Filed: **Apr. 24, 2019**

**Related U.S. Application Data**

(60) Continuation of application No. 29/671,702, filed on Nov. 29, 2018, now Pat. No. Des. 871,491, which is a division of application No. 29/618,869, filed on Sep. 25, 2017, now Pat. No. Des. 839,949.

(51) **LOC (12) Cl.** ..... **16-05**

(52) **U.S. Cl.**  
USPC ..... **D16/242**

(58) **Field of Classification Search**  
USPC ..... D16/219, 237-250; D8/354, 355, 363, D8/373, 382-383, 394-396; D14/224, D14/229, 238, 251, 447, 451, 457  
CPC ..... H04N 5/2253-2254; G03B 17/561-568; G03B 17/56; G02B 7/00-002; F16M  
(Continued)

(56) **References Cited**

U.S. PATENT DOCUMENTS

D239,082 S 3/1976 Manning  
D251,426 S 3/1979 Molyneux  
D349,041 S 7/1994 Wical  
(Continued)

OTHER PUBLICATIONS

Google Clip a camera with its own artificial intelligence system Future technology.[online] Published Oct. 19, 2017. Retrieved May 14, 2018 from URL: <http://itechfuture.com/google-clip-a-camera-with-its-own-artificial-intelligence-system/>.  
(Continued)

*Primary Examiner* — Vy N Koenig  
(74) *Attorney, Agent, or Firm* — Lerner, David, Littenberg, Krumholz & Mentlik, LLP

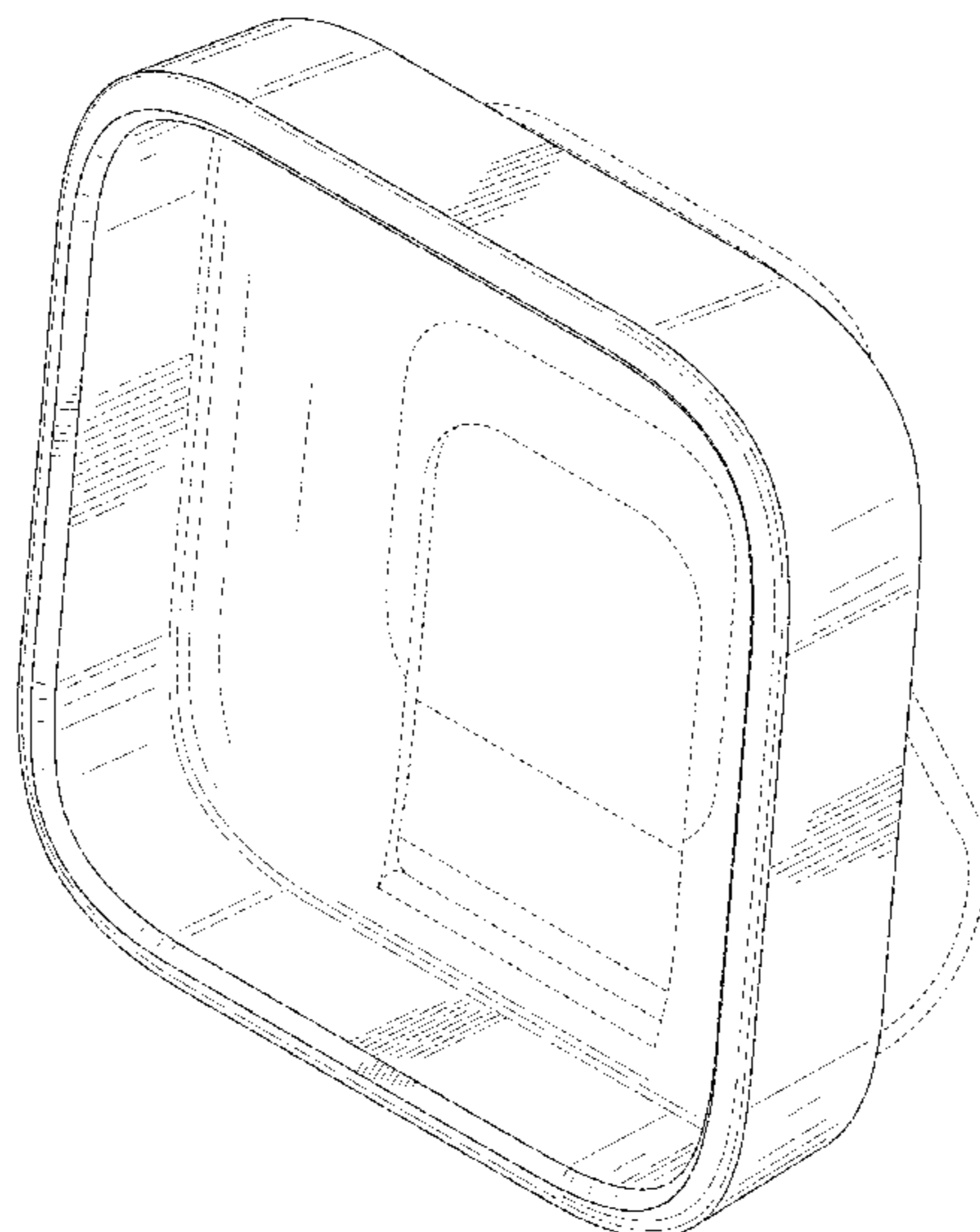
(57) **CLAIM**

The ornamental design for an image device holder, as shown and described.

**DESCRIPTION**

FIG. 1 is a front, top and left perspective view of an image device holder according to our design;  
FIG. 2 is a rear, top and right perspective view of a device holder thereof;  
FIG. 3 is a front view of a device holder thereof;  
FIG. 4 is a rear view of a device holder thereof;  
FIG. 5 is a side view of a device holder thereof;  
FIG. 6 is a side view of a device holder thereof;  
FIG. 7 is a top view of a device holder thereof; and,  
FIG. 8 is a bottom view of a device holder thereof.  
The evenly spaced broken lines and the spaces therein are included for illustrating environmental aspects only and form no part of the claimed design. The unevenly dashed broken lines depict boundaries of the claim that form no part of the claimed design.

**1 Claim, 7 Drawing Sheets**



(58) **Field of Classification Search**  
 CPC ..... 11/14; F16M 11/06–10; A45F  
 2200/0508–0533; A45F 5/00; A45F 5/10  
 See application file for complete search history.

(56) **References Cited**

U.S. PATENT DOCUMENTS

|              |         |                 |         |
|--------------|---------|-----------------|---------|
| D356,244 S   | 3/1995  | Merritt         |         |
| D559,850 S   | 1/2008  | Lye             |         |
| D574,375 S   | 8/2008  | Prest et al.    |         |
| D628,615 S   | 12/2010 | Siegel et al.   |         |
| D643,457 S   | 8/2011  | DeLong          |         |
| D663,726 S   | 7/2012  | Gourley         |         |
| D669,890 S   | 10/2012 | Hopkins et al.  |         |
| D676,737 S   | 2/2013  | Zimmerer        |         |
| D704,246 S   | 5/2014  | Chun            |         |
| D710,836 S   | 8/2014  | Wengreen et al. |         |
| D716,641 S   | 11/2014 | Goodman et al.  |         |
| D727,718 S   | 4/2015  | McLaren Hall    |         |
| D733,787 S * | 7/2015  | Baker .....     | D16/237 |
| D733,788 S   | 7/2015  | Baker et al.    |         |
| D735,260 S   | 7/2015  | Bould et al.    |         |
| D739,387 S   | 9/2015  | Fujioka         |         |
| D754,240 S * | 4/2016  | Samuels .....   | D16/219 |
| D755,786 S   | 5/2016  | Lapetina et al. |         |
| D756,367 S   | 5/2016  | Kim             |         |
| D765,623 S   | 9/2016  | Yang et al.     |         |
| D767,575 S   | 9/2016  | Green           |         |

|                 |         |                |            |
|-----------------|---------|----------------|------------|
| D769,107 S      | 10/2016 | McLaren Hall   |            |
| D771,055 S      | 11/2016 | Sharma et al.  |            |
| D771,616 S      | 11/2016 | Bo             |            |
| D780,187 S      | 2/2017  | Lee            |            |
| D784,346 S *    | 4/2017  | Tao .....      | D10/103    |
| D788,780 S      | 6/2017  | Chen           |            |
| D795,327 S      | 8/2017  | Martin et al.  |            |
| D795,844 S      | 8/2017  | Harper         |            |
| D798,305 S      | 9/2017  | Wengreen       |            |
| D811,413 S      | 2/2018  | Jeong          |            |
| D811,414 S      | 2/2018  | Lee            |            |
| 9,977,226 B2 *  | 5/2018  | Davies .....   | G02B 13/06 |
| D821,482 S *    | 6/2018  | Bacon .....    | D16/237    |
| D825,548 S *    | 8/2018  | Lebovitz ..... | D14/253    |
| D839,949 S      | 2/2019  | Arens et al.   |            |
| 10,234,100 B2 * | 3/2019  | Kong .....     | F21V 5/04  |
| D857,077 S *    | 8/2019  | Arens .....    | D16/202    |
| D861,766 S *    | 10/2019 | Lim .....      | D16/237    |
| 2013/0148955 A1 | 6/2013  | Overall        |            |

OTHER PUBLICATIONS

Narrative Clip 2. [online] Published May 20, 2015. Retrieved May 14, 2018 from U RL: <http://blog.getnarrative.com/2015/05/did-you-win-a-narrative-clip-2-if-not-theres-another-way-to-win/>.  
 Notice of Grant issued in Chinese Patent Application 201830110217.7, dated Jan. 23, 2019, 3 pages.

\* cited by examiner

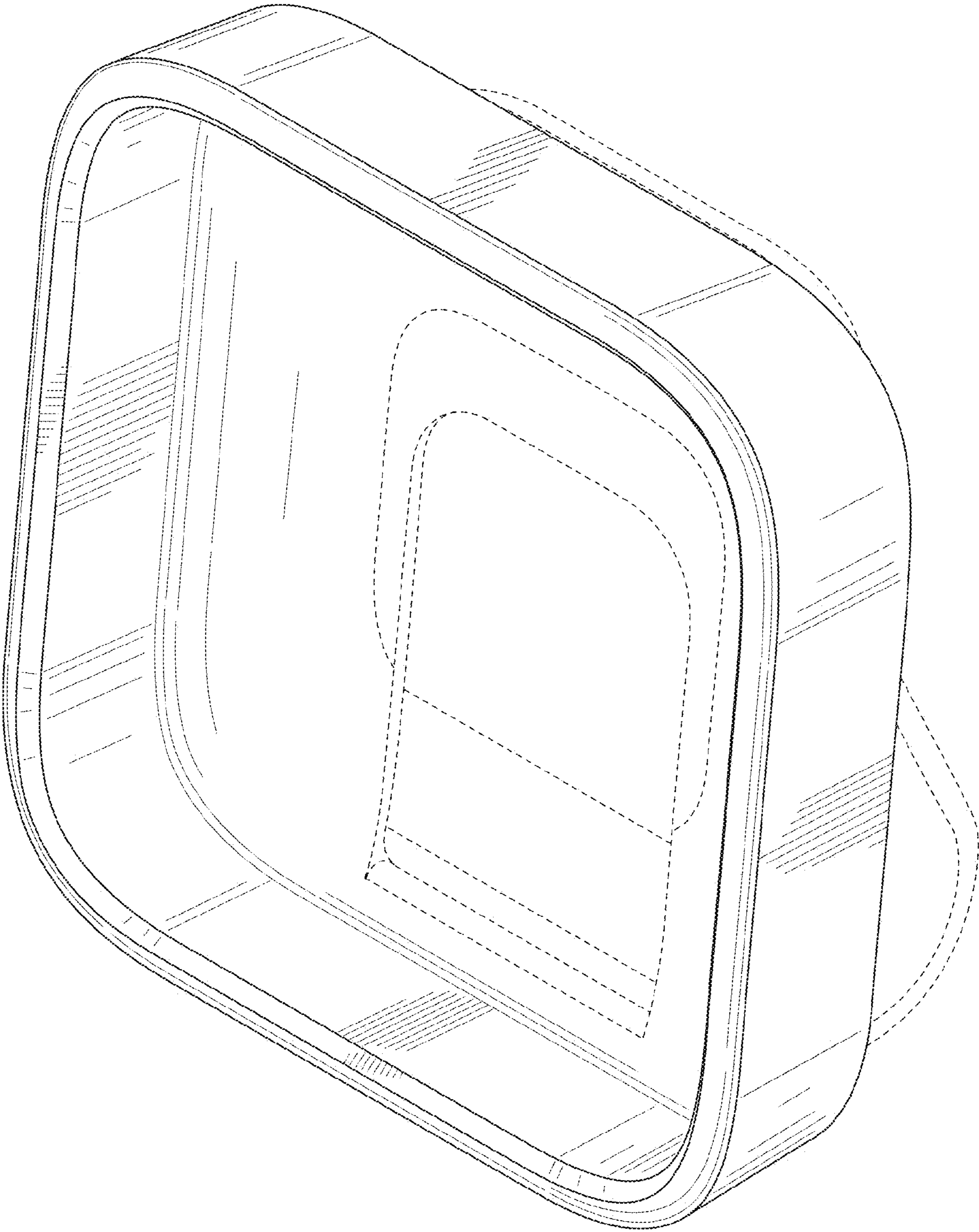


FIG. 1

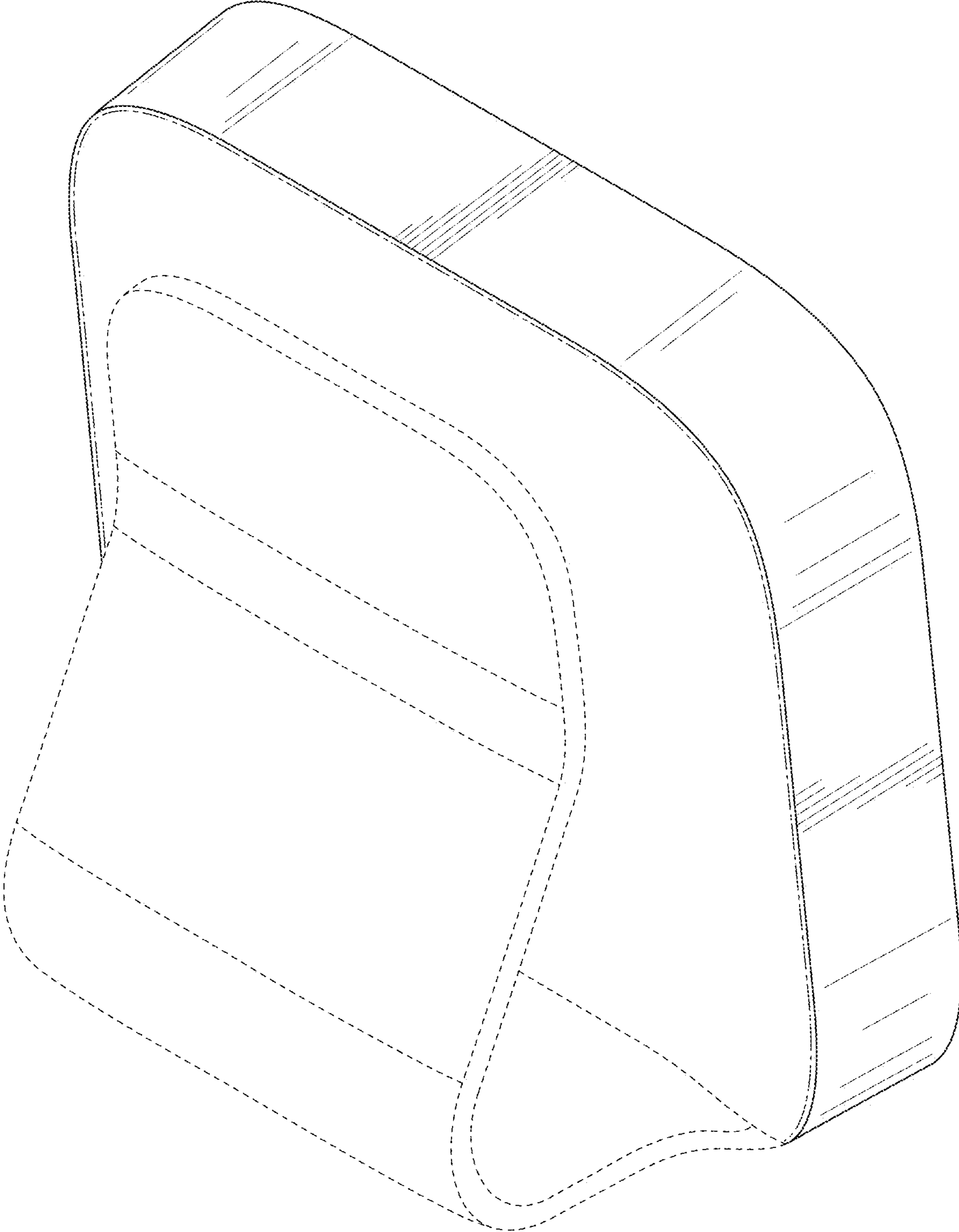


FIG. 2

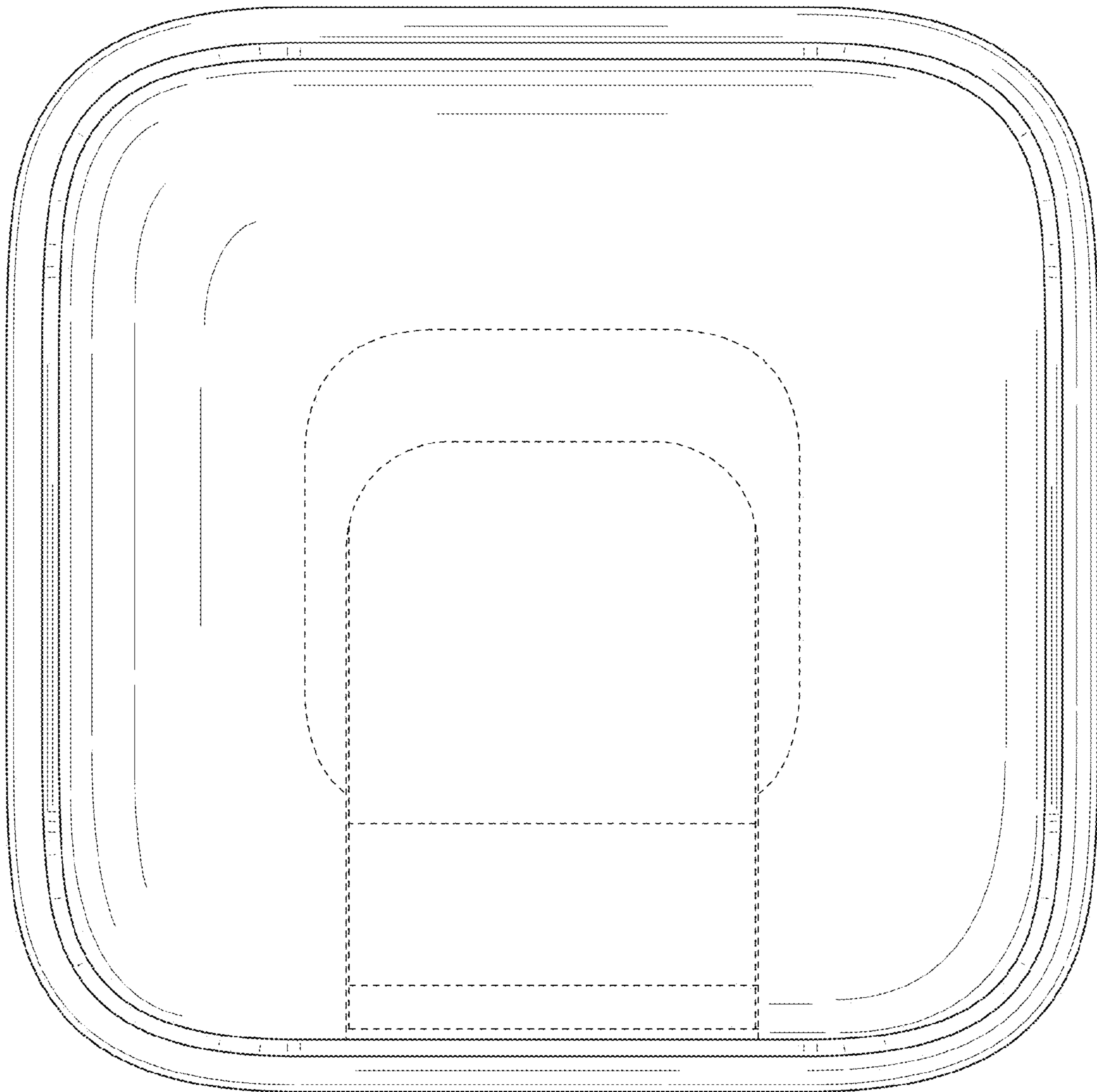


FIG. 3

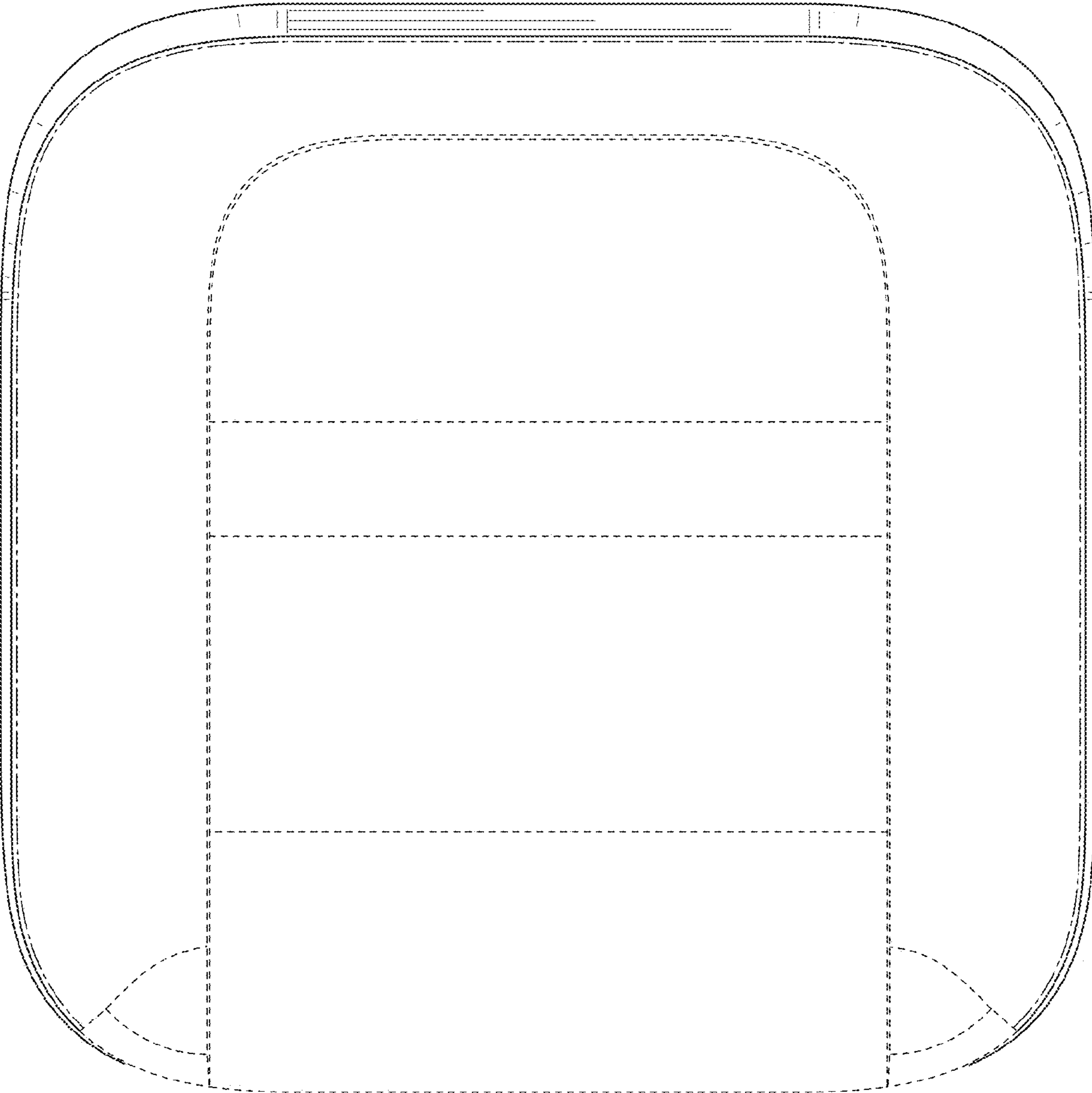


FIG. 4

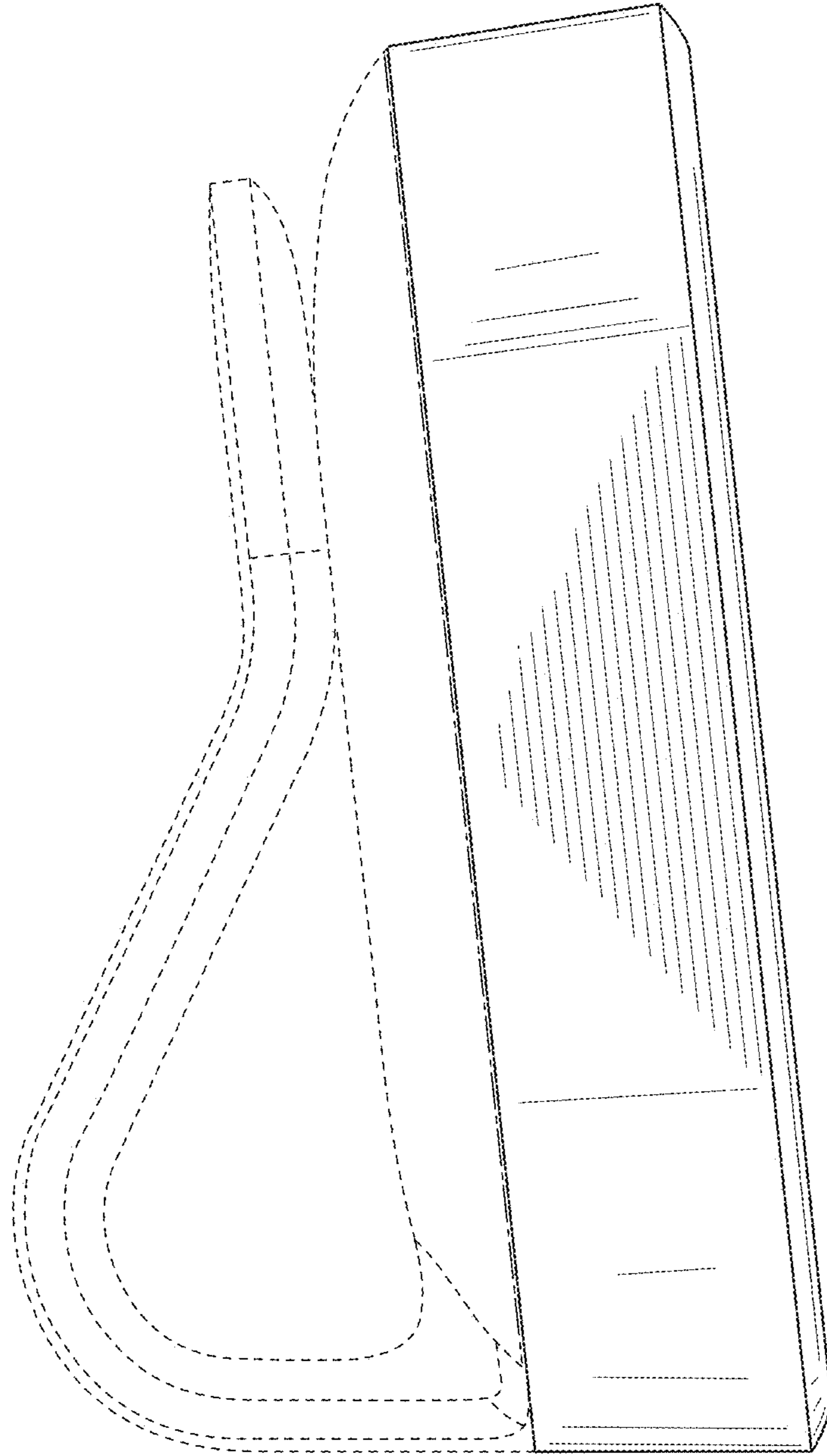


FIG. 5

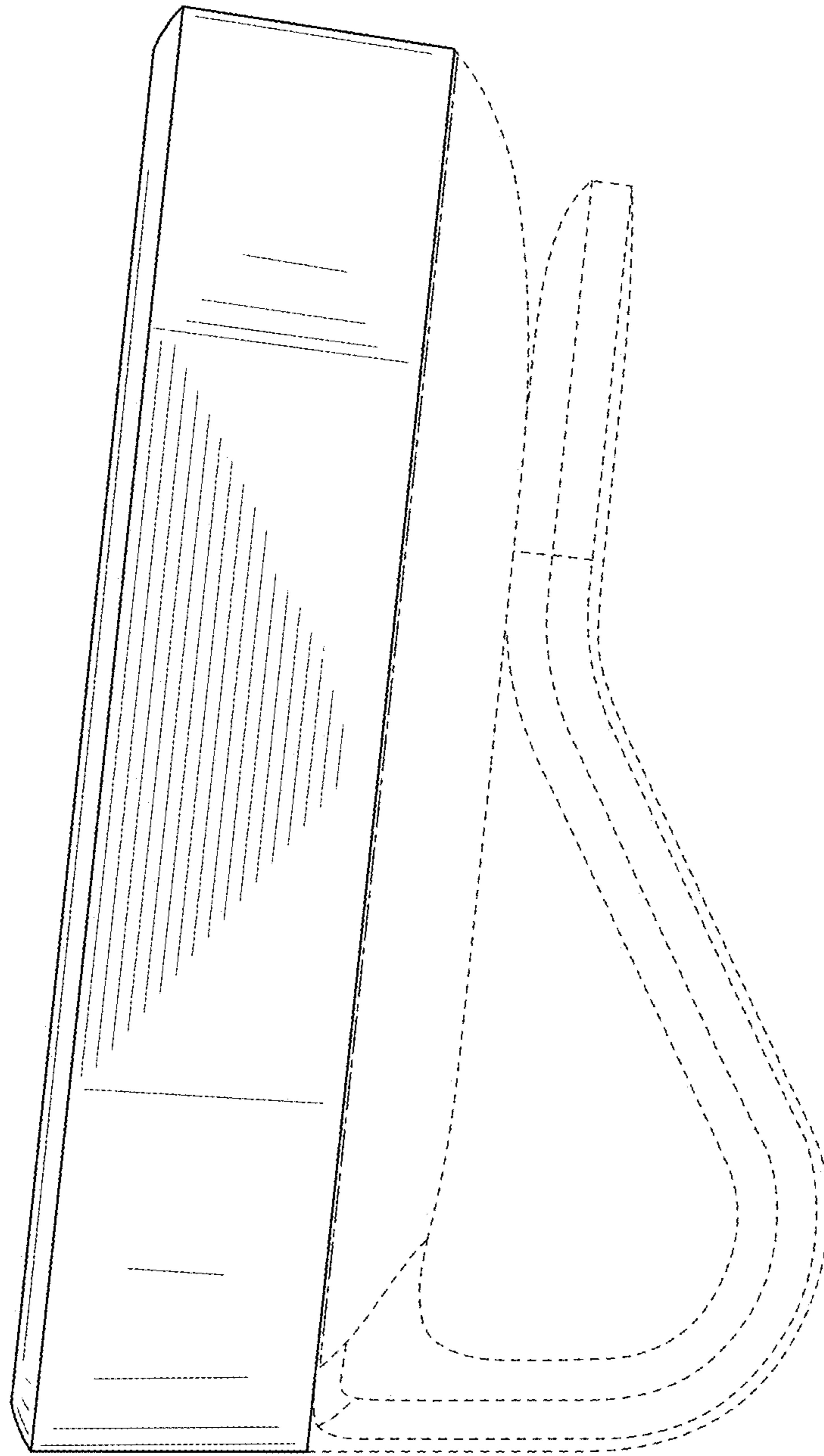


FIG. 6



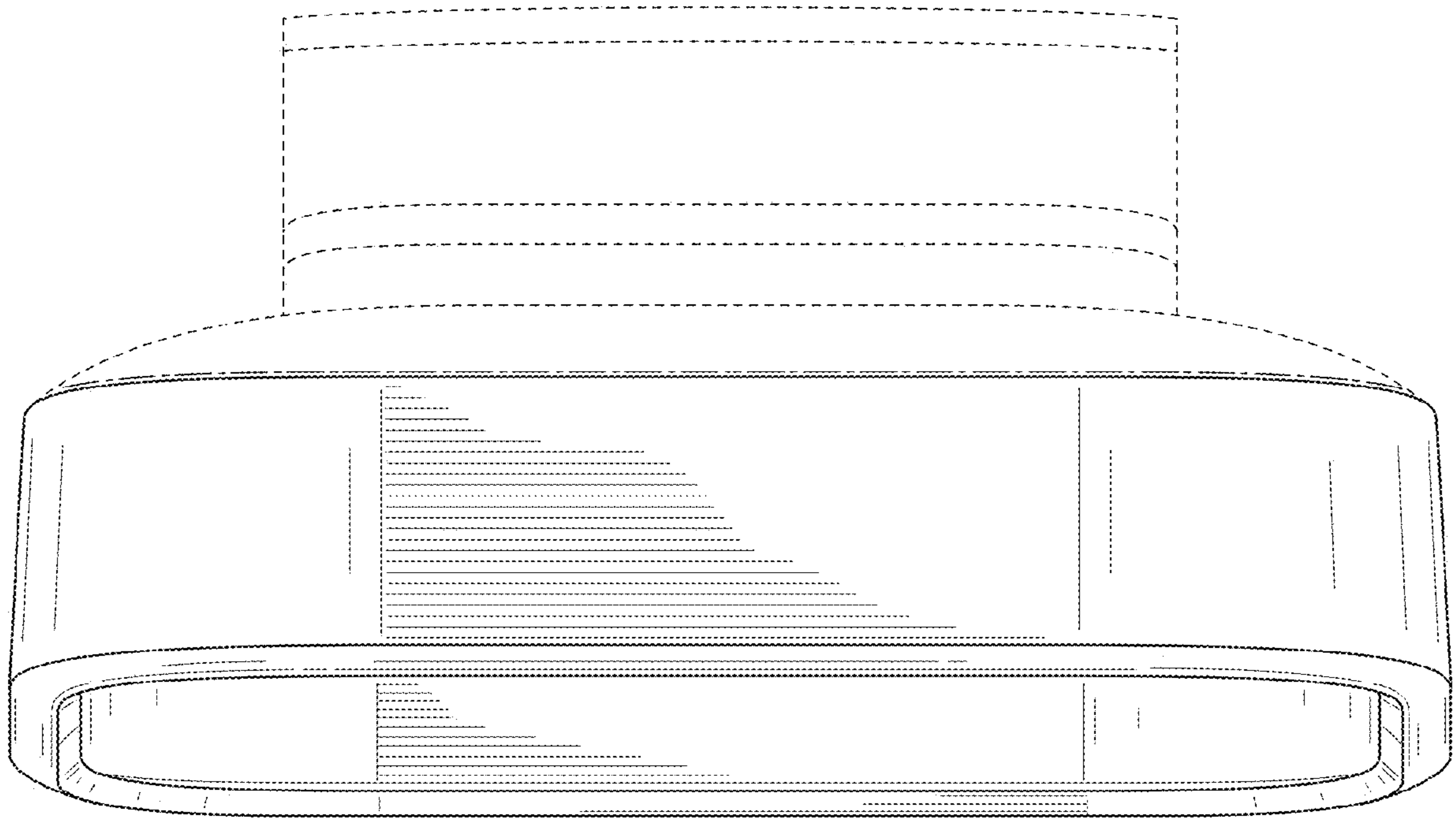


FIG. 7

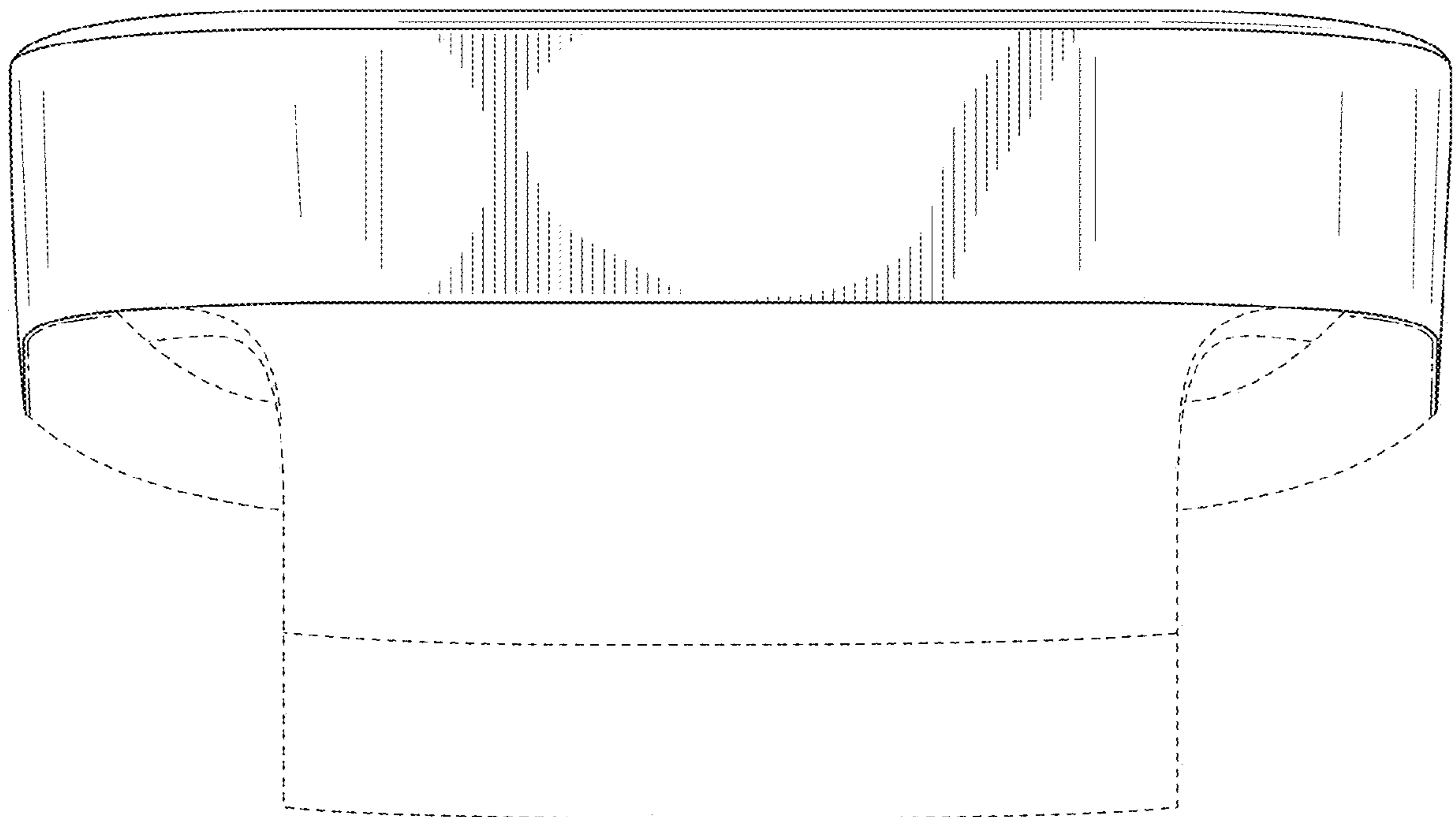


FIG. 8