



US00D884059S

(12) **United States Design Patent** (10) **Patent No.:** **US D884,059 S**
Tanaka et al. (45) **Date of Patent:** **** May 12, 2020**

(54) **PROJECTOR**

(71) Applicant: **FUJIFILM Corporation**, Tokyo (JP)

(72) Inventors: **Kunihiko Tanaka**, Saitama (JP); **Koji Yoshida**, Saitama (JP)

(73) Assignee: **FUJIFILM Corporation**, Tokyo (JP)

(**) Term: **15 Years**

(21) Appl. No.: **29/659,343**

(22) Filed: **Aug. 8, 2018**

(30) **Foreign Application Priority Data**

Feb. 9, 2018 (JP) 2018-002724

(51) **LOC (12) Cl.** **16-02**

(52) **U.S. Cl.**
USPC **D16/235**

(58) **Field of Classification Search**
USPC D16/221, 225, 229-231, 234-235, 208,
D16/219, 200, 201-203, 134, 136-137;
(Continued)

(56) **References Cited**

U.S. PATENT DOCUMENTS

3,702,929 A * 11/1972 Burch G03B 21/00
353/122
3,907,402 A * 9/1975 Friesem F21K 2/00
353/122

(Continued)

Primary Examiner — Wan Laymon

(74) *Attorney, Agent, or Firm* — Birch, Stewart, Kolasch & Birch, LLP

(57) **CLAIM**

The ornamental design for a projector, as shown and described.

DESCRIPTION

FIG. 1 is a left perspective view of a projector showing our new design;

FIG. 2 is a front view thereof;
FIG. 3 is a rear view thereof;
FIG. 4 is a top plan view thereof;
FIG. 5 is a bottom plan view thereof;
FIG. 6 is a right side view thereof;
FIG. 7 is a left side view thereof;
FIG. 8 is a left perspective view of a projector illustrating the situation that a lens barrier cylinder rises, showing our new design;
FIG. 9 is a front view thereof;
FIG. 10 is a left side view thereof;
FIG. 11 is a left perspective view of a projector illustrating the situation that a cover is moved backward, showing our new design;
FIG. 12 is a front view thereof;
FIG. 13 is a rear view thereof;
FIG. 14 is a top plan view thereof;
FIG. 15 is a bottom plan view thereof;
FIG. 16 is a right side view thereof;
FIG. 17 is a left side view thereof;
FIG. 18 is a left perspective view of a projector illustrating the situation that a handle is drawn upward, showing our new design;
FIG. 19 is a front view thereof;
FIG. 20 is a rear view thereof;
FIG. 21 is a top plan view thereof;
FIG. 22 is a bottom plan view thereof;
FIG. 23 is a right side view thereof;
FIG. 24 is a left side view thereof;
FIG. 25 is a left perspective view of a projector illustrating the situation that the lens is directed to first direction, showing our new design;
FIG. 26 is a front view thereof;
FIG. 27 is a rear view thereof;
FIG. 28 is a top plan view thereof;
FIG. 29 is a bottom plan view thereof;
FIG. 30 is a right side view thereof;
FIG. 31 is a left side view thereof;
FIG. 32 is a left perspective view of a projector illustrating the situation that the lens is directed to second direction, showing our new design;

(Continued)

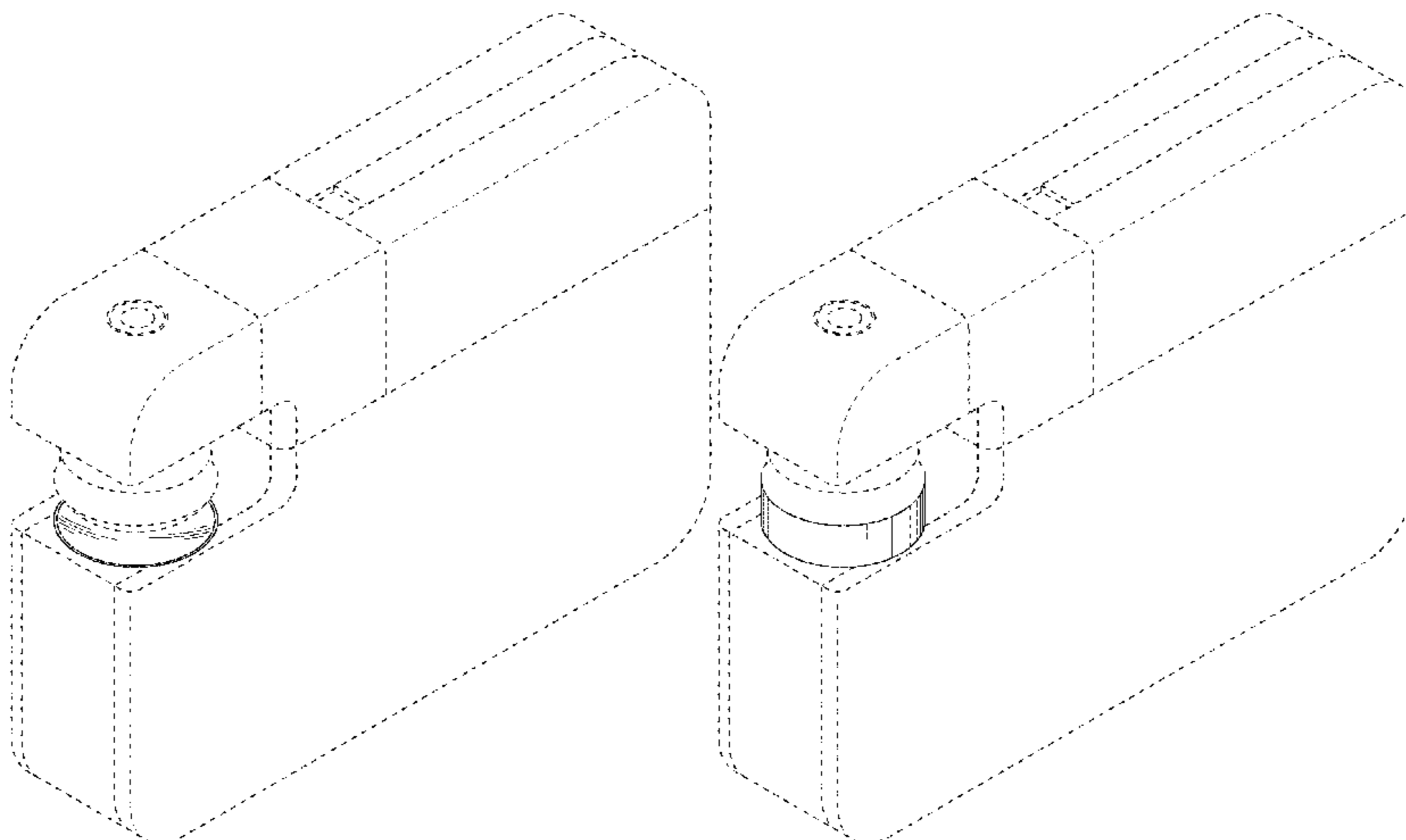


FIG. 33 is a left perspective view of a projector illustrating the situation that the lens is directed to third direction, showing our new design;
 FIG. 34 is a left perspective view of a projector illustrating the situation that the lens is directed to fourth direction, showing our new design;
 FIG. 35 is a left perspective view of a projector illustrating the situation that the lens is directed to fifth direction, showing our new design;
 FIG. 36 is a left perspective view of a projector illustrating the situation that the lens is directed to sixth direction, showing our new design;
 FIG. 37 is a left perspective view of a projector illustrating the situation that the lens is directed to seventh direction, showing our new design;
 FIG. 38 is a left perspective view of a projector illustrating the situation that the lens is directed to eighth direction, showing our new design;
 FIG. 39 is a left perspective view of a projector illustrating the situation that the lens is directed to ninth direction, showing our new design;
 FIG. 40 is a left perspective view of a projector illustrating the situation that the lens is directed to tenth direction, showing our new design; and,
 FIG. 41 is a left perspective view of a projector illustrating the situation that the lens is directed to eleventh direction, showing our new design.

The broken lines depict portions of the projector in which the design is embodied that form no part of the claimed design.

1 Claim, 37 Drawing Sheets

(58) **Field of Classification Search**

USPC D21/514; 353/101, 115, 119, 122;
 348/373, 375
 CPC G03B 21/00; G03B 21/001; G03B 21/003;
 G03B 21/12; G03B 21/14; G03B 21/142;
 G03B 21/145; G03B 21/54; G03B 17/56
 See application file for complete search history.

(56) **References Cited**

U.S. PATENT DOCUMENTS

4,521,091	A *	6/1985	Theslof, Jr.	G03B 21/54 353/122
5,214,457	A *	5/1993	Takanashi	G03B 21/132 353/122
D364,416	S *	11/1995	Saeki	D16/221
D420,033	S *	2/2000	Takano	D16/225
D420,691	S *	2/2000	Adachi	D16/221
D421,037	S *	2/2000	Kawamoto	D16/225

* cited by examiner

FIG. 1

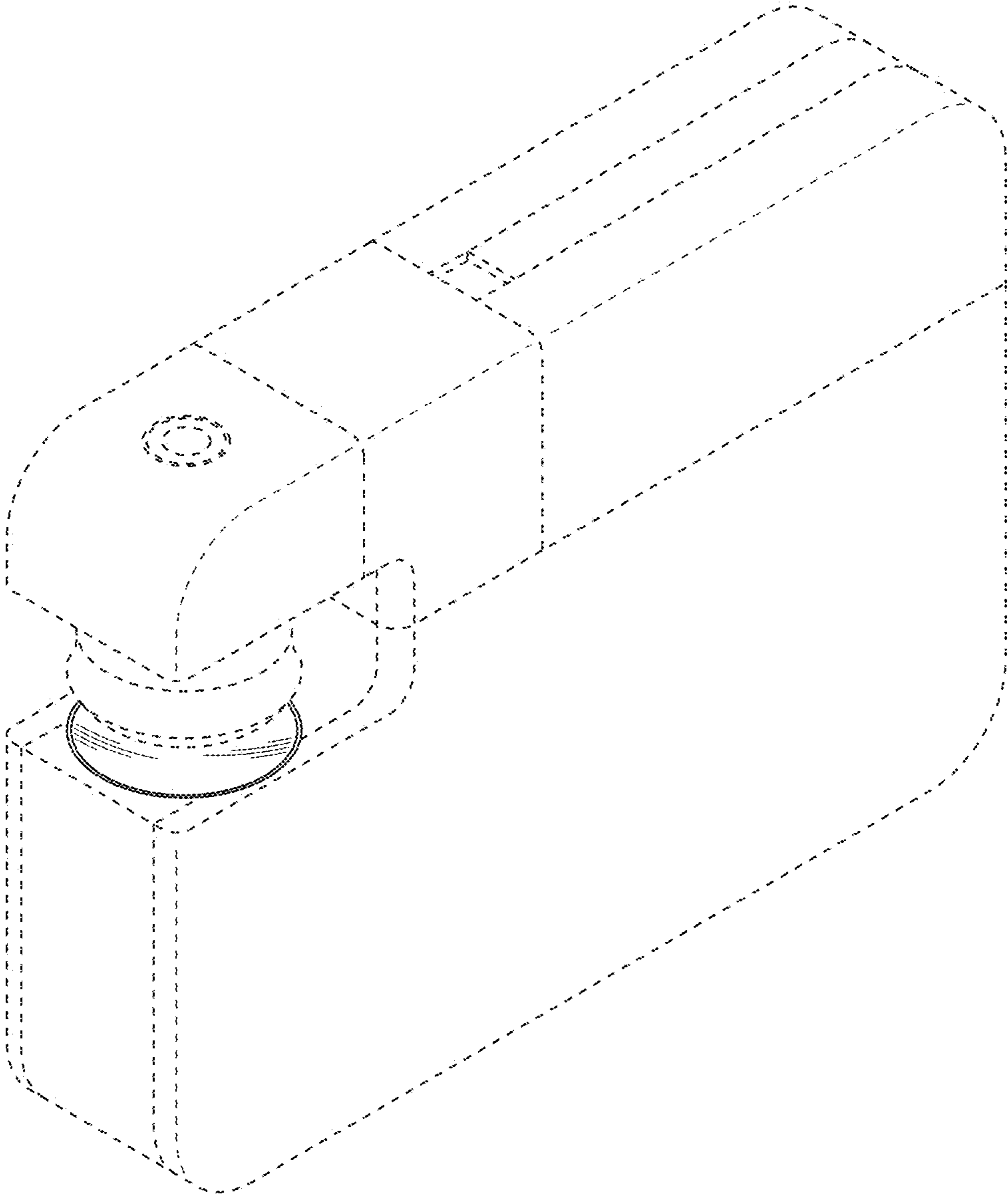


FIG. 2

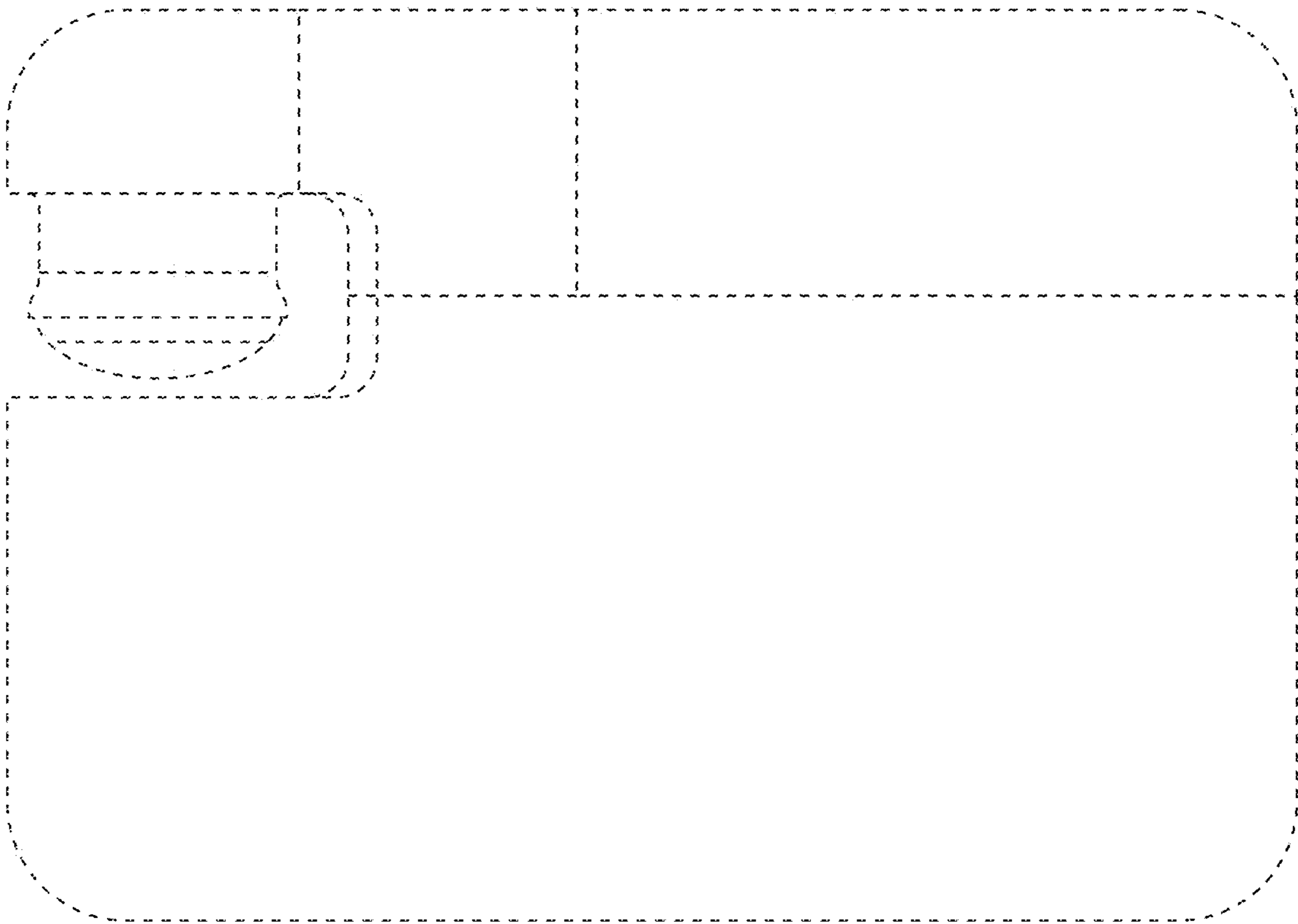


FIG. 3

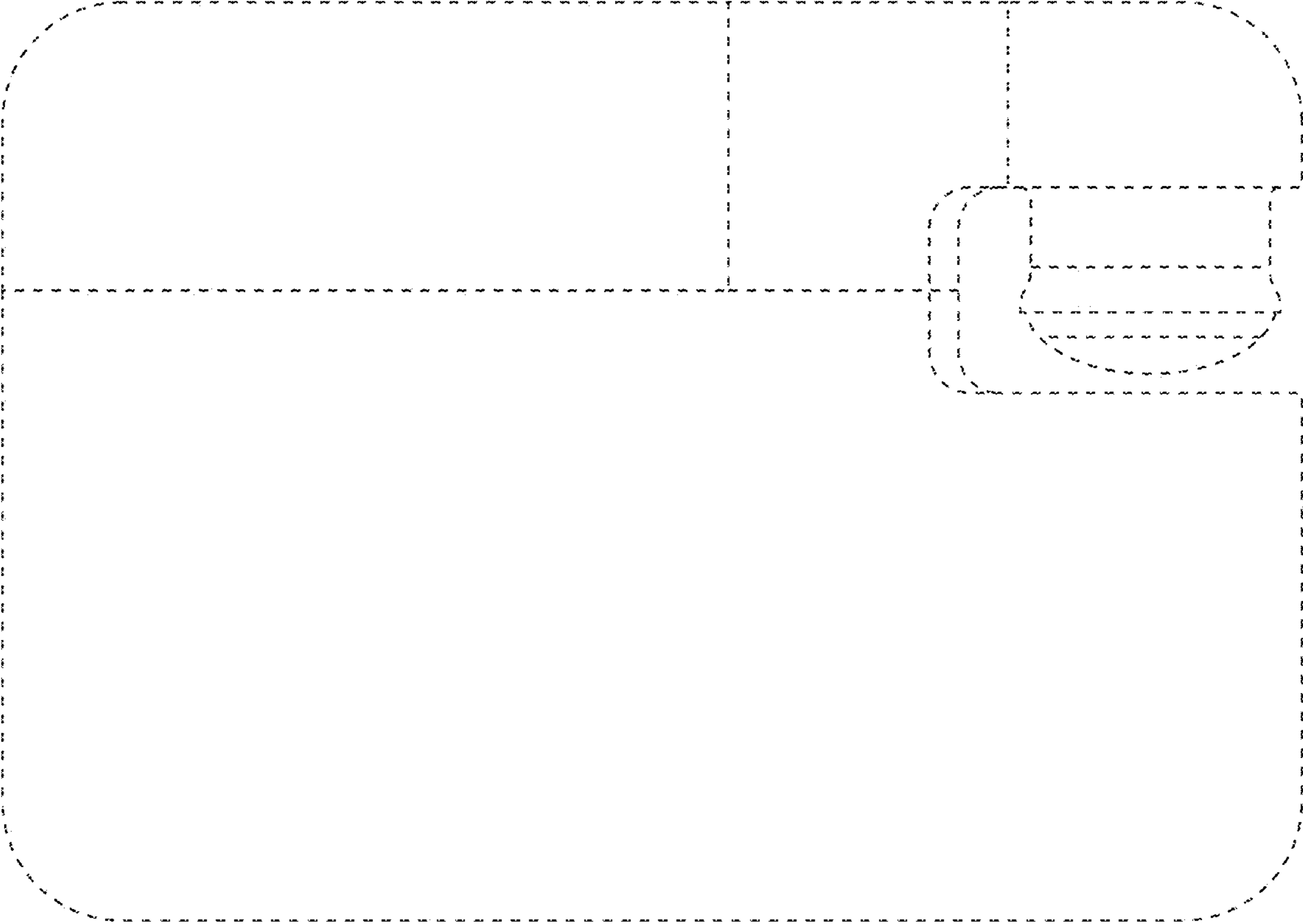


FIG. 4

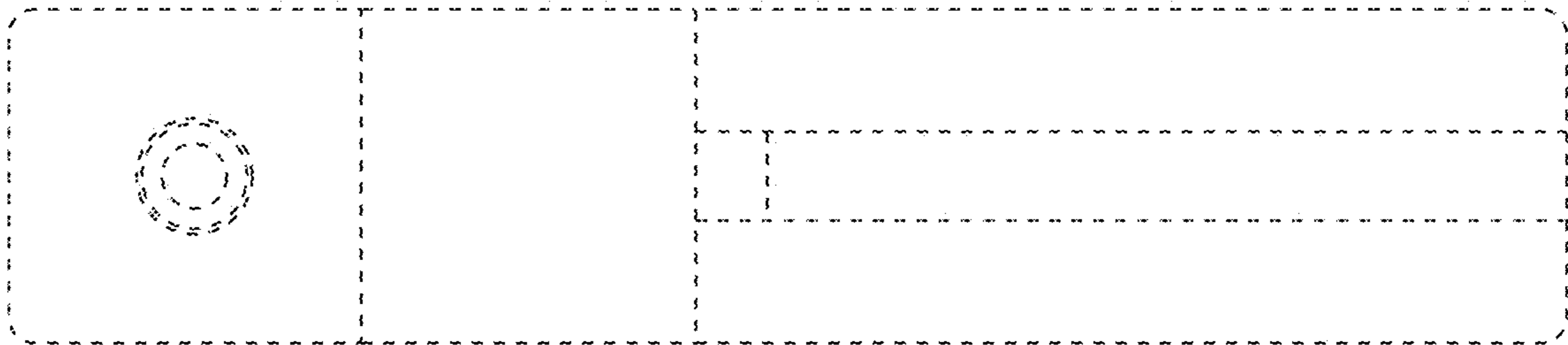


FIG. 5

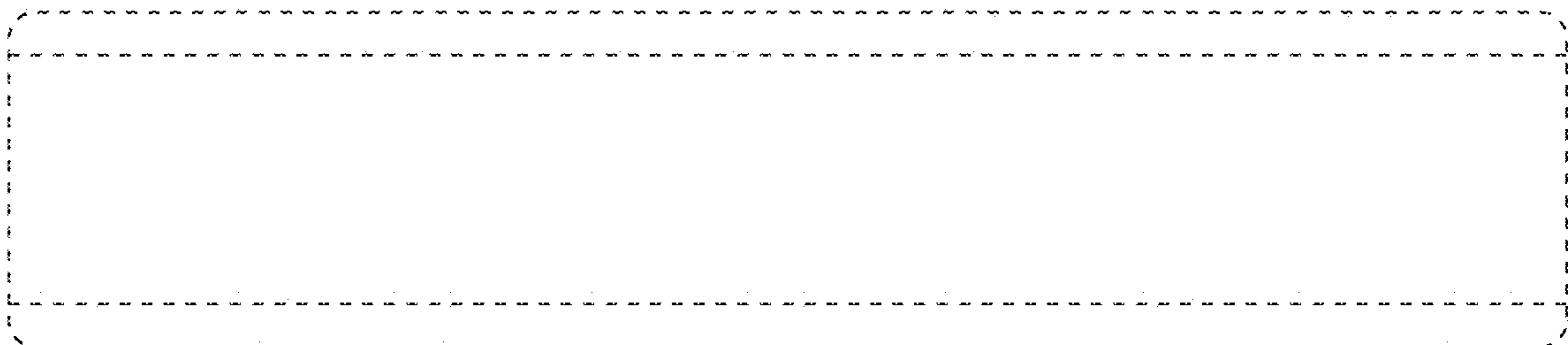


FIG. 6

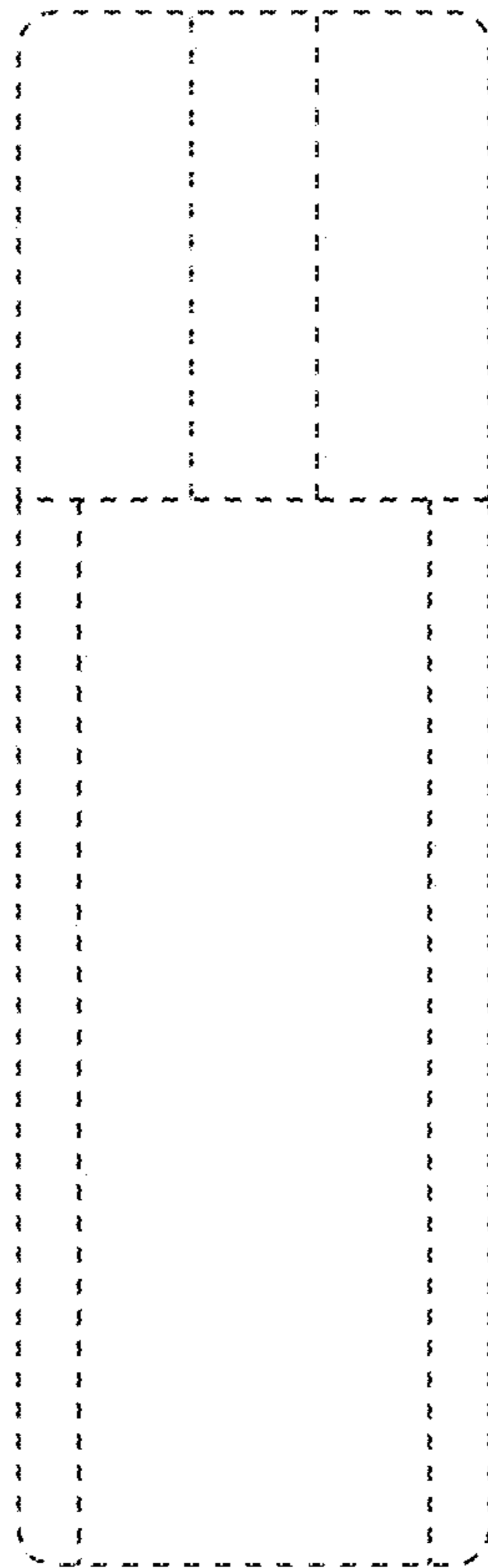


FIG. 7

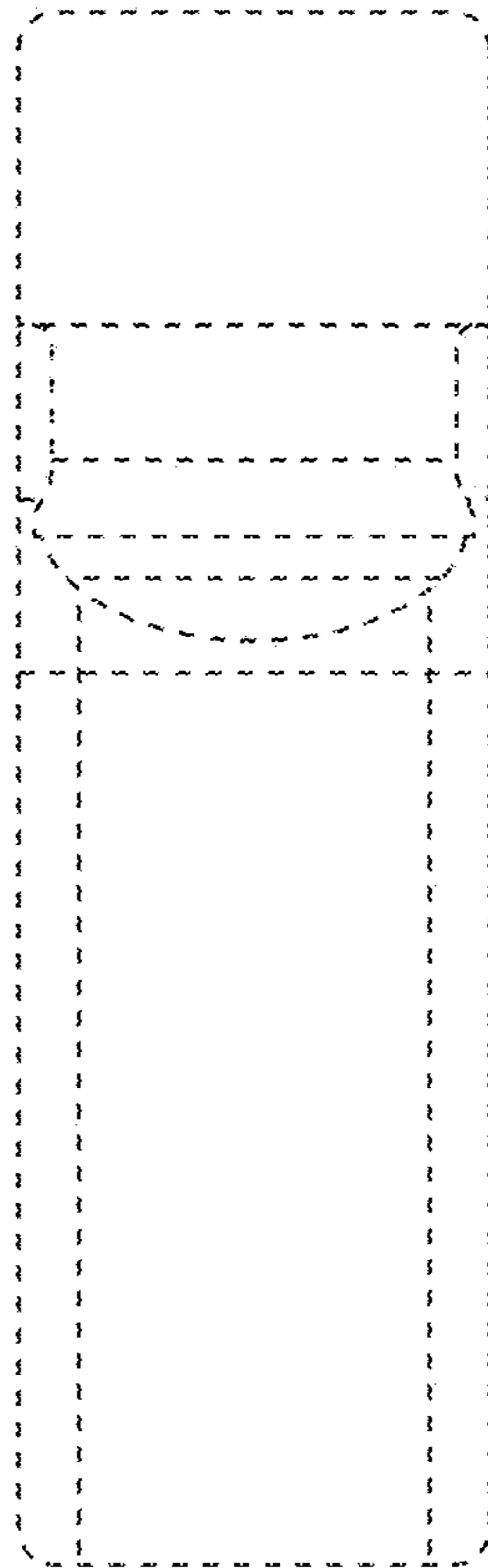


FIG. 8

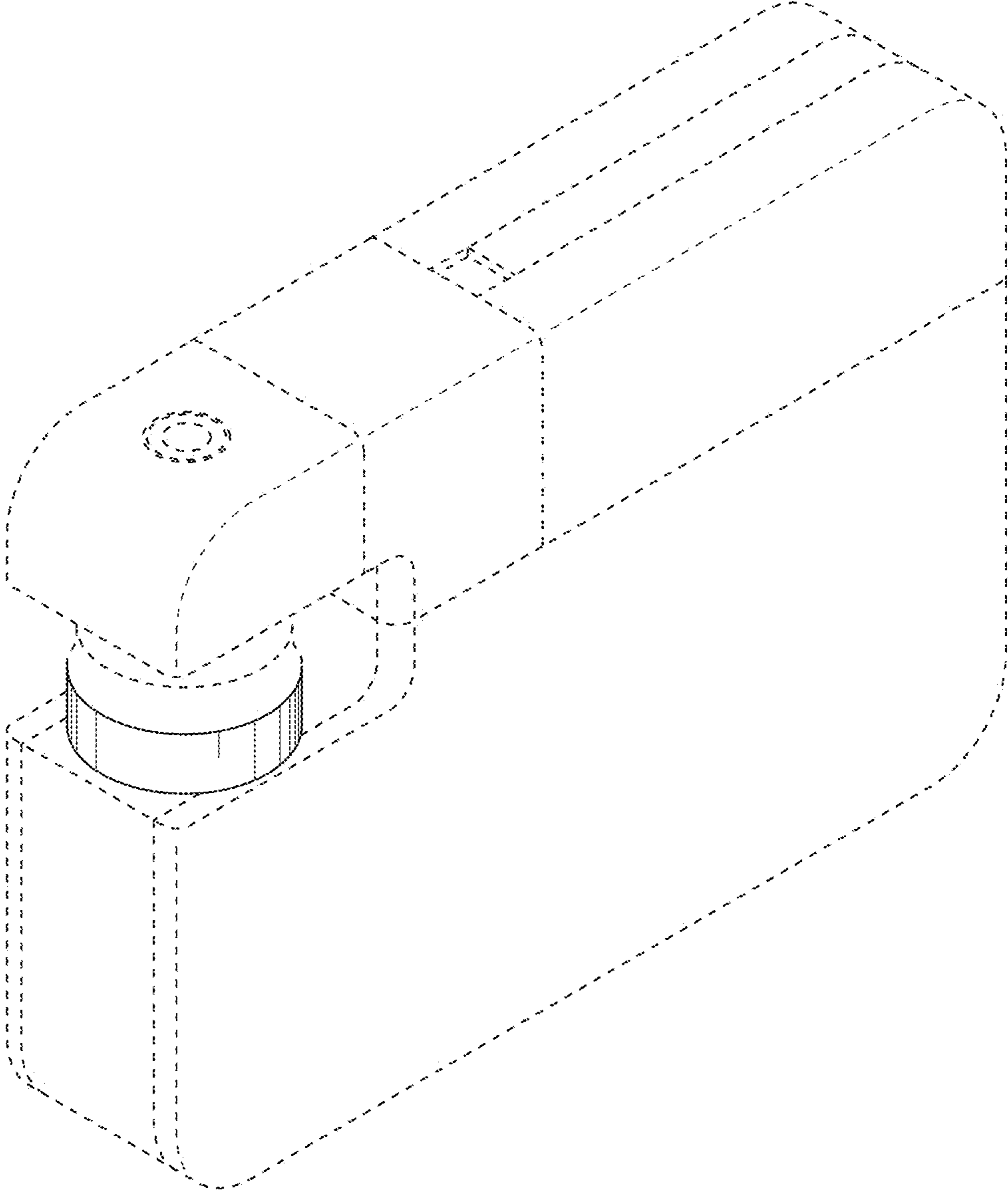


FIG. 9

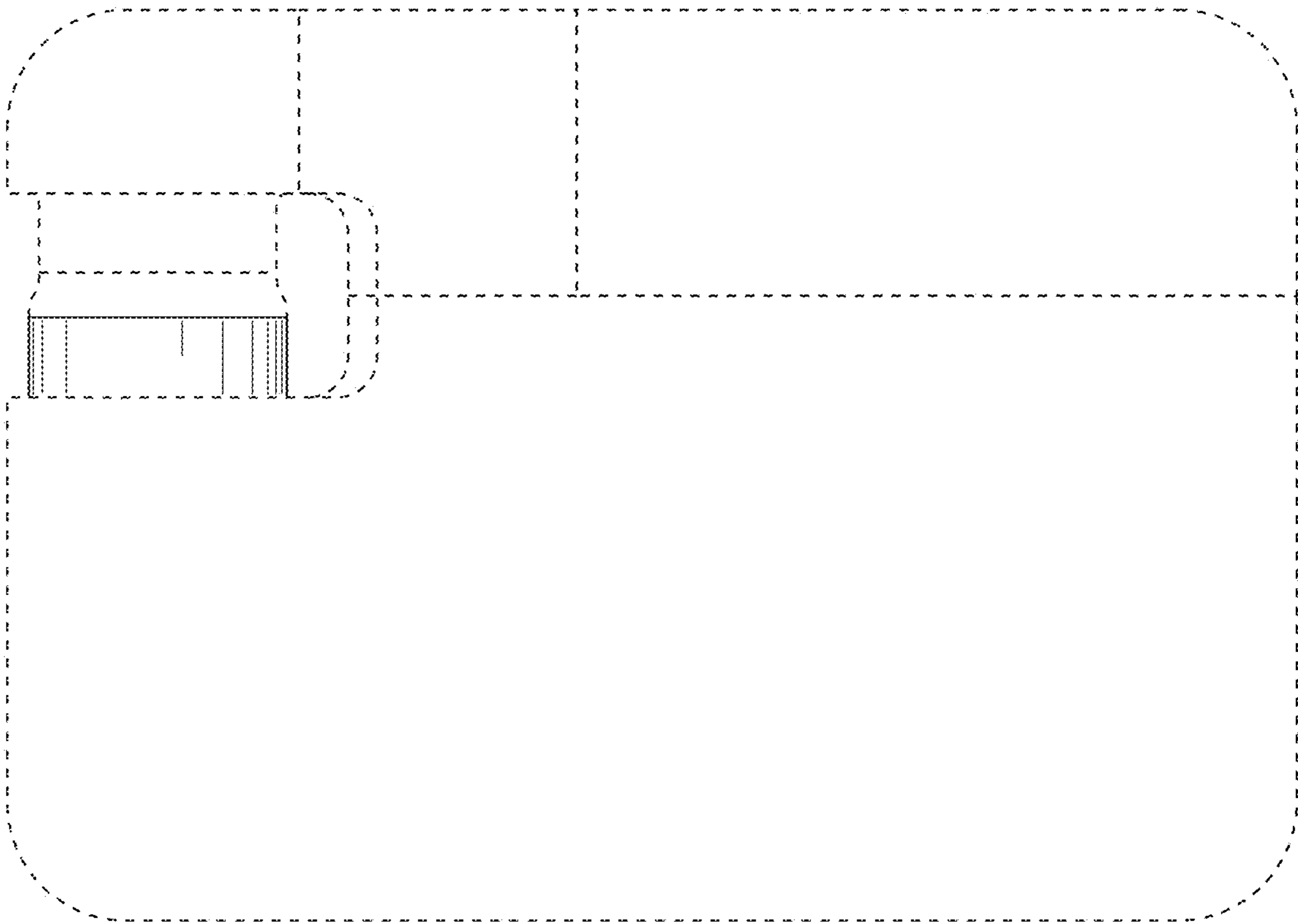


FIG. 10

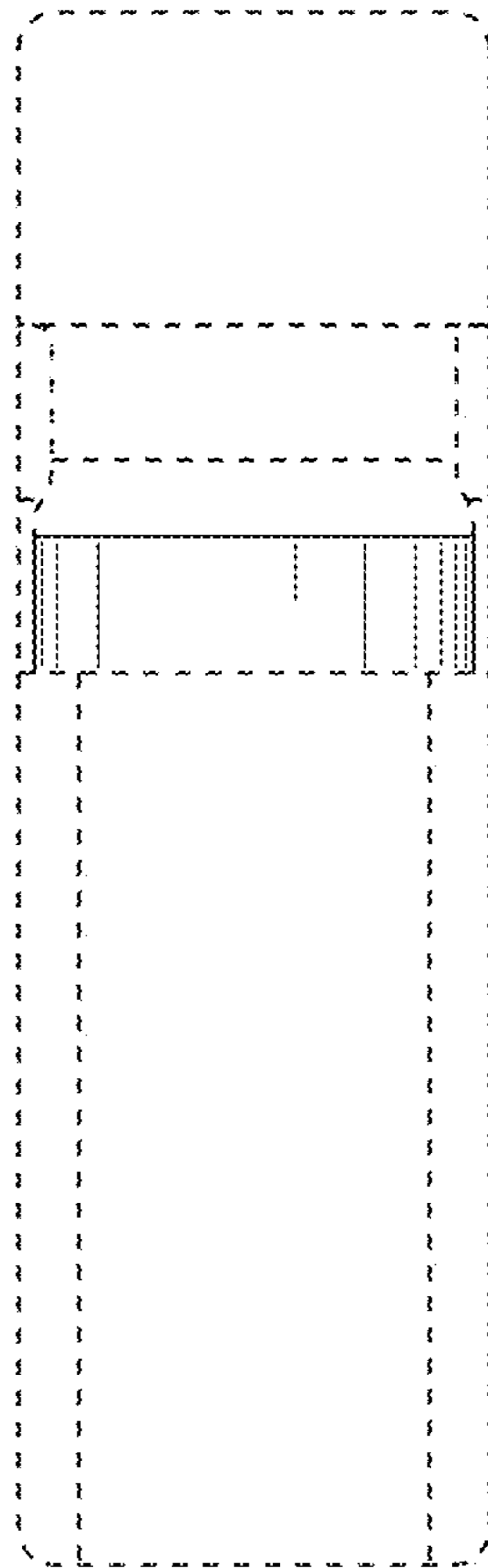


FIG. 11

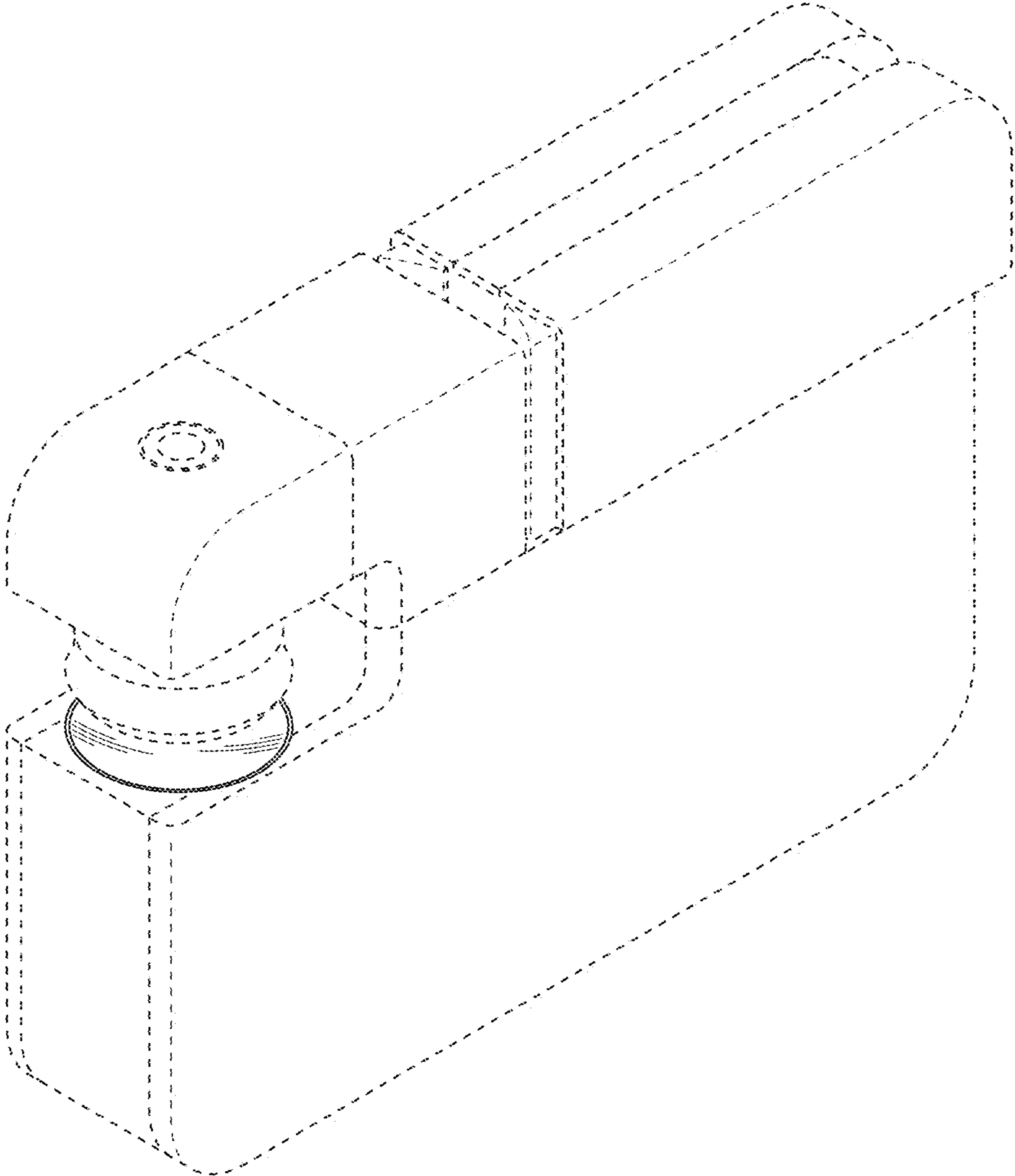


FIG. 12

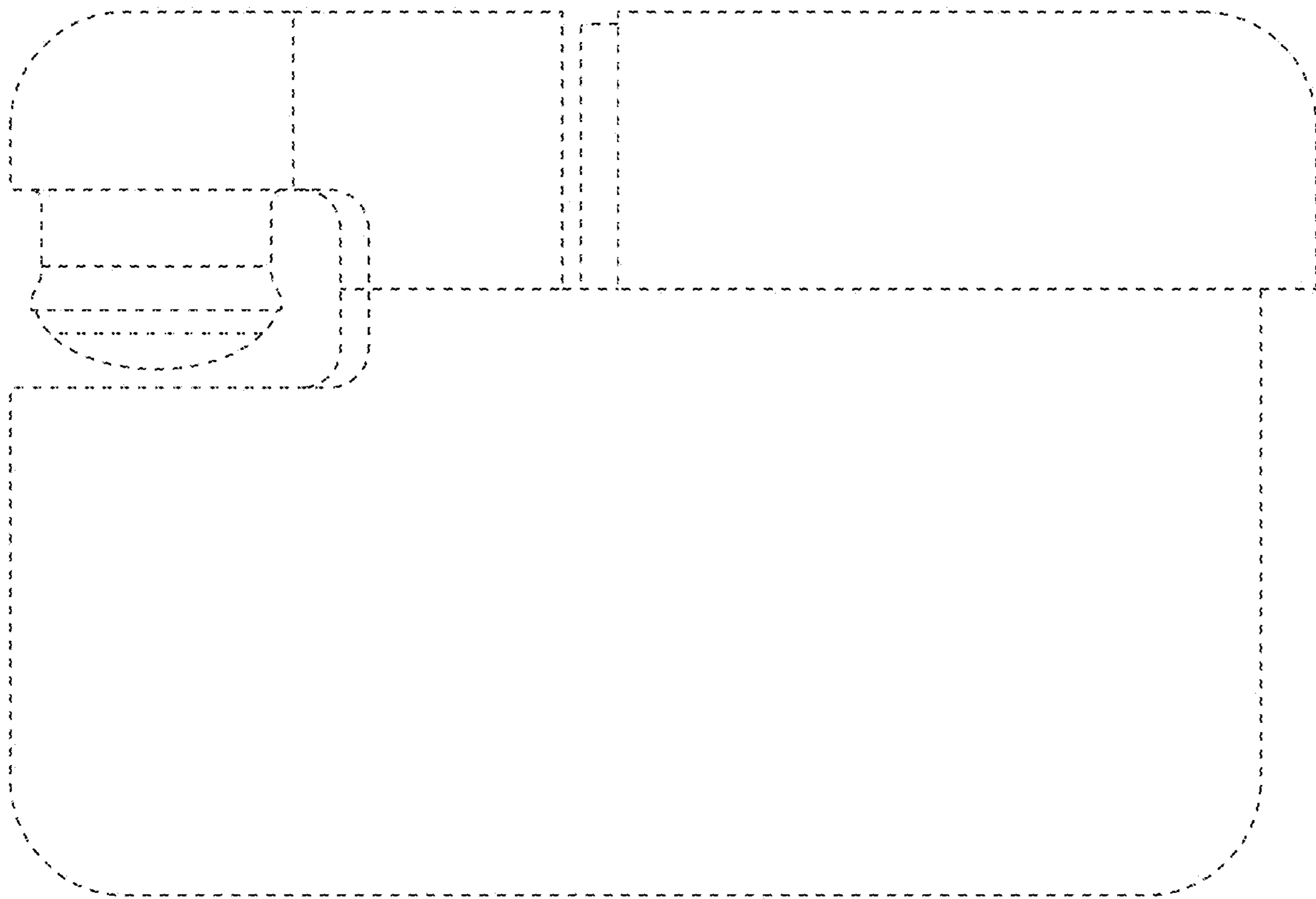


FIG. 13

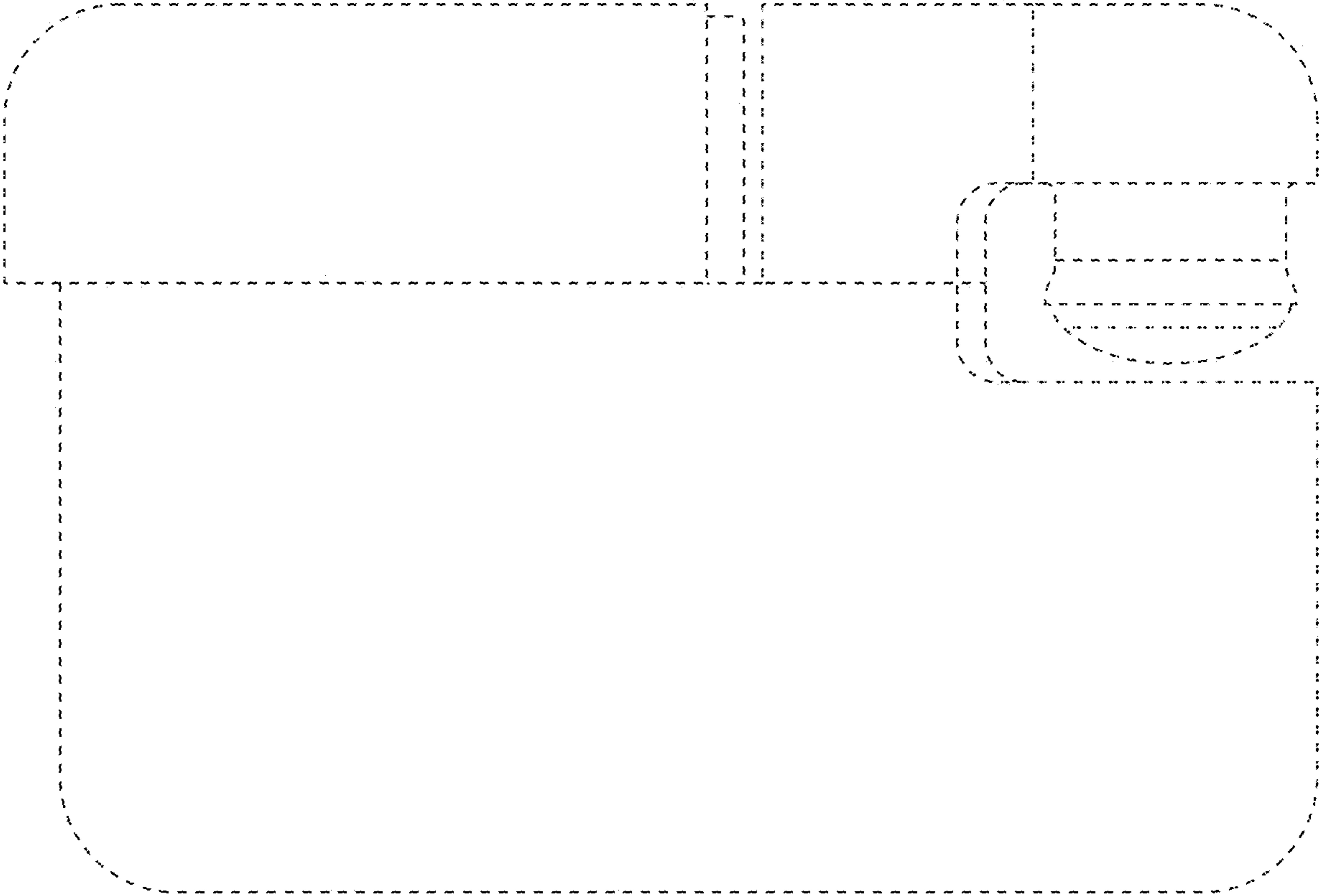


FIG. 14

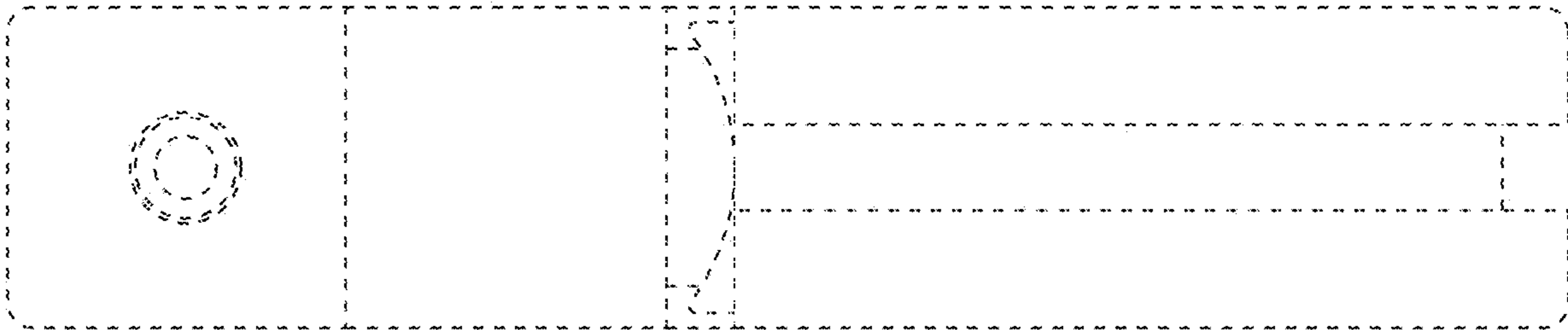


FIG. 15

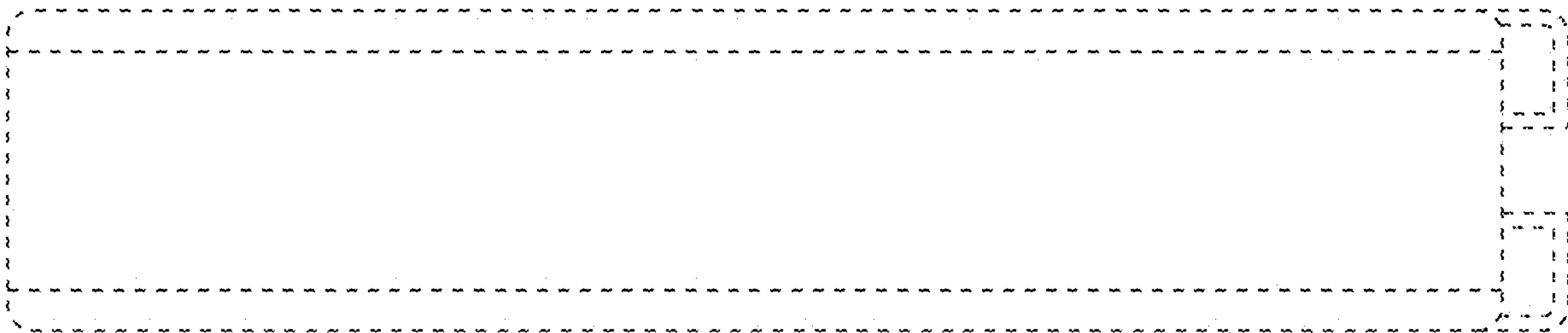


FIG. 16

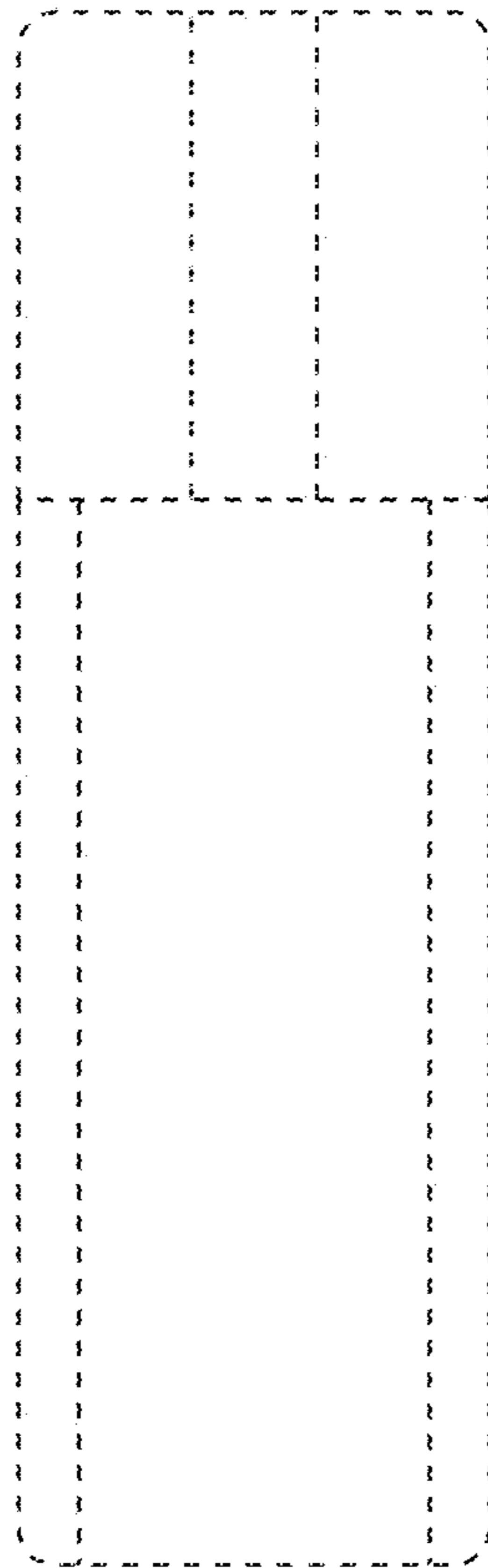


FIG. 17

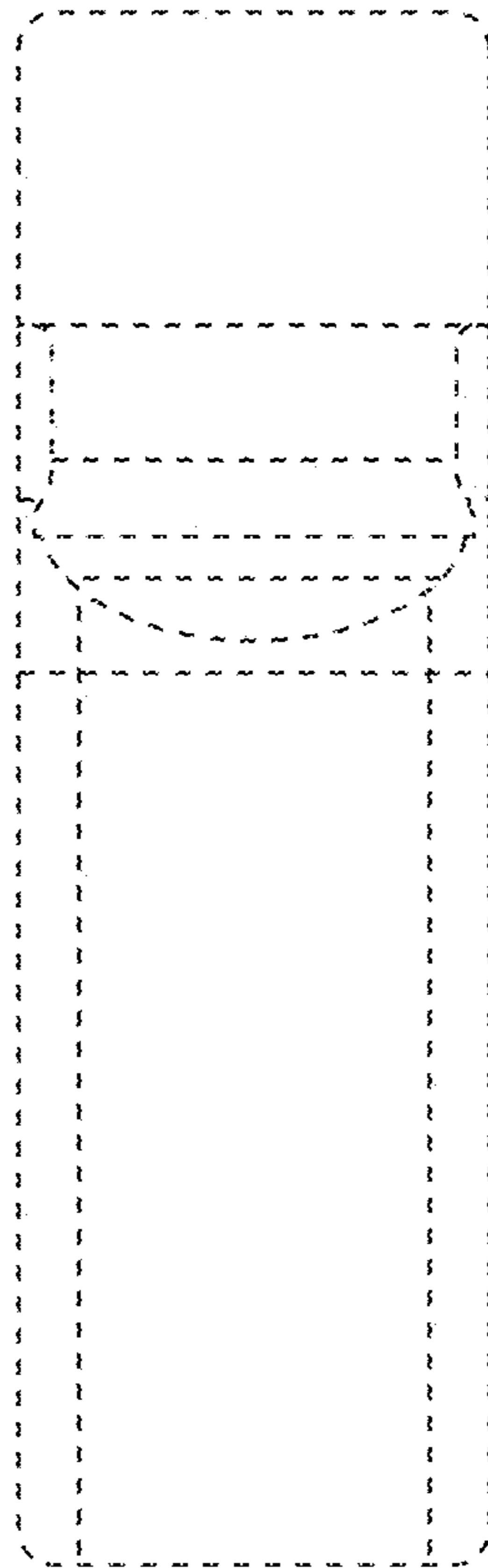


FIG. 18

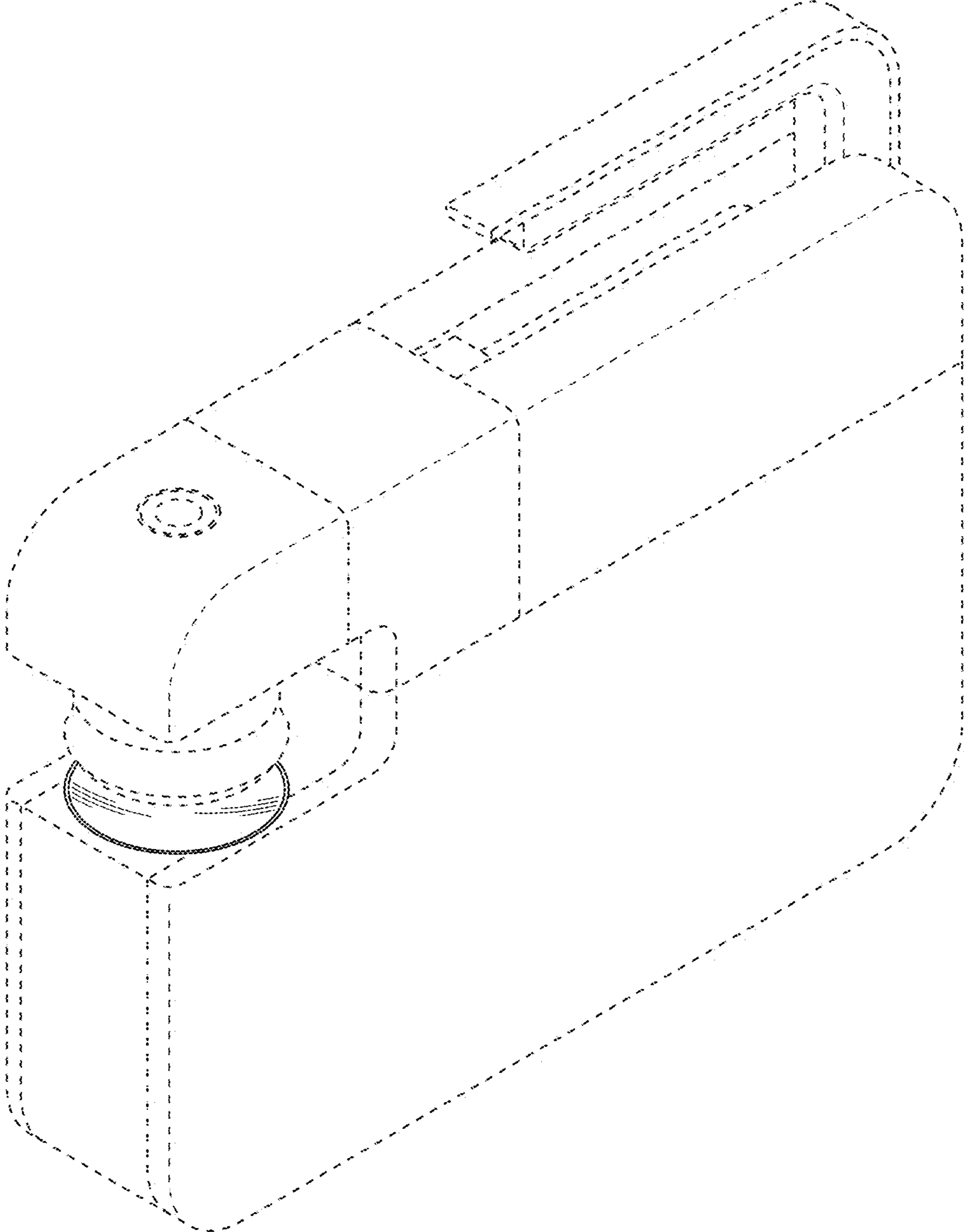


FIG. 19

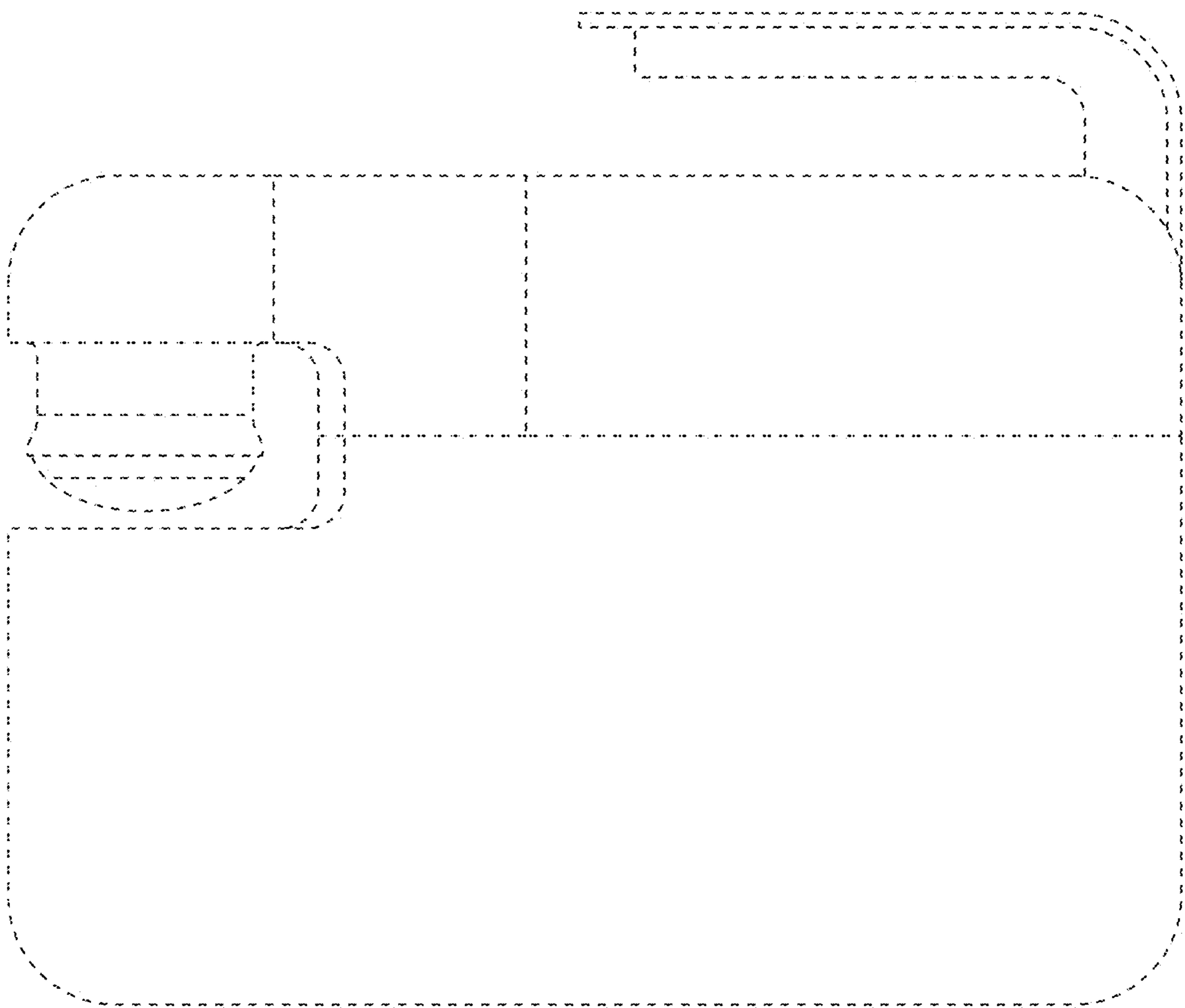


FIG. 20

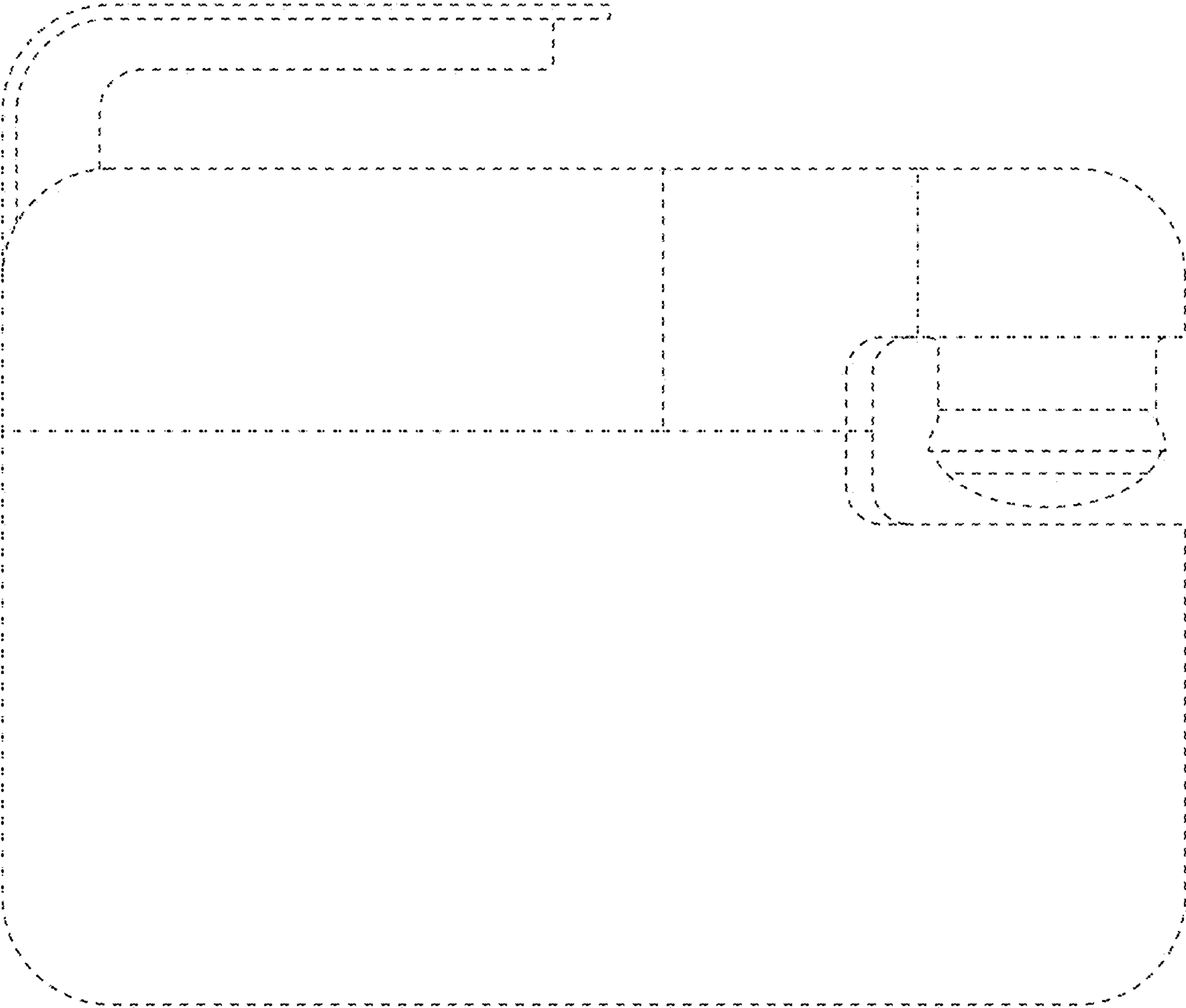


FIG. 21

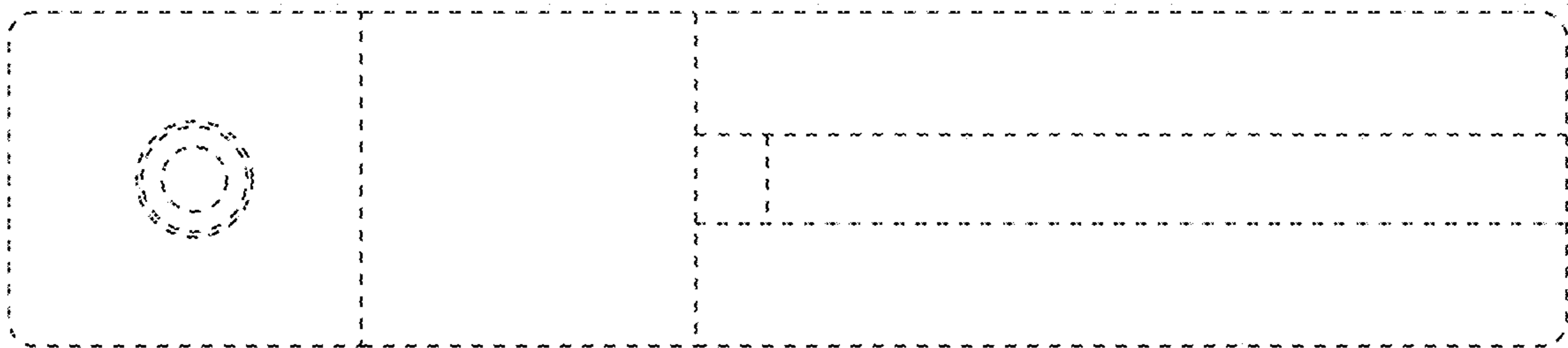


FIG. 22

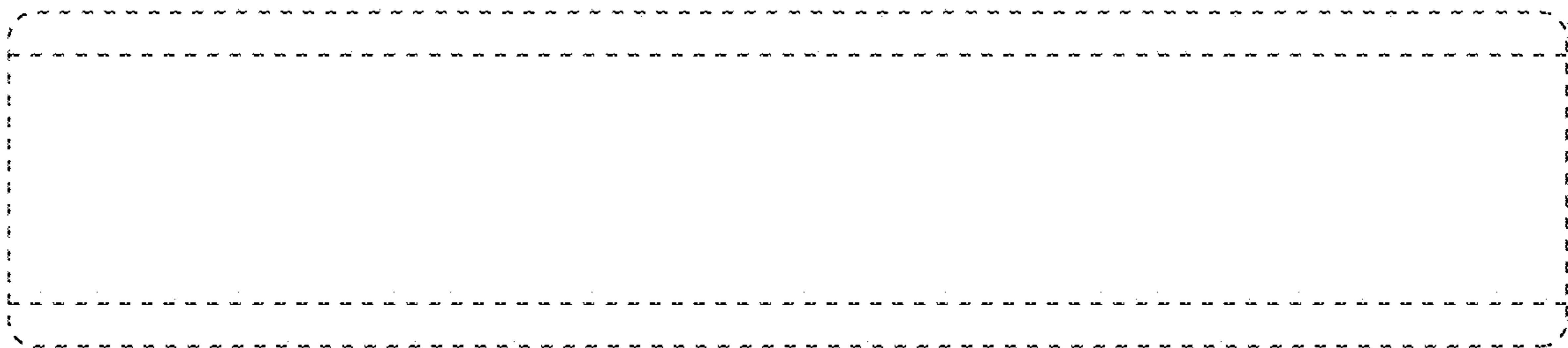


FIG. 23

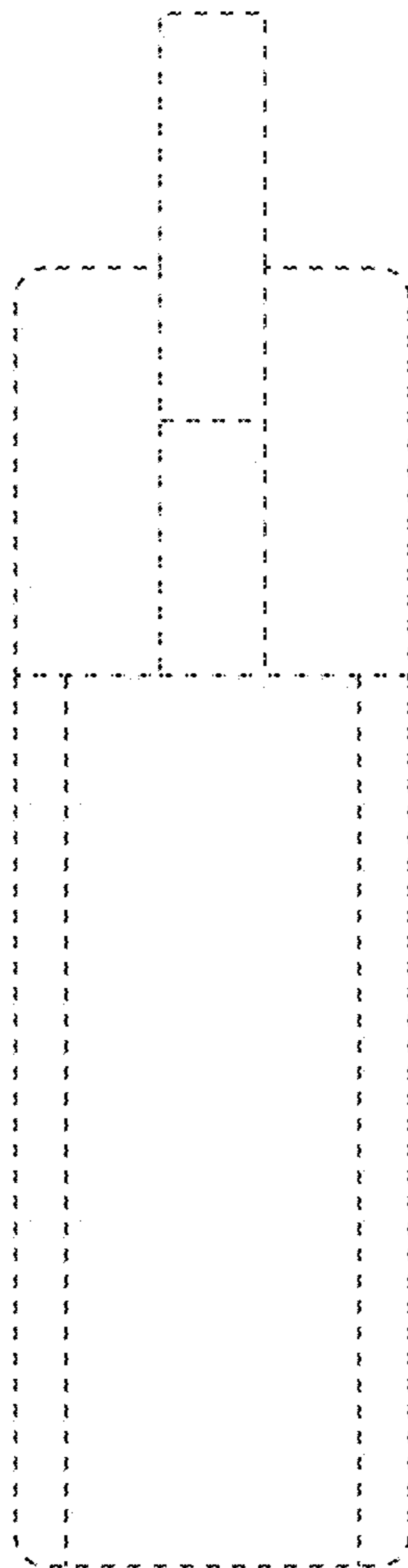


FIG. 24

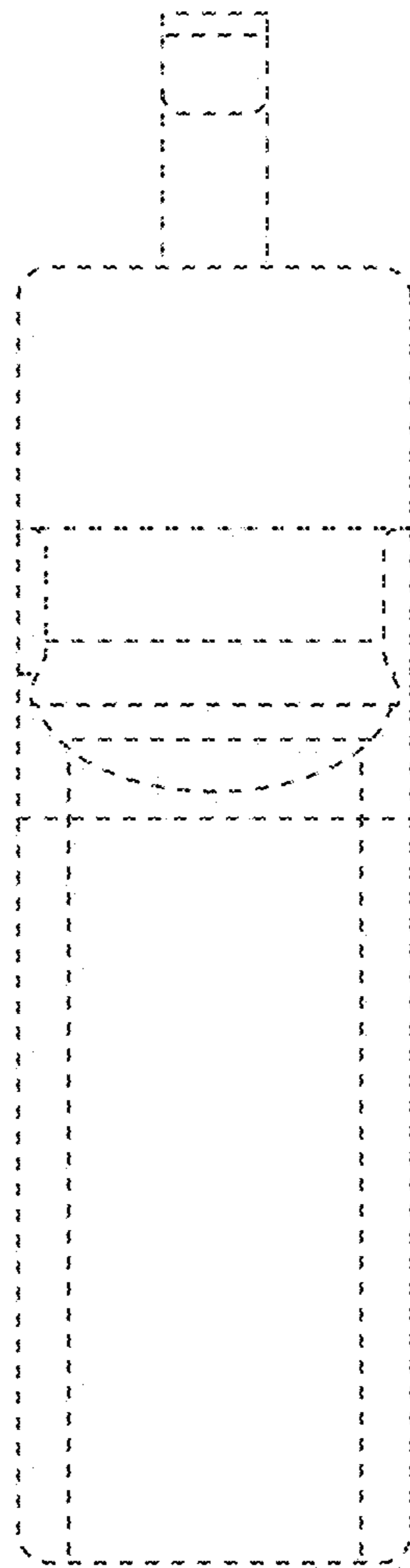


FIG. 25

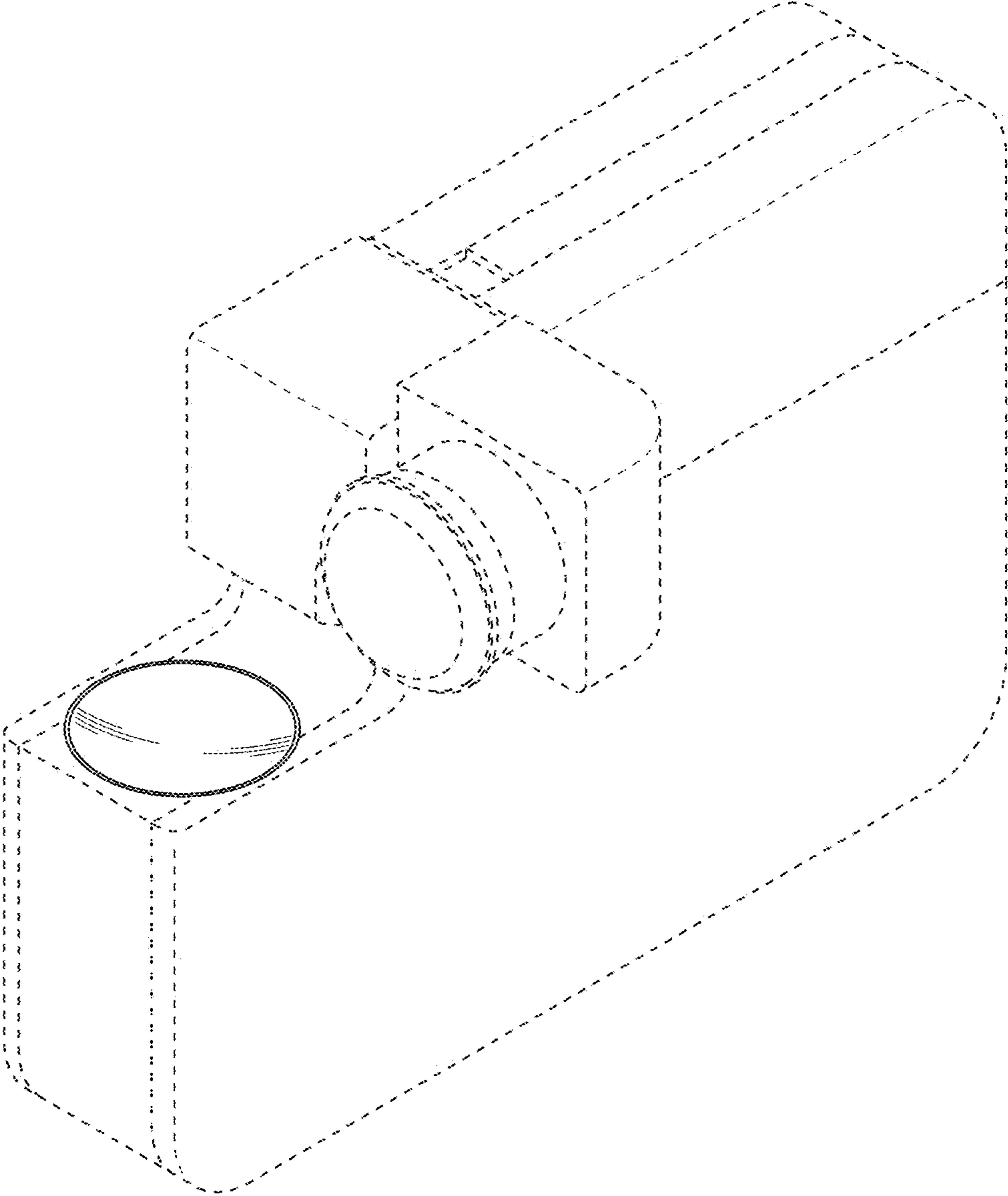


FIG. 26

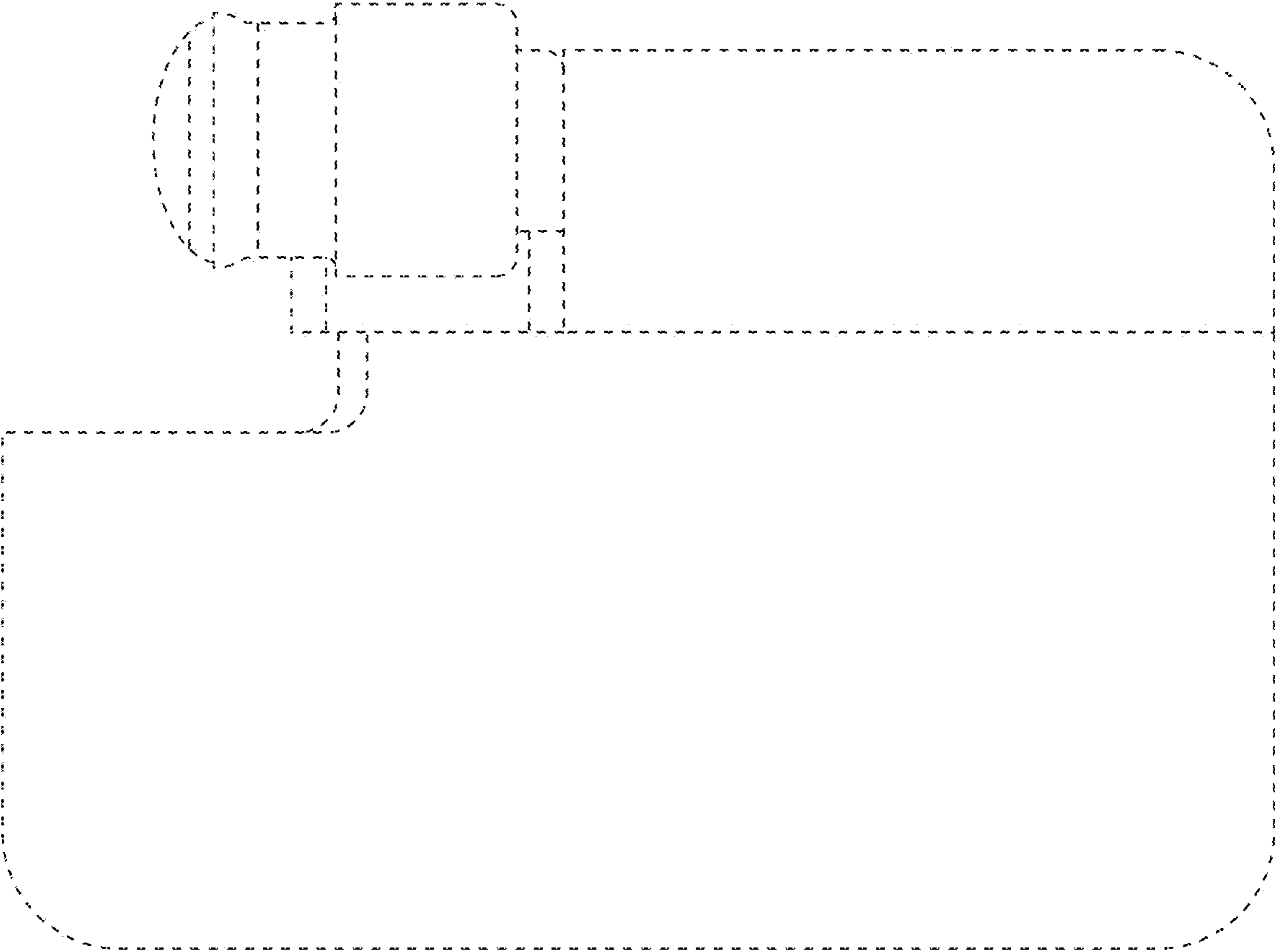


FIG. 27

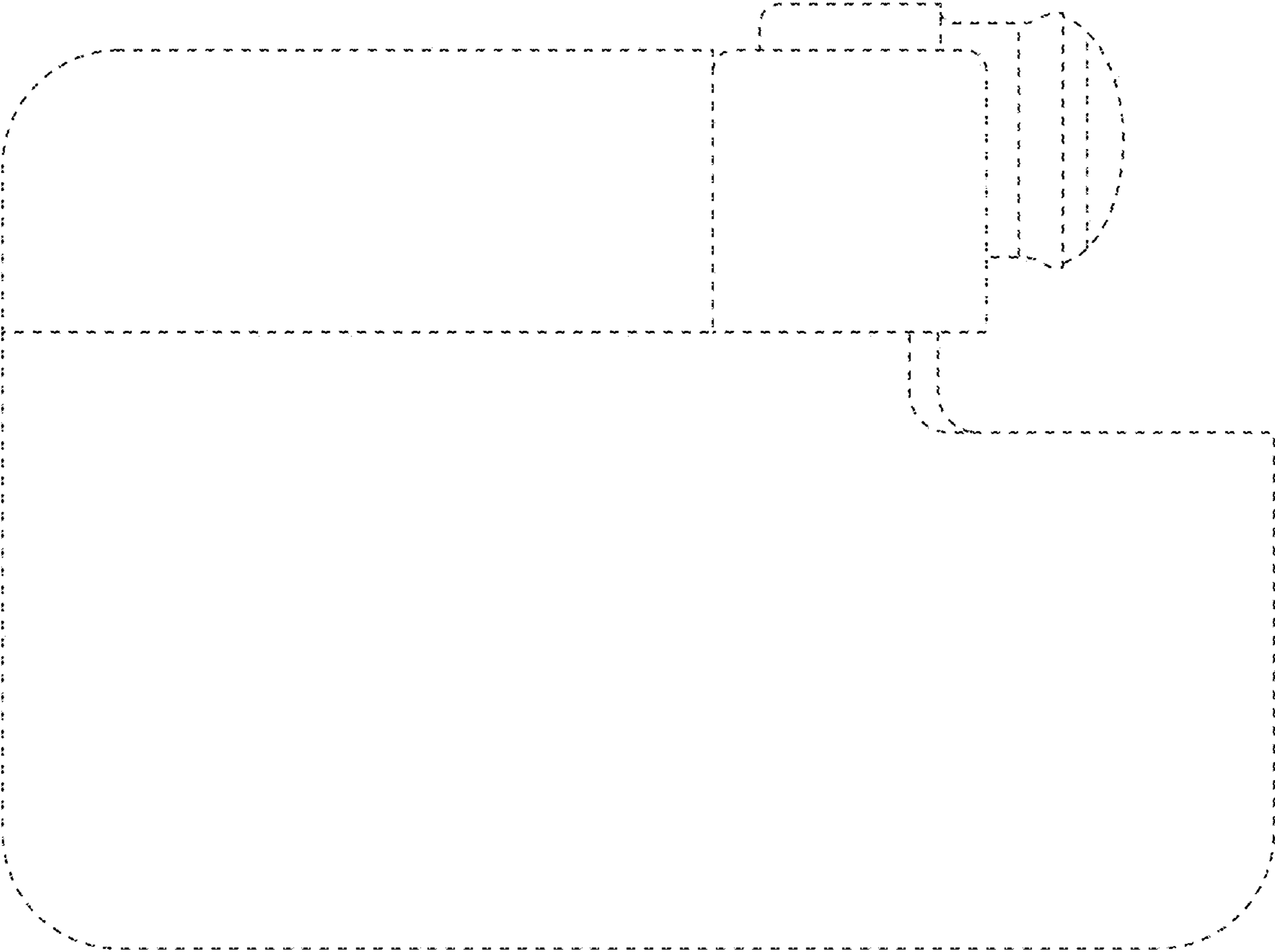


FIG. 28

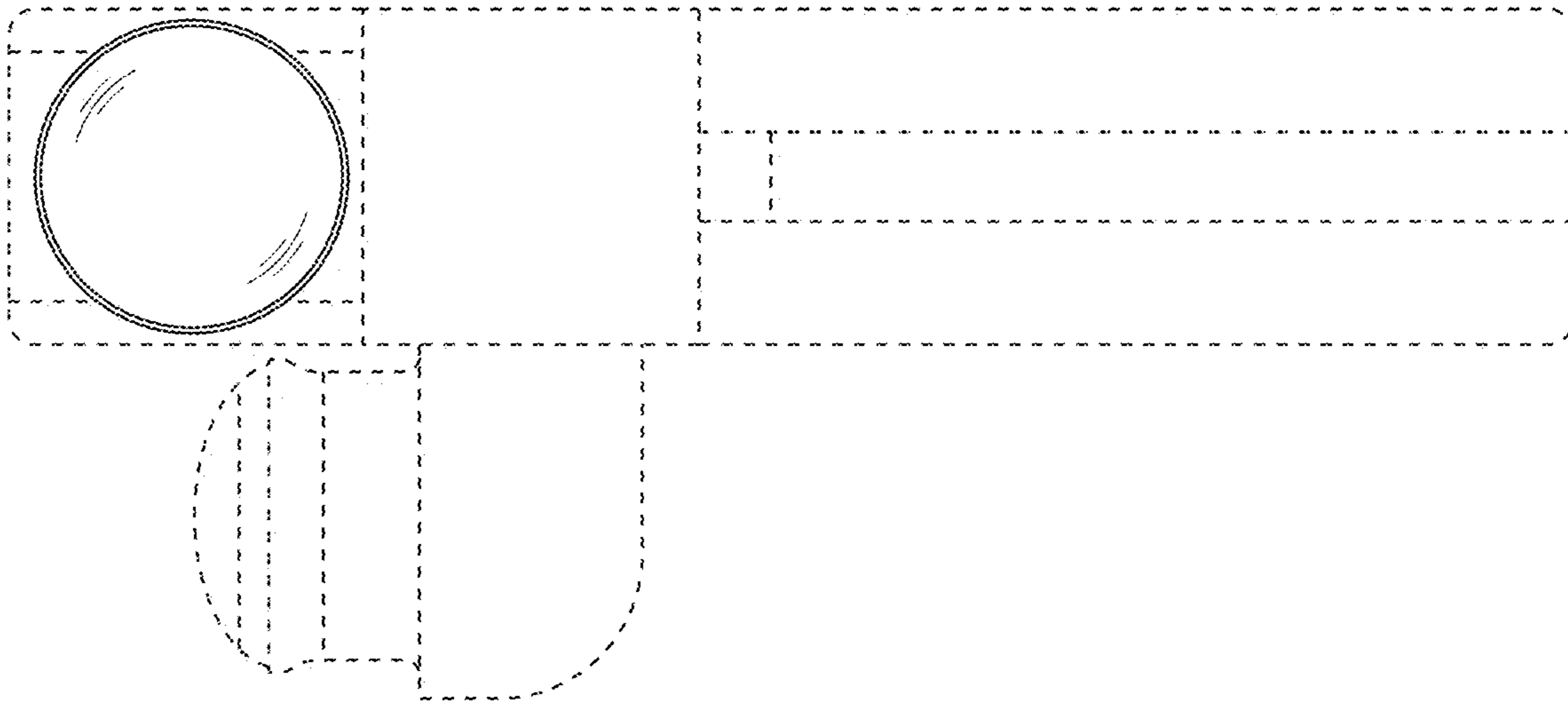


FIG. 29

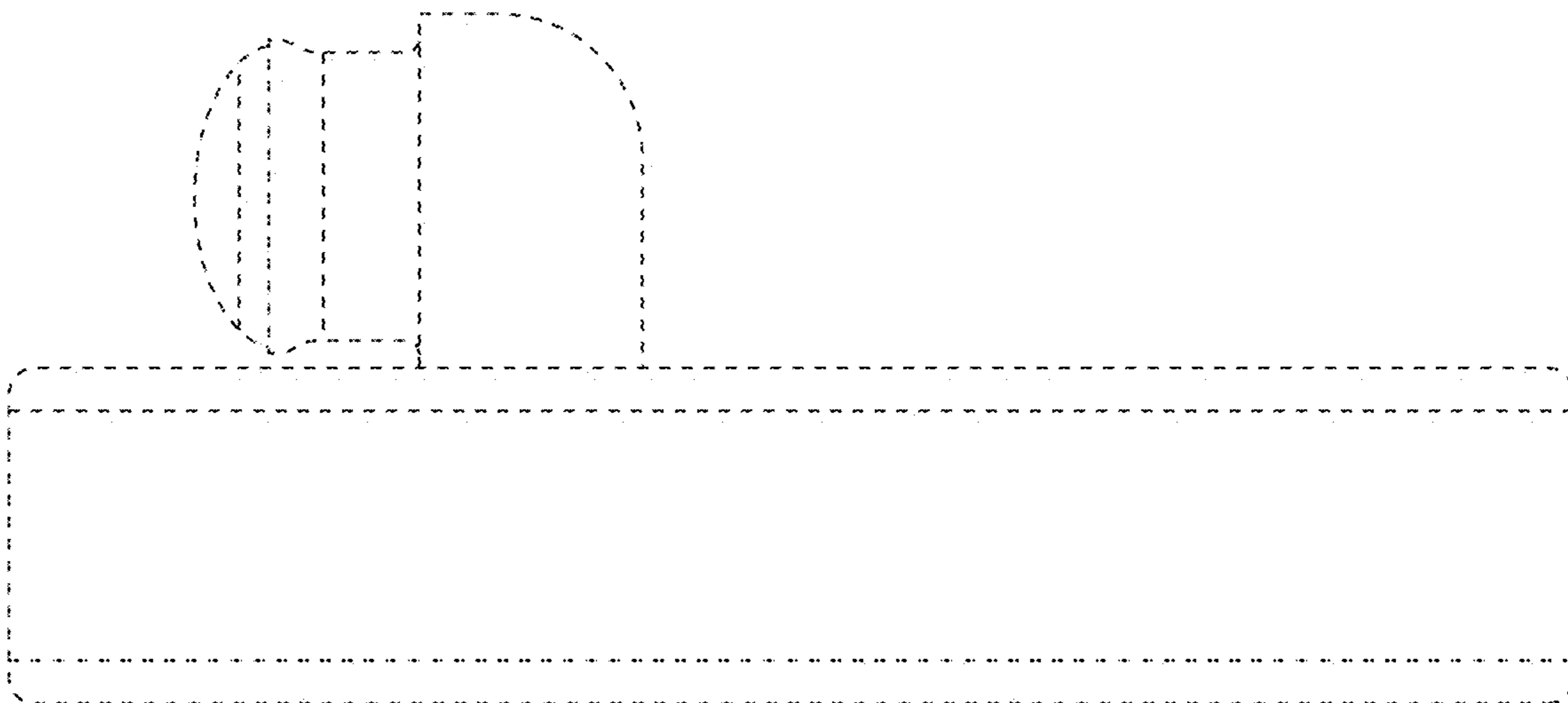


FIG. 30

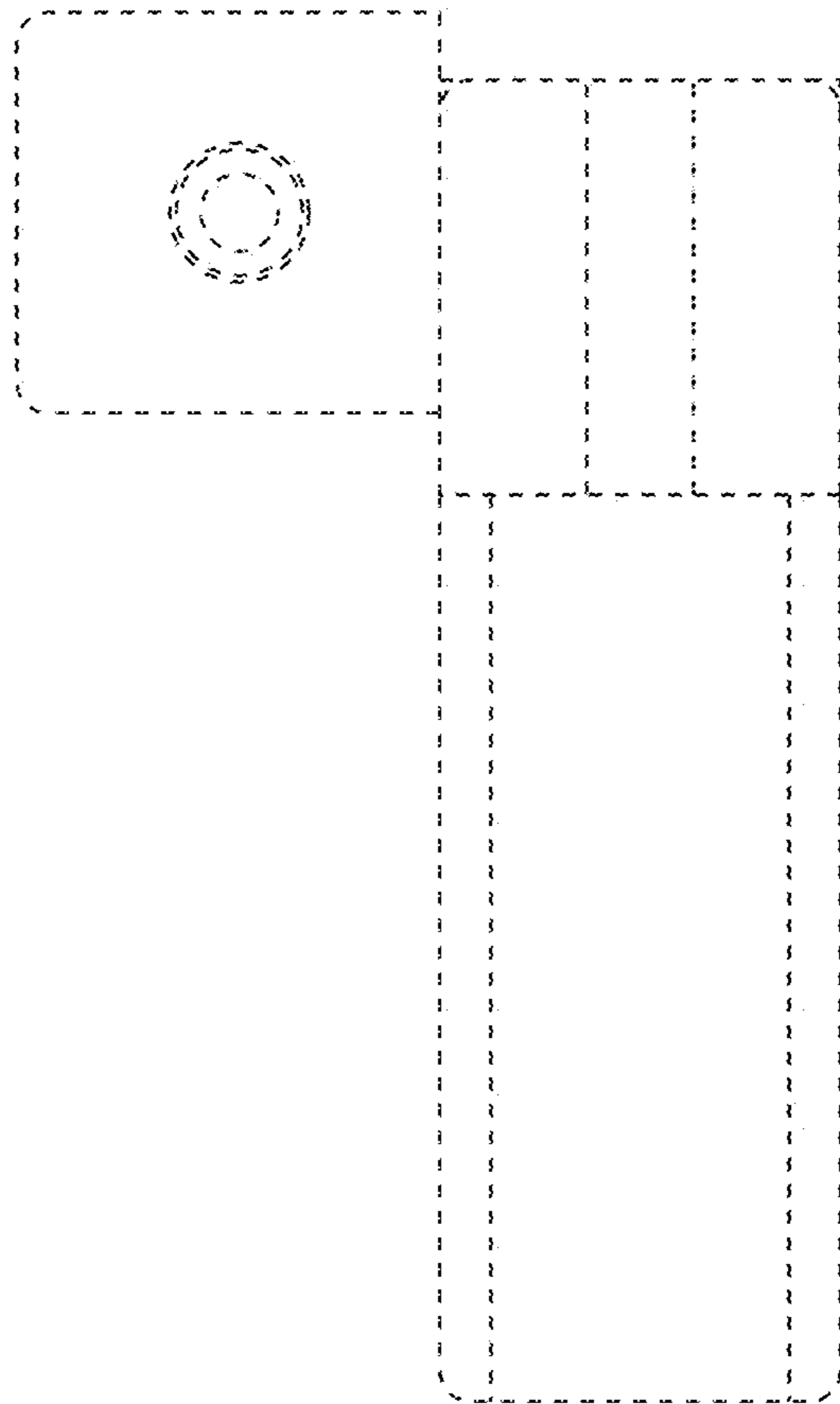


FIG. 31

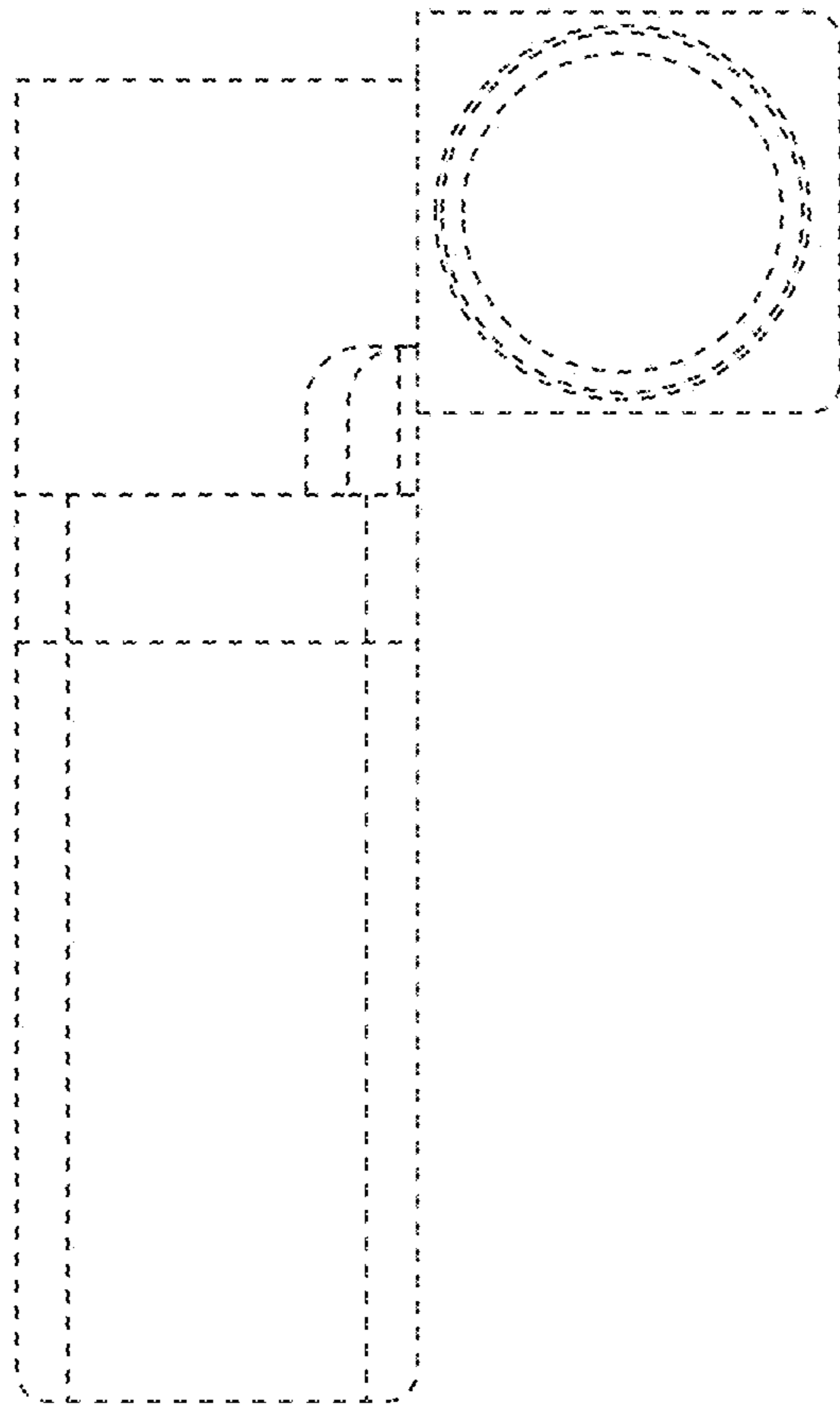


FIG. 32

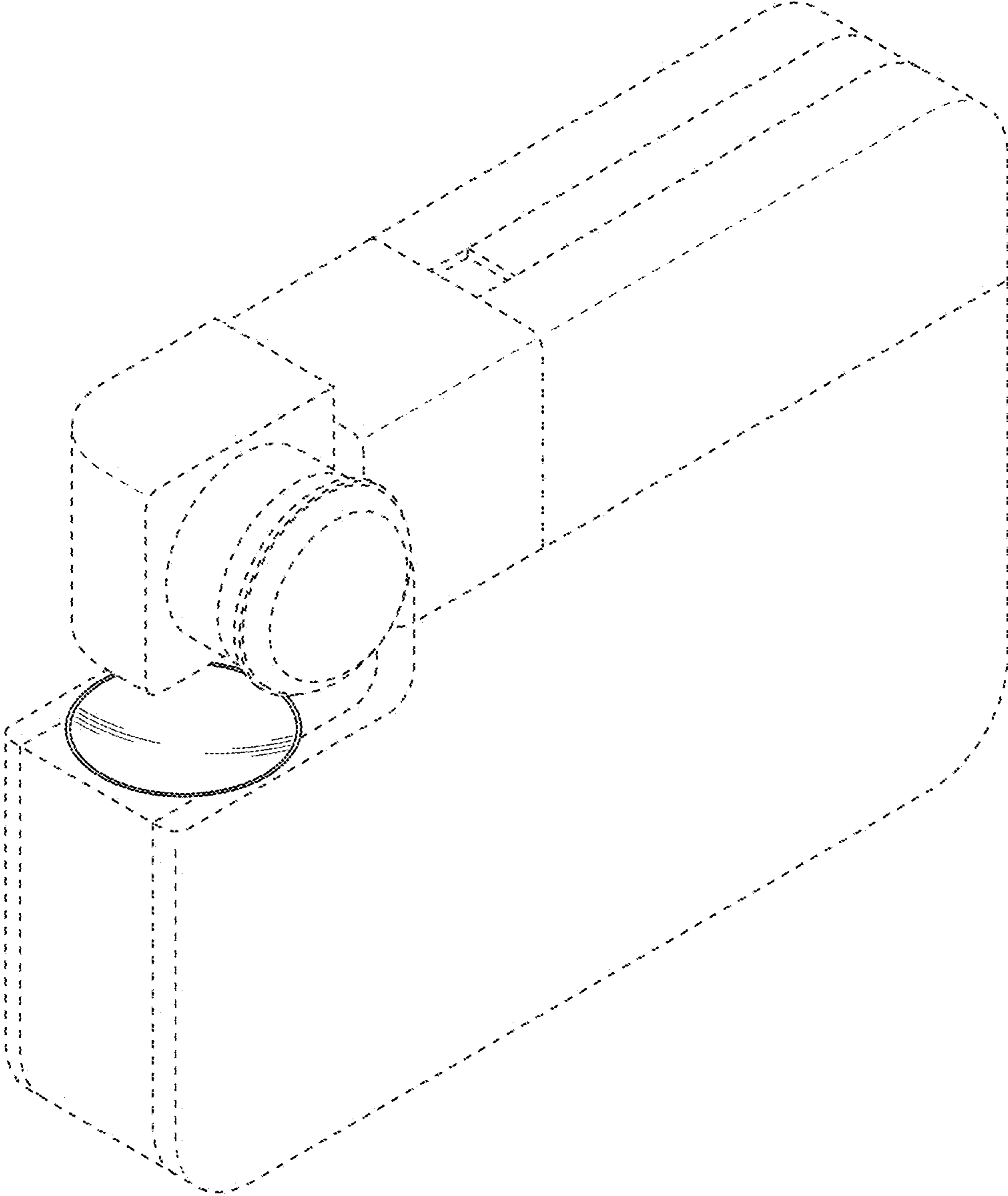


FIG. 33

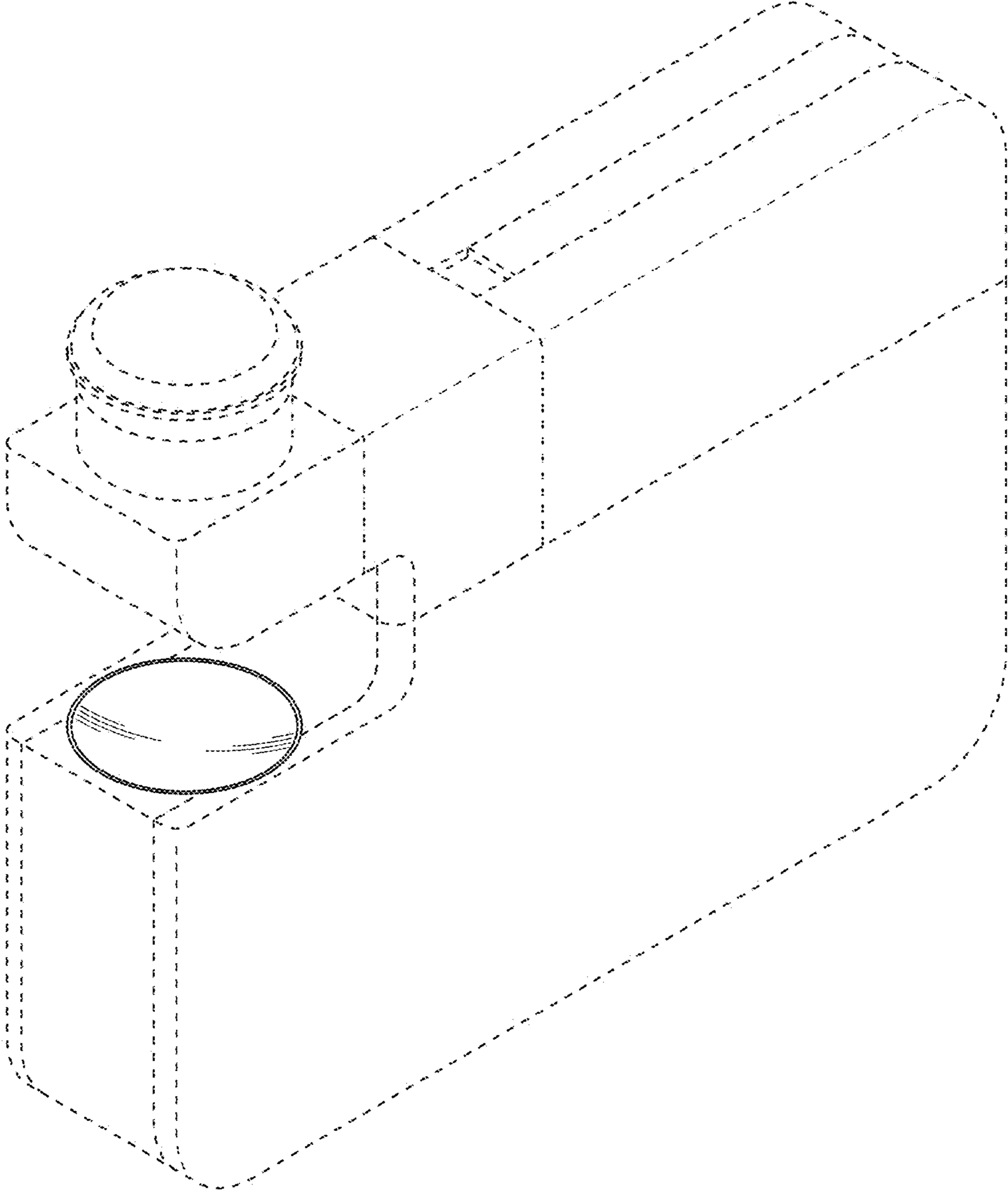


FIG. 34

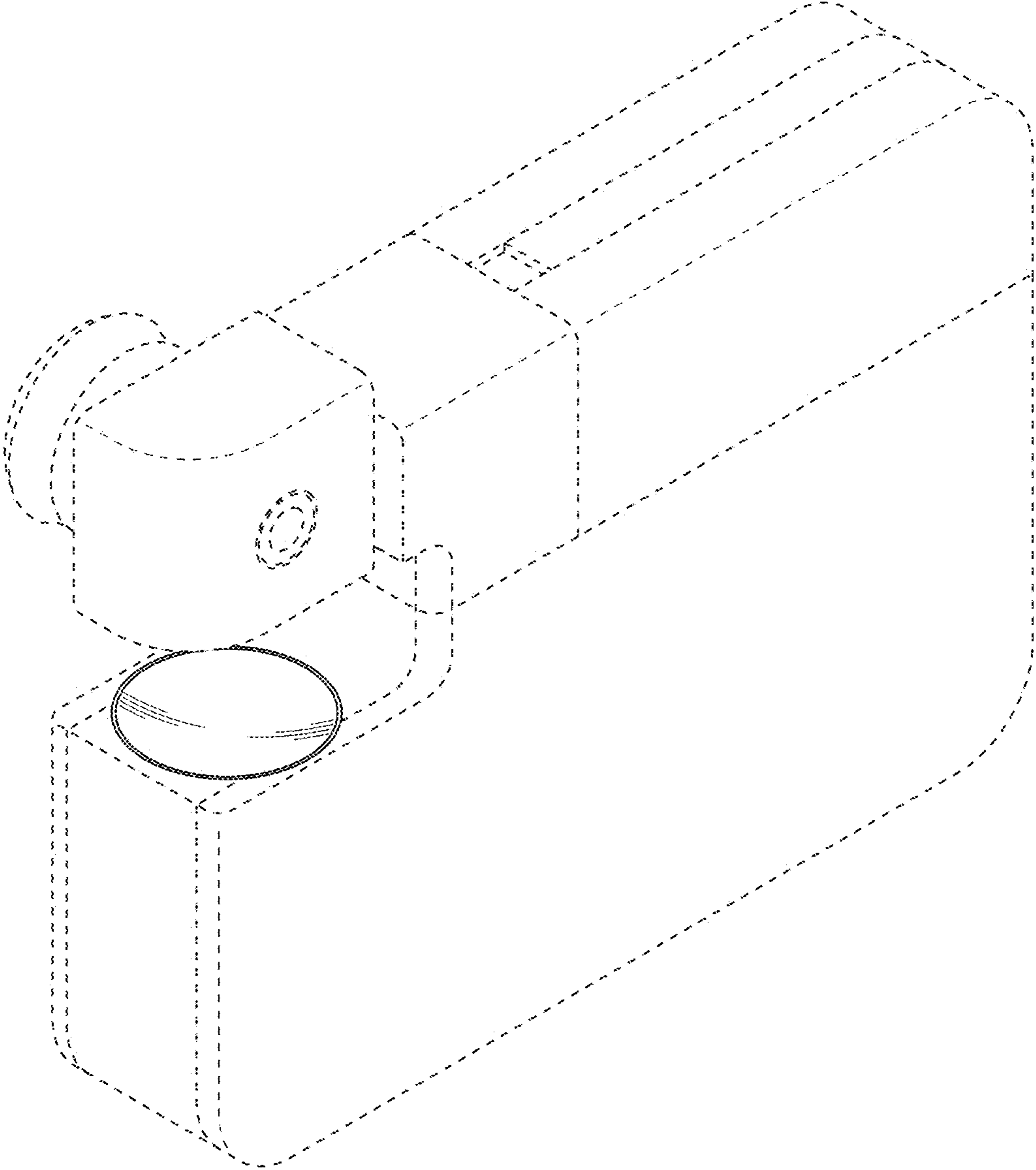


FIG. 35

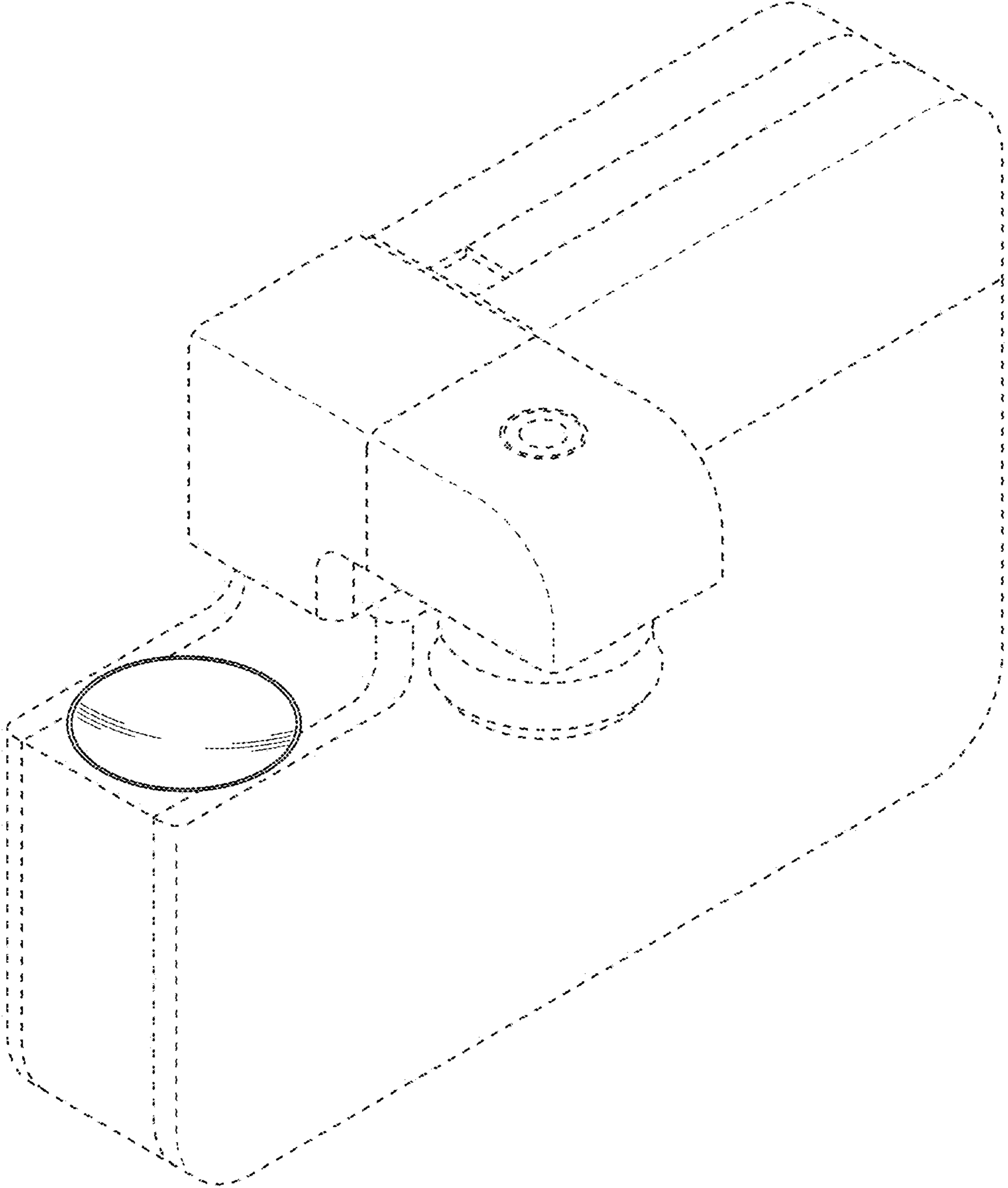


FIG. 36

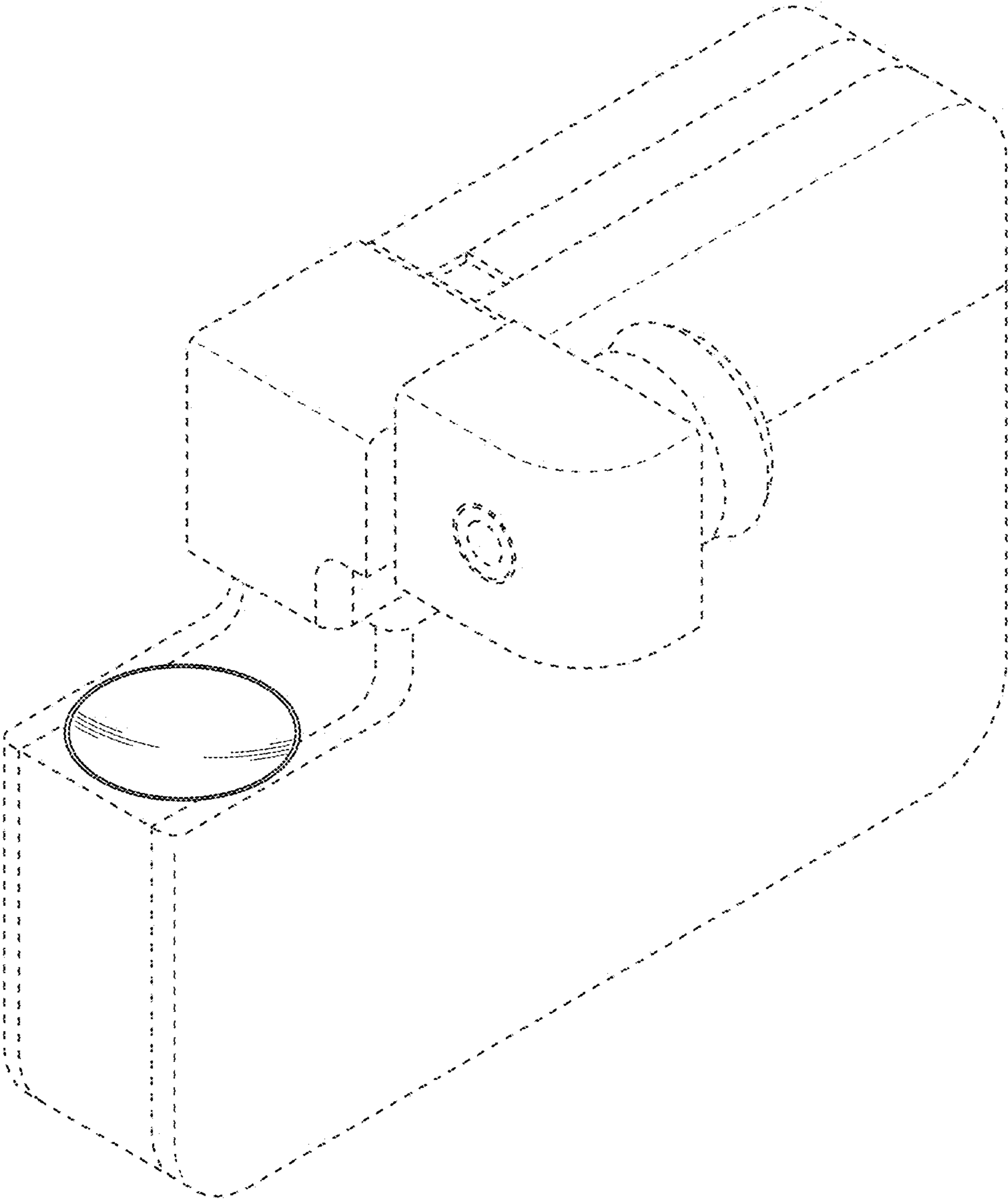


FIG. 37

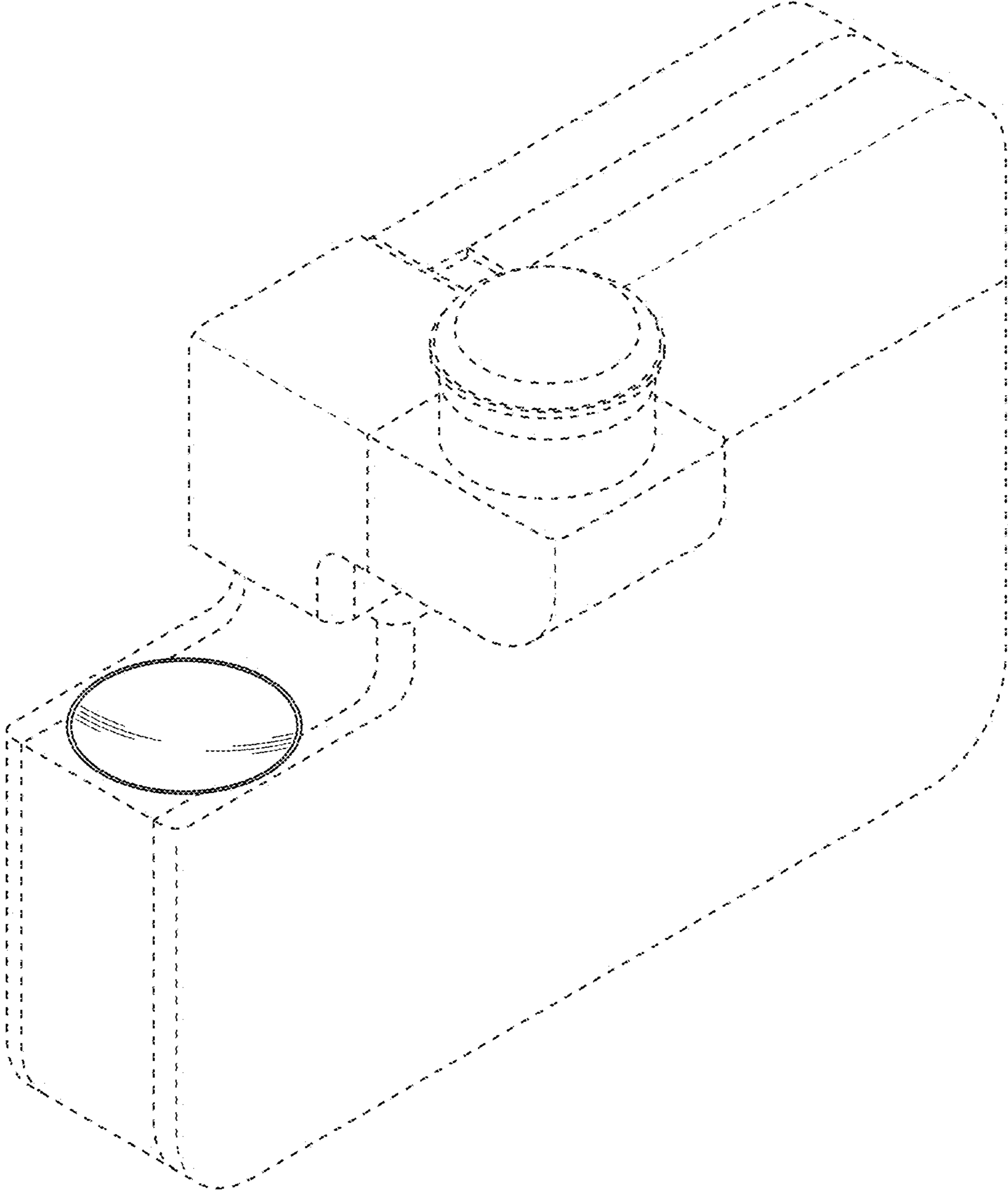


FIG. 38

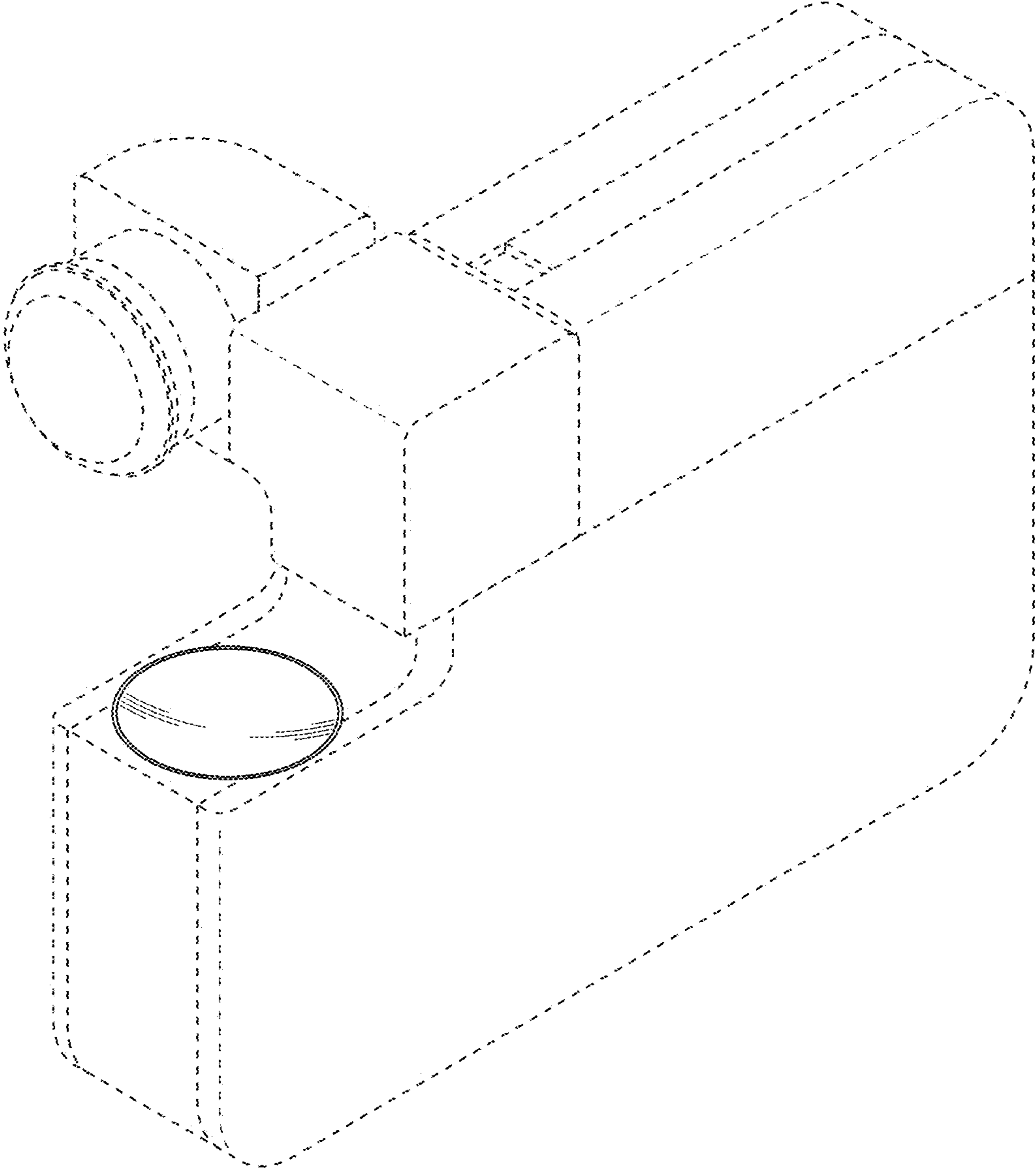


FIG. 39

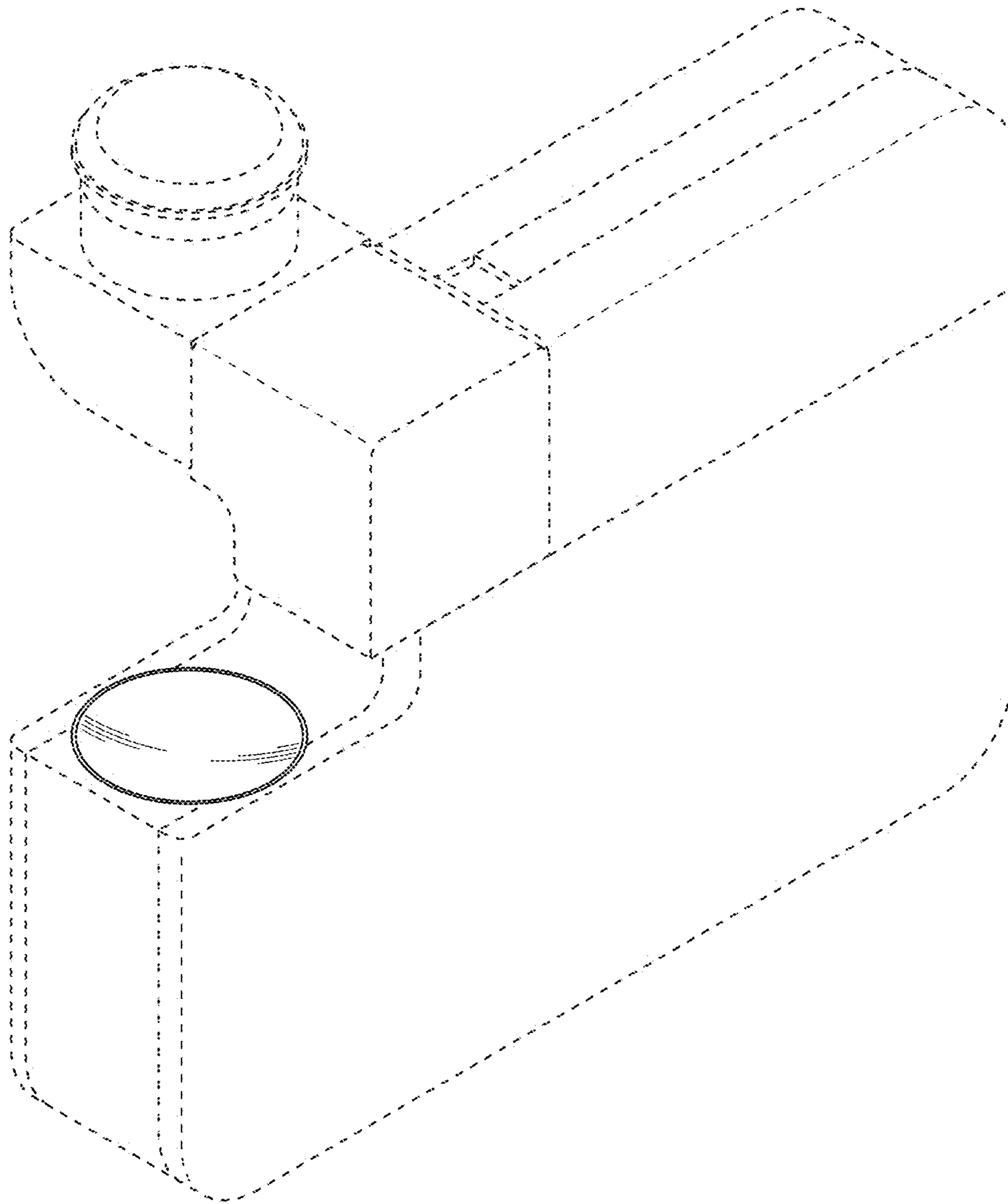


FIG. 40

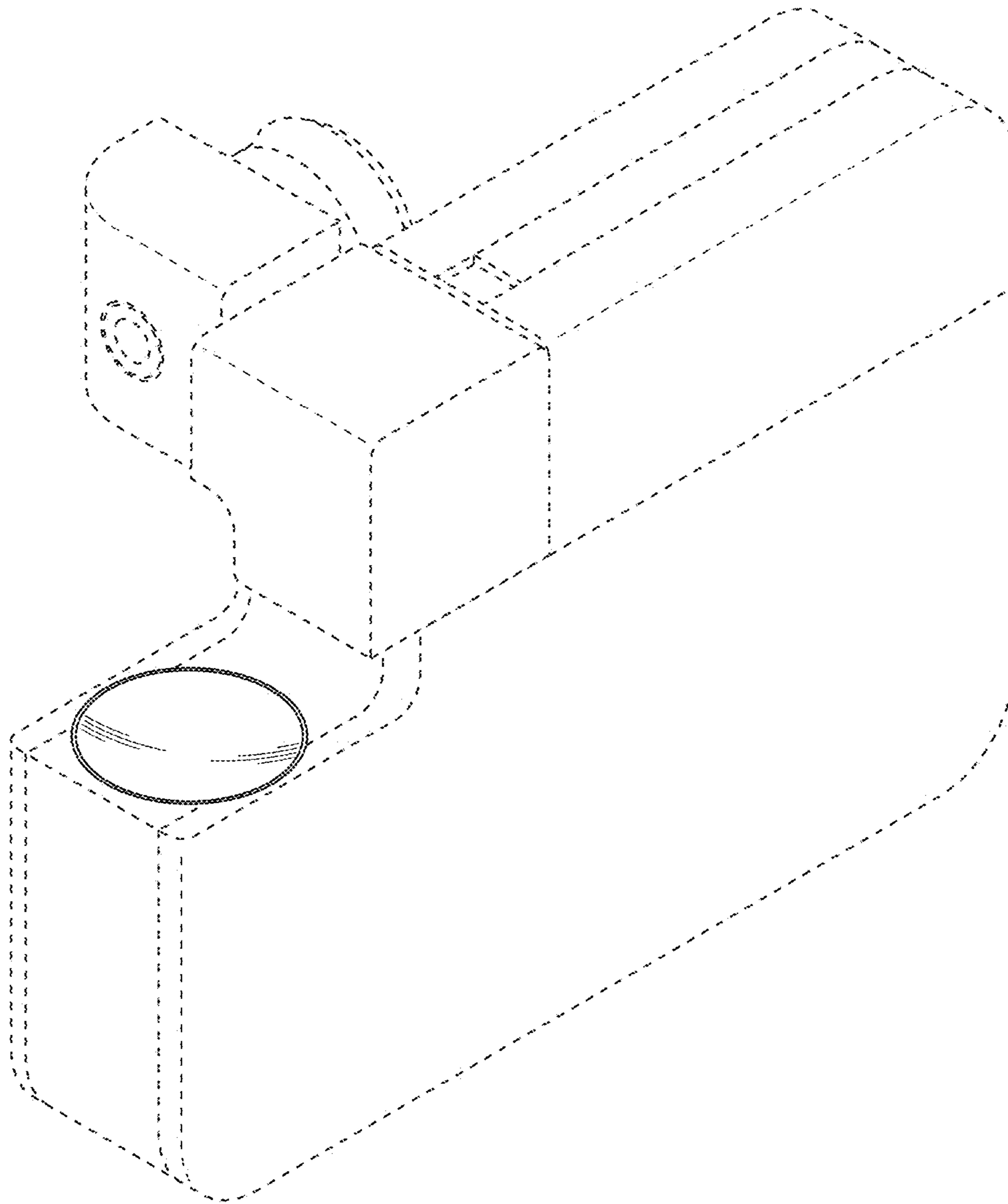


FIG. 41

