



US00D884058S

(12) **United States Design Patent**
He

(10) **Patent No.:** **US D884,058 S**

(45) **Date of Patent:** **** May 12, 2020**

(54) **MINI PROJECTOR**

(71) Applicant: **Gangqiang He**, Guangdong (CN)

(72) Inventor: **Gangqiang He**, Guangdong (CN)

(73) Assignee: **Shenzhen Huiying Technology Co., Ltd.**, Shenzhen (CN)

(**) Term: **15 Years**

(21) Appl. No.: **29/688,375**

(22) Filed: **Apr. 20, 2019**

(51) **LOC (12) Cl.** **16-02**

(52) **U.S. Cl.**
USPC **D16/230**

(58) **Field of Classification Search**
USPC D16/221, 225, 230–231, 234; D21/514;
353/115, 119, 122
CPC G03B 21/145; G03B 21/14; G03B 21/16;
G03B 21/00; G03B 21/001; G03B
21/003; G03B 21/12
See application file for complete search history.

(56) **References Cited**

U.S. PATENT DOCUMENTS

D522,037 S * 5/2006 Inoue D16/225
D599,393 S * 9/2009 Takeda D16/230

D709,120 S * 7/2014 Isozaki D16/225
D762,256 S * 7/2016 Han D16/225
D850,516 S * 6/2019 Zhang D16/230

* cited by examiner

Primary Examiner — Wan Laymon

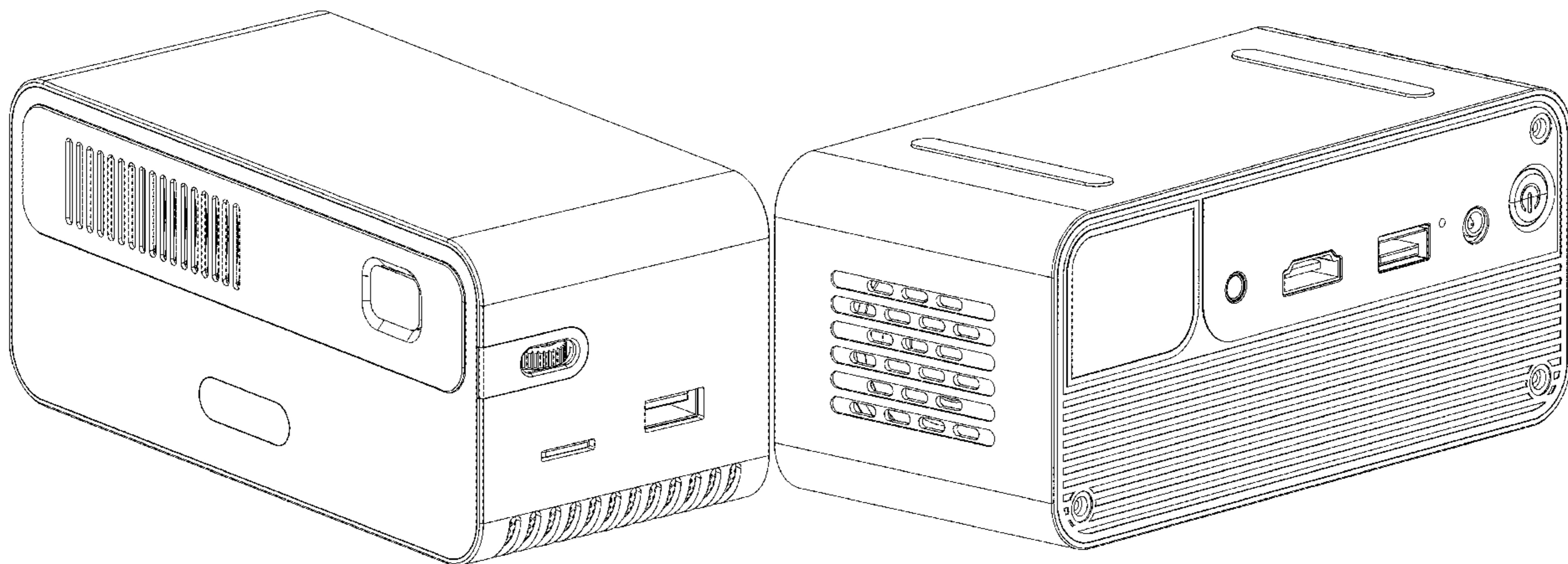
(57) **CLAIM**

The ornamental design for a mini projector, as shown and described.

DESCRIPTION

FIG. 1 is a perspective view of a mini projector showing my new design;
FIG. 2 is another perspective view thereof;
FIG. 3 is yet another perspective view thereof;
FIG. 4 is a front elevational view thereof;
FIG. 5 is a rear elevational view thereof;
FIG. 6 is a left side view thereof;
FIG. 7 is a right side view thereof;
FIG. 8 is a top plan view thereof; and,
FIG. 9 is a bottom plan view thereof.

1 Claim, 6 Drawing Sheets



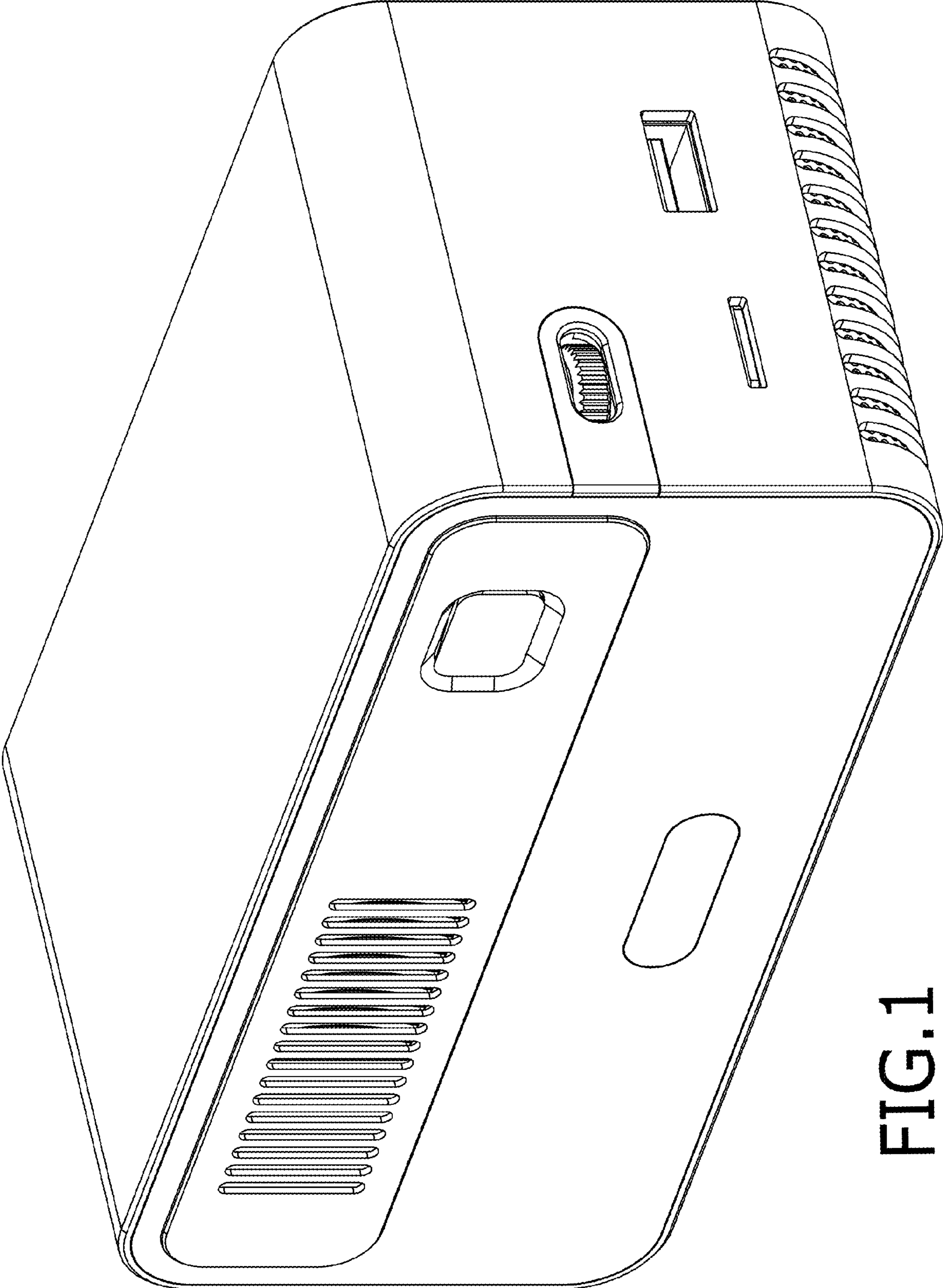


FIG. 1

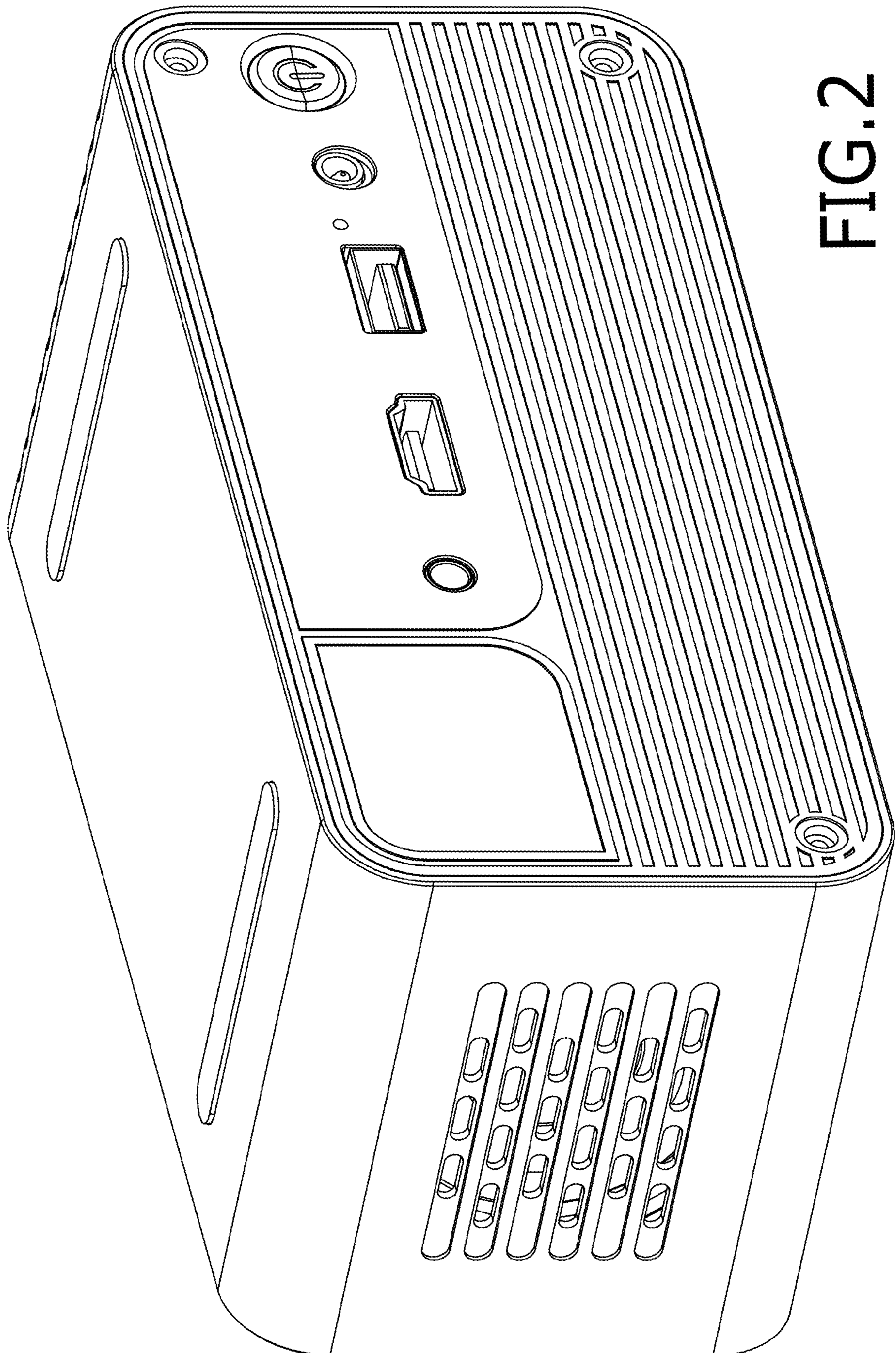


FIG. 2

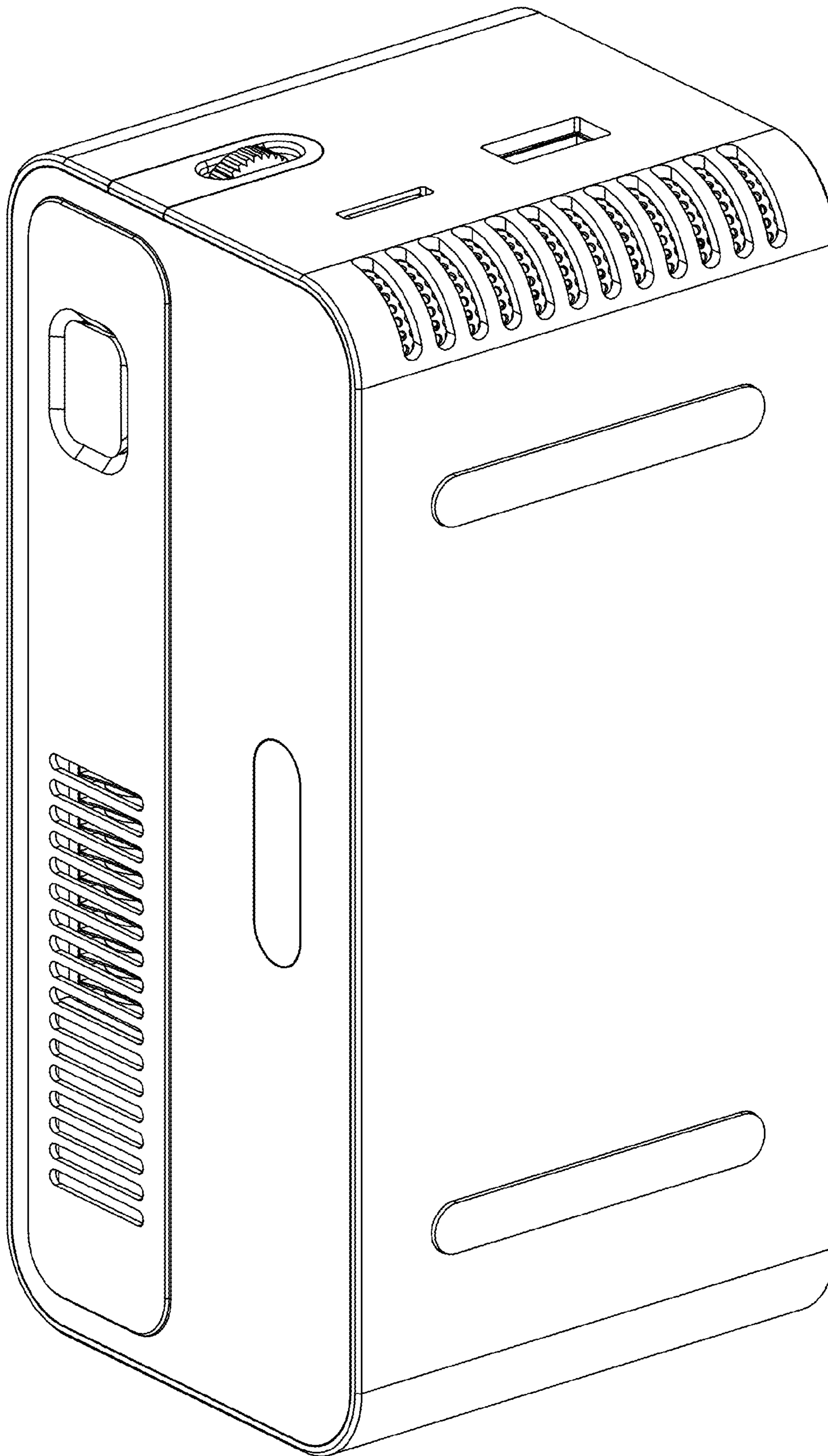


FIG. 3

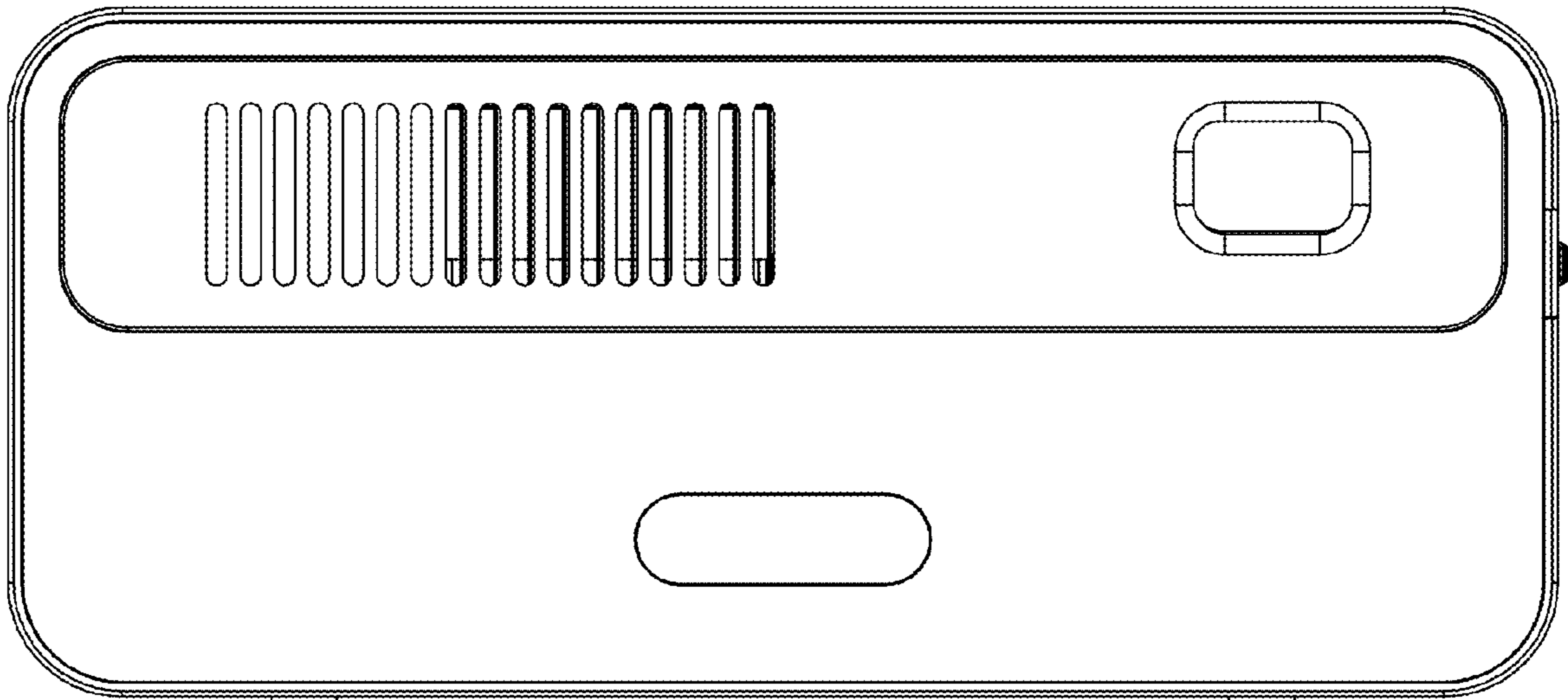


FIG. 4

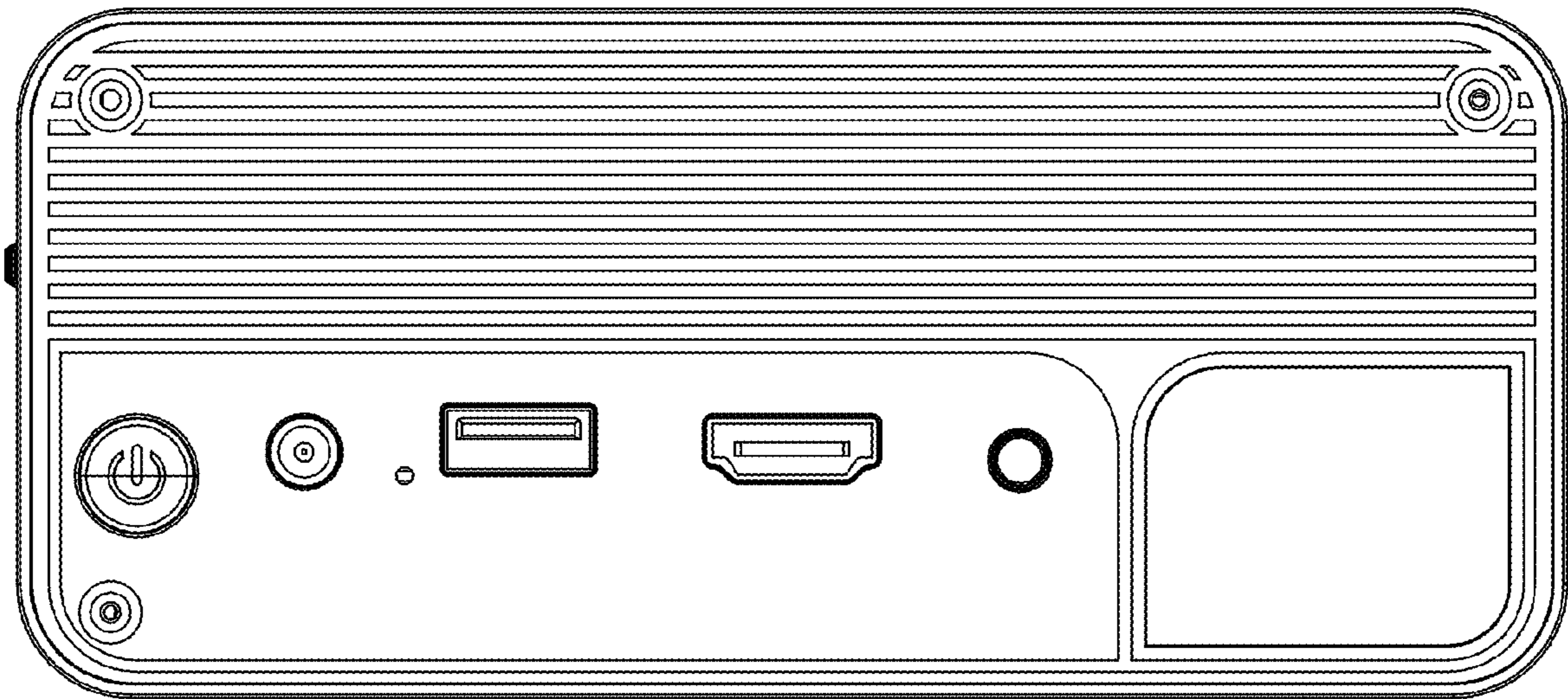


FIG. 5

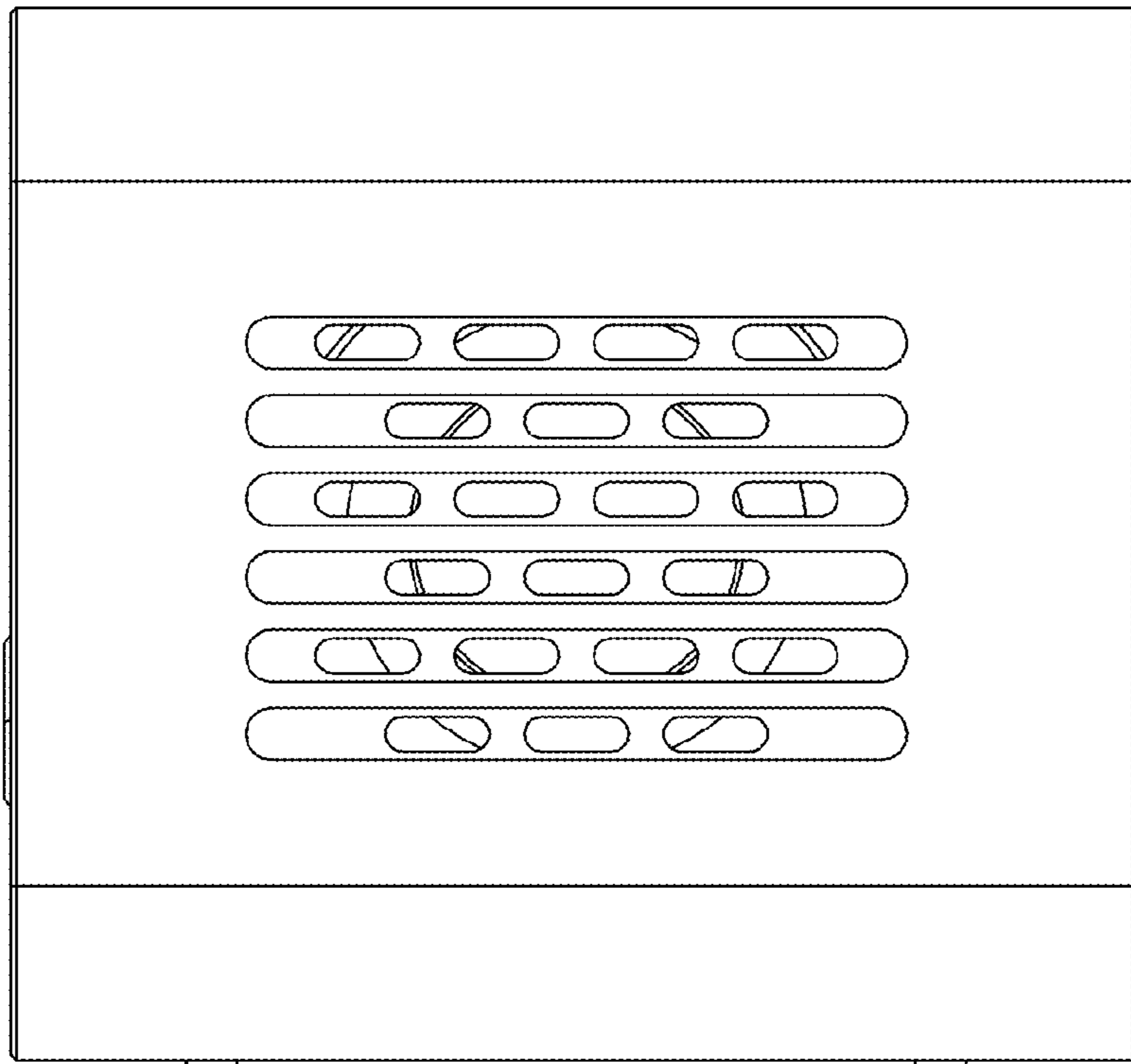


FIG. 6

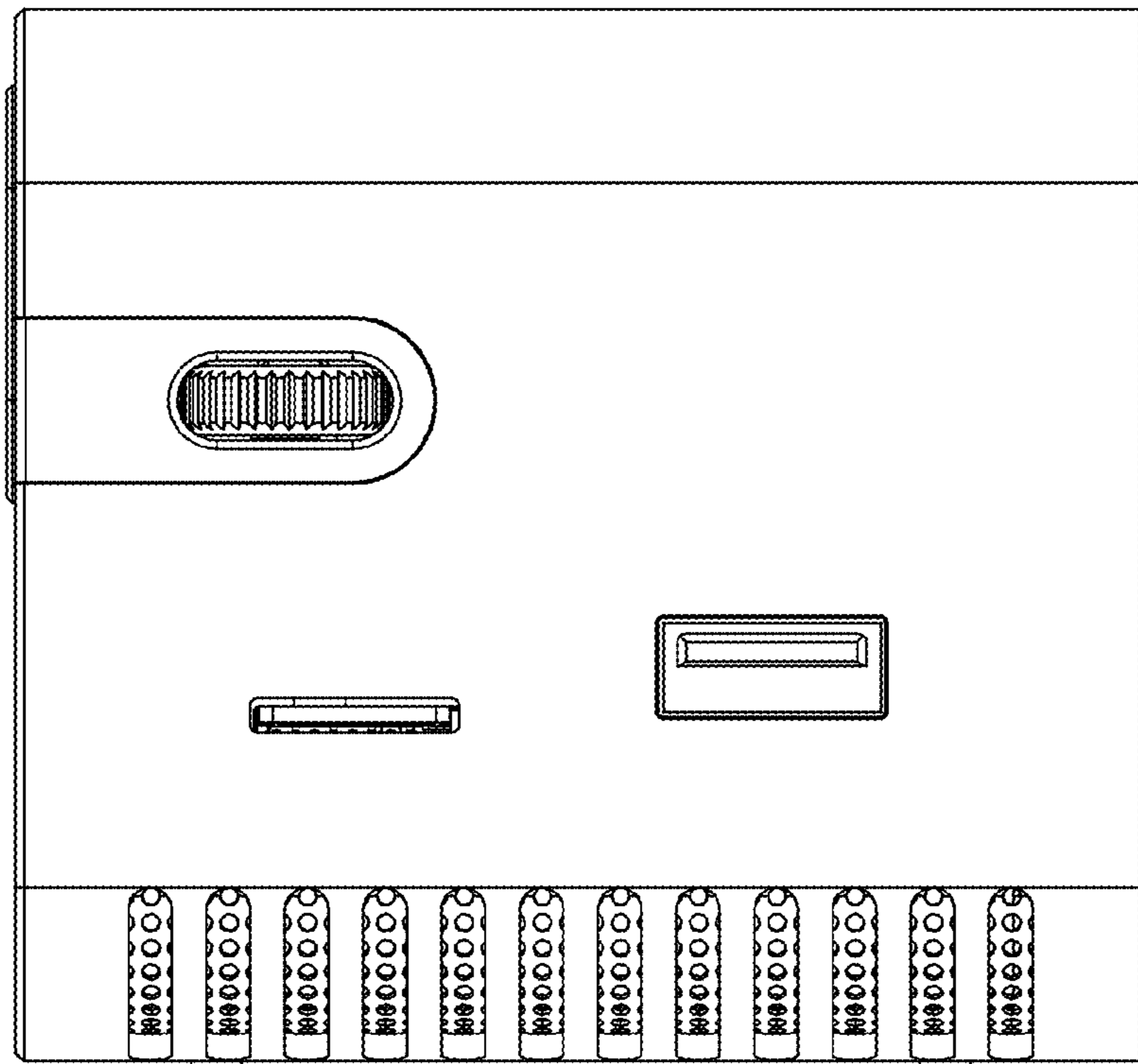


FIG. 7

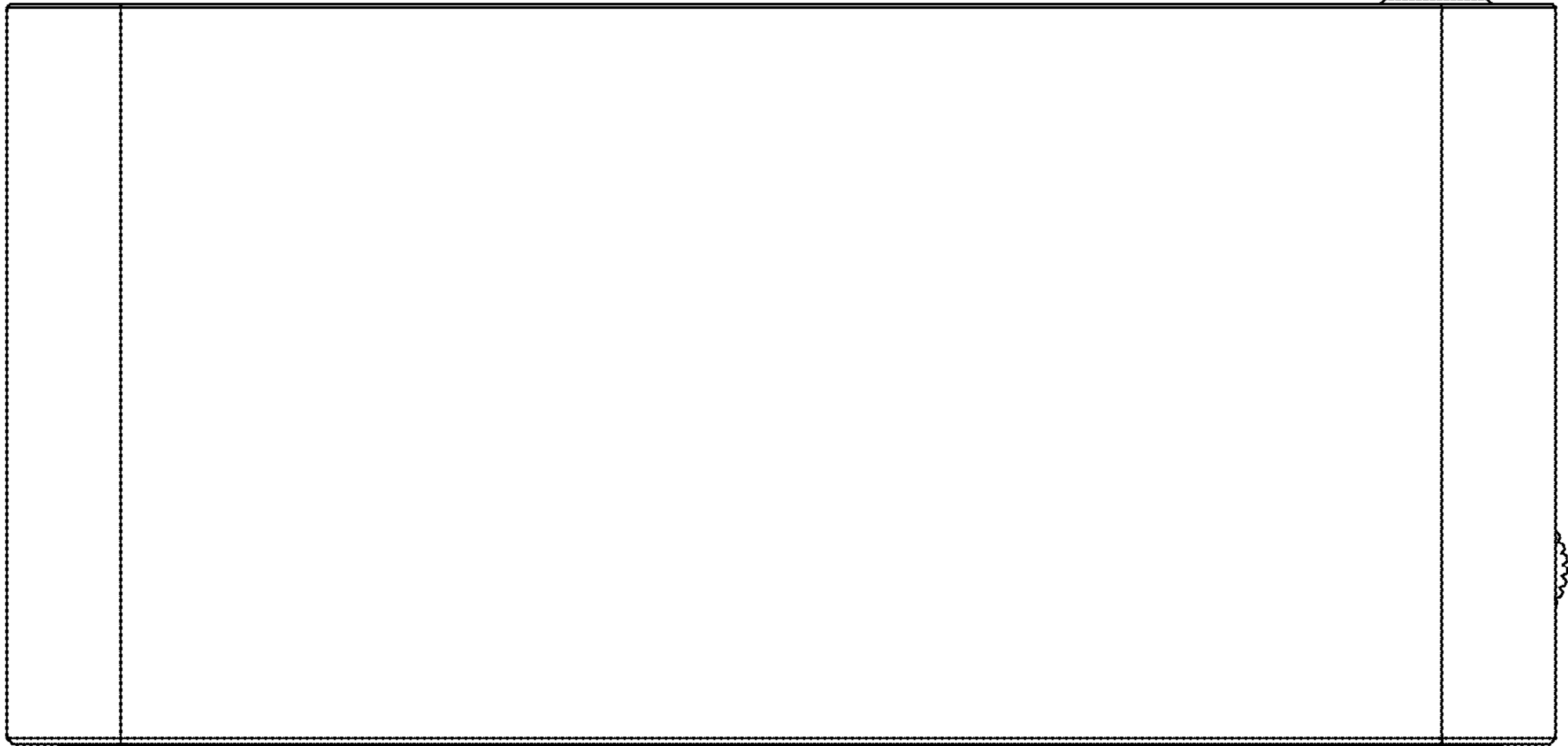


FIG. 8

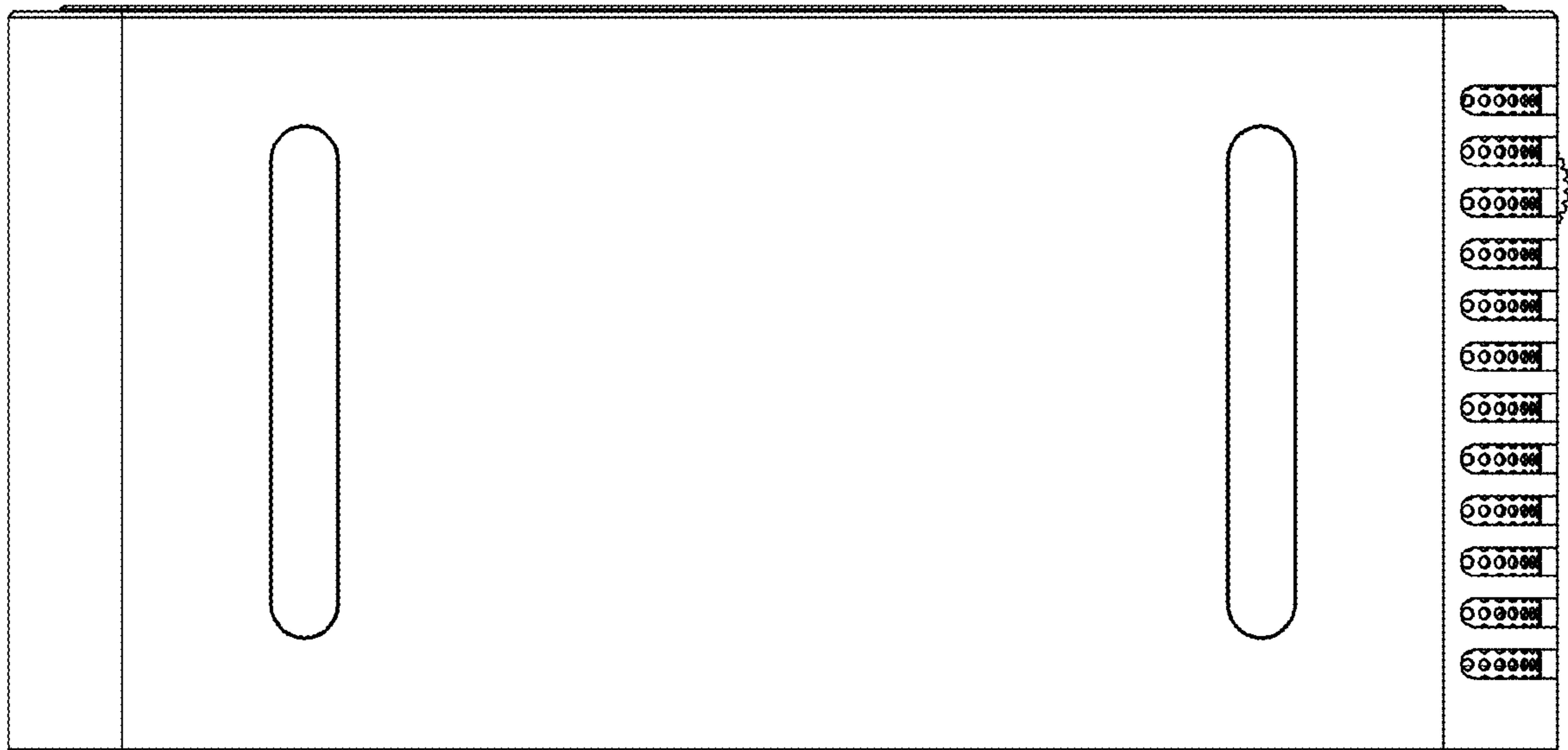


FIG. 9