



US00D884056S

(12) **United States Design Patent**
von Fintel et al.

(10) **Patent No.:** **US D884,056 S**

(45) **Date of Patent:** **** May 12, 2020**

- (54) **DIGITAL CAMERA DISPLAY**
- (71) Applicant: **Carl Zeiss AG**, Oberkochen (DE)
- (72) Inventors: **Aaron von Fintel**, Berlin (DE);
Dominik Meier, Munich (DE);
Franziska Haas, Oberschleißheim (DE);
Alexander Peters, Munich (DE);
Julia Löffler, Munich (DE)
- (73) Assignee: **Carl Zeiss AG**, Oberkochen (DE)

D713,869	S	*	9/2014	Kim	D16/202
D734,802	S	*	7/2015	Osada	D16/202
D745,908	S	*	12/2015	Ham	D16/202
D779,575	S	*	2/2017	Kobayashi	D16/202
D810,172	S	*	2/2018	Miyashita	D16/219
D813,922	S	*	3/2018	Kamei	D16/202
D816,757	S	*	5/2018	Sakai	D16/219
D852,258	S	*	6/2019	Saito	D16/219
D855,679	S	*	8/2019	Takagi	D16/219
D856,395	S	*	8/2019	Takagi	D16/219
2011/0298970	A1	*	12/2011	Shinohara	G03B 17/14 348/373

(**) Term: **15 Years**

(21) Appl. No.: **29/624,006**

(22) Filed: **Oct. 29, 2017**

(30) **Foreign Application Priority Data**

Apr. 28, 2017 (EM) 003878602-0005

(51) **LOC (12) Cl.** **16-05**

(52) **U.S. Cl.**
USPC **D16/219**

(58) **Field of Classification Search**
USPC D16/200, 202–206, 208, 217, 218, 219;
348/340, 373–376; 396/89, 176–178,
396/535, 539–541
CPC G03B 15/03; G03B 17/02; G03B 17/04;
G03B 17/56; G03B 19/04; H04N 5/2251;
H04N 5/2252; H04N 5/2253; H04N
5/2254; H04N 2101/00
See application file for complete search history.

(56) **References Cited**

U.S. PATENT DOCUMENTS

D646,314 S * 10/2011 Nohara D16/202
D695,803 S * 12/2013 Kyunghan D16/202

OTHER PUBLICATIONS

U.S. Appl. No. 29/624,002, filed Oct. 29, 2018, Aaron von Fintel.
U.S. Appl. No. 29/624,003, filed Oct. 29, 2018, Aaron von Fintel.
U.S. Appl. No. 29/624,004, filed Oct. 29, 2018, Aaron von Fintel.
U.S. Appl. No. 29/624,005, filed Oct. 29, 2018, Aaron von Fintel.
Samsung Galaxy NX smart camera user manual, Samsung Electronics America (SEA), Inc, 2013.

(Continued)

Primary Examiner — Ramzi S Almatrahi

(74) *Attorney, Agent, or Firm* — Falk Ewers; Ewers IP Law PLLC

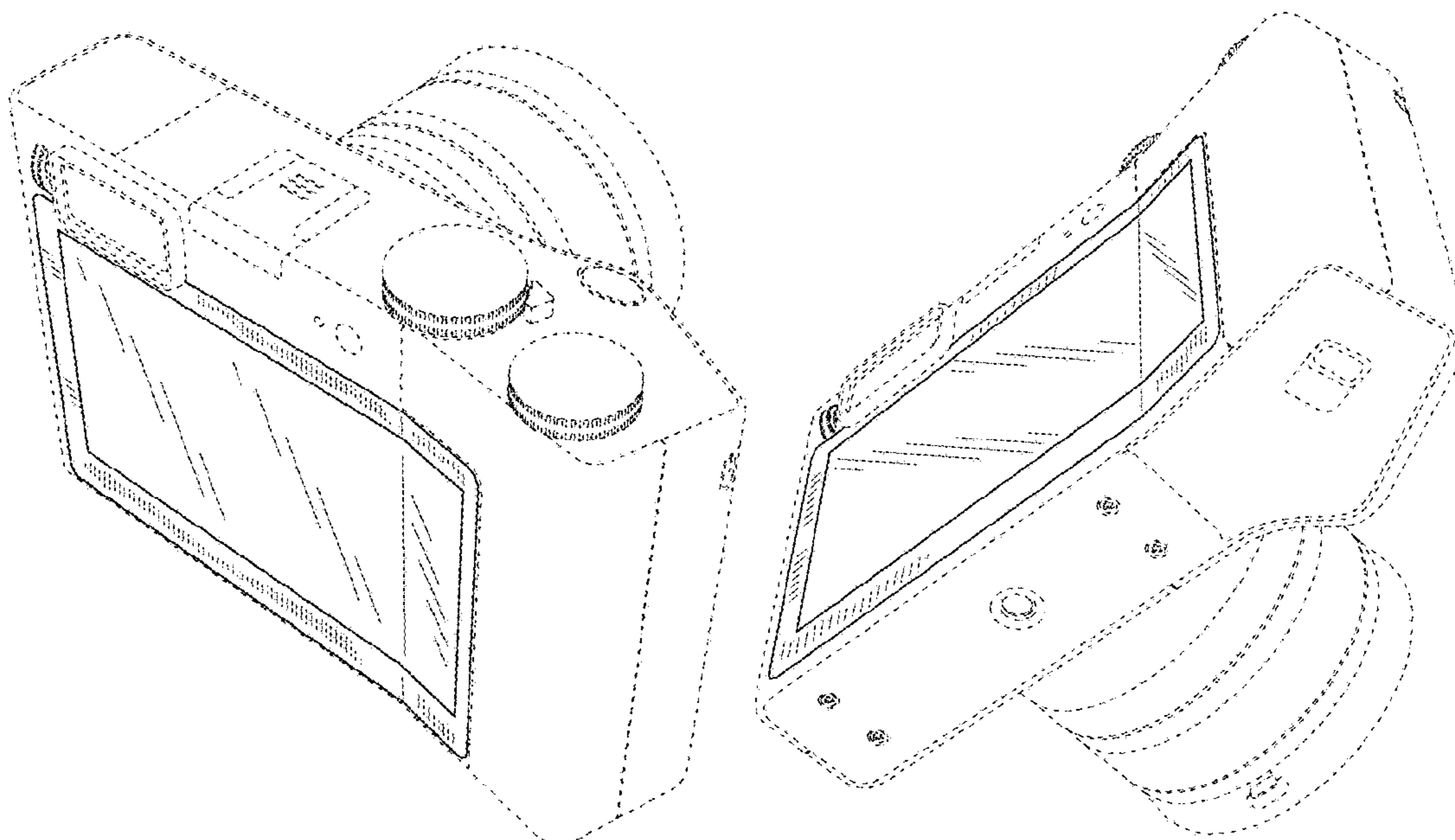
(57) **CLAIM**

The ornamental design for a digital camera display, as shown and described.

DESCRIPTION

FIG. 1 is a top and rear perspective view of a digital camera display showing our new design; and, FIG. 2 is a bottom and rear perspective view thereof. The broken lines depict portions of the digital camera display in which the design is embodied that form no part of the claimed design.

1 Claim, 2 Drawing Sheets



(56)

References Cited

OTHER PUBLICATIONS

Das Wesentliche, Leica Q, Leica Camera AG, May 2015.

Leica M / M-P, Instructions, Leica Camera AG, 2014.

Lytro Illum User Manual, Aug. 5, 2015.

Sigma, dp Quattro, Sigma Corporation, 2015.

Cyber-shot User Guide, Sony Corporation, 2013.

* cited by examiner

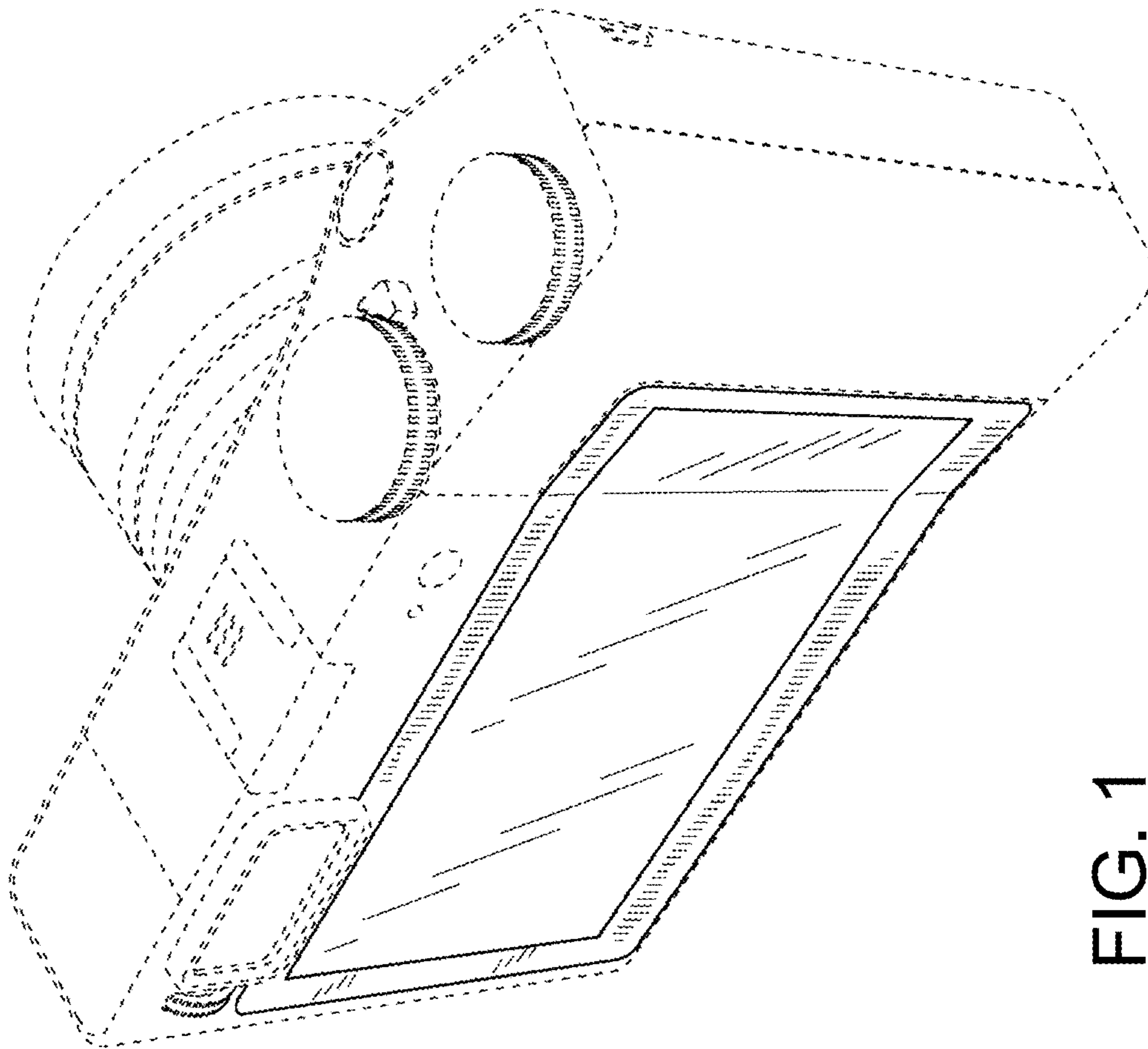


FIG. 1

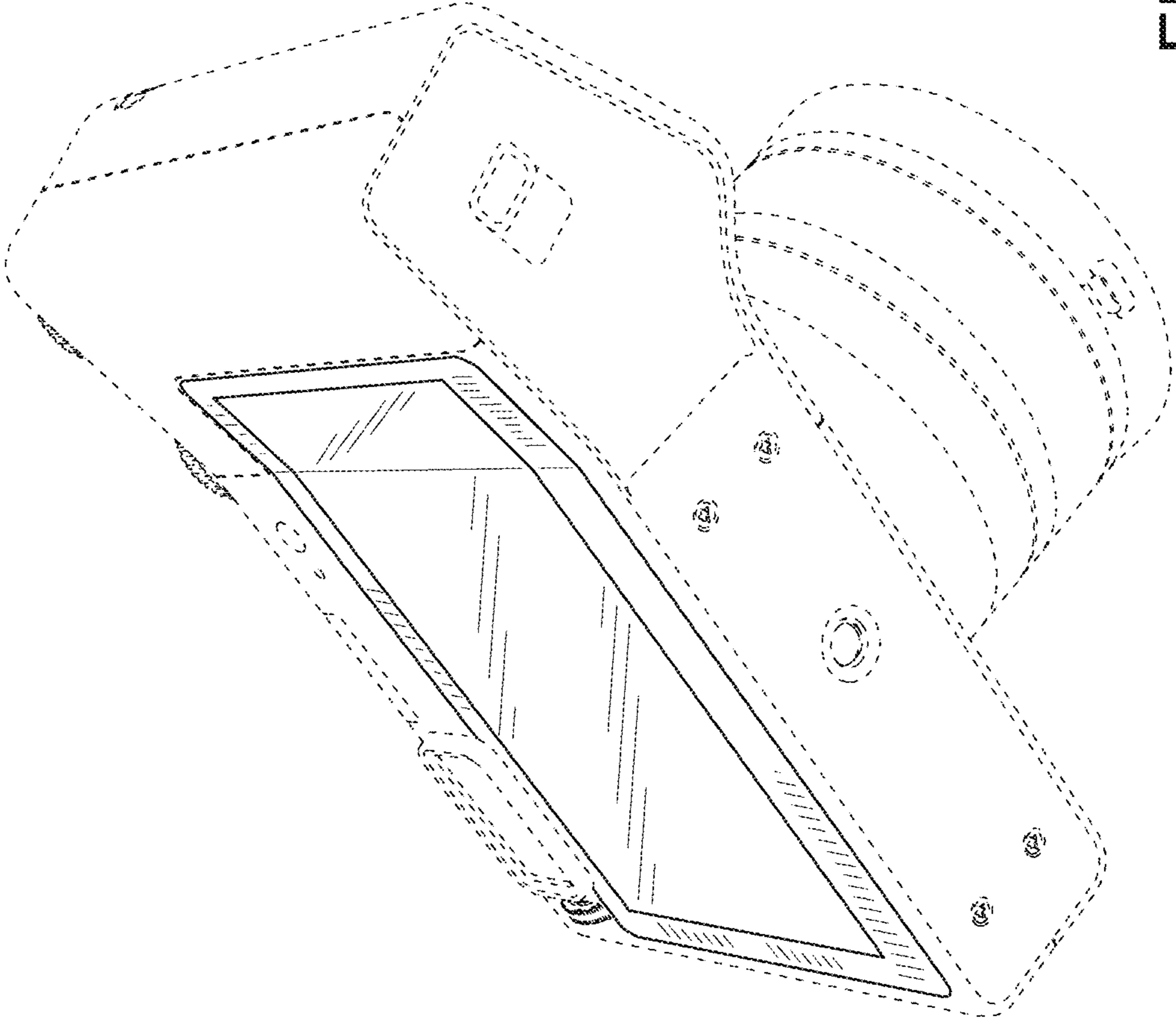


FIG. 2