



US00D884055S

(12) **United States Design Patent**  
**Jeong et al.**

(10) **Patent No.:** **US D884,055 S**

(45) **Date of Patent:** **\*\* May 12, 2020**

(54) **CAMERA FOR MOBILE DEVICE**

(71) Applicant: **Wisdom & Vision Co., Ltd**, Naju-si, Jeollanam-do (KR)

(72) Inventors: **Yeon Soo Jeong**, Gwangju (KR); **Tae Ok Choi**, Gwangju (KR); **Young Long Oh**, Gwangju (KR)

(73) Assignee: **Wisdom & Vision Co., Ltd.**, Naju-si (KR)

(\*\*) Term: **15 Years**

(21) Appl. No.: **29/671,300**

(22) Filed: **Nov. 26, 2018**

(30) **Foreign Application Priority Data**

Oct. 26, 2018 (KR) ..... 30-2018-0049477

(51) **LOC (12) Cl.** ..... **16-01**

(52) **U.S. Cl.**  
USPC ..... **D16/208**; D16/202; D16/237; D16/218

(58) **Field of Classification Search**  
USPC ..... D16/200–220, 131, 132, 237, 242, 239, D16/250, 235, 130, 134, 136, 238, 243; D14/417, 138 C, 240, 248, 203.1, 203.3, D14/203.7, 218, 207, 440, 402, 454, 407, D14/408, 252, 253; D10/104.1, 50, 65, D10/74, 70, 118.2, 66; D30/199; D29/102, 122, 103; D3/269, 267; D12/187

CPC ..... G03B 17/00; G03B 17/02; G03B 17/56; G03B 17/04; G03B 17/14; G03B 17/08; G03B 15/03; G03B 15/06; H04N 1/00981; H04N 5/2251; H04N 5/2252; H04N 5/2253; H04N 5/2254; H04N 5/23238; H04N 7/00; H04N 13/239; H04N 2101/00; F16M 13/00

See application file for complete search history.

(56) **References Cited**

U.S. PATENT DOCUMENTS

D353,265 S *	12/1994	Newby, Sr. ....	D3/269
D568,841 S *	5/2008	Fischer .....	D13/184
D646,315 S *	10/2011	Orf .....	D14/263
D667,003 S *	9/2012	Richter .....	D14/253
D687,004 S *	7/2013	Behling .....	D14/138 G
D687,875 S *	8/2013	Sasaki .....	D16/202
D688,219 S *	8/2013	Ikezu .....	D14/138 G
D689,058 S *	9/2013	Waterman .....	D14/447
D697,121 S *	1/2014	Lepore .....	D16/218
D712,869 S *	9/2014	Muramoto .....	D14/188
D721,348 S *	1/2015	Plaschke .....	D14/138 AA
D734,803 S *	7/2015	Hallgren .....	D16/202

(Continued)

OTHER PUBLICATIONS

Opgal Therm-App (ThermApp) Android Thermal Camera, published Sep. 22, 2014 [online], [retrieved Jan. 5, 2020], Available from Internet, URL: <https://www.nightvisionguys.com/opgal-therm-app-thermal-camera-for-android-devices>.\*

*Primary Examiner* — T Chase Nelson

*Assistant Examiner* — Mary Claire Ramirez

(74) *Attorney, Agent, or Firm* — Studebaker & Brackett PC

(57) **CLAIM**

The ornamental design for a camera for mobile device, as shown and described.

**DESCRIPTION**

FIG. 1 is a perspective view of a camera for mobile device, showing our new design;

FIG. 2 is a front view thereof;

FIG. 3 is a rear view thereof;

FIG. 4 a left side view thereof;

FIG. 5 is a right side view thereof;

(Continued)

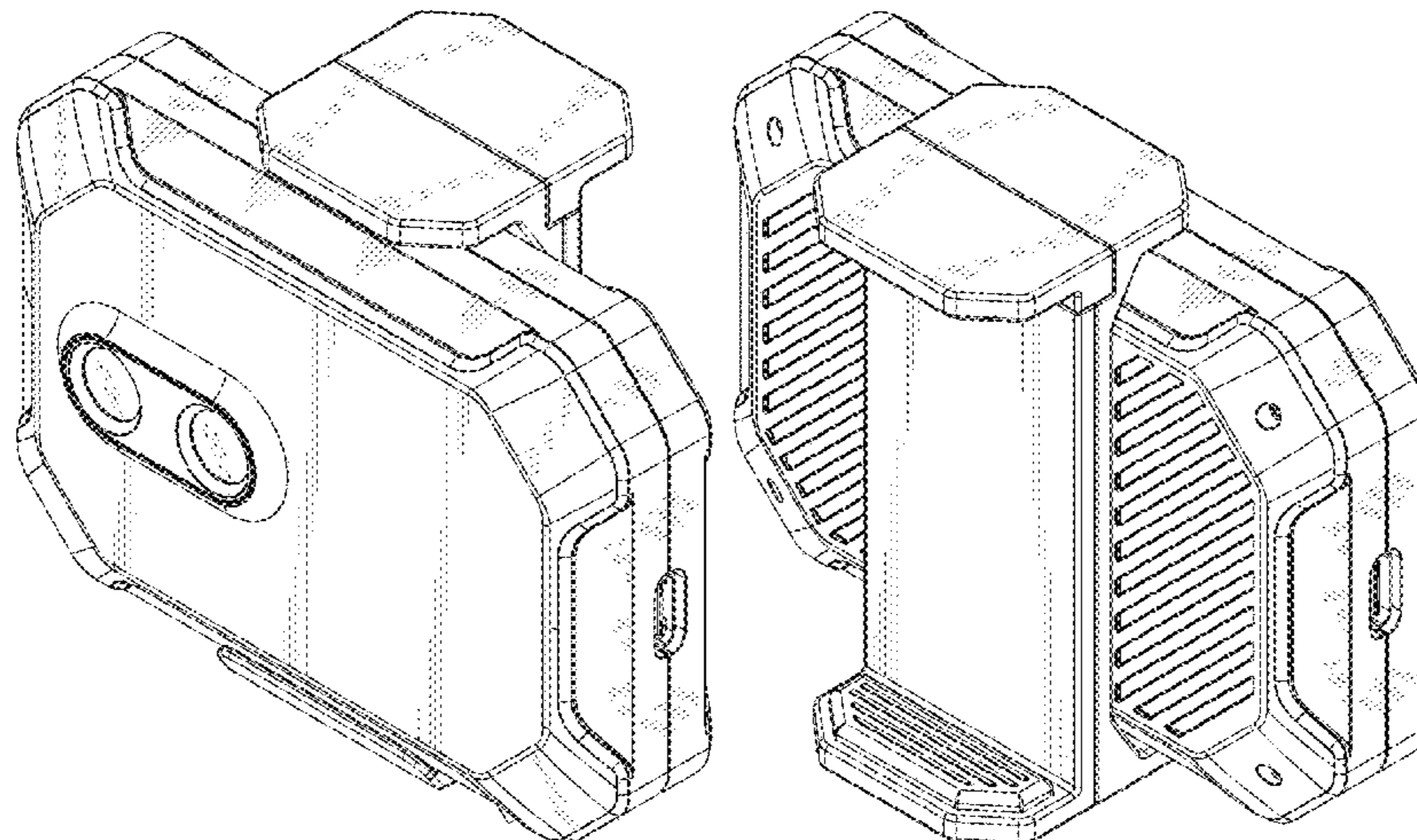


FIG. 6 is a top plan view thereof;  
 FIG. 7 is a bottom plan view thereof; and,  
 FIG. 8 is another perspective view thereof.

**1 Claim, 8 Drawing Sheets**

(56)

**References Cited**

U.S. PATENT DOCUMENTS

D743,472	S	*	11/2015	Tanifuji	.....	D16/203
D744,022	S	*	11/2015	Petty	.....	D16/202
D751,622	S	*	3/2016	Mao	.....	D16/218
D752,571	S	*	3/2016	Richter	.....	D14/253
D757,696	S	*	5/2016	Eski	.....	D14/240
D762,631	S	*	8/2016	Kim	.....	D14/250
D769,960	S	*	10/2016	Lee	.....	D16/242
D771,583	S	*	11/2016	Chan	.....	D14/188

9,491,338	B1	*	11/2016	Garcia	.....	H04N 5/2252
D779,458	S	*	2/2017	Morita	.....	D14/218
D783,580	S	*	4/2017	MacManus	.....	D14/240
D783,590	S	*	4/2017	Wu	.....	D14/252
D802,650	S	*	11/2017	Hoshi	.....	D16/237
D805,932	S	*	12/2017	Koeniger	.....	D10/78
D814,450	S	*	4/2018	Kumazawa	.....	D14/240
D823,846	S	*	7/2018	Chen	.....	D14/251
D826,308	S	*	8/2018	Tremblay	.....	D16/219
D839,867	S	*	2/2019	Zhao	.....	D14/253
D840,459	S	*	2/2019	Petty	.....	D16/202
D849,569	S	*	5/2019	Abdala	.....	D10/50
D865,749	S	*	11/2019	Fraiser	.....	D14/253
2012/0267406	A1	*	10/2012	Fan	.....	B60R 11/02 224/482
2015/0002085	A1	*	1/2015	Fan	.....	H02J 7/0044 320/108
2016/0314374	A1	*	10/2016	Braumandl	.....	G07D 7/121
2016/0327473	A1	*	11/2016	Ozcan	.....	G01N 33/1813

\* cited by examiner

FIG. 1

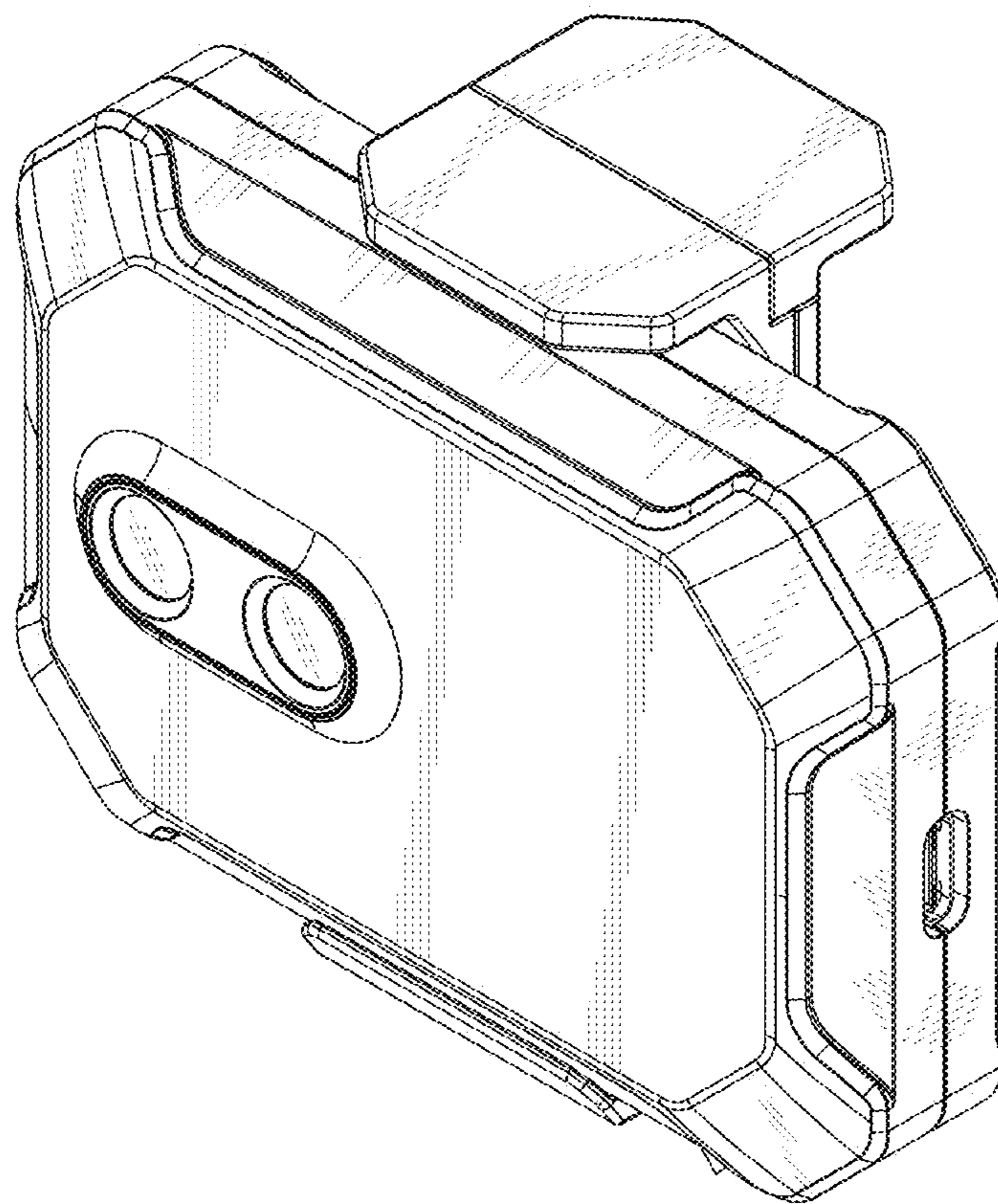


FIG. 2

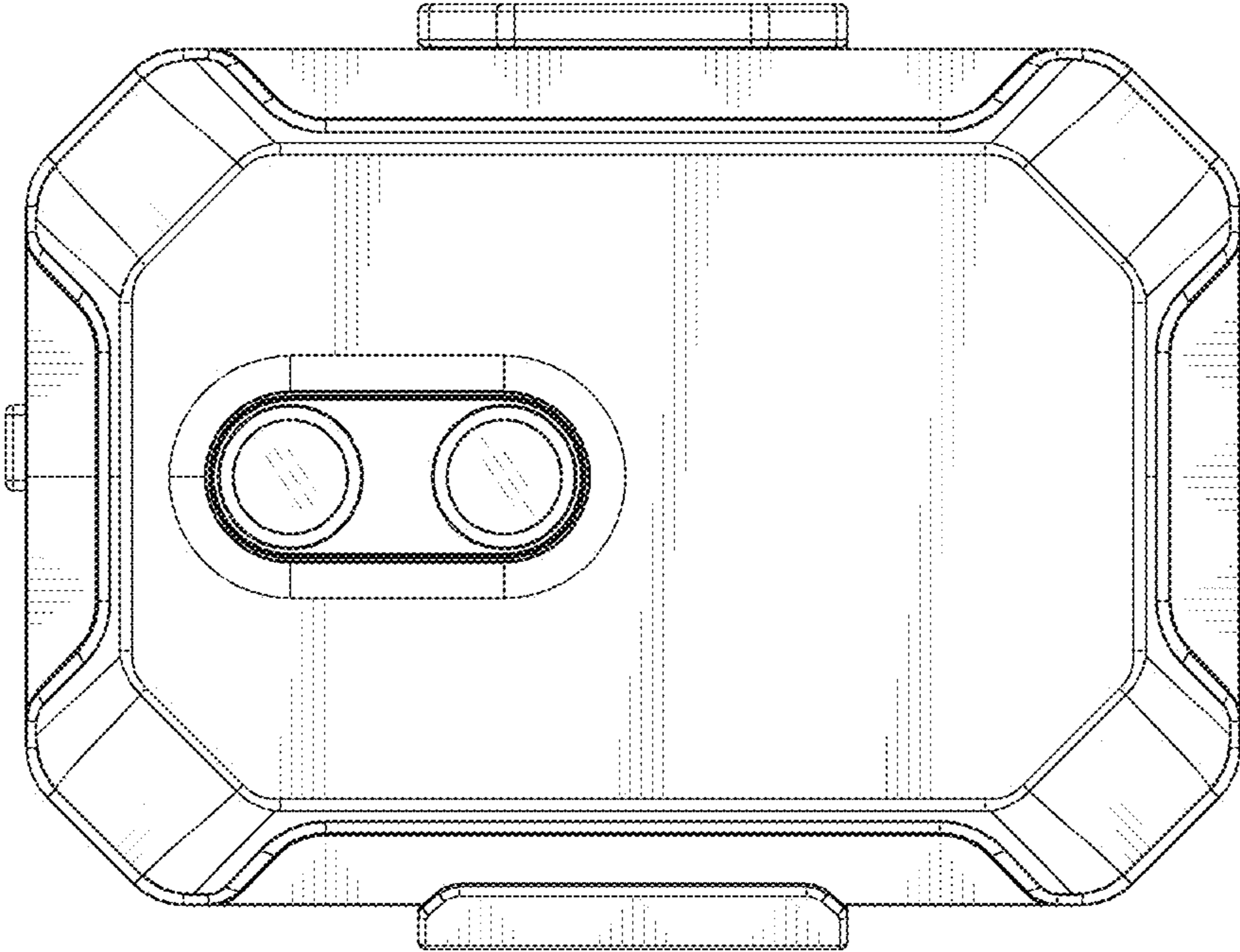


FIG. 3

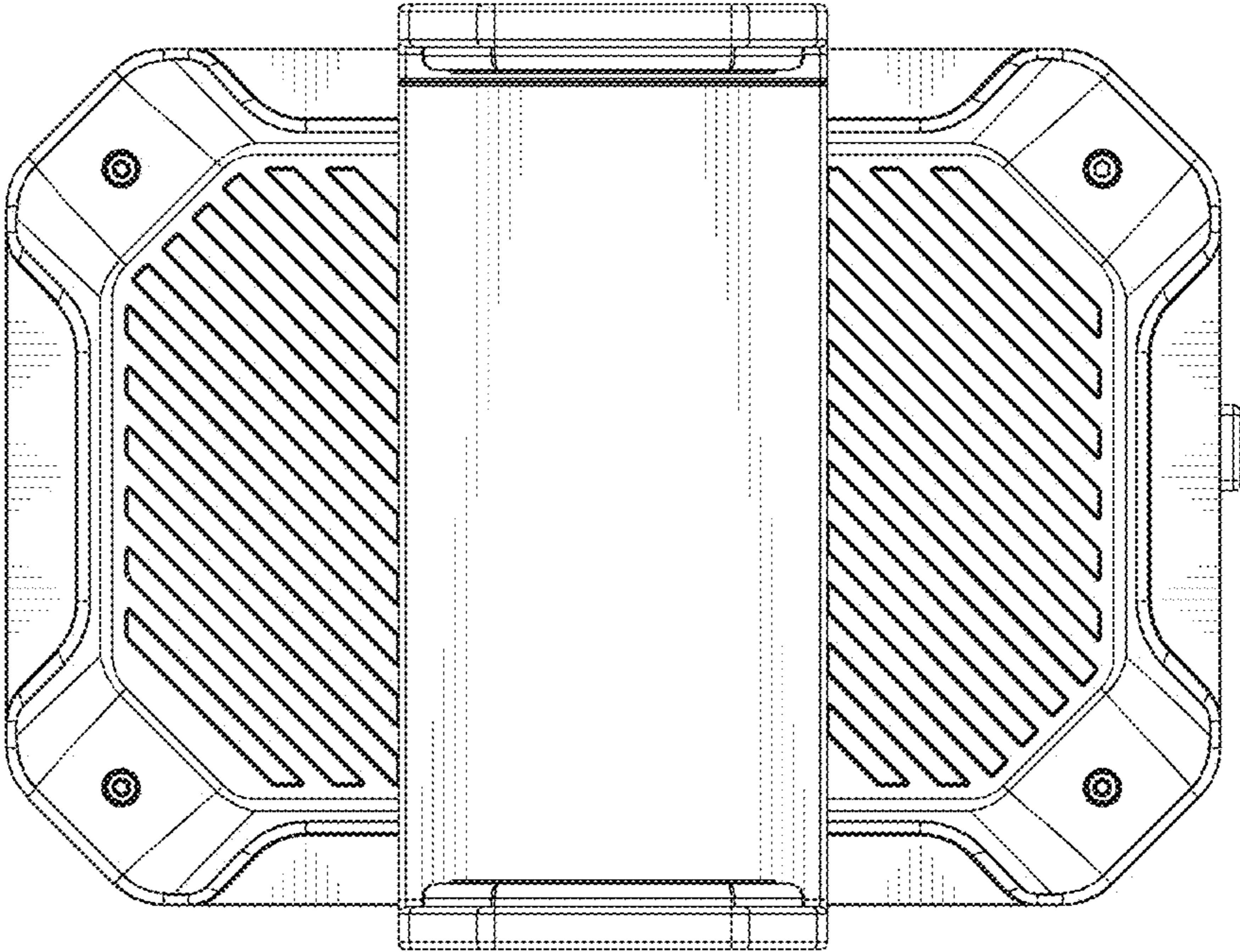


FIG. 4

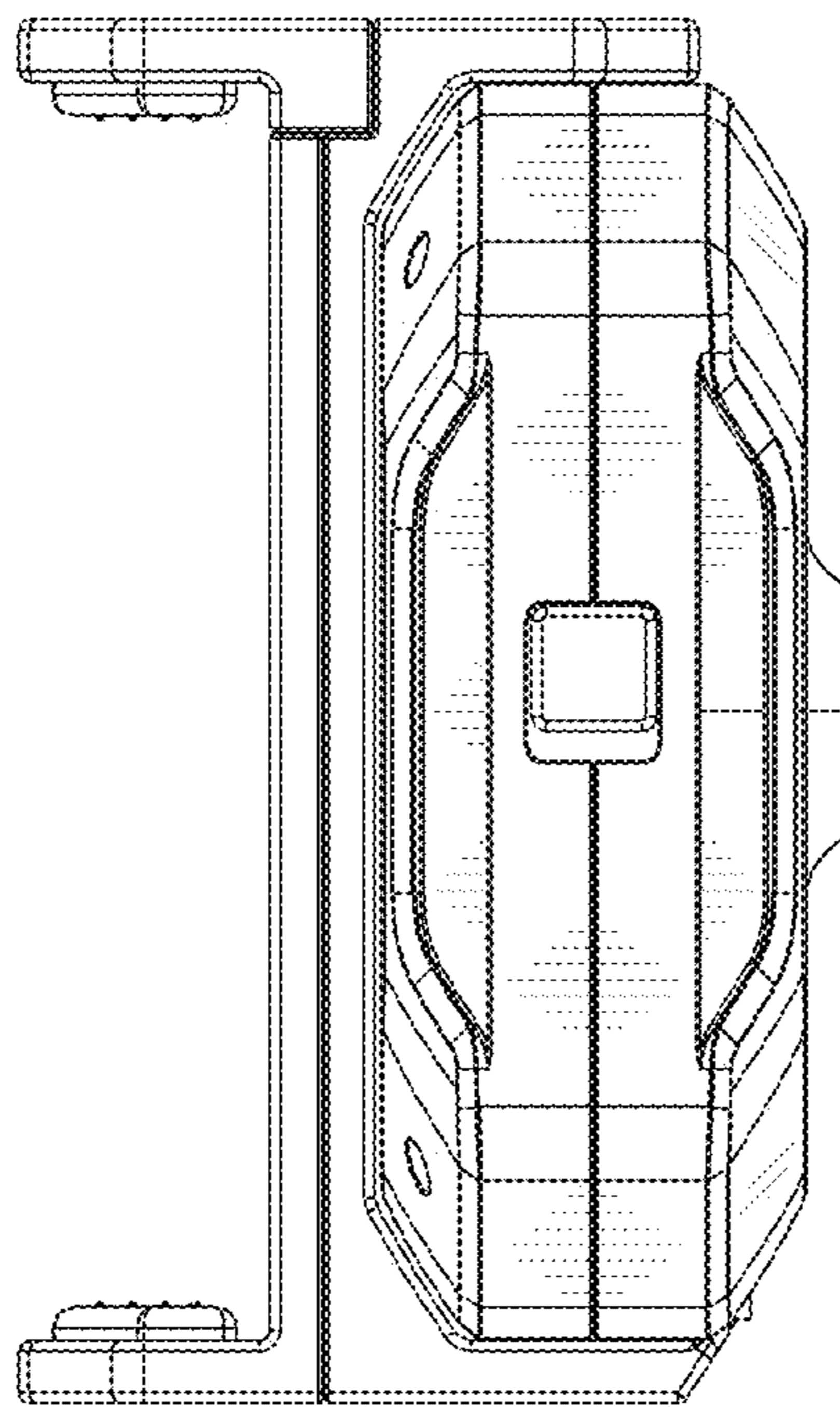


FIG. 5

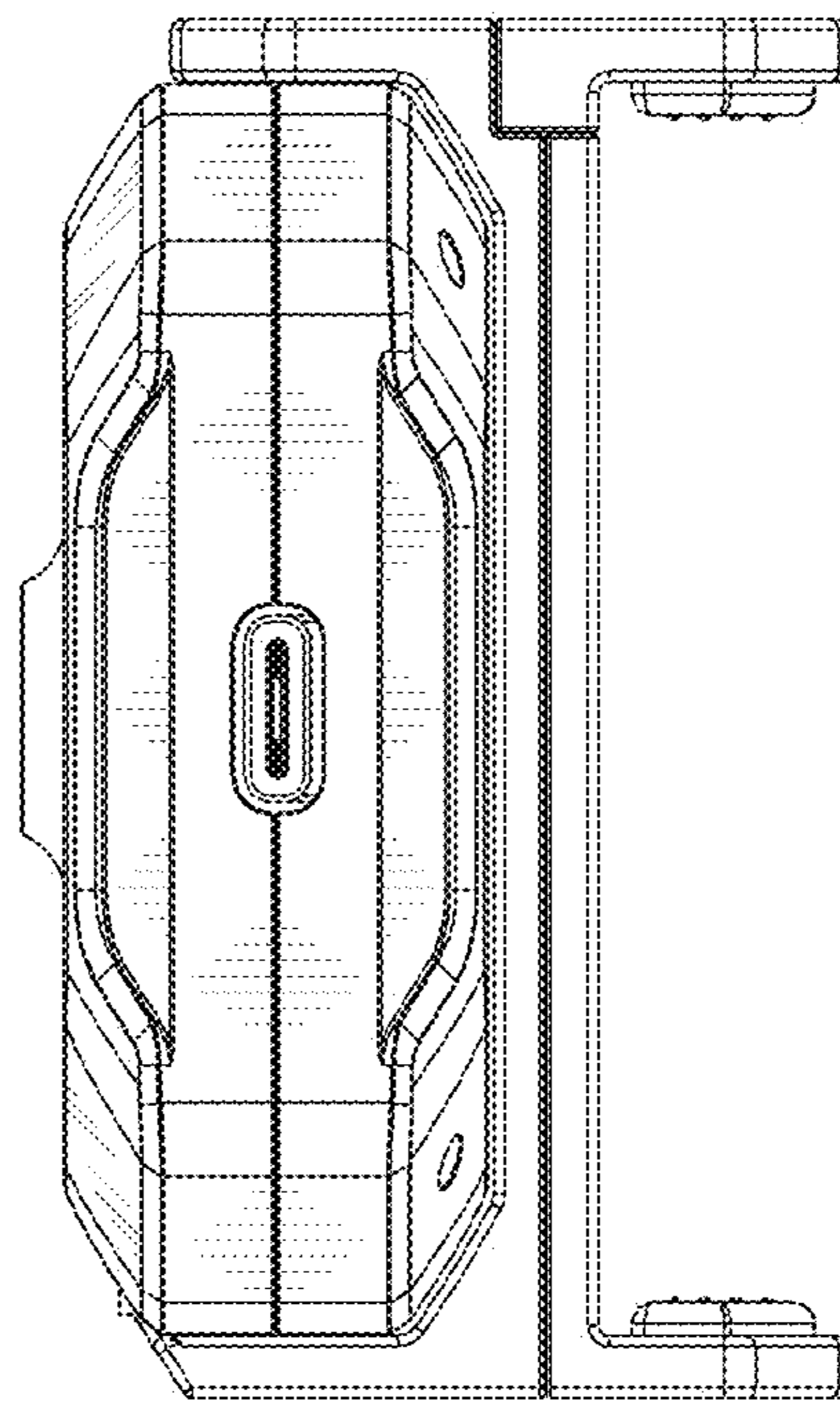


FIG. 6

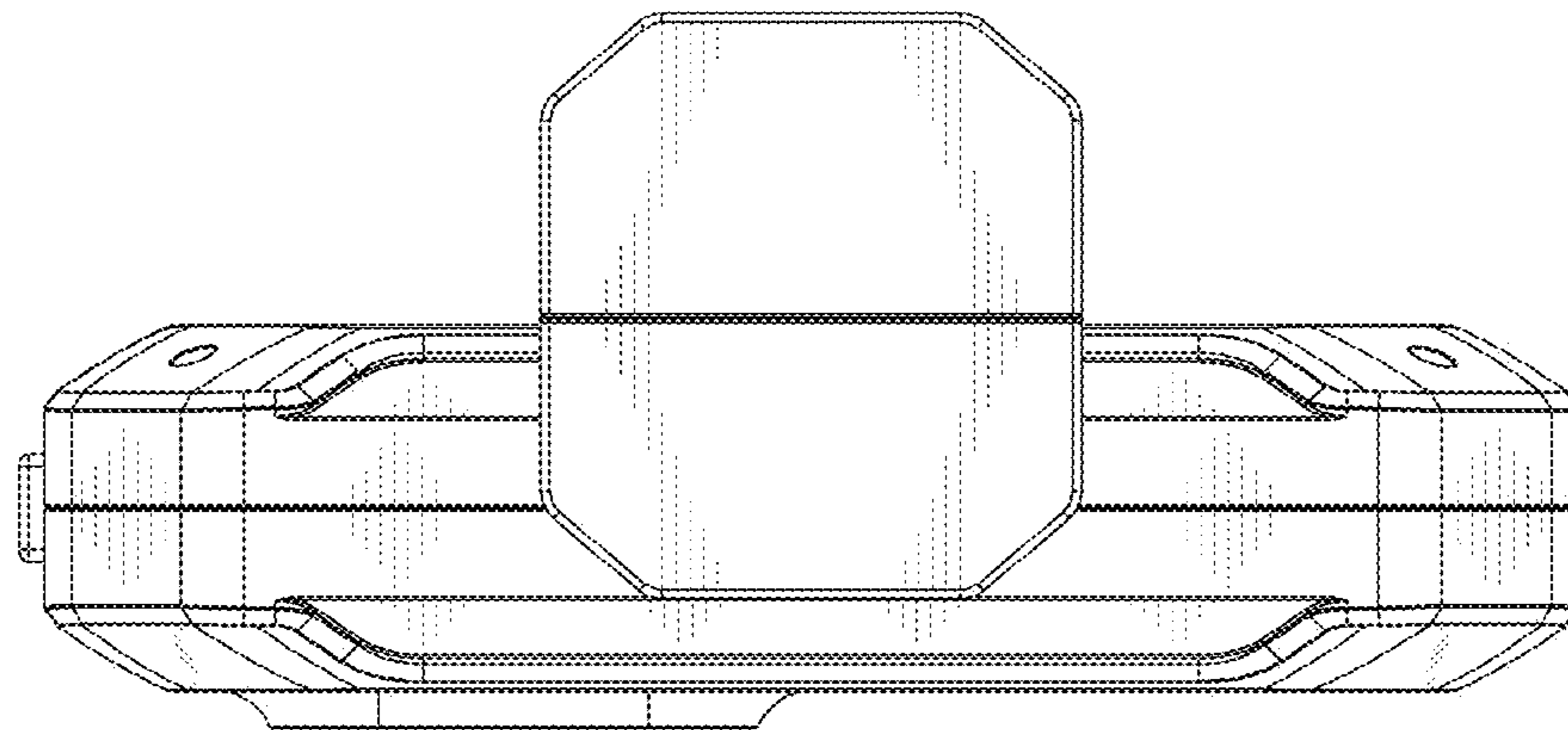




FIG. 7

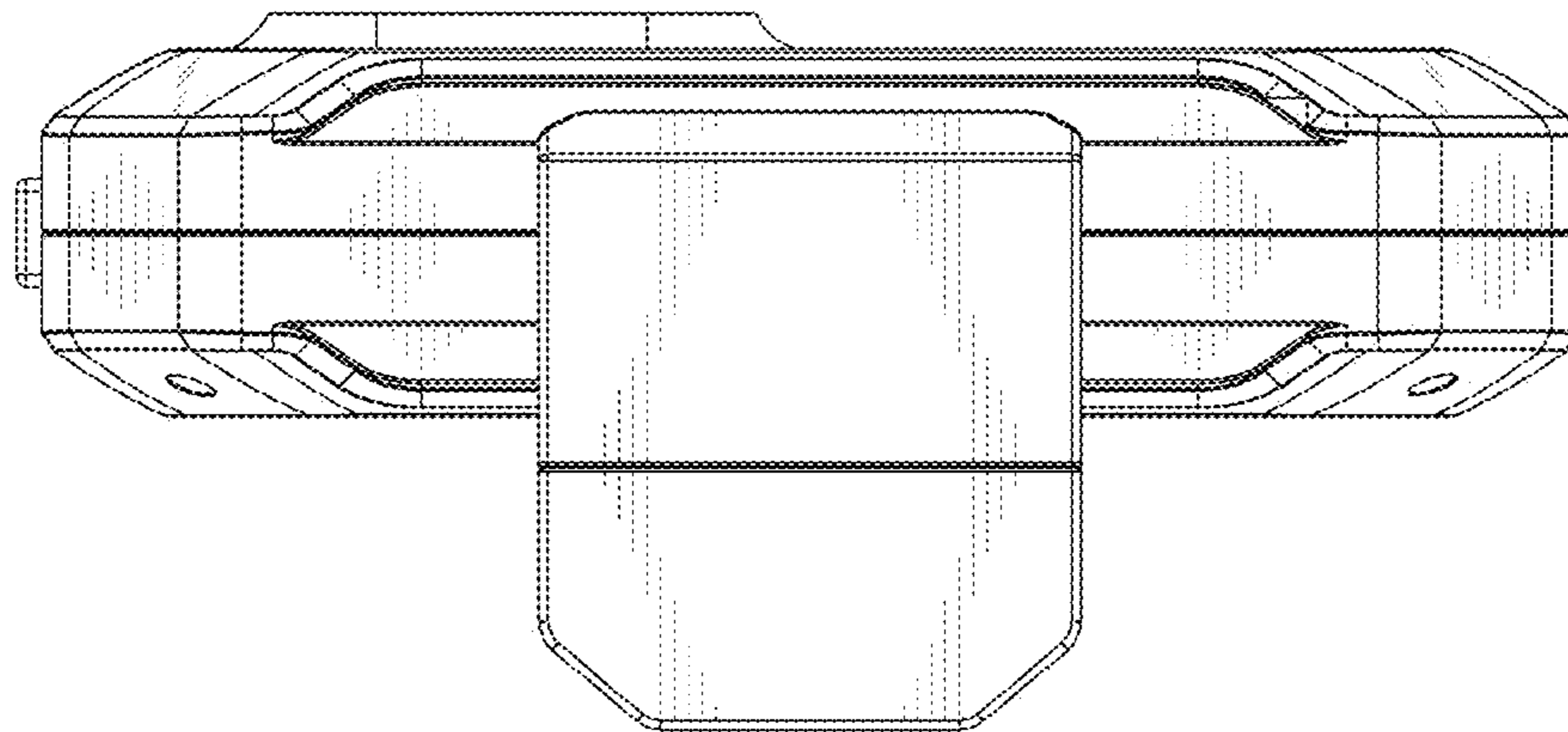


FIG. 8

