



US00D884054S

(12) **United States Design Patent**
Mihara

(10) **Patent No.:** **US D884,054 S**

(45) **Date of Patent:** **** May 12, 2020**

(54) **DRIVING RECORDER**

(71) Applicant: **JVC KENWOOD Corporation**,
Yokohama-shi, Kanagawa (JP)

(72) Inventor: **Masaya Mihara**, Yokohama (JP)

(73) Assignee: **JVC KENWOOD CORPORATION**,
Yokohama-shi (JP)

(**) Term: **15 Years**

(21) Appl. No.: **29/615,456**

(22) Filed: **Aug. 29, 2017**

(30) **Foreign Application Priority Data**

Mar. 27, 2017 (JP) D2017-006176

(51) **LOC (12) Cl.** **16-01**

(52) **U.S. Cl.**
USPC **D16/208; D16/218**

(58) **Field of Classification Search**
USPC D16/200, 202–206, 208–209, 212, 218,
D16/219; 348/373–376; 396/448, 535,
396/539–541

CPC G03B 15/03; G03B 17/02; G03B 17/04;
G03B 17/56; G03B 19/04; H04N 5/2251;
H04N 5/2252; H04N 5/2253; H04N
5/2254; H04N 2101/00

See application file for complete search history.

(56) **References Cited**

U.S. PATENT DOCUMENTS

7,646,426 B2 * 1/2010 Saiki G06F 1/1626
348/373
D668,281 S * 10/2012 Nakamura D16/202

D683,781 S * 6/2013 Imai D16/202
D684,204 S * 6/2013 Uemachi D16/200
D689,535 S * 9/2013 Nojima D16/202
D695,329 S * 12/2013 Fujita D16/202
D695,805 S * 12/2013 Sakai D16/202
D702,748 S * 4/2014 Muraki D16/202
D707,742 S * 6/2014 Imamizu D16/202
D717,353 S * 11/2014 Kobayashi D16/202
2002/0041765 A1 * 4/2002 Onda G03B 17/02
396/538
2011/0181771 A1 * 7/2011 Hazama G03B 15/05
348/371

* cited by examiner

Primary Examiner — Ramzi S Almatrahi

(74) *Attorney, Agent, or Firm* — Cantor Colburn LLP

(57) **CLAIM**

The ornamental design for a driving recorder, as shown and described.

DESCRIPTION

FIG. 1 is a front perspective view of a driving recorder.

FIG. 2 is a rear perspective view thereof;

FIG. 3 is a front view thereof;

FIG. 4 is a rear view thereof;

FIG. 5 is a top plan view thereof;

FIG. 6 is a bottom plan view thereof;

FIG. 7 is a right side view thereof; and,

FIG. 8 is a left side view thereof.

The broken lines depict portions of the driving recorder in which the design is embodied that form no part of the claimed design.

1 Claim, 8 Drawing Sheets

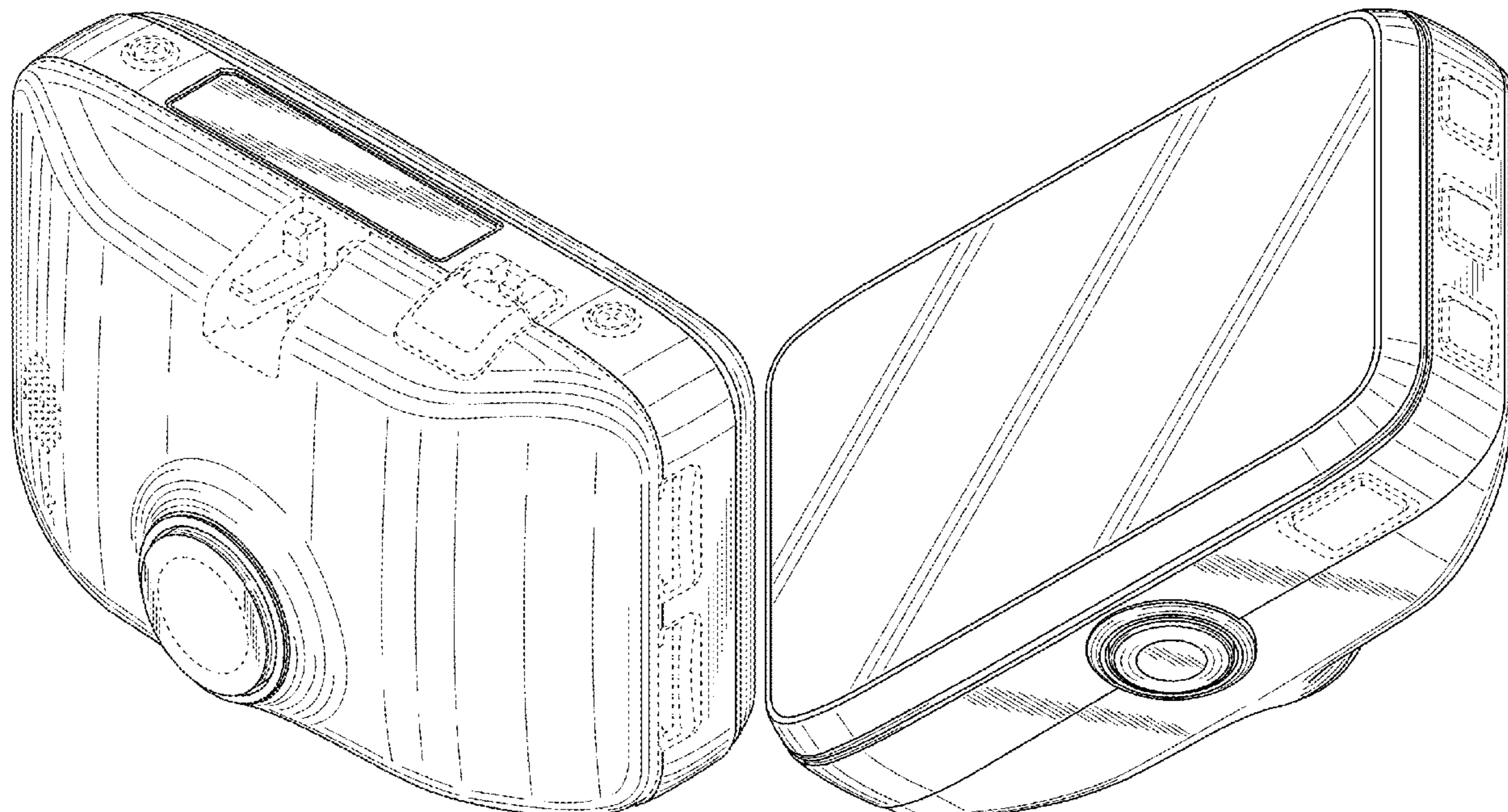


FIG. 1

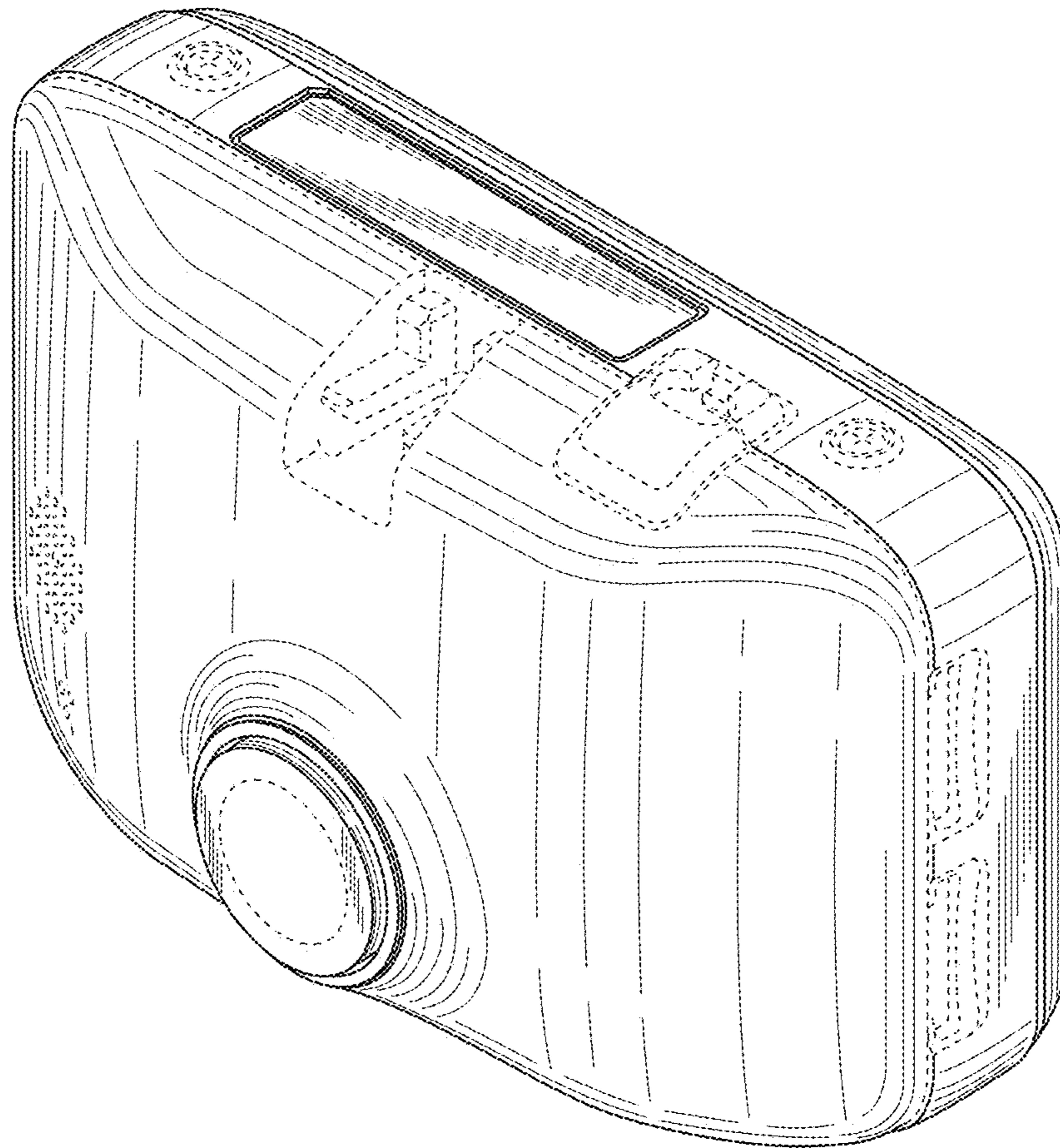


FIG. 2

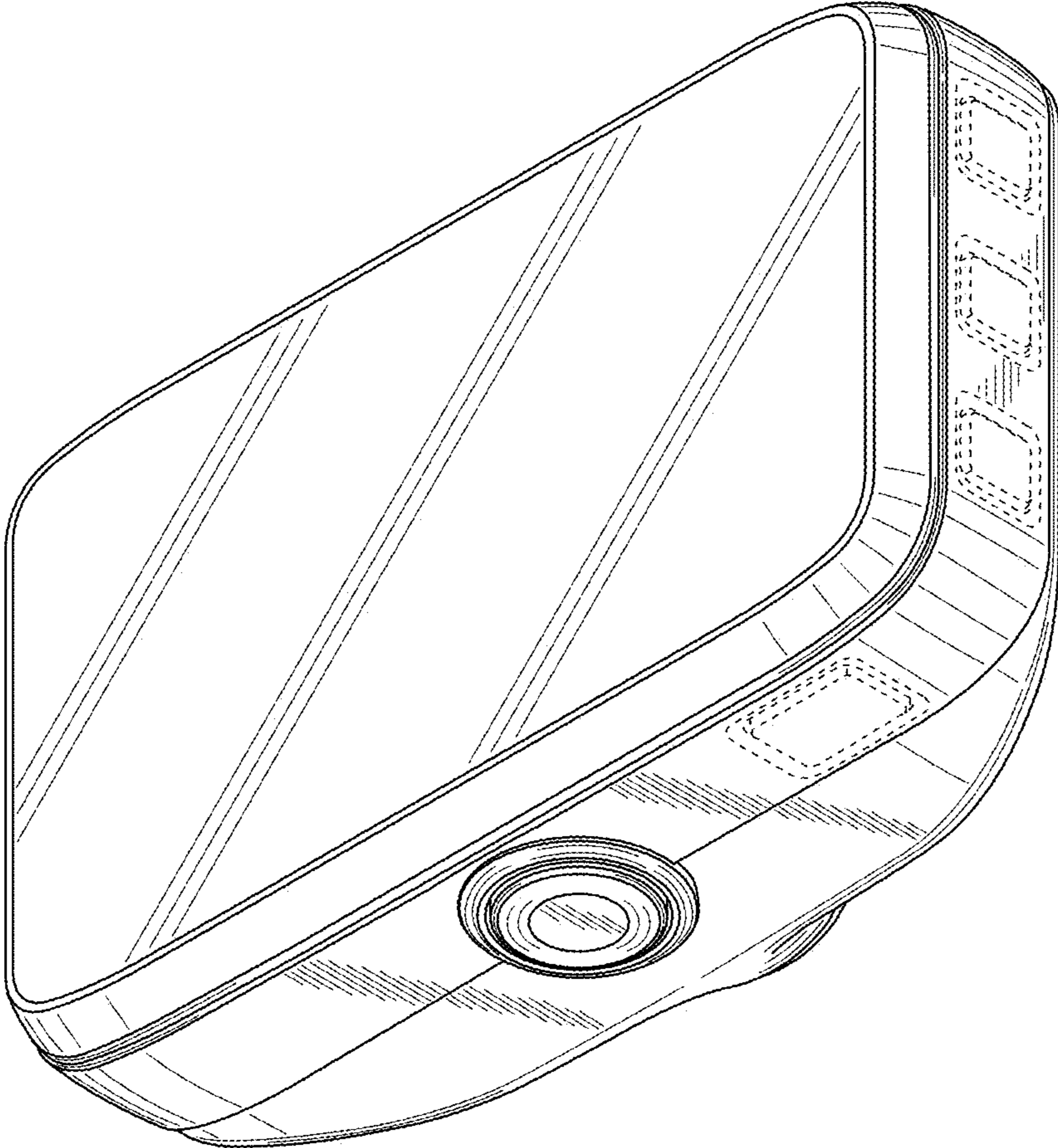


FIG. 3

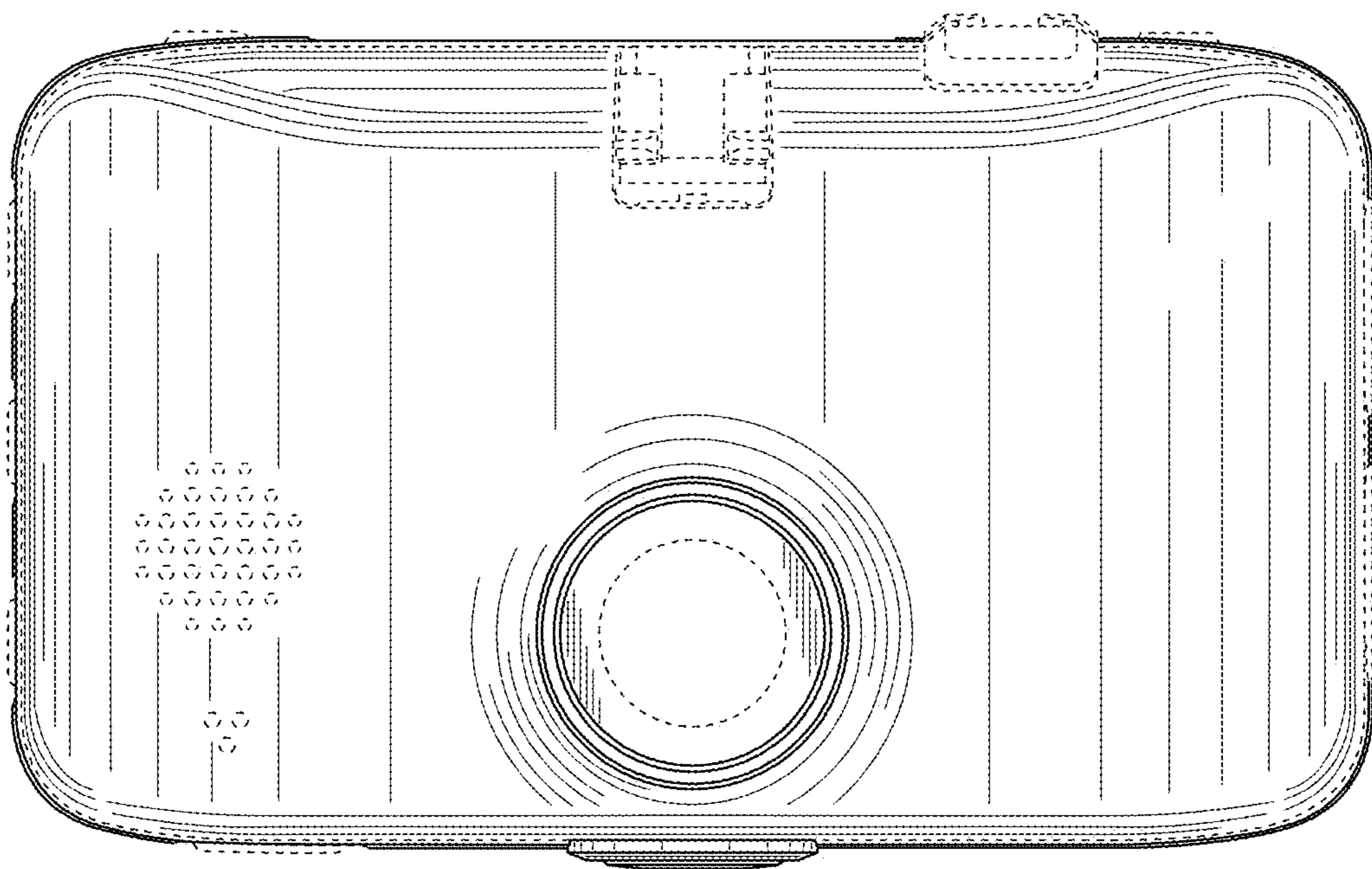


FIG. 4

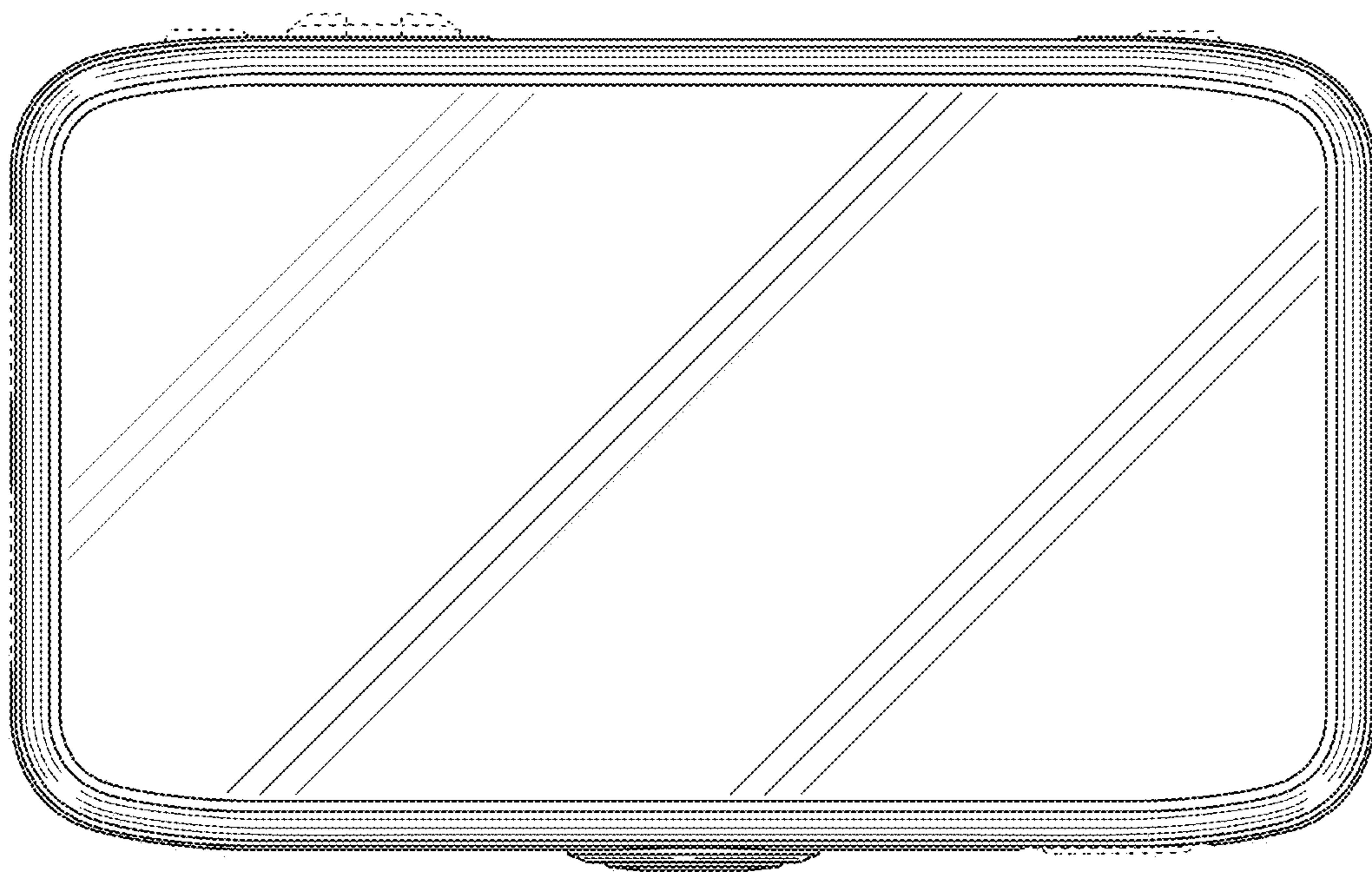


FIG. 5

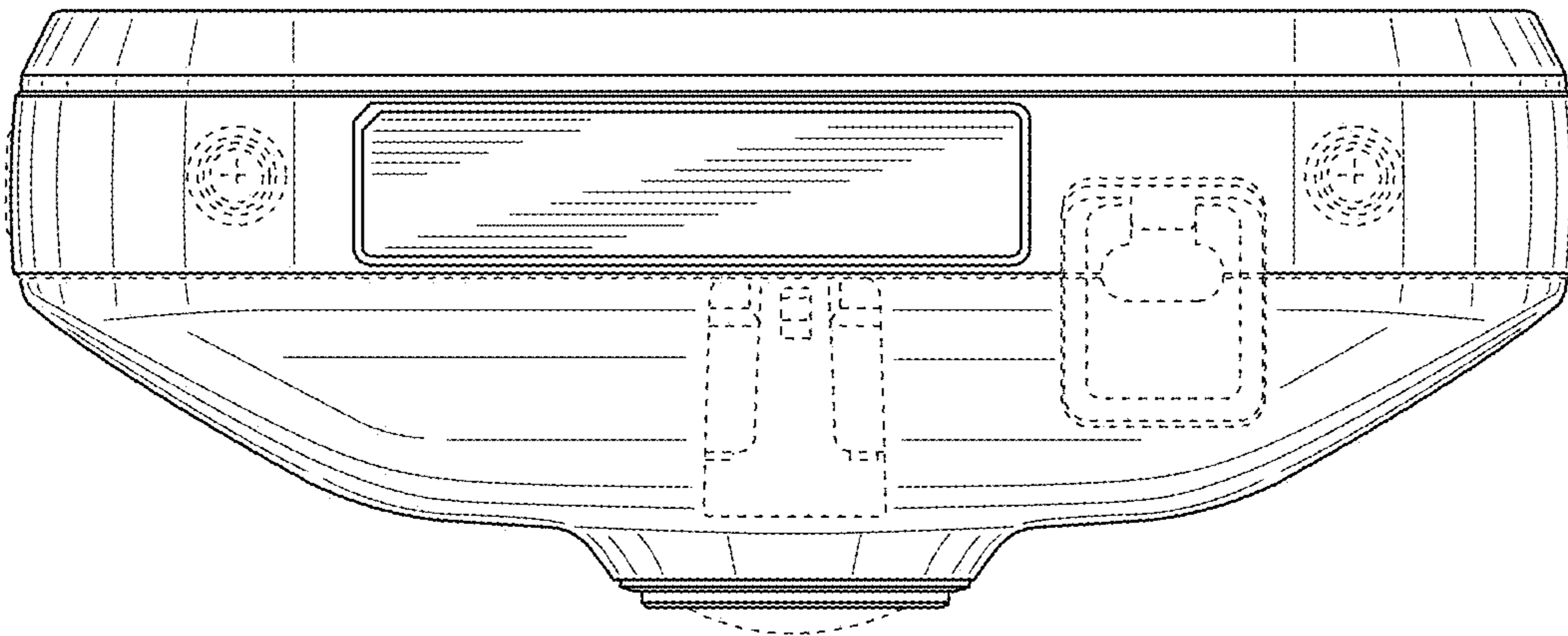


FIG. 6

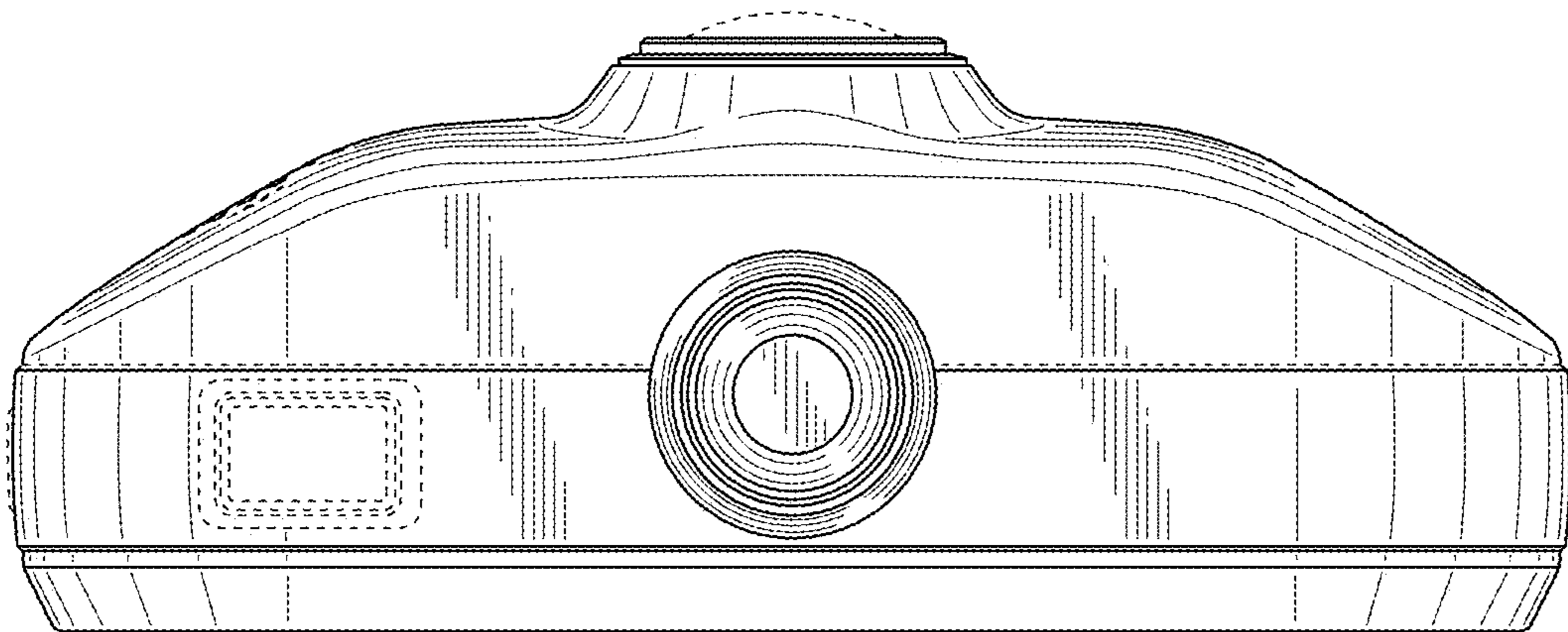


FIG. 7

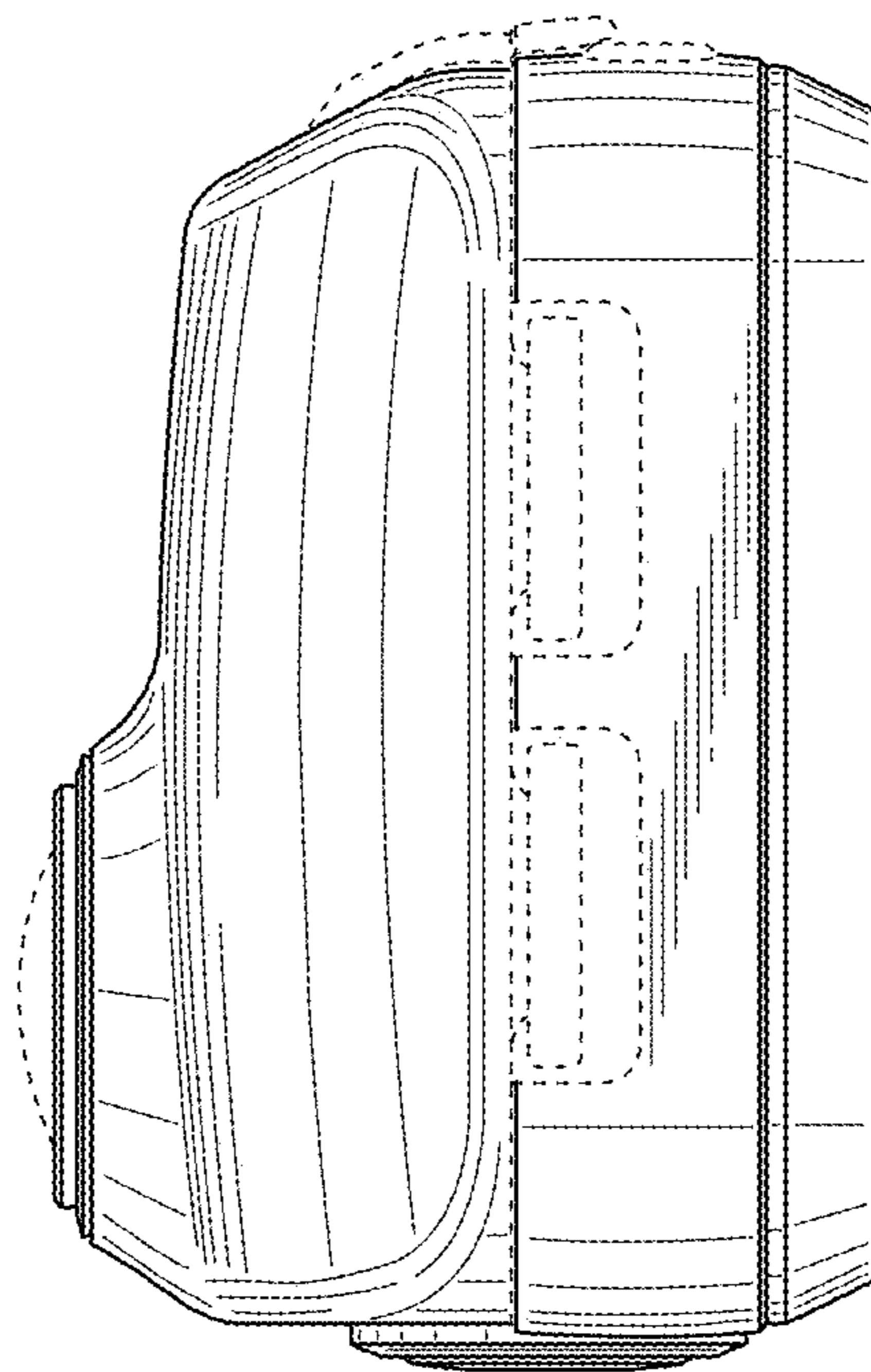


FIG. 8

