



US00D884052S

(12) **United States Design Patent**
Tang

(10) **Patent No.:** **US D884,052 S**

(45) **Date of Patent:** **** May 12, 2020**

(54) **INTELLIGENT SURVEILLANCE CAMERA**

(71) Applicant: **Shenzhen Aijia Iot Technology Co., Ltd.**, Shenzhen, Guangdong Province (CN)

(72) Inventor: **Yong Tang**, Shenzhen (CN)

(**) Term: **15 Years**

(21) Appl. No.: **29/673,072**

(22) Filed: **Dec. 11, 2018**

(51) **LOC (12) Cl.** **16-01**

(52) **U.S. Cl.**
USPC **D16/203**

(58) **Field of Classification Search**

USPC D3/210, 215, 207-209; D8/356, 357; D10/31, 104.1, 50, 65, 74, 70, 118.2, 66; D16/200-220, 131, 132, 237, 242, 239, D16/250, 235, 130, 134, 136, 238; D14/417, 138 C, 240, 248, 203.1, 203.3, D14/203.7, 218, 207, 440, 402, 454, 407, D14/408, 480.3, 480.1, 483; D24/138
CPC . G02B 7/02; G02B 7/021; G02B 7/04; G02B 7/14; G02B 7/003; G02B 7/008; G02B 13/06; G03B 17/00; G03B 17/02; G03B 17/56; G03B 17/04; G03B 17/14; G03B 17/08; G03B 15/03; G03B 15/06; H04N 1/00981; H04N 5/2251; H04N 5/2252; H04N 5/2253; H04N 5/2254; H04N 5/23238; H04N 7/00; H04N 13/239; H04N 2101/00; F16M 13/00

See application file for complete search history.

(56) **References Cited**

U.S. PATENT DOCUMENTS

D637,173 S * 5/2011 Elkerbout D14/159
D719,202 S * 12/2014 Lee D16/202
D730,421 S * 5/2015 Huang D16/202

D731,579 S * 6/2015 Bart D16/203
D740,871 S * 10/2015 Moon D16/203
D741,931 S * 10/2015 Huang D16/202
D741,932 S * 10/2015 Huang D16/202
D745,587 S * 12/2015 Leung D16/203
D754,233 S * 4/2016 Du D16/211
D767,518 S * 9/2016 Kim D14/130
D769,875 S * 10/2016 Volta D14/420
D785,067 S * 4/2017 Ramones D16/203
D785,693 S * 5/2017 Kim D16/202
D798,360 S * 9/2017 Jeong D16/203

(Continued)

FOREIGN PATENT DOCUMENTS

CN 303618079 * 3/2016
CN 303640997 * 4/2016

(Continued)

Primary Examiner — T Chase Nelson

Assistant Examiner — Mary Claire Ramirez

(74) *Attorney, Agent, or Firm* — Novoclaims Patent Services LLC; Mei Lin Wong

(57) **CLAIM**

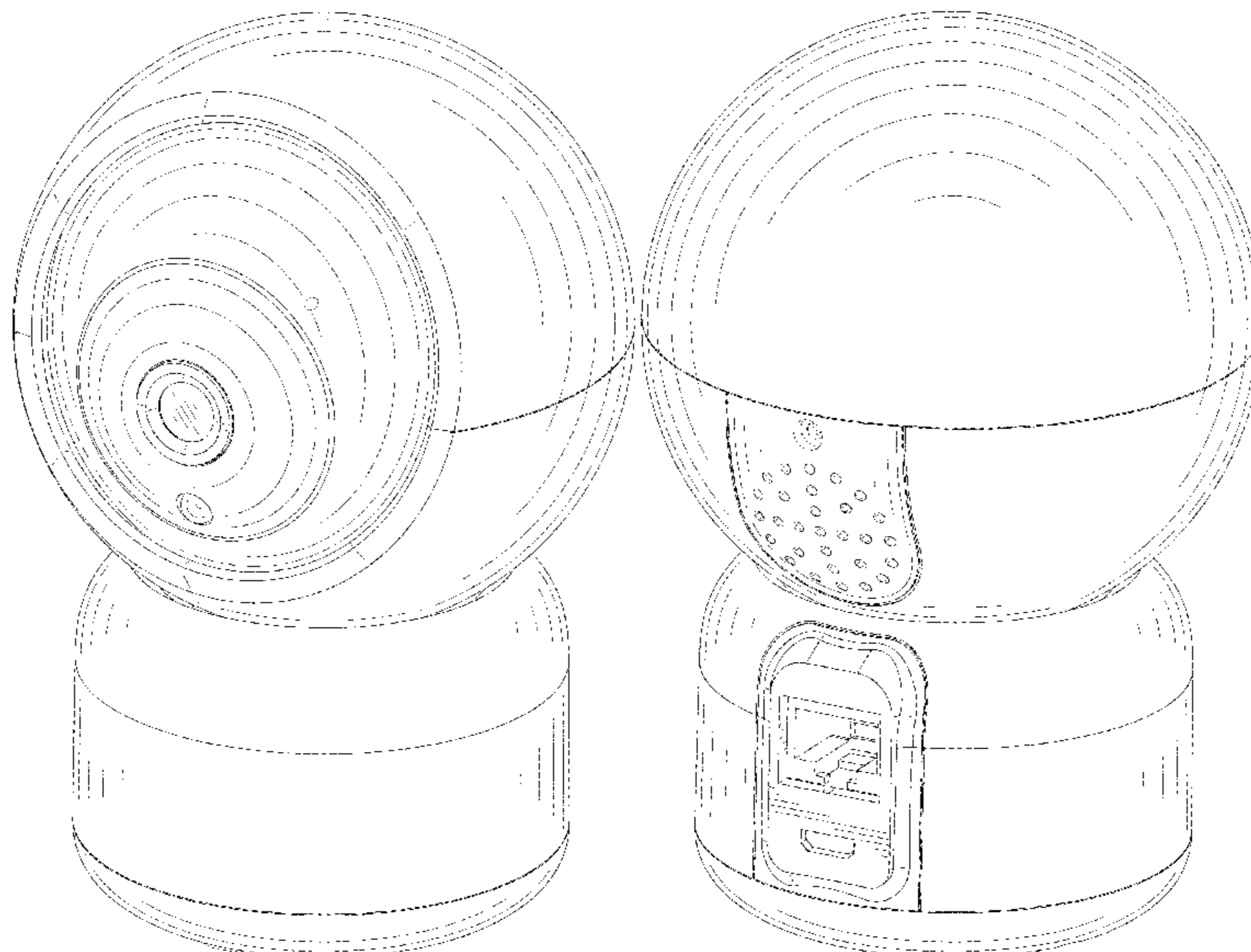
The ornamental design for an intelligent surveillance camera, as shown and described.

DESCRIPTION

FIG. 1 is a front perspective view of an intelligent surveillance camera showing my new design;
FIG. 2 is a rear perspective view thereof;
FIG. 3 is a rear bottom perspective view thereof;
FIG. 4 is a front view thereof;
FIG. 5 is a rear view thereof;
FIG. 6 is a left side view thereof;
FIG. 7 is a right side view thereof;
FIG. 8 is a top view thereof; and,
FIG. 9 is a bottom view thereof.

The broken lines depict portions of the intelligent surveillance camera that form no part of the claimed design.

1 Claim, 9 Drawing Sheets



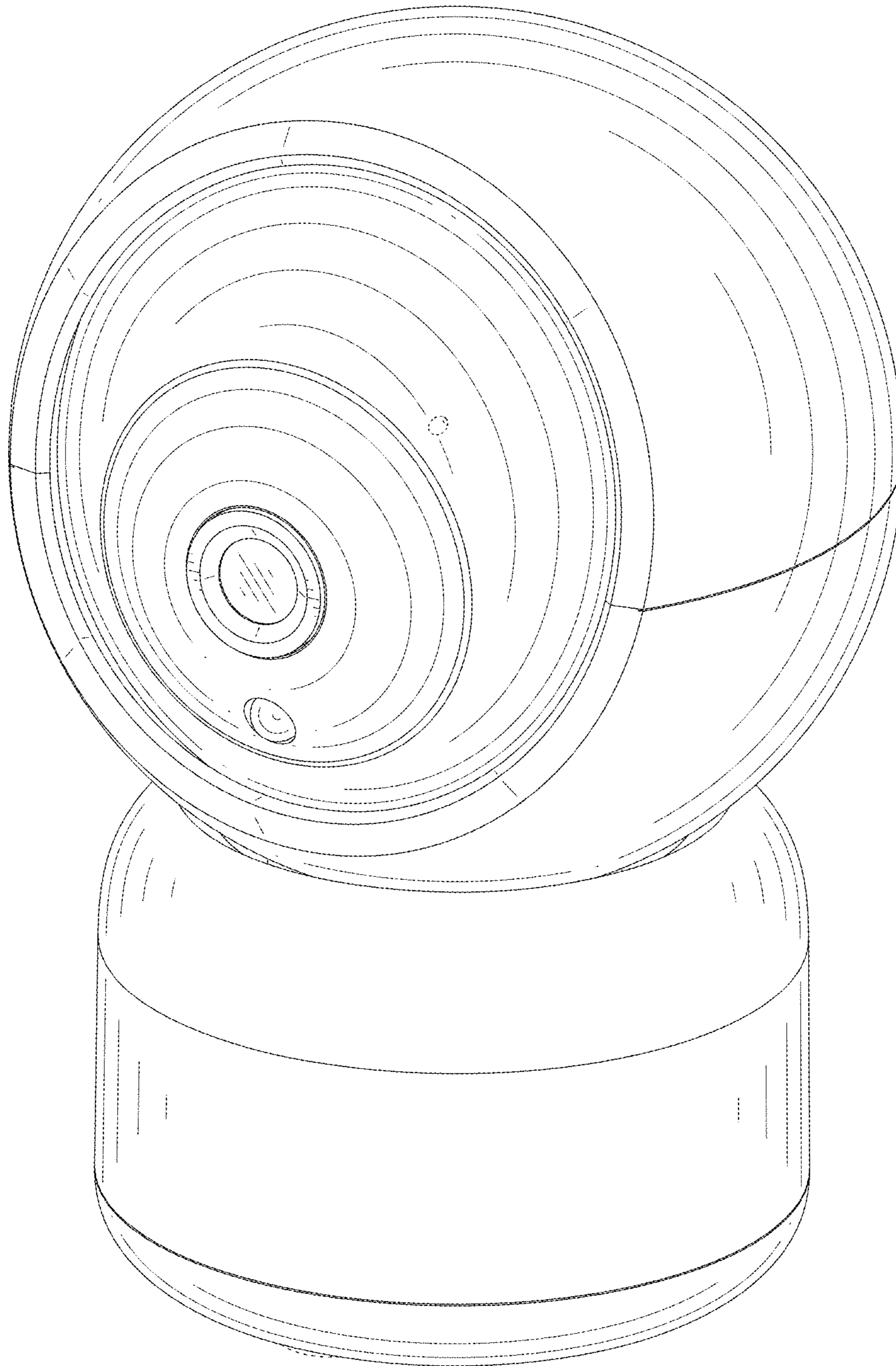


FIG. 1

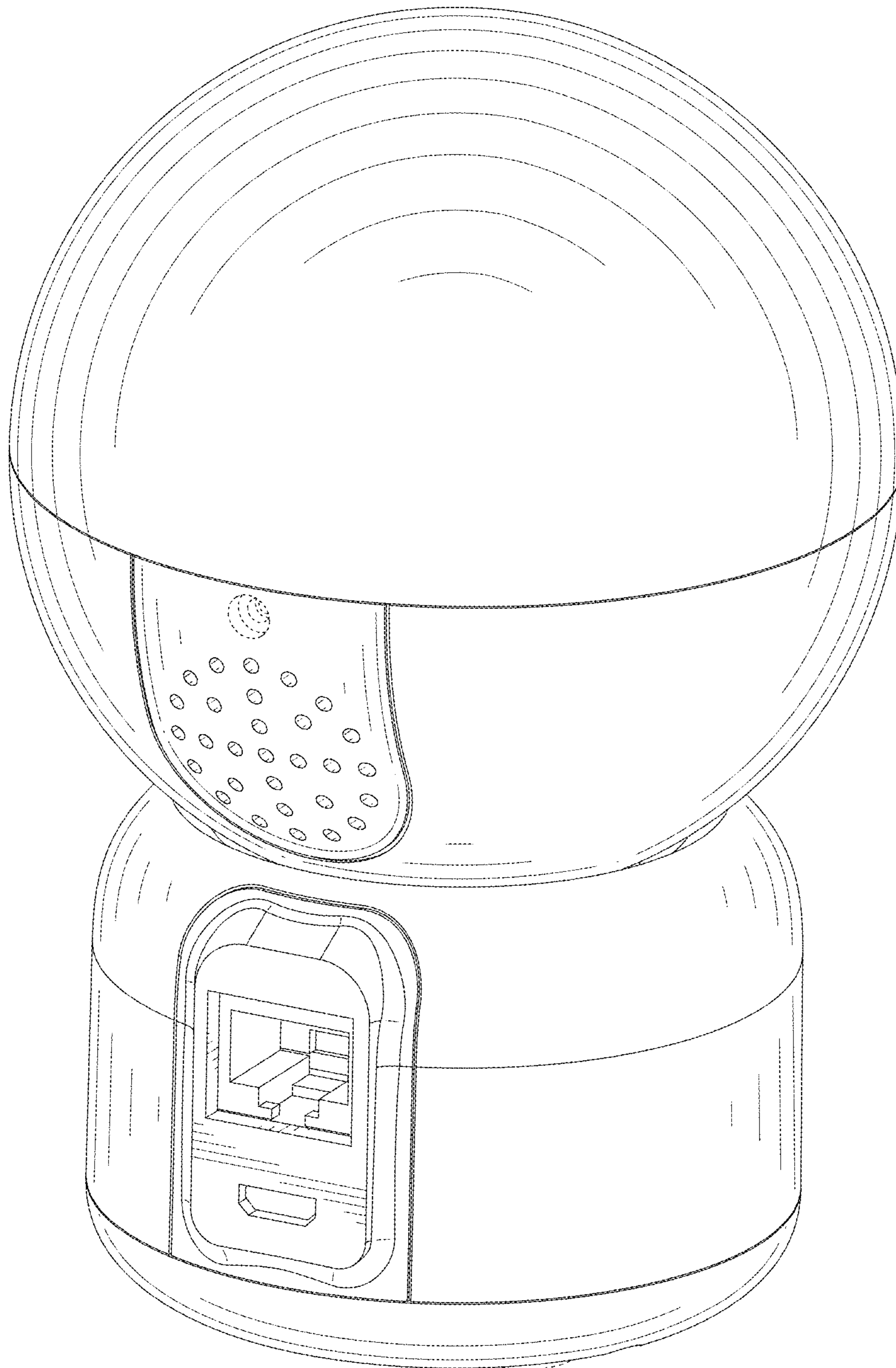


FIG.2

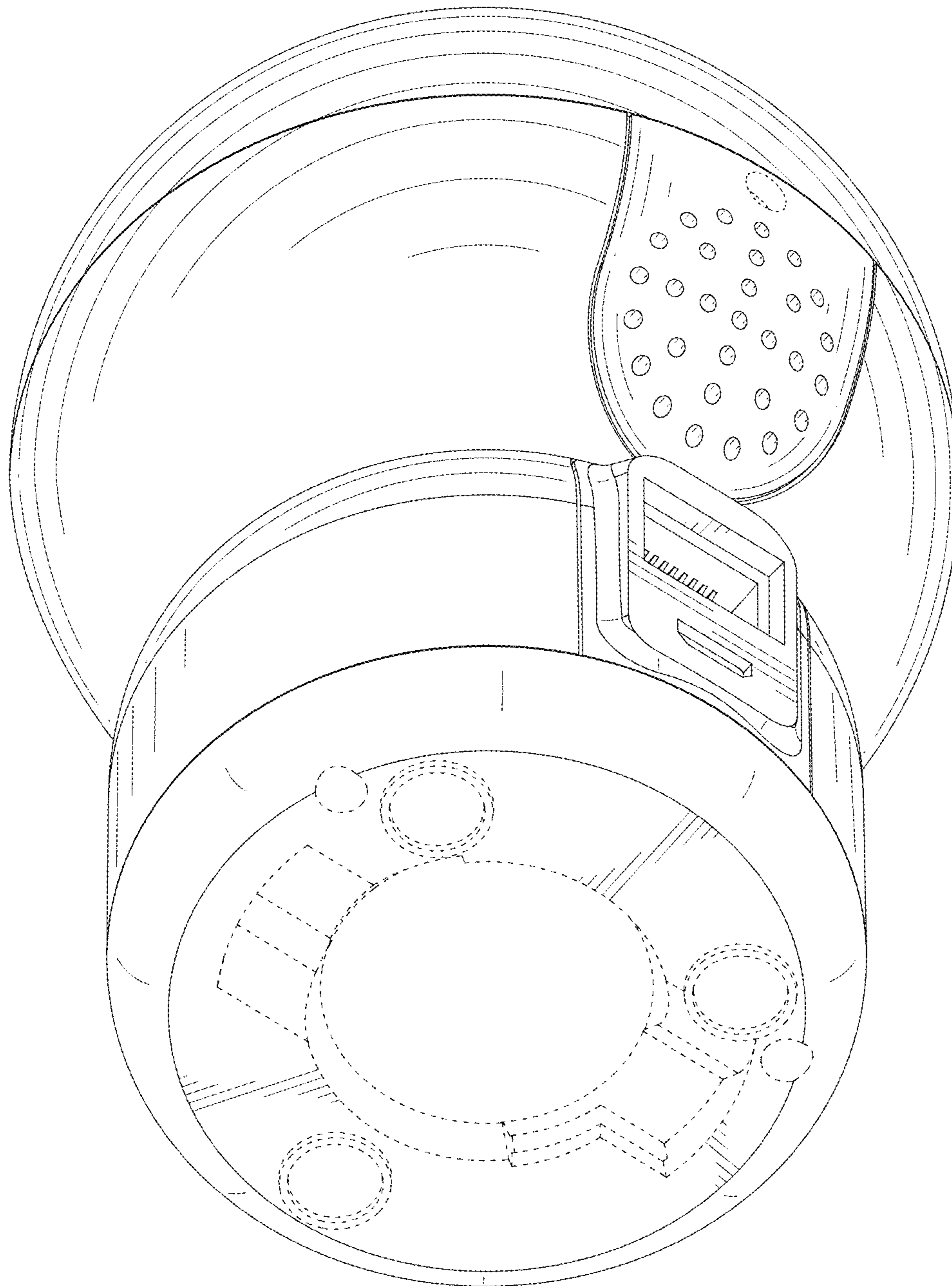


FIG.3

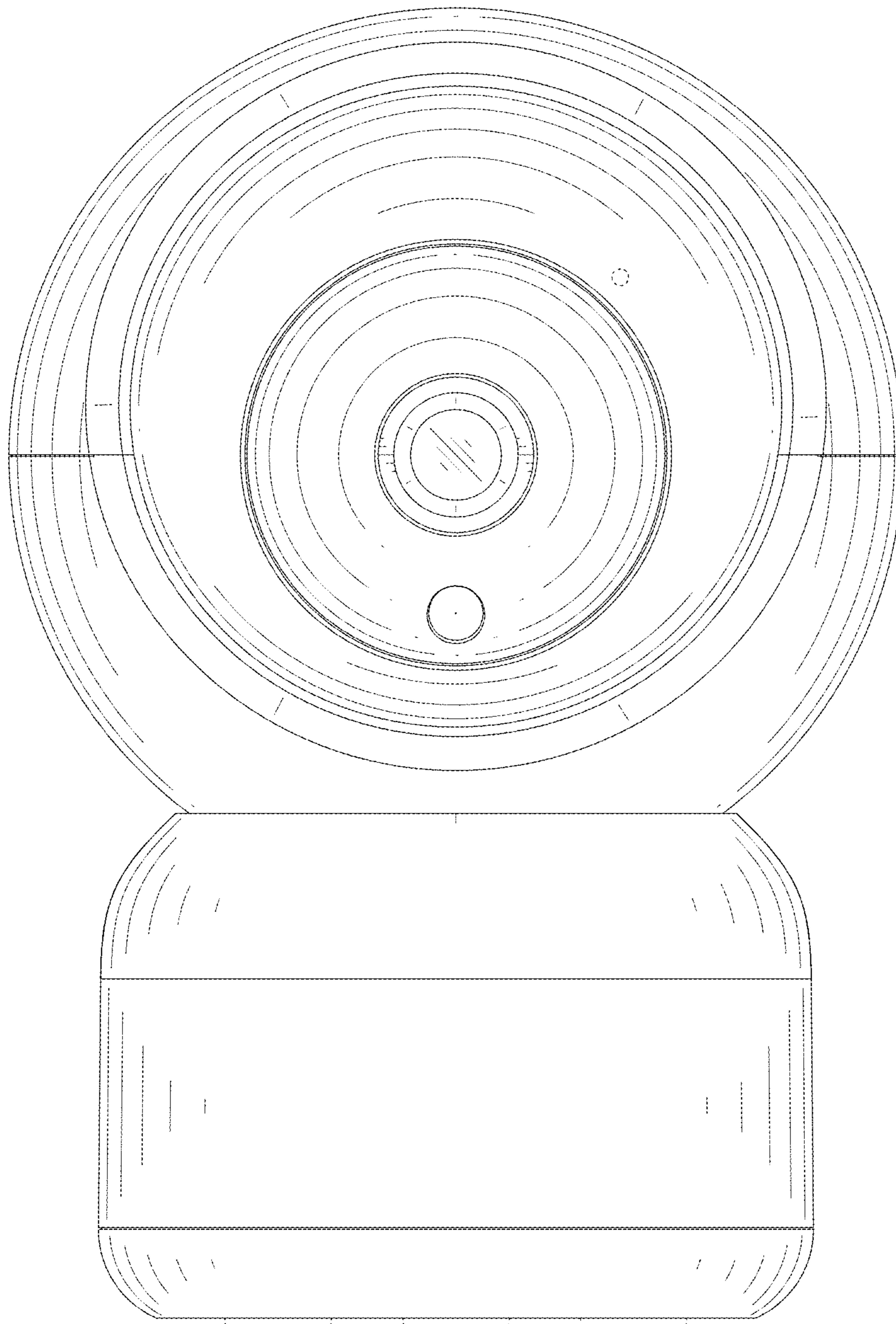


FIG.4

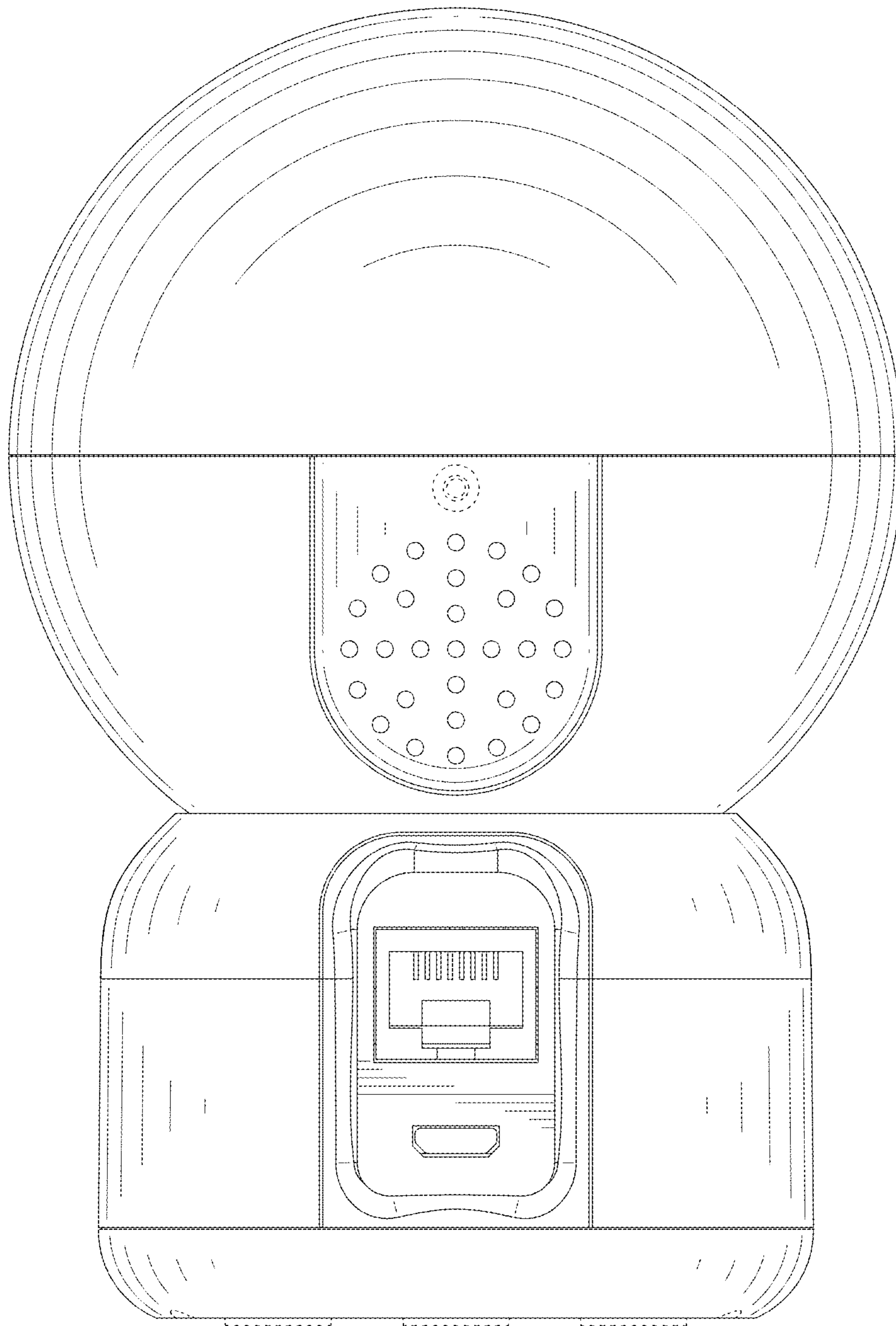


FIG.5

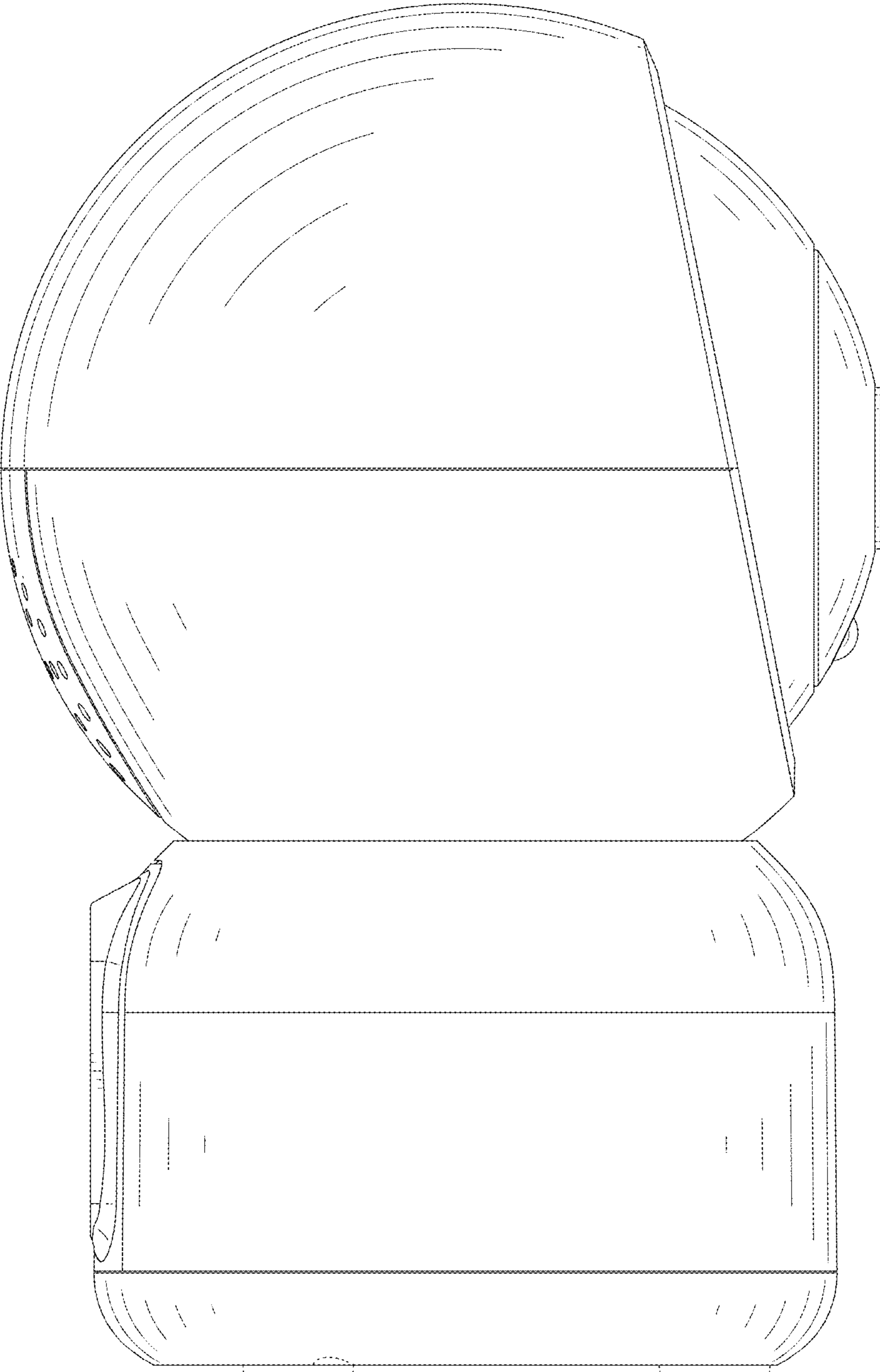


FIG.6

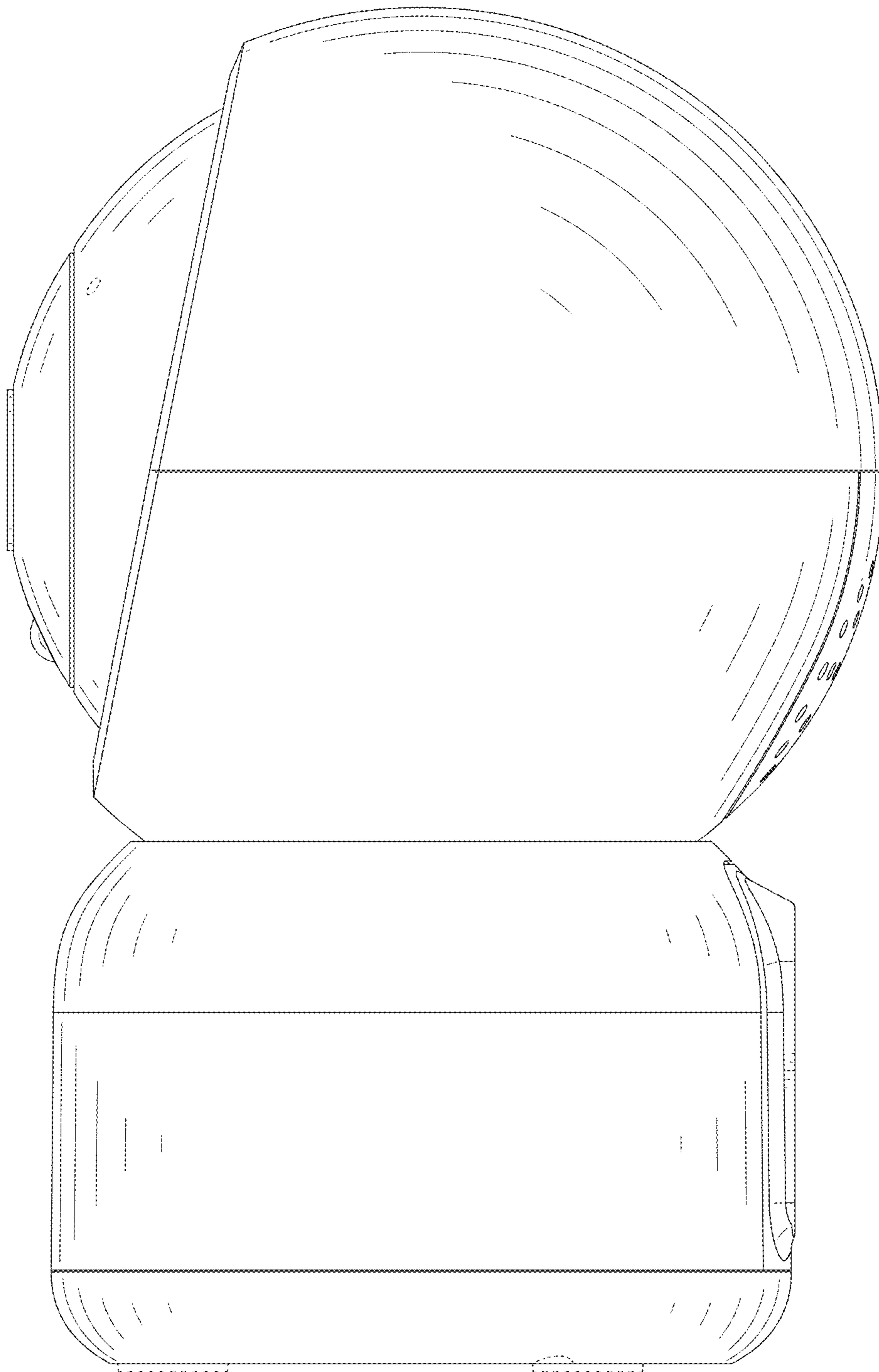


FIG.7

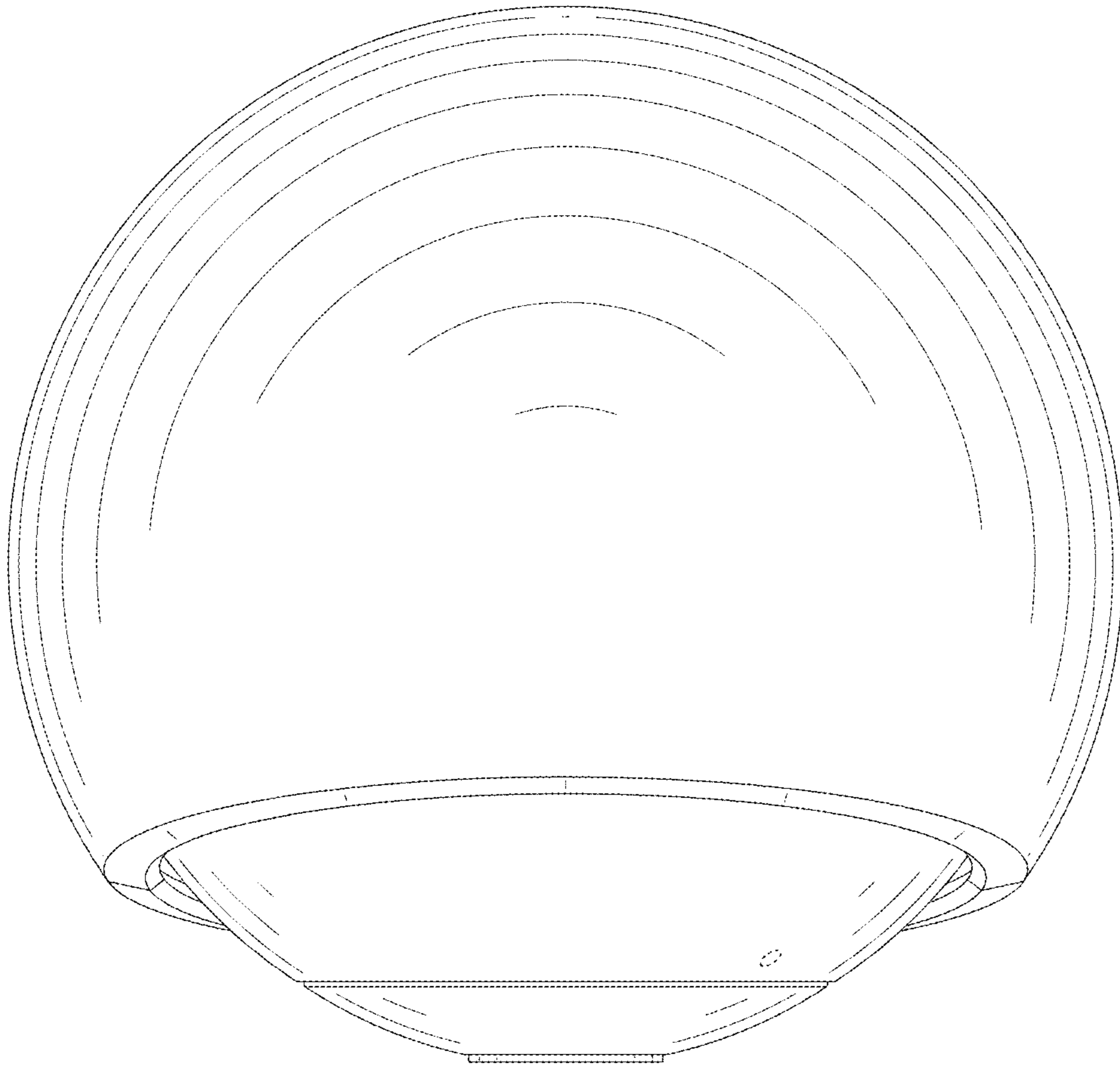


FIG.8

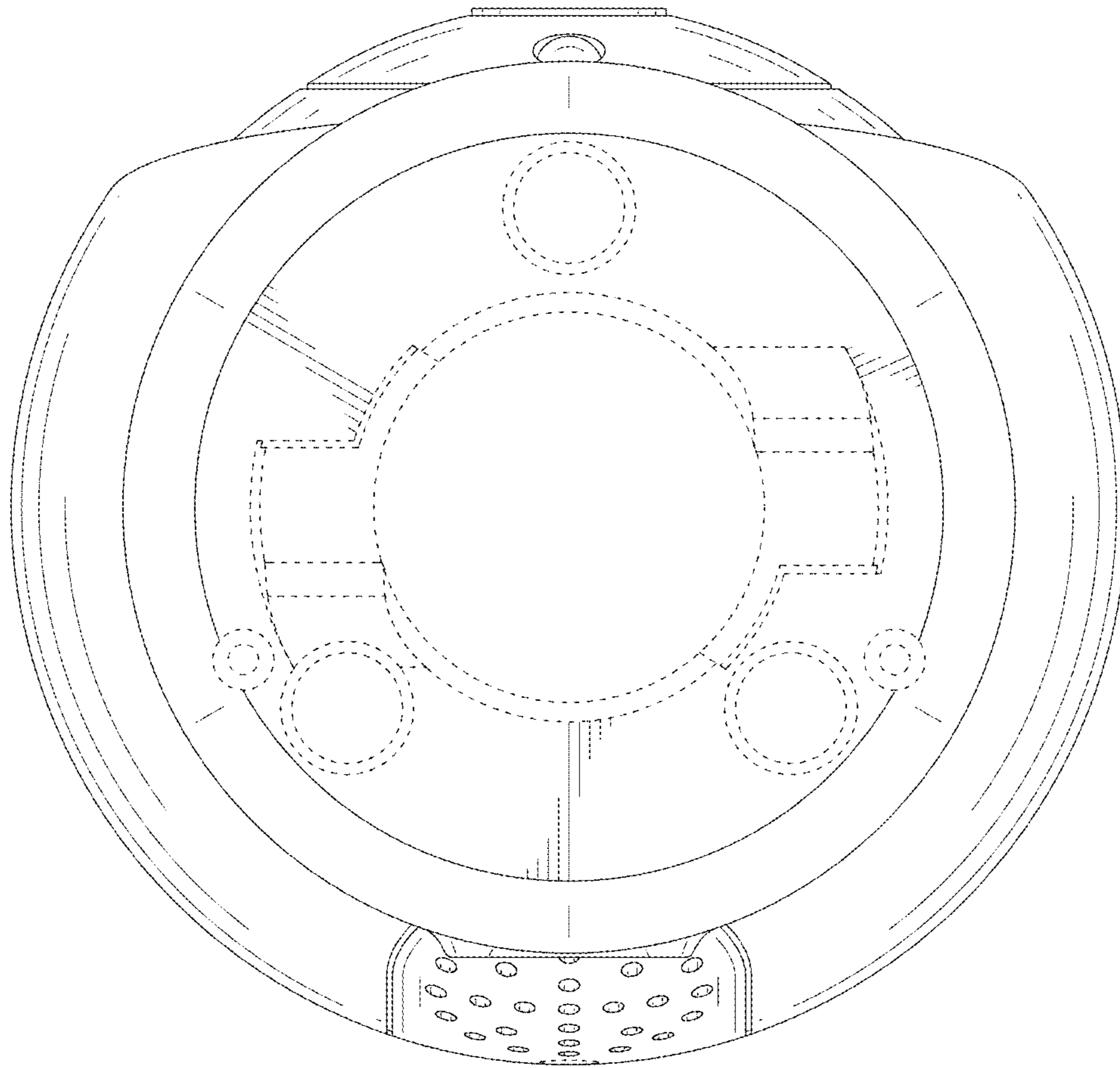


FIG.9