



US00D884051S

(12) **United States Design Patent** (10) **Patent No.:** **US D884,051 S**
Tseng et al. (45) **Date of Patent:** **** May 12, 2020**

(54) **SURVEILLANCE CAMERA** D626,984 S * 11/2010 Miyaji D16/202
8,695,258 B2 * 4/2014 Kori G09F 7/06
(71) Applicant: **Shenzhen Apeman Innovations** D704,240 S * 5/2014 McBride D16/203
Technology Co., Ltd, Shenzhen (CN) D723,395 S * 3/2015 Dispenza D10/53
(72) Inventors: **In Shr Tseng, Shenzhen (CN); Yuanjue** D741,389 S * 10/2015 Park D16/203
Luo, Shenzhen (CN) D751,619 S * 3/2016 Jeong D16/203
D783,076 S * 4/2017 Ravat D16/203
D813,290 S * 3/2018 Song D16/203
D813,926 S * 3/2018 Shin D16/203
D849,094 S * 5/2019 Gan D16/203

(**) Term: **15 Years**

(21) Appl. No.: **29/666,543**

(22) Filed: **Oct. 14, 2018**

(51) **LOC (12) Cl.** **16-01**

(52) **U.S. Cl.**
USPC **D16/203**

(58) **Field of Classification Search**
USPC D16/200, 202-206, 218, 219, 242;
348/143, 148, 151, 373-376; 396/419,
396/427, 535, 539-541
CPC G03B 17/02; G03B 19/04; G03B 17/56;
G03B 17/04; G03B 15/03; H04N 5/2251;
H04N 5/2252; H04N 5/2253; H04N
5/2254; H04N 7/181; H04N 7/183; H04N
7/18; G08B 13/1963; G08B 13/19619;
G08B 13/19632; F16M 11/04; F16M
13/00

See application file for complete search history.

(56) **References Cited**

U.S. PATENT DOCUMENTS

D550,738 S * 9/2007 Hsia D16/202
D609,732 S * 2/2010 Frank D16/203

* cited by examiner

Primary Examiner — Ramzi S Almatrahi
(74) *Attorney, Agent, or Firm* — ZANIP

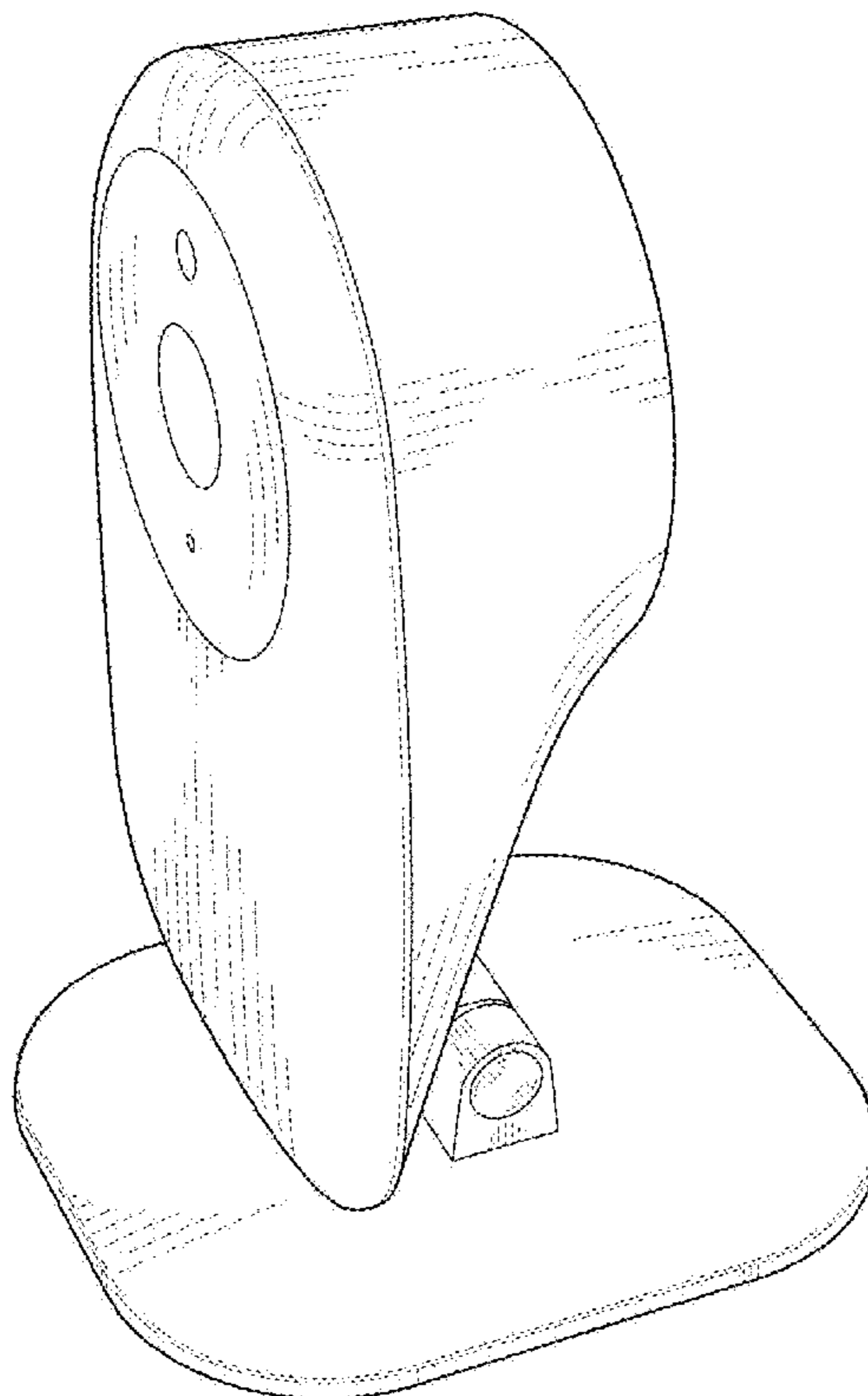
(57) **CLAIM**

The ornamental design for a surveillance camera, as shown and described.

DESCRIPTION

FIG. 1 is a front elevation view of a surveillance camera; FIG. 2 is a rear elevation view thereof; FIG. 3 is a left side elevation view thereof; FIG. 4 is a right side elevation view thereof; FIG. 5 is a top plan the view thereof; FIG. 6 is a bottom plan the view thereof; and, FIG. 7 is a front and right side perspective view thereof. The broken lines in the figures illustrate portions of the surveillance camera that form no part of the claimed design.

1 Claim, 7 Drawing Sheets



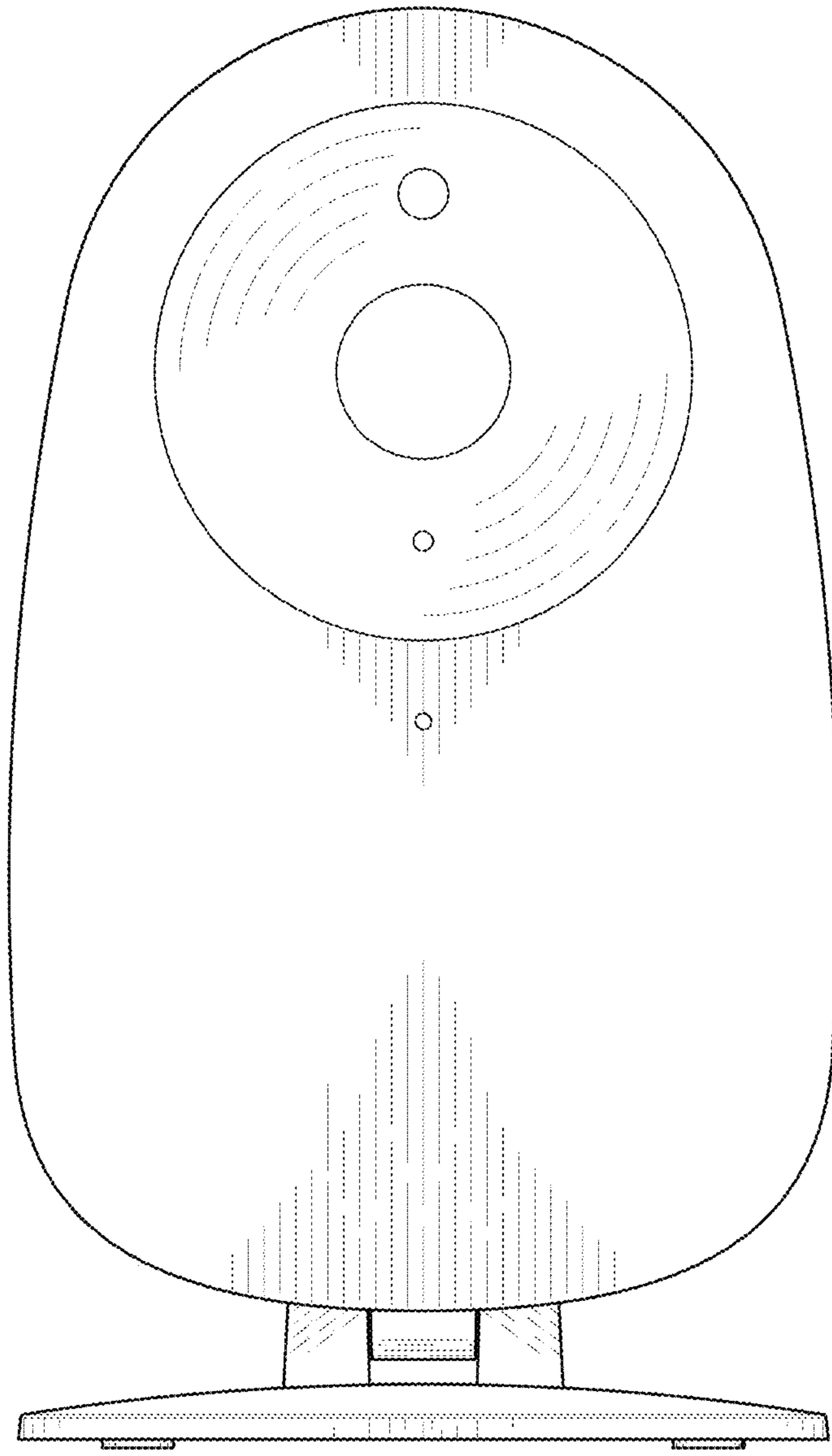


FIG. 1

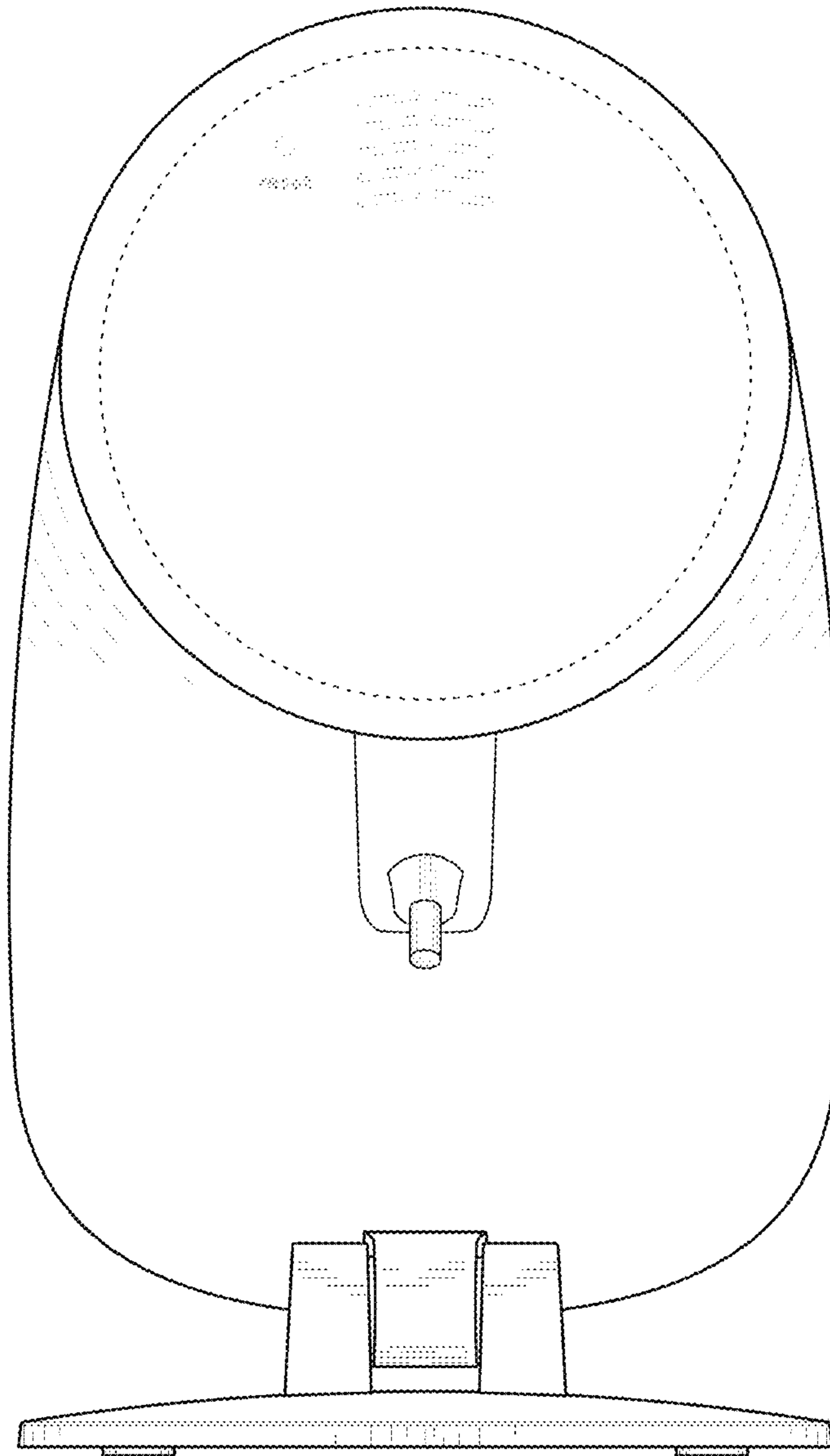


FIG.2

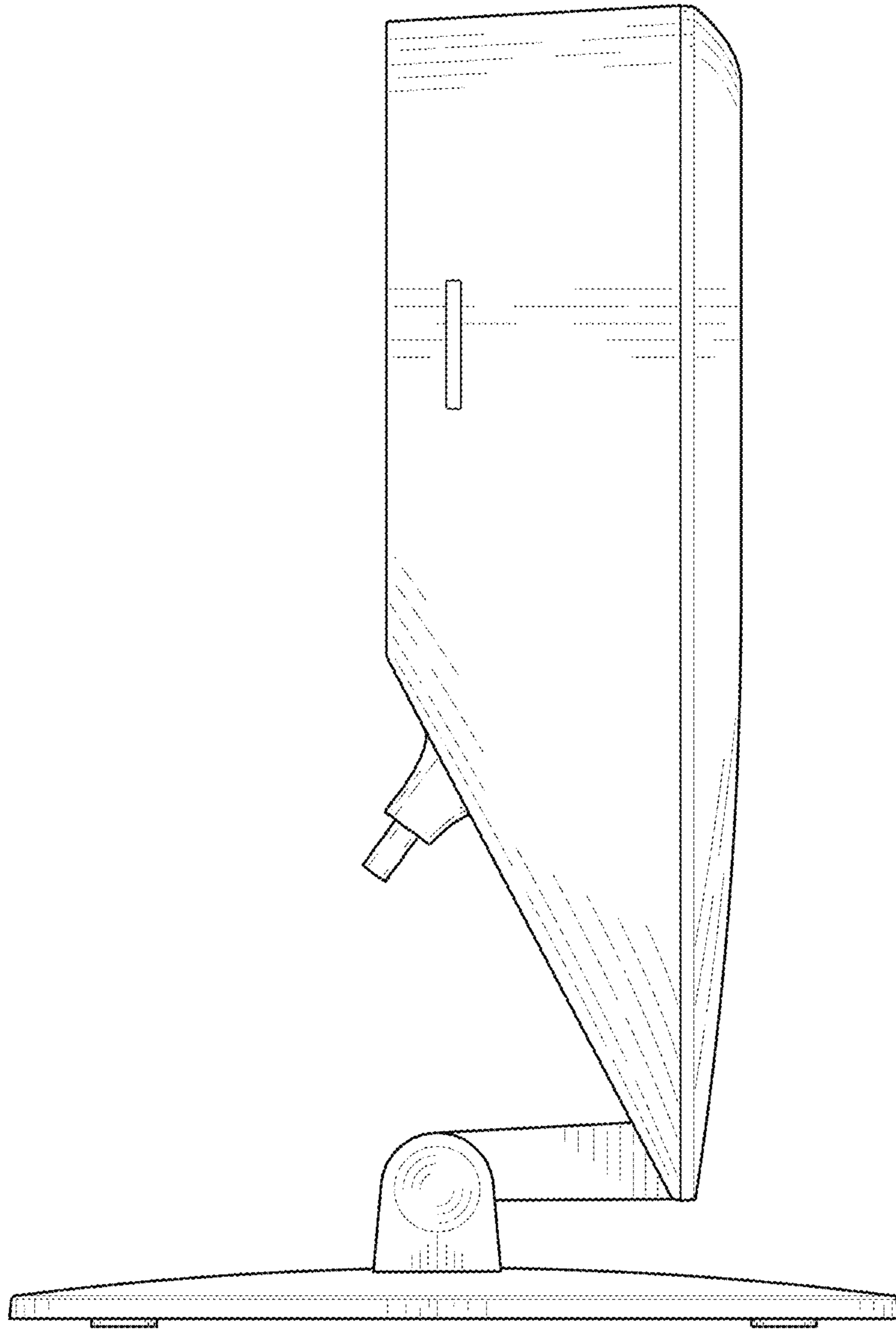


FIG.3

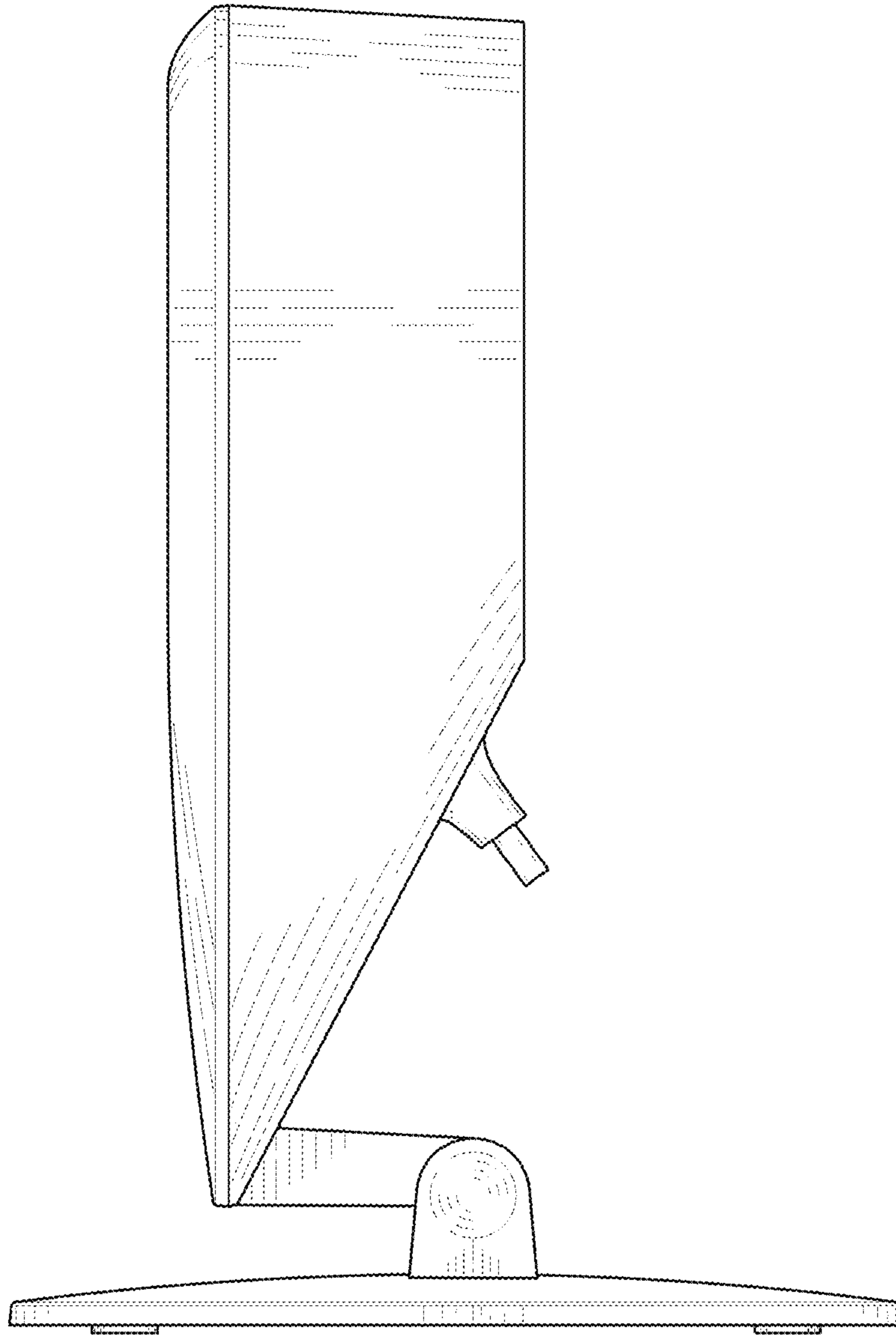


FIG.4

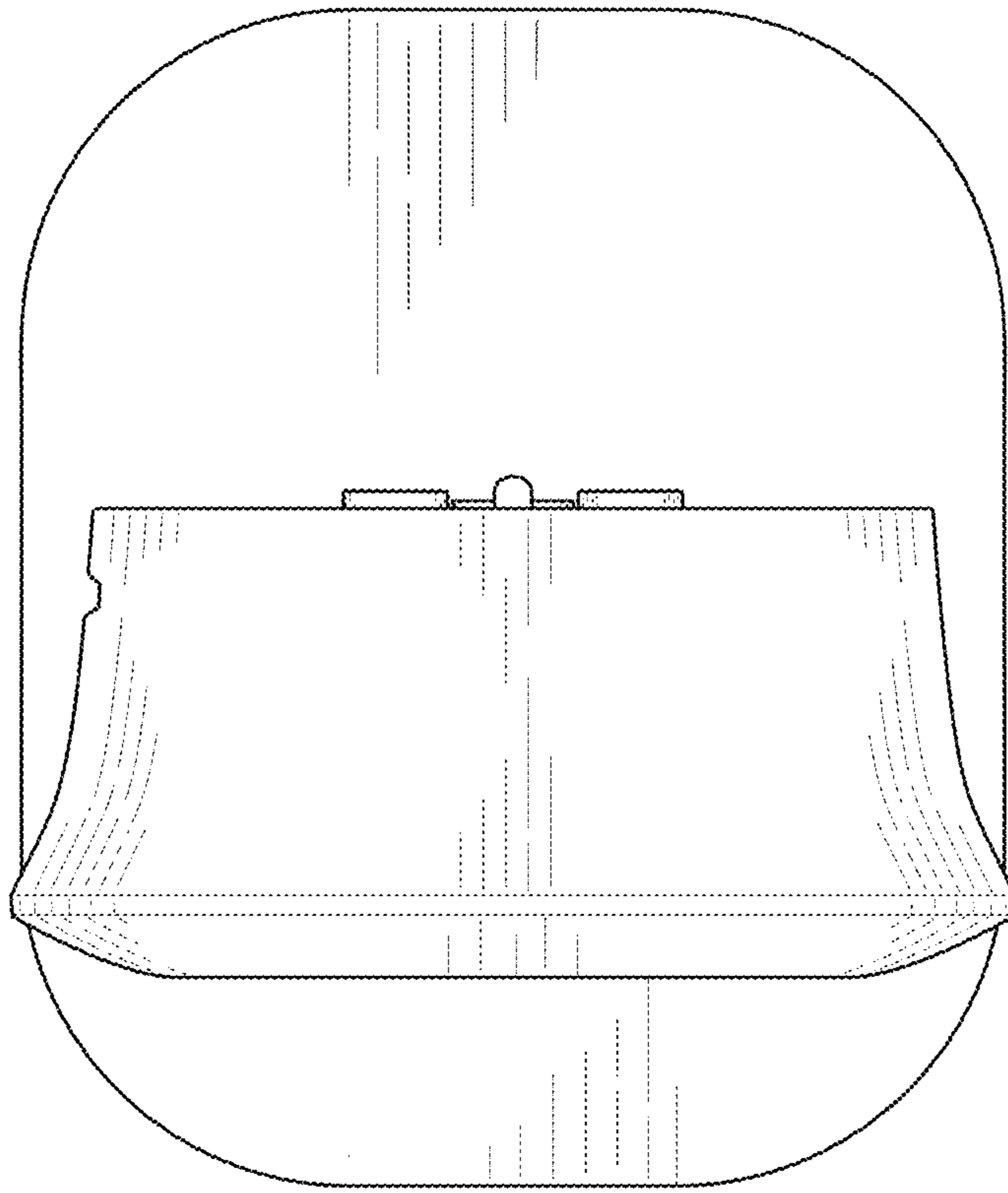


FIG.5

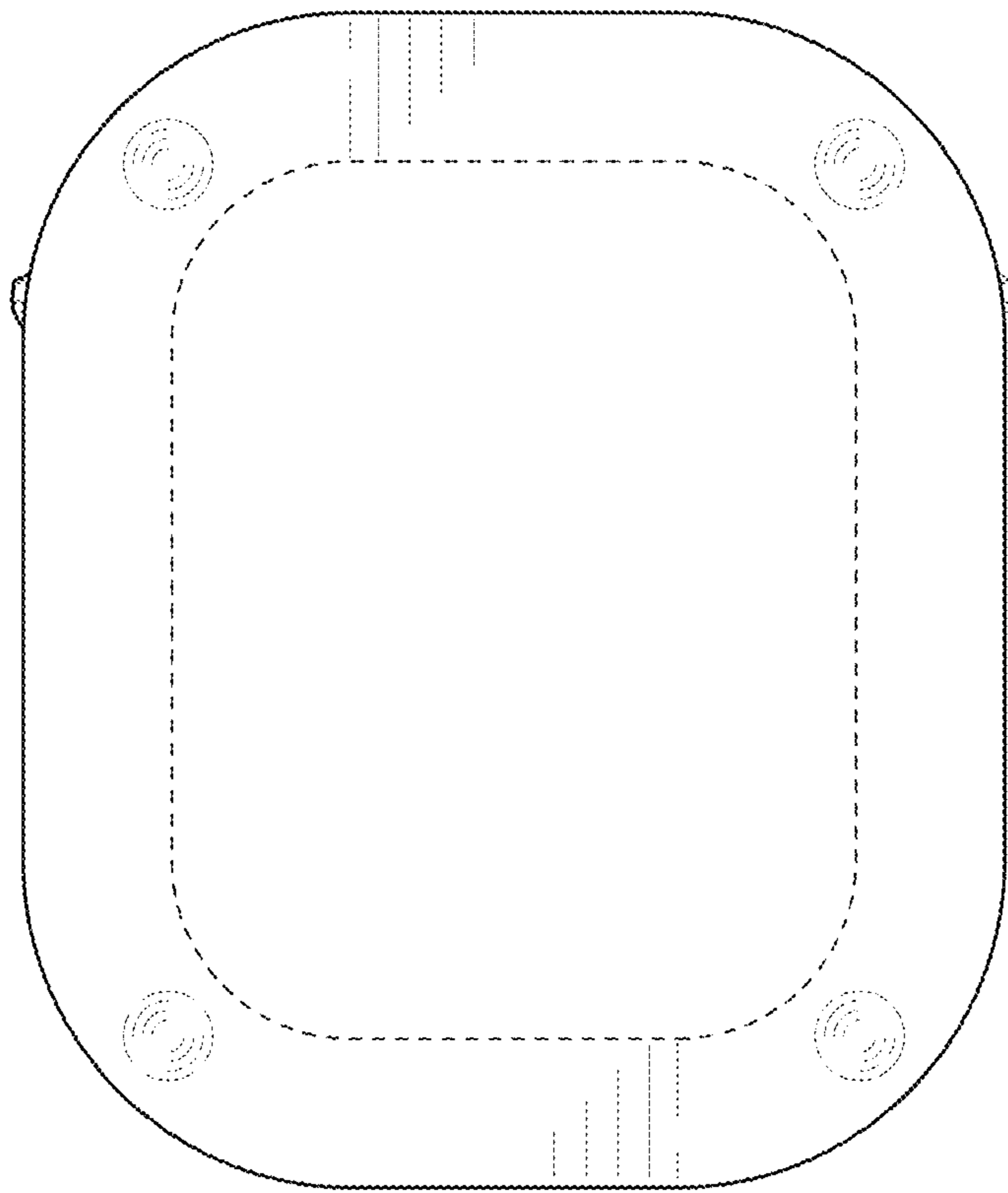


FIG. 6

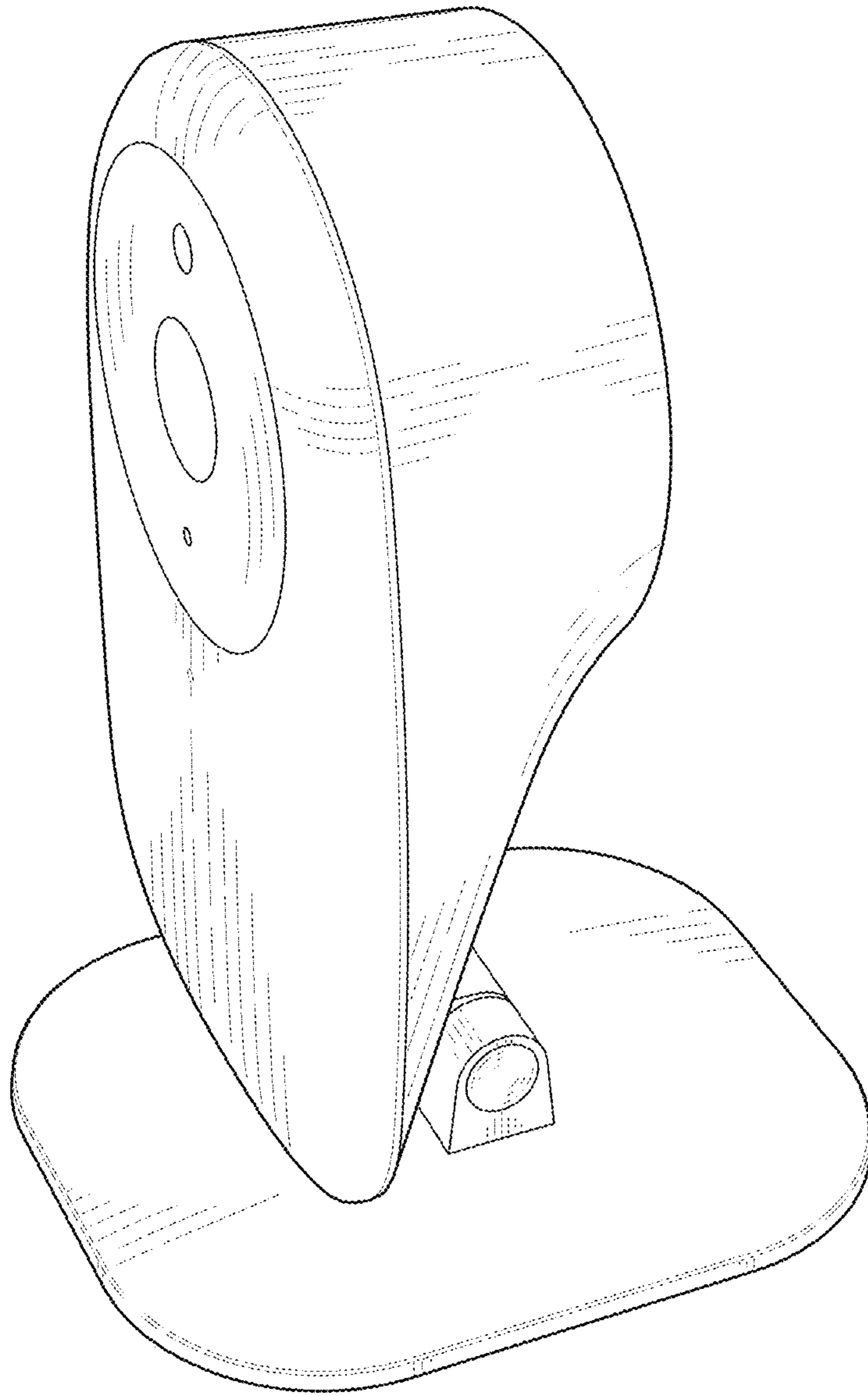


FIG.7