



US00D884050S

(12) **United States Design Patent**  
**Le et al.**

(10) **Patent No.:** **US D884,050 S**

(45) **Date of Patent:** **\*\* May 12, 2020**

(54) **ELECTRONIC DEVICE**

(71) Applicant: **Google LLC**, Mountain View, CA (US)

(72) Inventors: **Minh-Nhat Le**, San Jose, CA (US);  
**Qian Yan**, Union City, CA (US); **Kai Yick**, Daly City, CA (US); **William Rutledge**, San Francisco, CA (US)

(73) Assignee: **Google LLC**, Mountain View, CA (US)

(\*\*) Term: **15 Years**

(21) Appl. No.: **29/644,116**

(22) Filed: **Apr. 13, 2018**

(51) **LOC (12) Cl.** ..... **16-01**

(52) **U.S. Cl.**

USPC ..... **D16/203**; D14/314; D16/200

(58) **Field of Classification Search**

USPC ..... D14/300-304, 308-314, 328, 348-370,  
D14/432, 440-441, 443-446; D13/184,  
D13/199; D16/200, 202-203, 208,  
D16/211-212, 215, 218, 225-227, 229,  
D16/234; D9/418, 423, 433

CPC ..... G03B 15/03; G03B 17/02; G03B 17/04;  
G03B 17/56; G03B 19/04; H04N 5/2251;  
H04N 5/2252; H04N 5/2253; H04N  
5/2254; H04N 7/141; H04N 7/142; H04N  
7/147; H04N 7/148; H04N 7/15; H04N  
7/152

See application file for complete search history.

(56) **References Cited**

**U.S. PATENT DOCUMENTS**

D88,116 S \* 10/1932 Teague ..... D16/201  
3,271,095 A \* 9/1966 Jensen ..... G03B 21/325  
352/128  
D220,406 S \* 4/1971 Hardy ..... D16/203  
D238,396 S \* 1/1976 Hickey ..... D16/225  
D340,929 S \* 11/1993 Klimek ..... D14/210  
D352,453 S \* 11/1994 Bacchetti ..... D9/418

D360,620 S \* 7/1995 Gehrs ..... D13/152  
D382,002 S \* 8/1997 Hix ..... D16/225  
D388,108 S \* 12/1997 Kloss ..... D16/208  
D416,487 S \* 11/1999 Shapiro ..... D16/208  
D417,150 S \* 11/1999 Shapiro ..... D16/208  
D418,411 S \* 1/2000 Shapiro ..... D16/208  
D494,061 S \* 8/2004 Brown ..... D9/415

(Continued)

**OTHER PUBLICATIONS**

Gilbert, Ben, Google says this \$45 cardboard box has artificial intelligence that can watch your dog and guard your house, posted at Business Insider, posted Dec. 1, 2017. Site visited Jul. 6, 2017. URL: <<https://www.businessinsider.com/google-ai-camera-raspberry-pi-2017-12>> (Year: 2017).\*

(Continued)

*Primary Examiner* — Kevin K Rudzinski

*Assistant Examiner* — Kathleen L Jones

(74) *Attorney, Agent, or Firm* — Finnegan, Henderson, Farabow, Garrett & Dunner LLP

(57) **CLAIM**

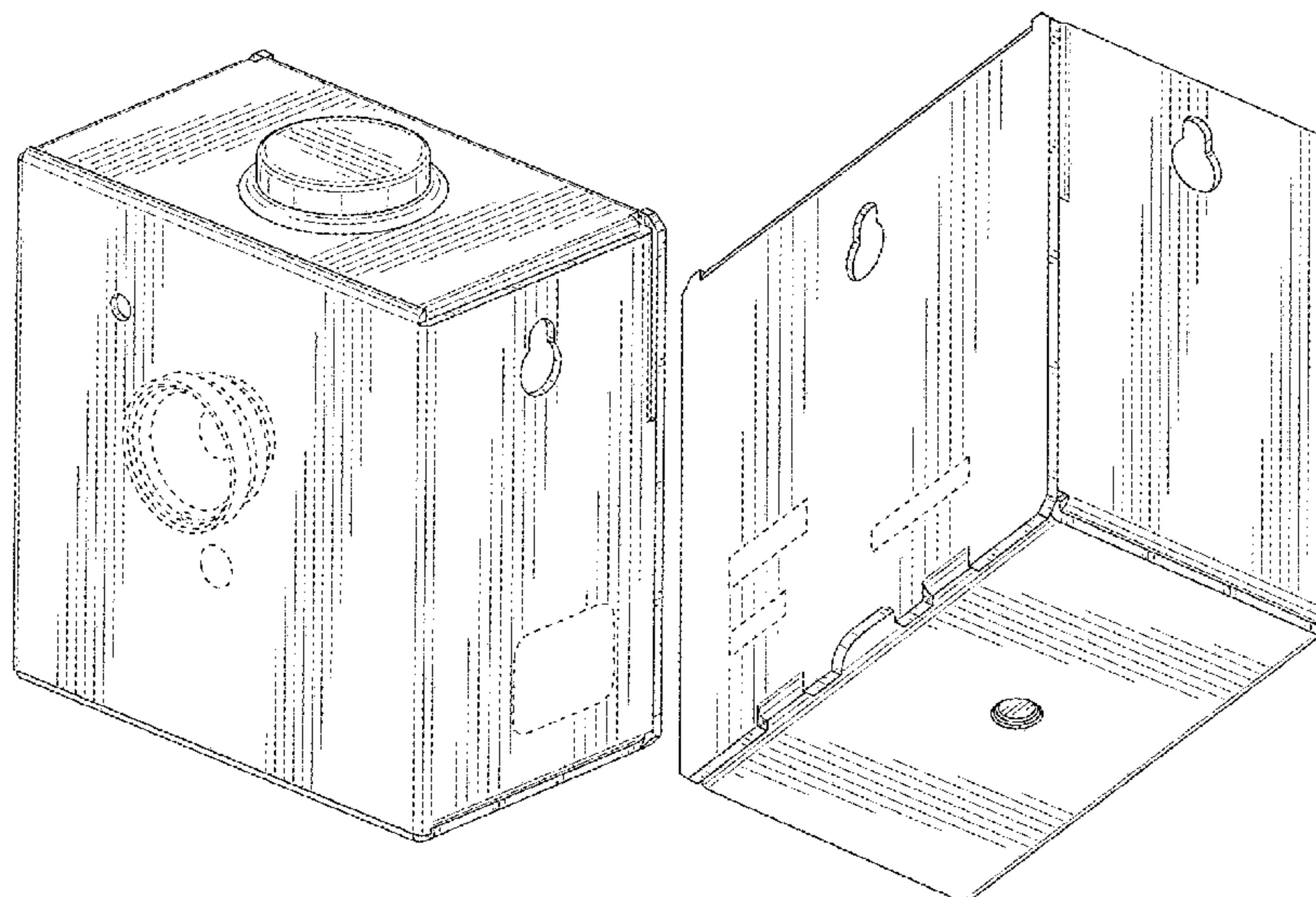
The ornamental design for an electronic device, as shown and described.

**DESCRIPTION**

FIG. 1 is a top, front, right perspective view of an electronic device, showing our new design;  
FIG. 2 is a bottom, rear, left perspective view thereof;  
FIG. 3 is a front elevation view thereof;  
FIG. 4 is a rear elevation view thereof;  
FIG. 5 is a left side elevation view thereof;  
FIG. 6 is a right side elevation view thereof;  
FIG. 7 is a top plan view thereof; and,  
FIG. 8 is a bottom plan view thereof.

The broken lines of even length shown in the drawing illustrate portions of the electronic device that form no part of the claimed design.

**1 Claim, 8 Drawing Sheets**



(56)

References Cited

U.S. PATENT DOCUMENTS

D496,269 S \* 9/2004 Hutchinson ..... D9/416  
 D499,020 S \* 11/2004 Izen ..... D9/418  
 D504,904 S \* 5/2005 Nagai ..... D16/203  
 D548,072 S \* 8/2007 Nixon ..... D9/432  
 D565,073 S \* 3/2008 Jeon ..... D16/203  
 D695,289 S \* 12/2013 Yamazaki ..... D14/364  
 D722,099 S \* 2/2015 Lee ..... D16/225  
 D729,060 S \* 5/2015 Trombetta ..... D9/418  
 D772,221 S \* 11/2016 Kacin ..... D14/308  
 D772,223 S \* 11/2016 Kacin ..... D14/308  
 D772,224 S \* 11/2016 Kacin ..... D14/308  
 D794,695 S \* 8/2017 Zhang ..... D16/218  
 D801,335 S \* 10/2017 Klingebiel ..... D14/358  
 D810,077 S \* 2/2018 Kacin ..... D14/356  
 D820,339 S \* 6/2018 Yau ..... D16/203  
 D836,619 S \* 12/2018 Yokoyama ..... D14/240  
 D839,336 S \* 1/2019 Siminoff ..... D16/203  
 D849,081 S \* 5/2019 Boling ..... D16/202  
 D849,110 S \* 5/2019 Khubani ..... D16/218  
 D856,391 S \* 8/2019 Liu ..... D16/200  
 D856,392 S \* 8/2019 Luo ..... D16/202  
 D857,077 S \* 8/2019 Arens ..... D16/202  
 D860,295 S \* 9/2019 Starling ..... D16/225

D861,055 S \* 9/2019 Sekine ..... D16/200  
 D864,962 S \* 10/2019 Jhun ..... D14/432  
 D865,755 S \* 11/2019 Yang ..... D14/301  
 D872,162 S \* 1/2020 Gao ..... D16/218  
 2013/0315577 A1\* 11/2013 Clark ..... G03B 17/561  
 396/27

OTHER PUBLICATIONS

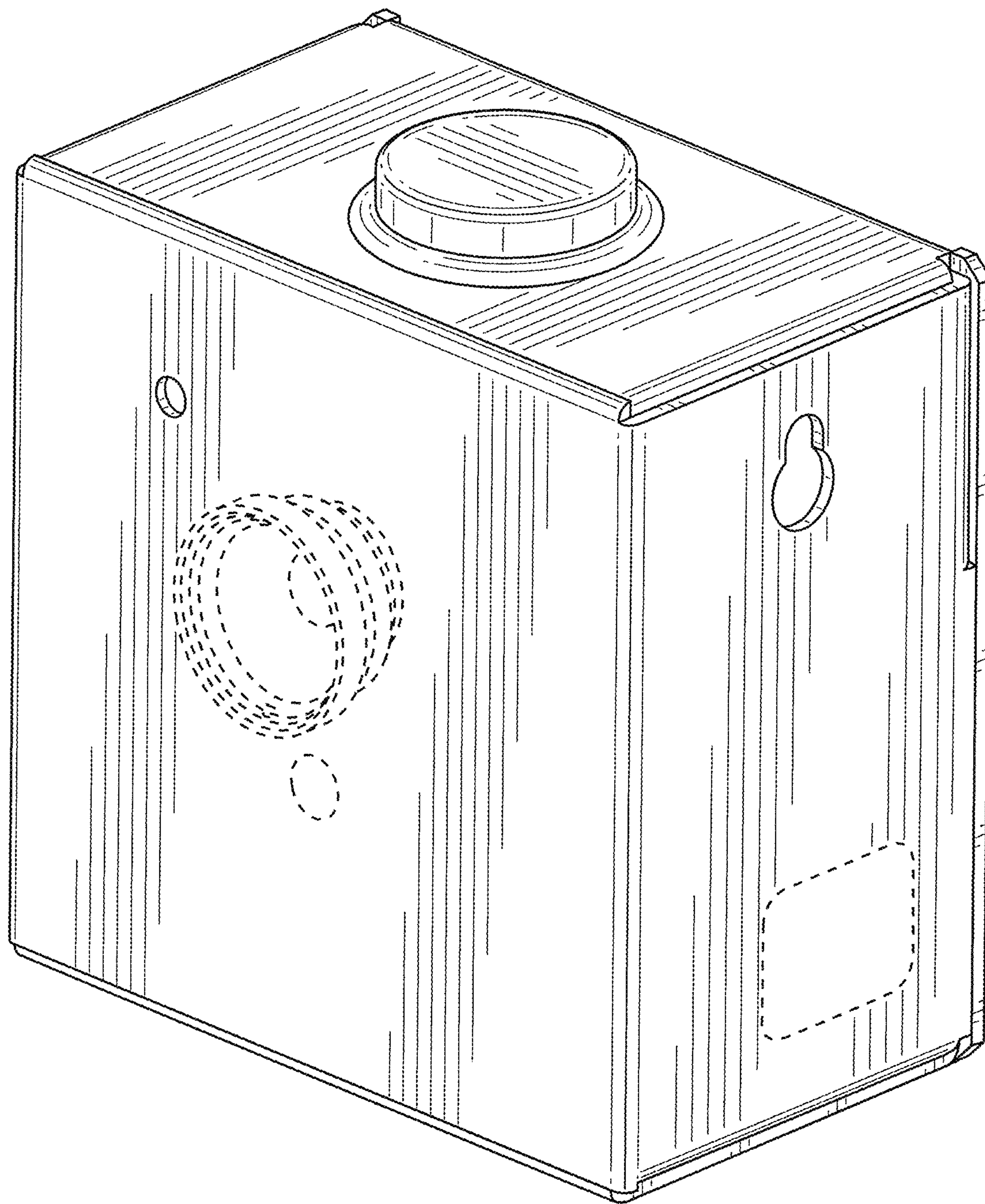
Burgett, Gannon, Make your own DIY Polaroid camera with a Raspberry Pi and a receipt printer, posted at Digital Trends, posting date May 20, 2016. Site visited Jul. 17, 2019. URL: <<https://www.digitaltrends.com/photography/instant-camera-raspberry-pi-thermal-printer/>> (Year: 2016).\*

Estrada, Maren, This best-selling \$38 security camera has features a \$200 Nest Cam can't even dream of, posted at BGR, posting date Oct. 22, 2018. Site visited Jul. 17, 2019. URL: <<https://bgr.com/2018/10/22/best-selling-home-security-camera-beats-nest-cam/>> (Year: 2018).\*

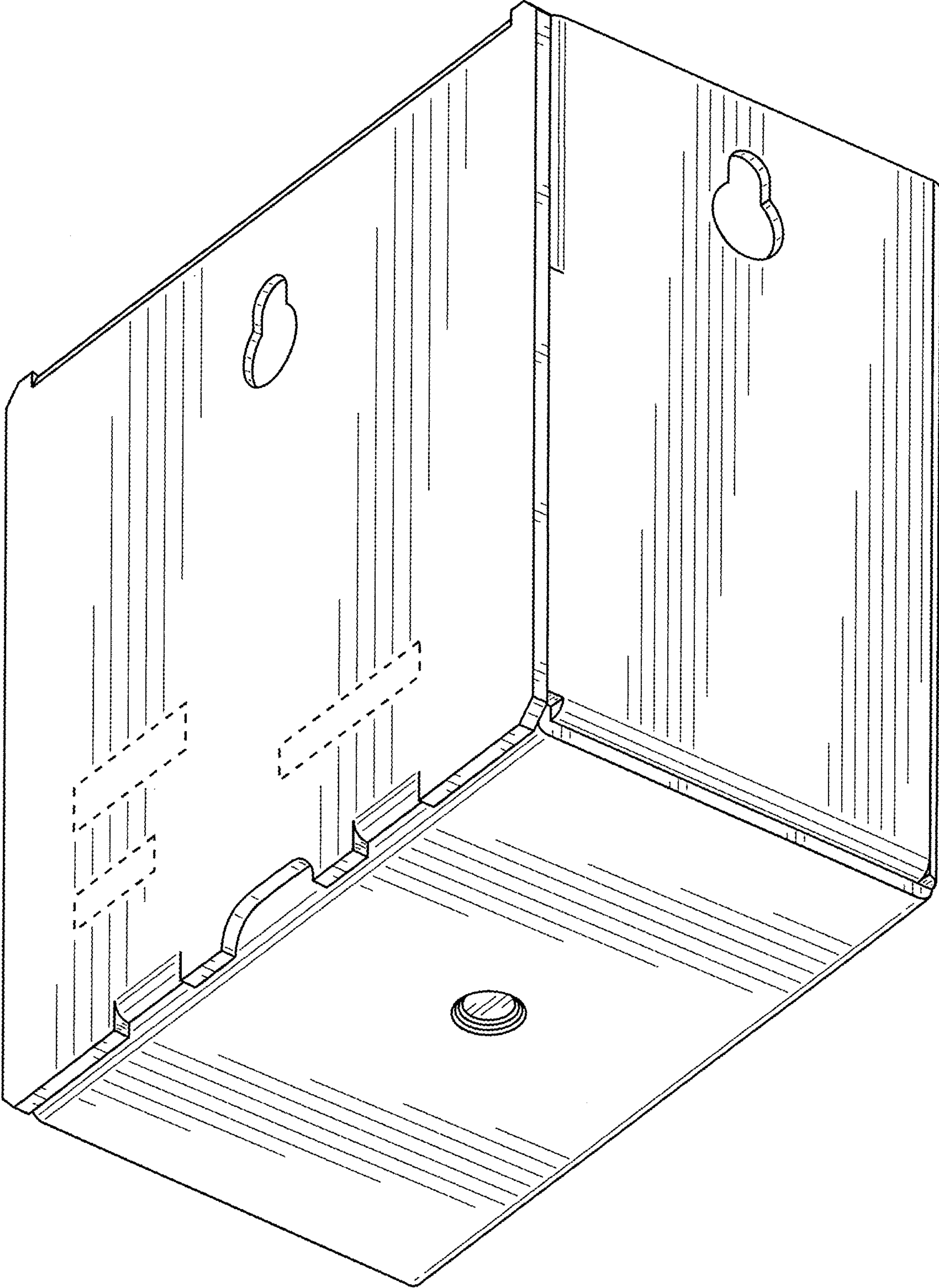
No. 4 Bullet Kodak, posted at Red Bellows Antique & Vintage Photographic Equipment, image copyright 2015. Site visited Jul. 17, 2019. URL: <[http://redbellows.co.uk/CameraCollection/Kodak/No4BulletKodak\\_635.htm](http://redbellows.co.uk/CameraCollection/Kodak/No4BulletKodak_635.htm)> (Year: 2015).\*

\* cited by examiner

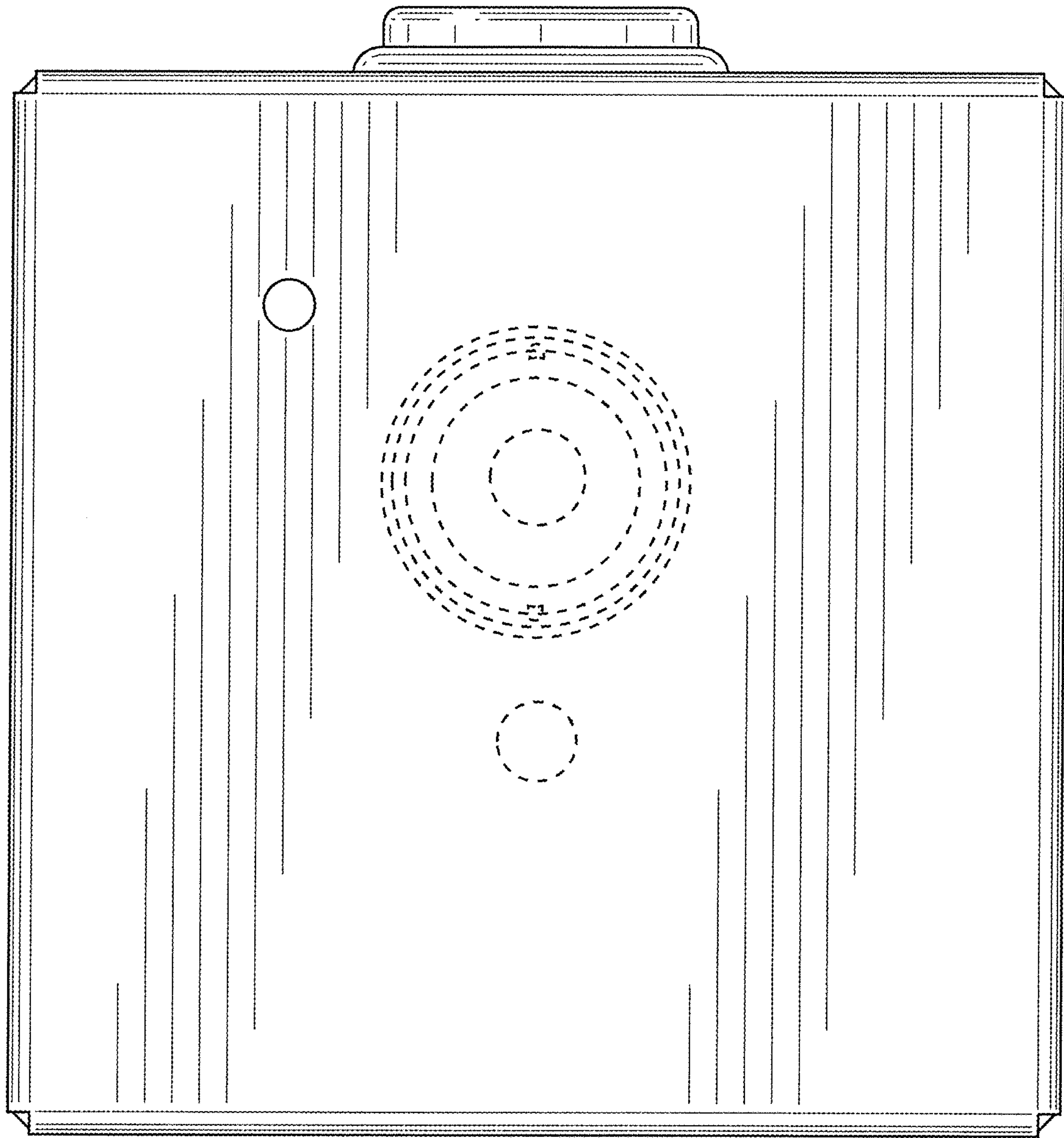




**FIG. 1**

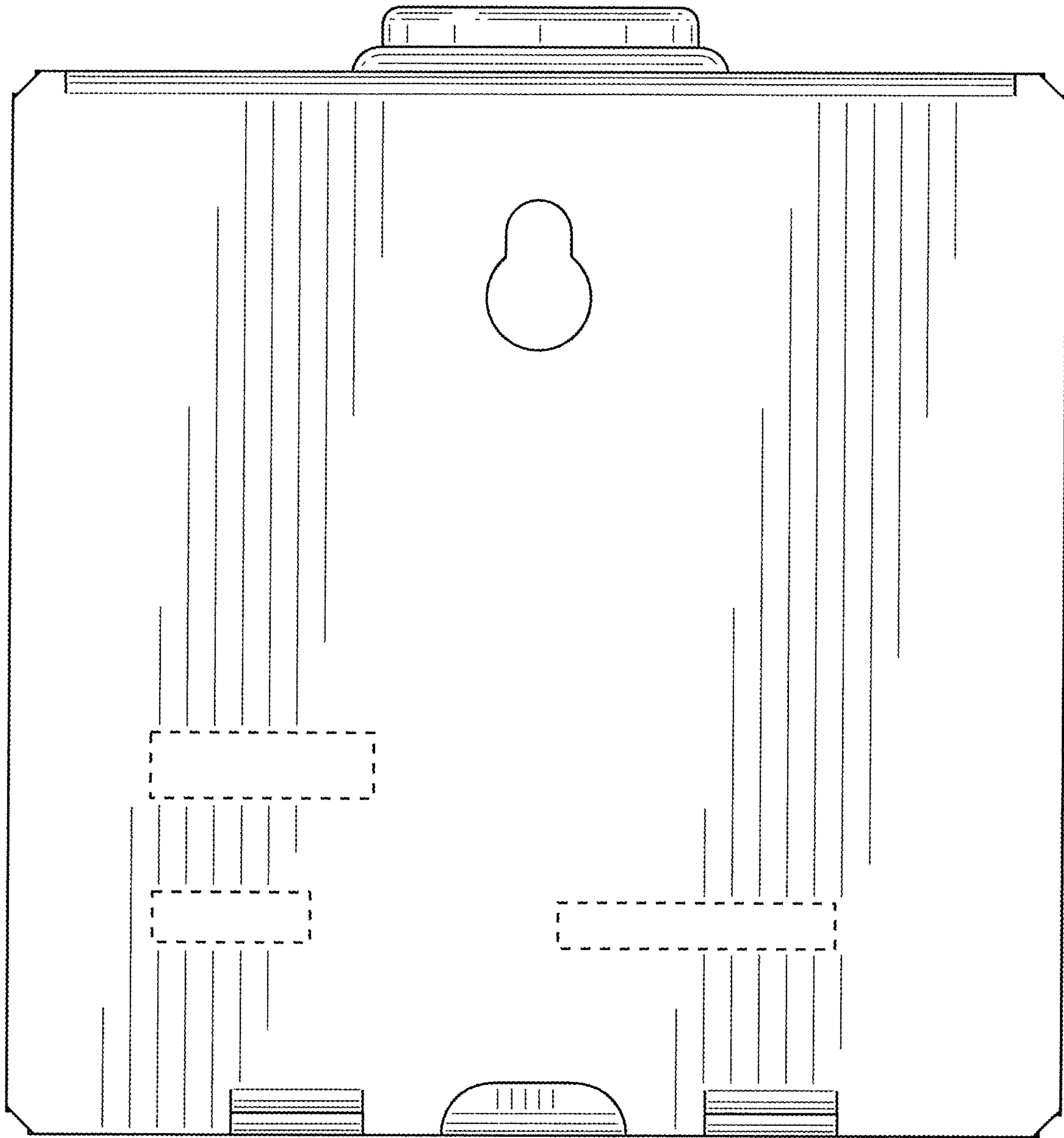


**FIG. 2**

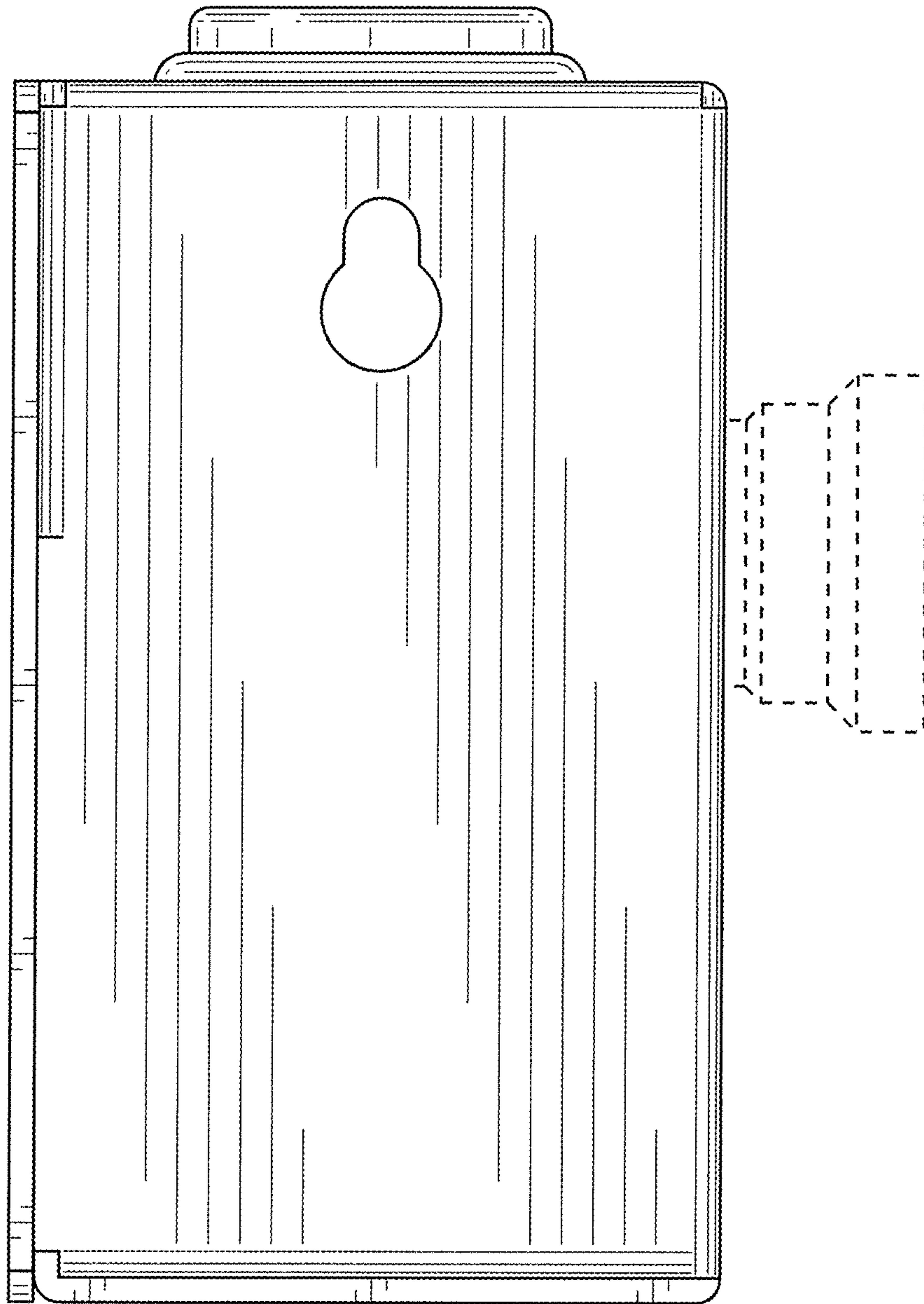


**FIG. 3**

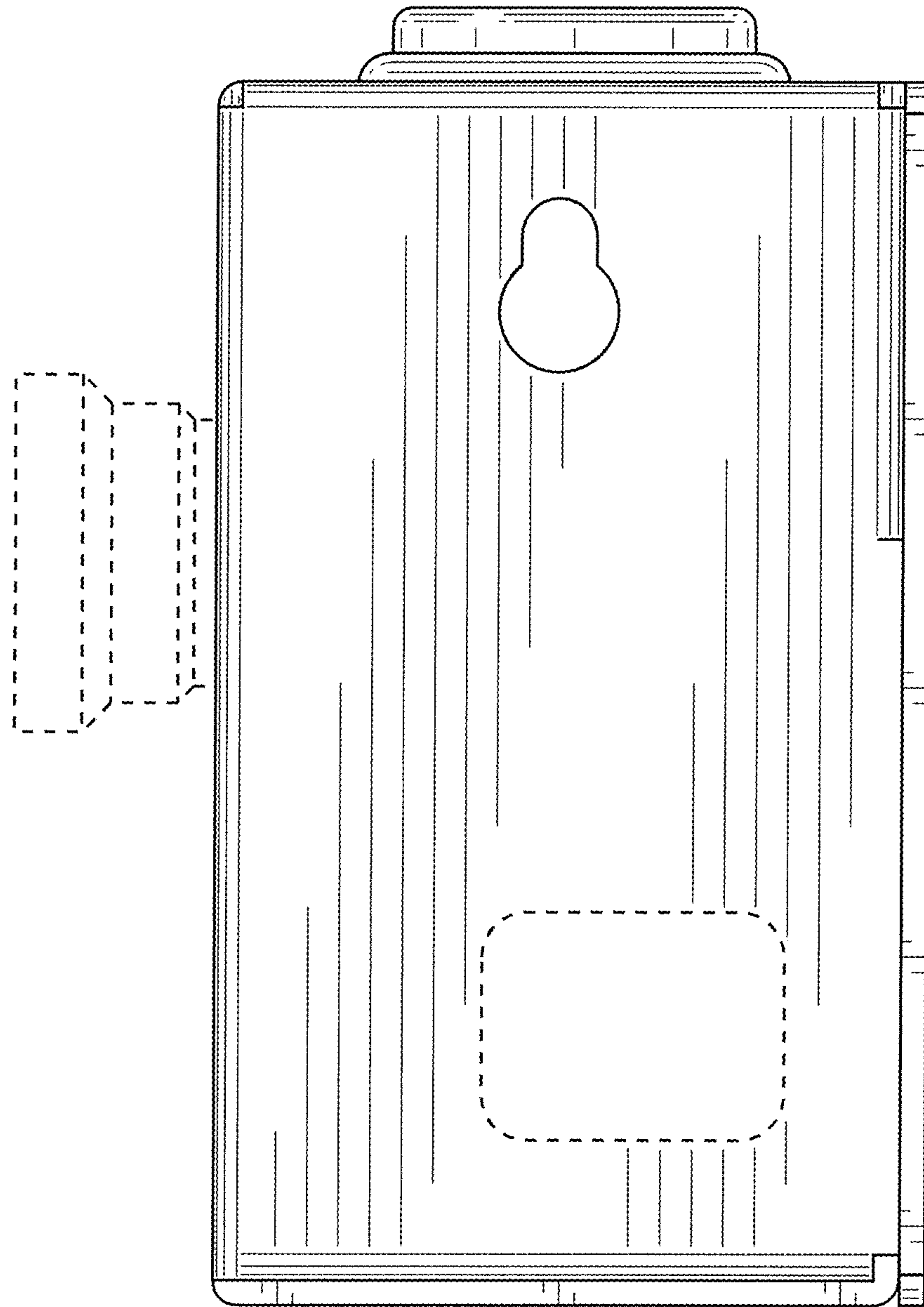




**FIG. 4**

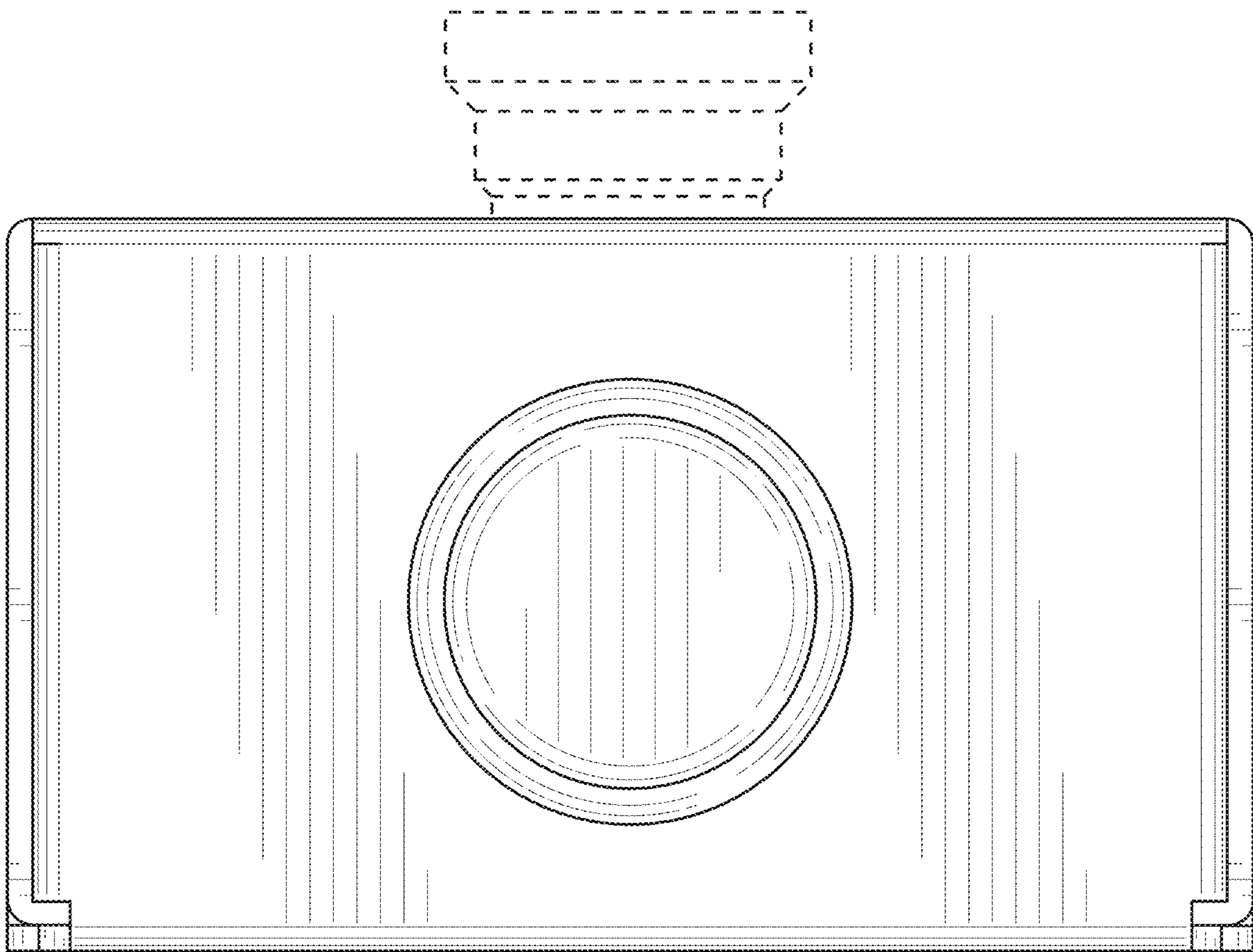


**FIG. 5**

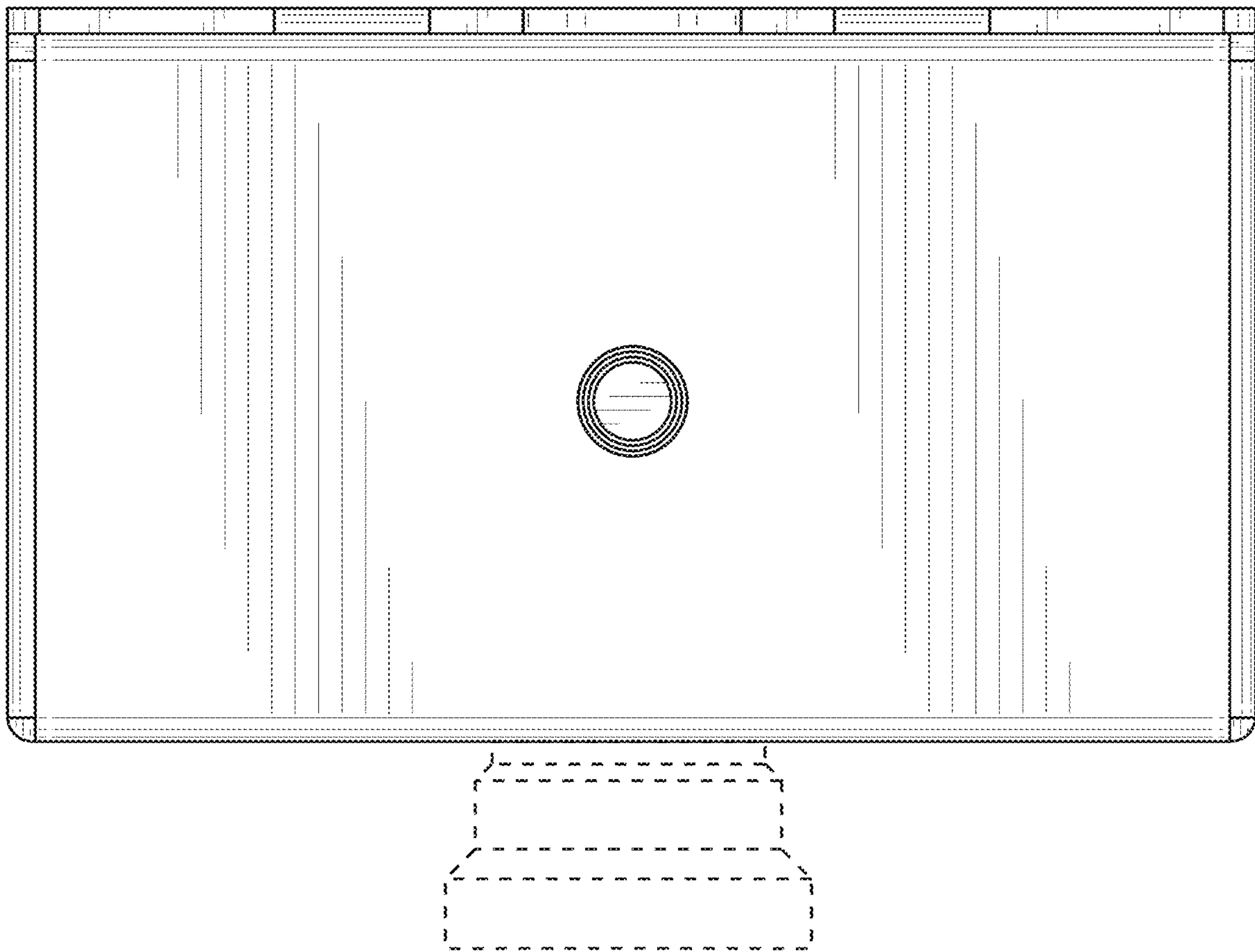


**FIG. 6**





**FIG. 7**



**FIG. 8**