



US00D884049S

(12) **United States Design Patent** (10) **Patent No.:** **US D884,049 S**  
**Wang** (45) **Date of Patent:** **\*\* May 12, 2020**

(54) **TRAIL CAMERA**  
(71) Applicant: **Wen Ze Wang**, Guangdong (CN)  
(72) Inventor: **Wen Ze Wang**, Guangdong (CN)  
(\*\*) Term: **15 Years**  
(21) Appl. No.: **29/623,219**  
(22) Filed: **Oct. 24, 2017**

D616,009 S *	5/2010	Schnell	.....	D16/218
D628,224 S *	11/2010	Barley	.....	D16/203
D653,276 S *	1/2012	Schnell	.....	D16/218
D655,735 S *	3/2012	Barley	.....	D16/203
D655,736 S *	3/2012	Barley	.....	D16/203
D671,584 S *	11/2012	Ohno	.....	D16/202
D673,991 S *	1/2013	Schnell	.....	D16/218
D674,833 S *	1/2013	Cuddeback	.....	D16/203
D691,647 S *	10/2013	Ye	.....	D16/203
D721,116 S *	1/2015	Schnell	.....	D16/218
D735,259 S *	7/2015	Vermaak	.....	D16/218

\* cited by examiner

(30) **Foreign Application Priority Data**

Oct. 9, 2017 (CN) ..... 2017 3 0478535

(51) **LOC (12) Cl.** ..... **16-01**

(52) **U.S. Cl.**  
USPC ..... **D16/203**

(58) **Field of Classification Search**  
USPC ..... D16/200, 202-206, 218, 219, 242;  
348/143, 148, 151, 155, 164, 373-376;  
396/419, 427, 535, 539-541  
CPC ..... G03B 17/02; G03B 19/04; G03B 17/56;  
G03B 17/04; G03B 15/03; H04N 5/2251;  
H04N 5/2252; H04N 5/2253; H04N  
5/2254; H04N 7/181; H04N 7/183; H04N  
7/18; G08B 13/1963; G08B 13/19619;  
G08B 13/19632; G08B 13/19602; G08B  
13/19634; F16M 11/04; F16M 13/00  
See application file for complete search history.

(56) **References Cited**

**U.S. PATENT DOCUMENTS**

7,471,334 B1 *	12/2008	Stenger	.....	G03B 29/00	348/143
7,534,056 B2 *	5/2009	Cross	.....	F16M 11/10	348/143

*Primary Examiner* — Ramzi S Almatrahi  
(74) *Attorney, Agent, or Firm* — KA Filing LLC; Wayne V. Harper

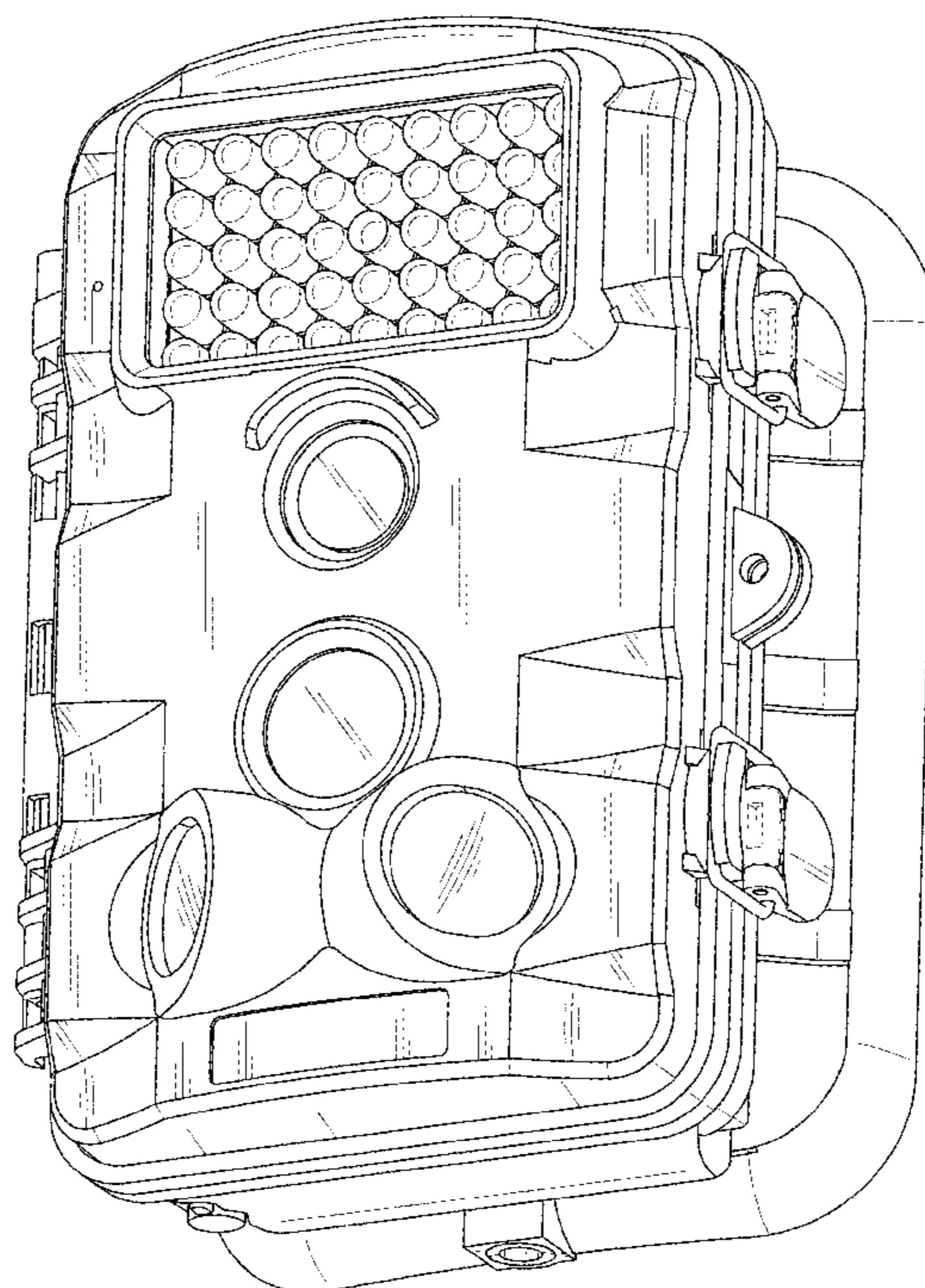
(57) **CLAIM**

The ornamental design for a trail camera, as shown and described.

**DESCRIPTION**

FIG. 1 is a front elevational view of a trail camera showing my new design;  
FIG. 2 is a rear elevational view thereof;  
FIG. 3 is a left side elevational view thereof;  
FIG. 4 is a right-side elevational view thereof;  
FIG. 5 is a top plan view thereof;  
FIG. 6 is a bottom plan view thereof; and,  
FIG. 7 is a front perspective view thereof.  
The broken lines depict portions of the trail camera in which the design is embodied that form no part of the claimed design.

**1 Claim, 6 Drawing Sheets**



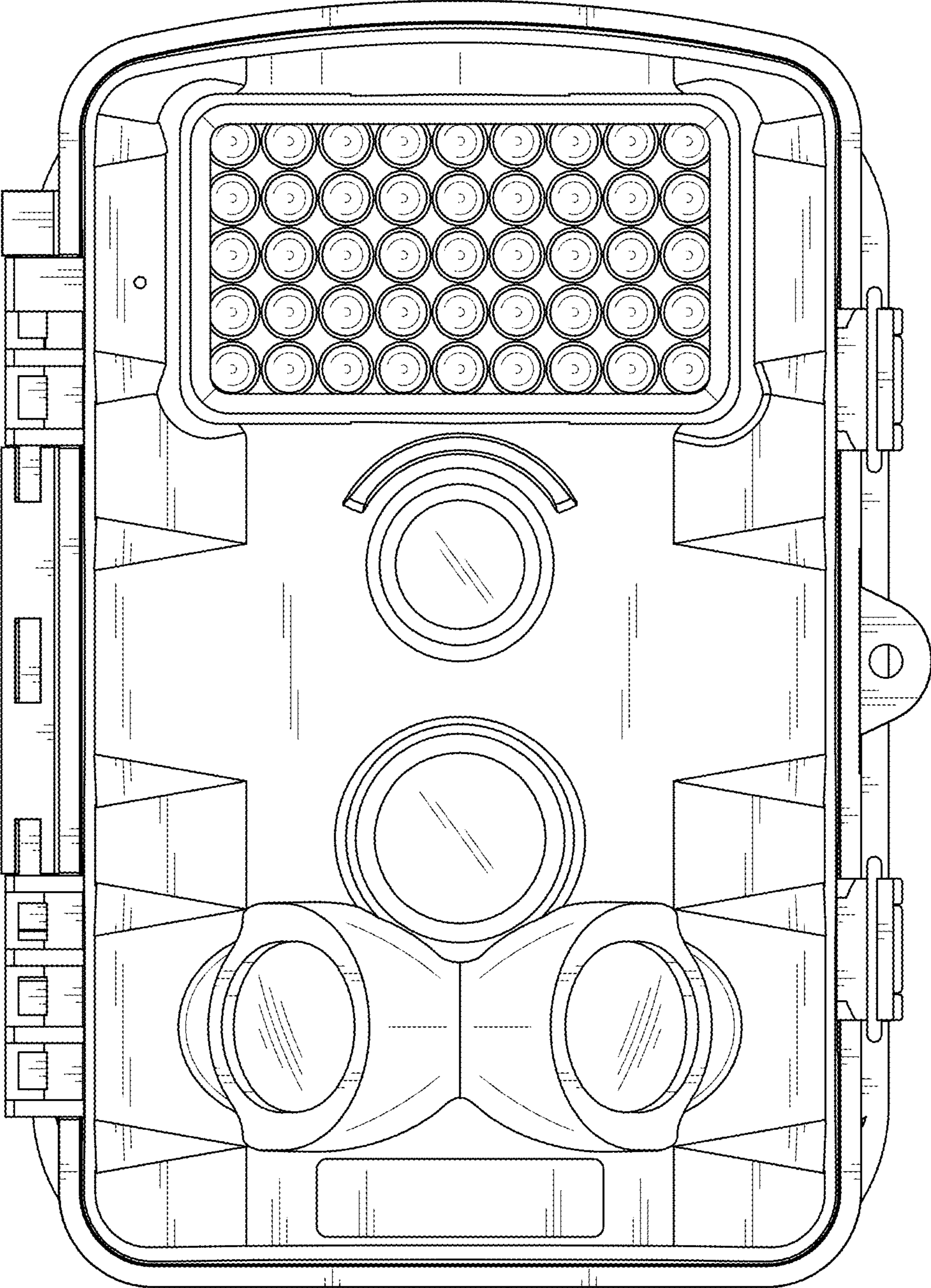


FIG. 1

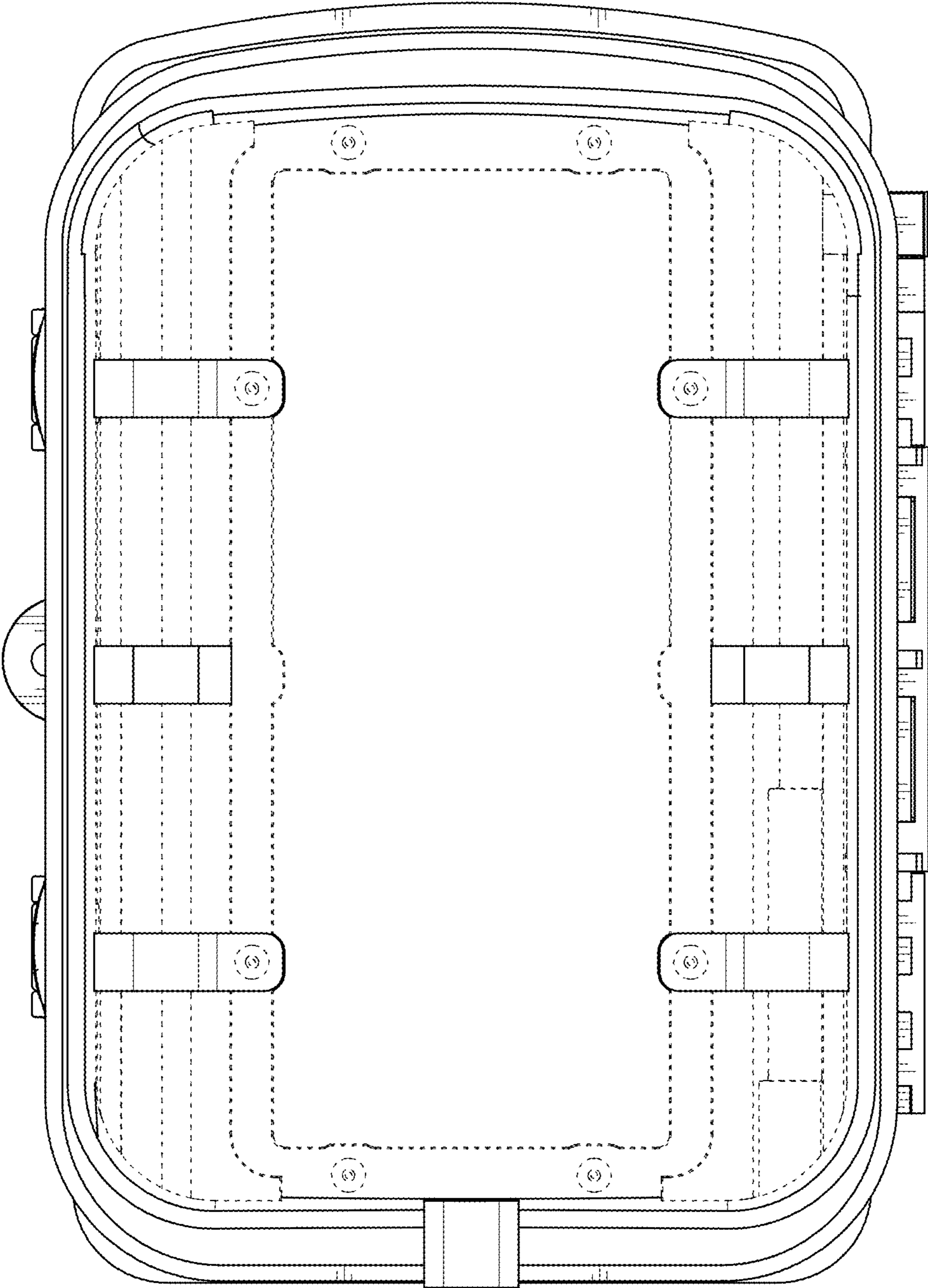


FIG. 2

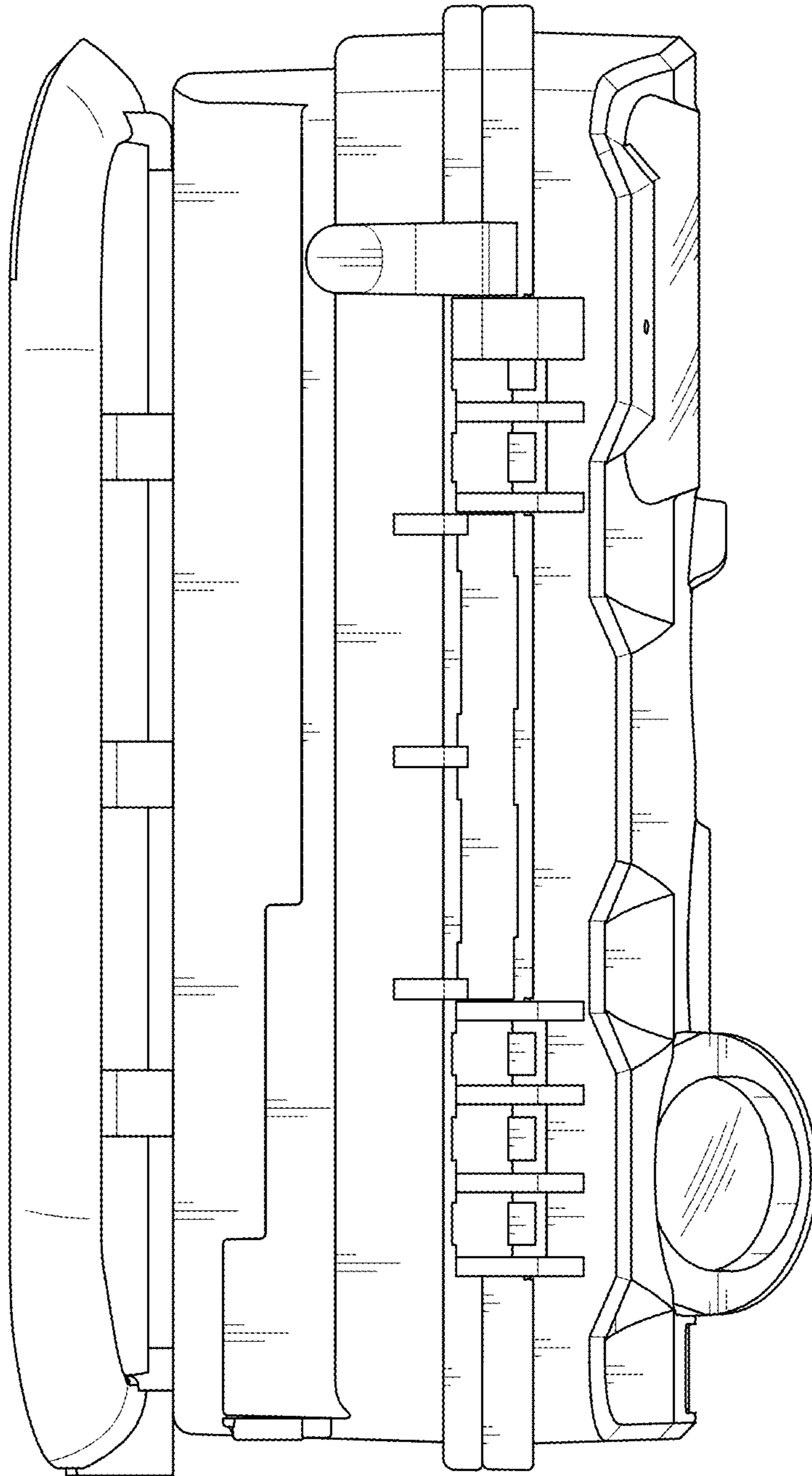


FIG. 3

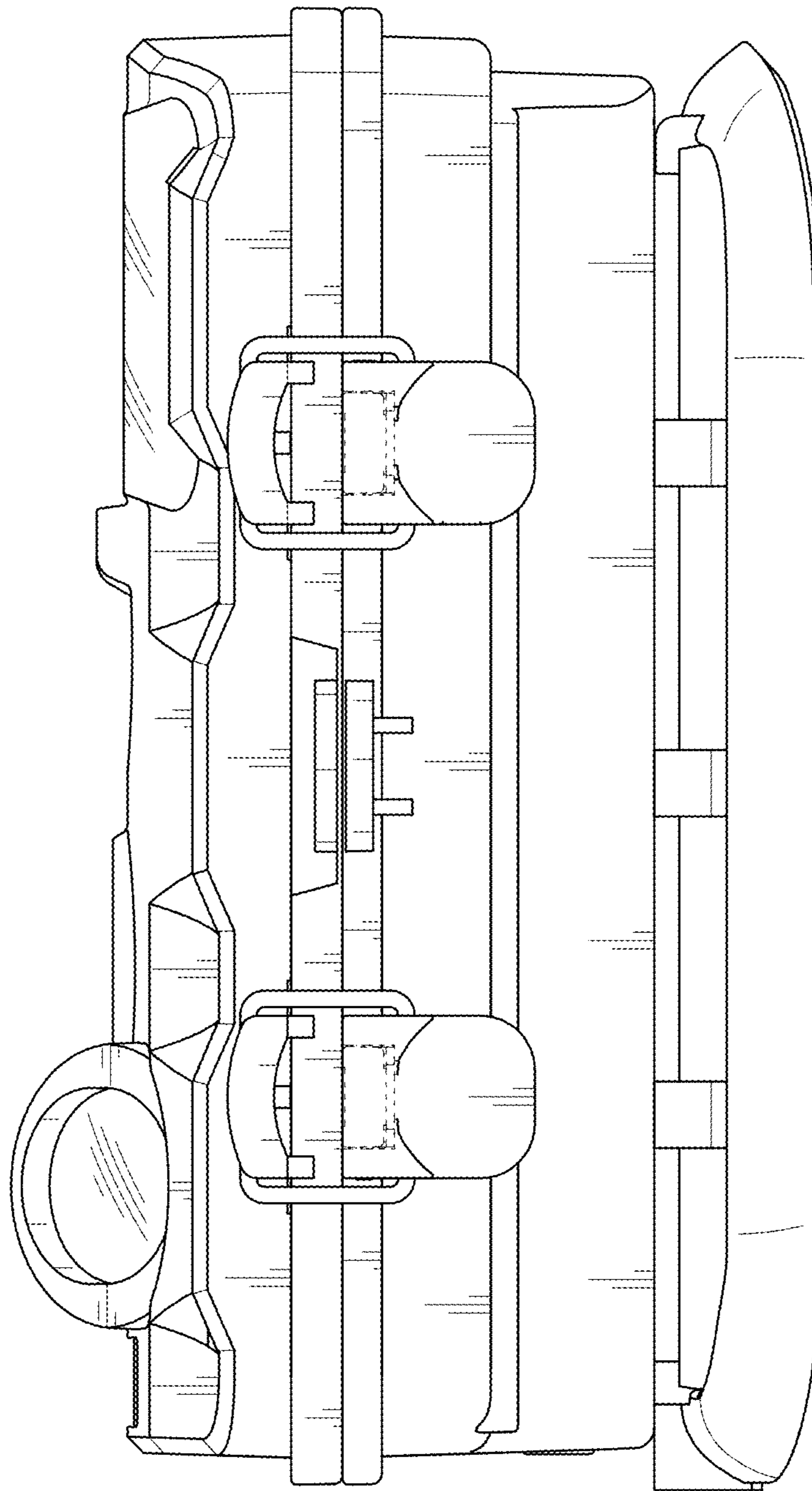


FIG. 4

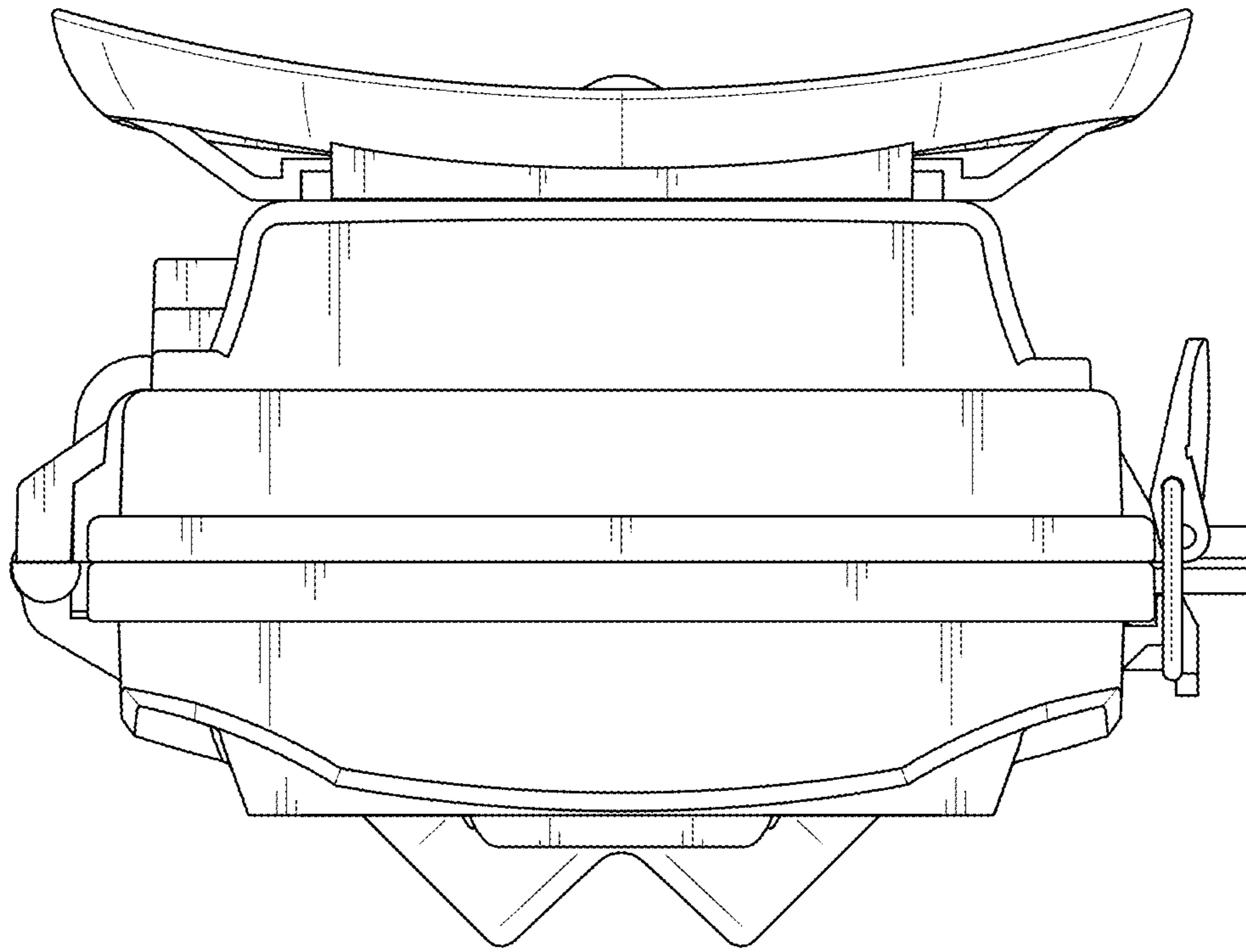


FIG. 5

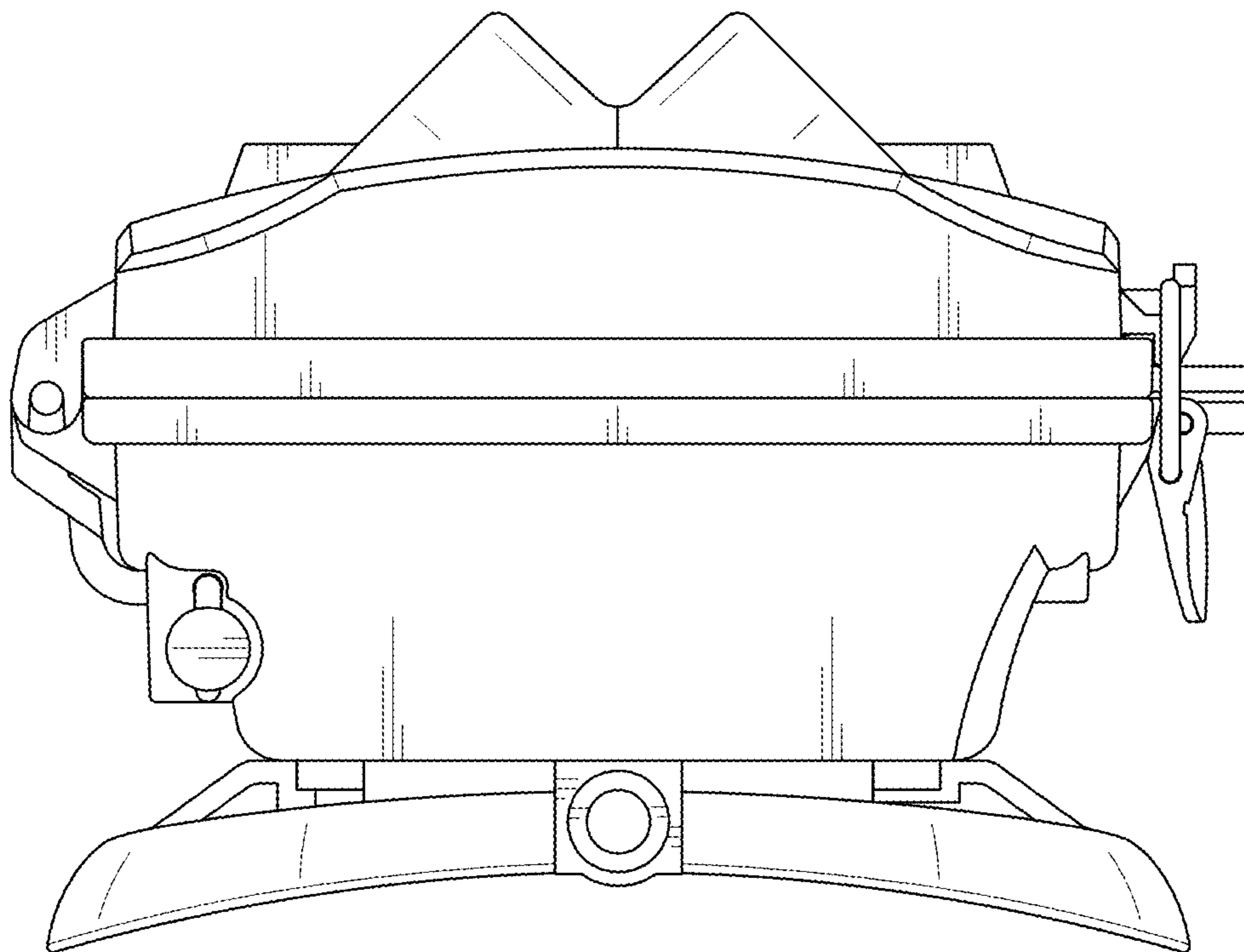


FIG. 6

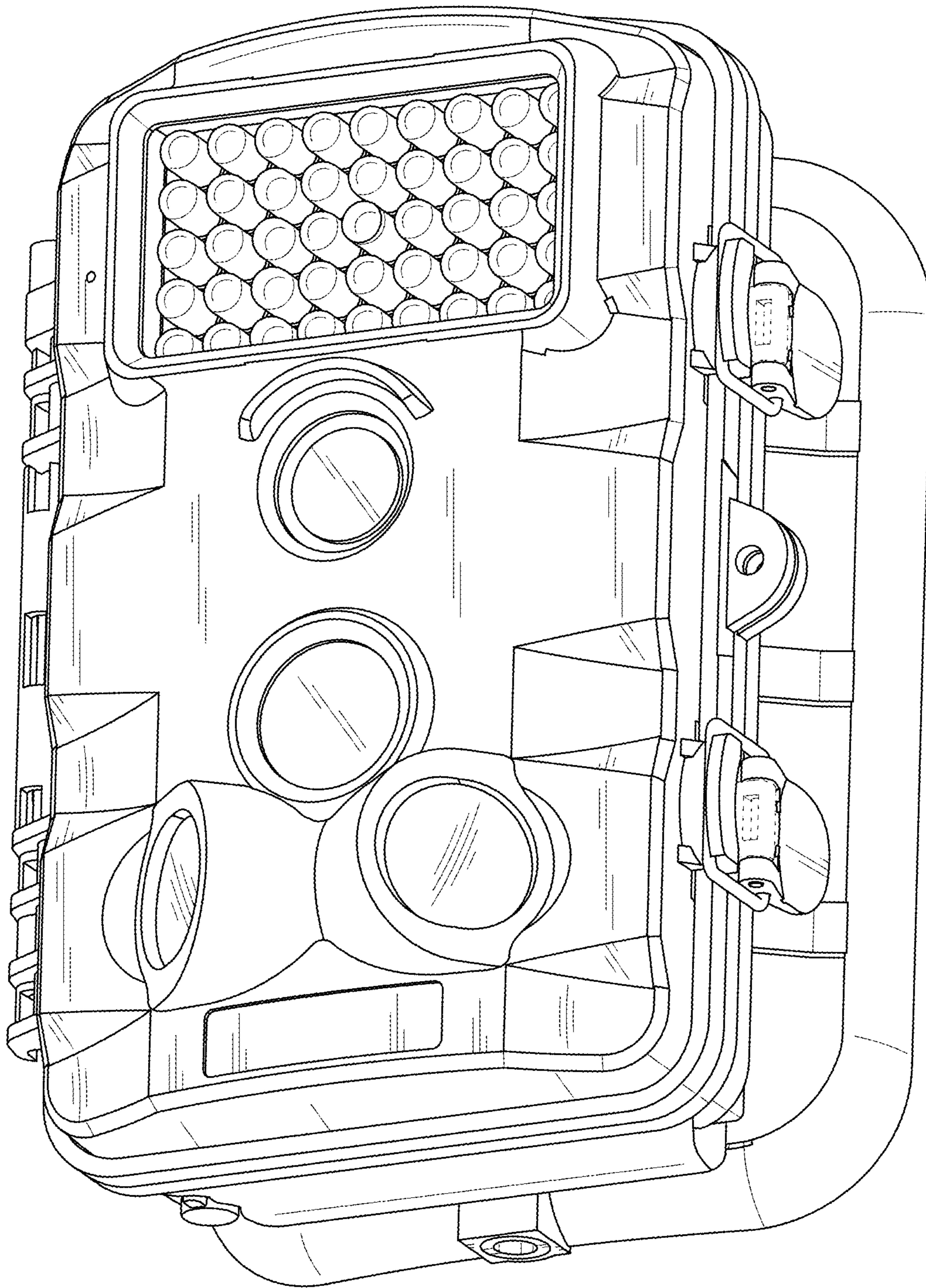


FIG. 7