



US00D884046S

(12) **United States Design Patent**
Hsu et al.

(10) **Patent No.:** **US D884,046 S**

(45) **Date of Patent:** **** May 12, 2020**

(54) **DRIVING RECORDER FOR A BICYCLE**

(71) Applicant: **Cansonic Inc.**, New Taipei (TW)

(72) Inventors: **Chao-Chih Hsu**, New Taipei (TW);
Hsuan-Ting Chu, New Taipei (TW)

(73) Assignee: **CANSONIC INC.**, New Taipei (TW)

(**) Term: **15 Years**

(21) Appl. No.: **29/680,062**

(22) Filed: **Feb. 13, 2019**

(51) **LOC (12) Cl.** **16-01**

(52) **U.S. Cl.**
USPC **D16/202; D16/208**

(58) **Field of Classification Search**
USPC D16/200, 202–206, 208, 218, 219;
348/373–376; 396/529–532, 535,
396/539–541
CPC G03B 17/02; G03B 19/04; G03B 17/56;
G03B 17/04; G03B 15/03; H04N 5/2251;
H04N 5/2252; H04N 5/2253; H04N
5/2254; H04N 7/141; H04N 7/142; H04N
7/147; H04N 7/148; H04N 7/15; H04N
7/152

See application file for complete search history.

(56) **References Cited**

U.S. PATENT DOCUMENTS

D390,858 S *	2/1998	Wen	D16/202
D434,057 S *	11/2000	Whitby	D16/202
D474,794 S *	5/2003	Ogura	D16/202
D523,886 S *	6/2006	Wen	D16/202
D529,529 S *	10/2006	Wen	D16/202
D540,360 S *	4/2007	Yamakawa	D16/203
D544,515 S *	6/2007	Walter	D16/203

D603,440 S *	11/2009	Alm	D16/203
D603,887 S *	11/2009	Alm	D16/203
D633,543 S *	3/2011	Park	D16/203
D732,100 S *	6/2015	Jeong	D16/203
D739,888 S *	9/2015	Liang	D16/203
D809,046 S *	1/2018	Hatcher	D16/202

* cited by examiner

Primary Examiner — Ramzi S Almatrahi

(74) *Attorney, Agent, or Firm* — Alan D. Kamrath; Mayer & Williams PC

(57) **CLAIM**

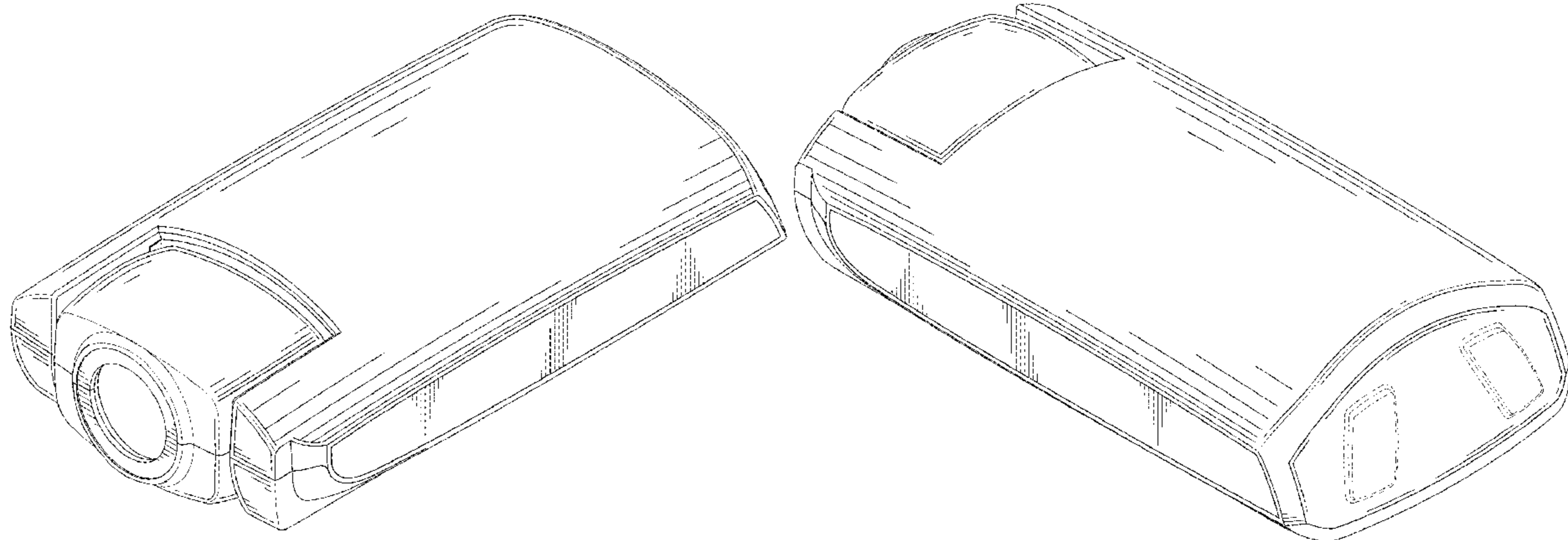
The ornamental design for a driving recorder for a bicycle, as shown and described.

DESCRIPTION

FIG. 1 is a front perspective view of a driving recorder for a bicycle showing our new design;
FIG. 2 is a rear perspective view thereof;
FIG. 3 is a front elevation view thereof;
FIG. 4 is a rear elevation view thereof;
FIG. 5 is a left side elevation view thereof;
FIG. 6 is a right side elevation view thereof;
FIG. 7 is a top plan view thereof;
FIG. 8 is a bottom plan view thereof; and,
FIG. 9 is a front perspective view thereof, shown in condition of use with a mount disclosed in broken lines to illustrate an environment.

The broken lines depict portions of the driving recorder for a bicycle in which the design is embodied that form no part of the claimed design. The broken lines showing a mount in FIG. 9 represent environmental structure and form no part of the claimed design.

1 Claim, 9 Drawing Sheets



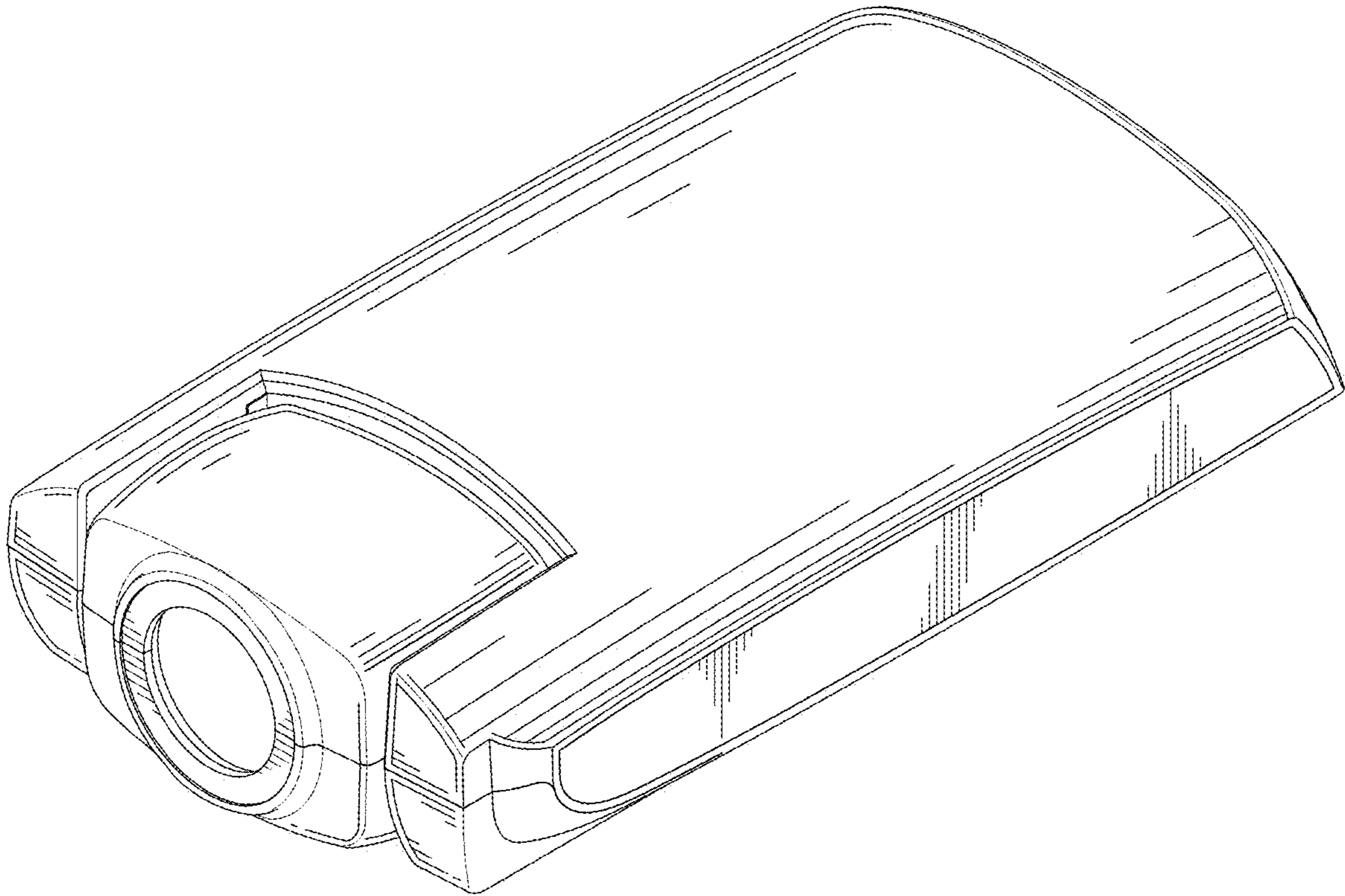


FIG. 1

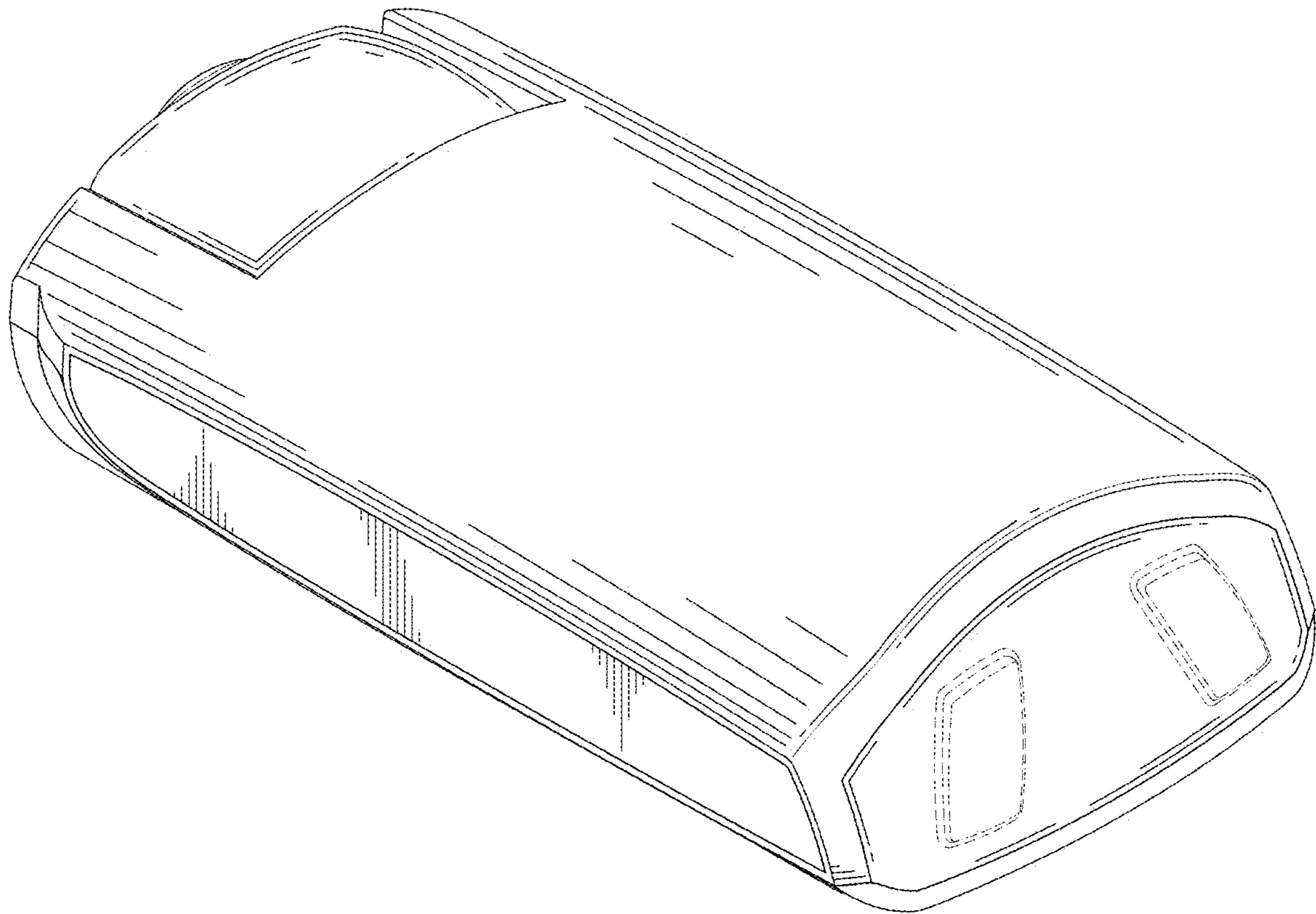


FIG. 2

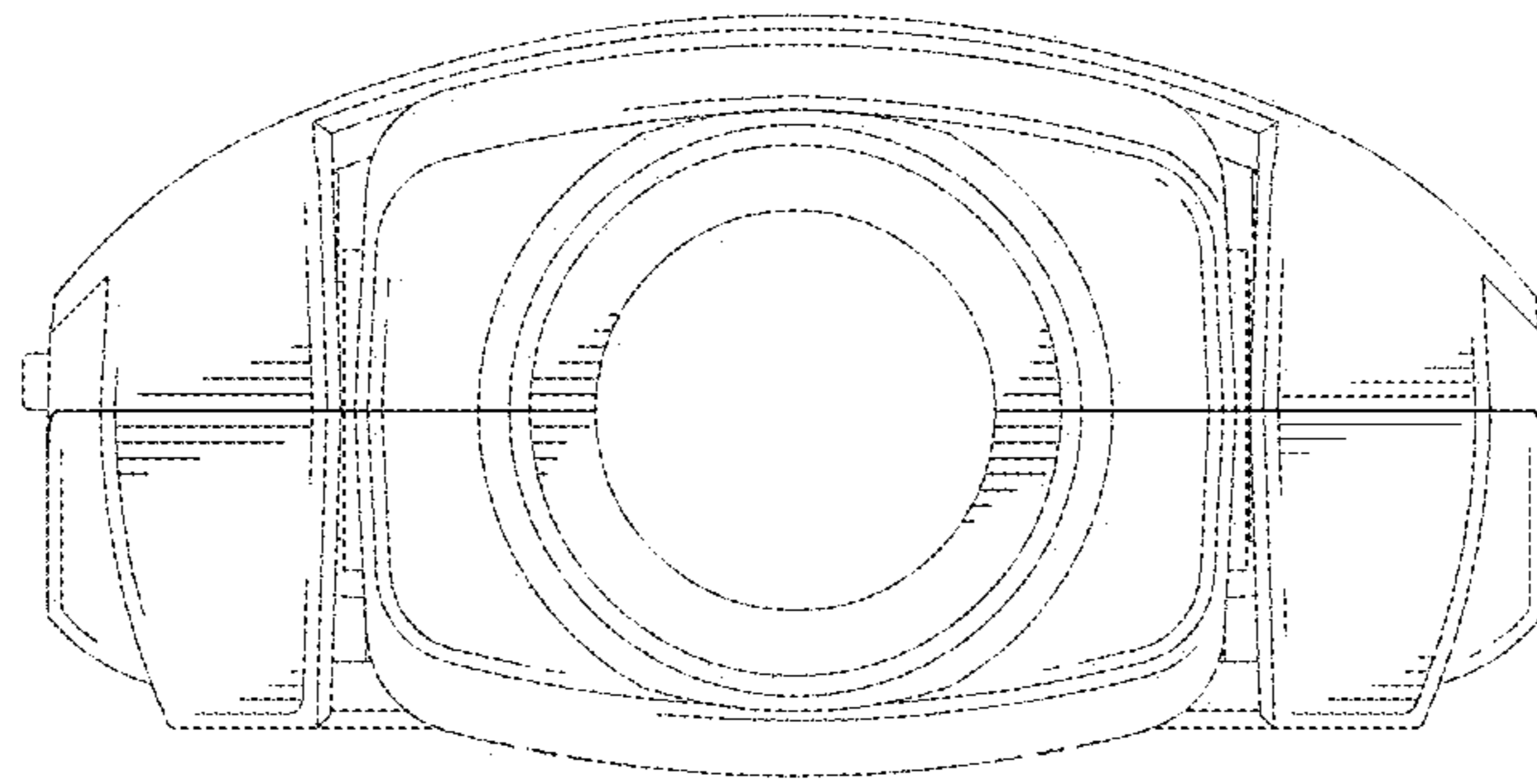


FIG. 3

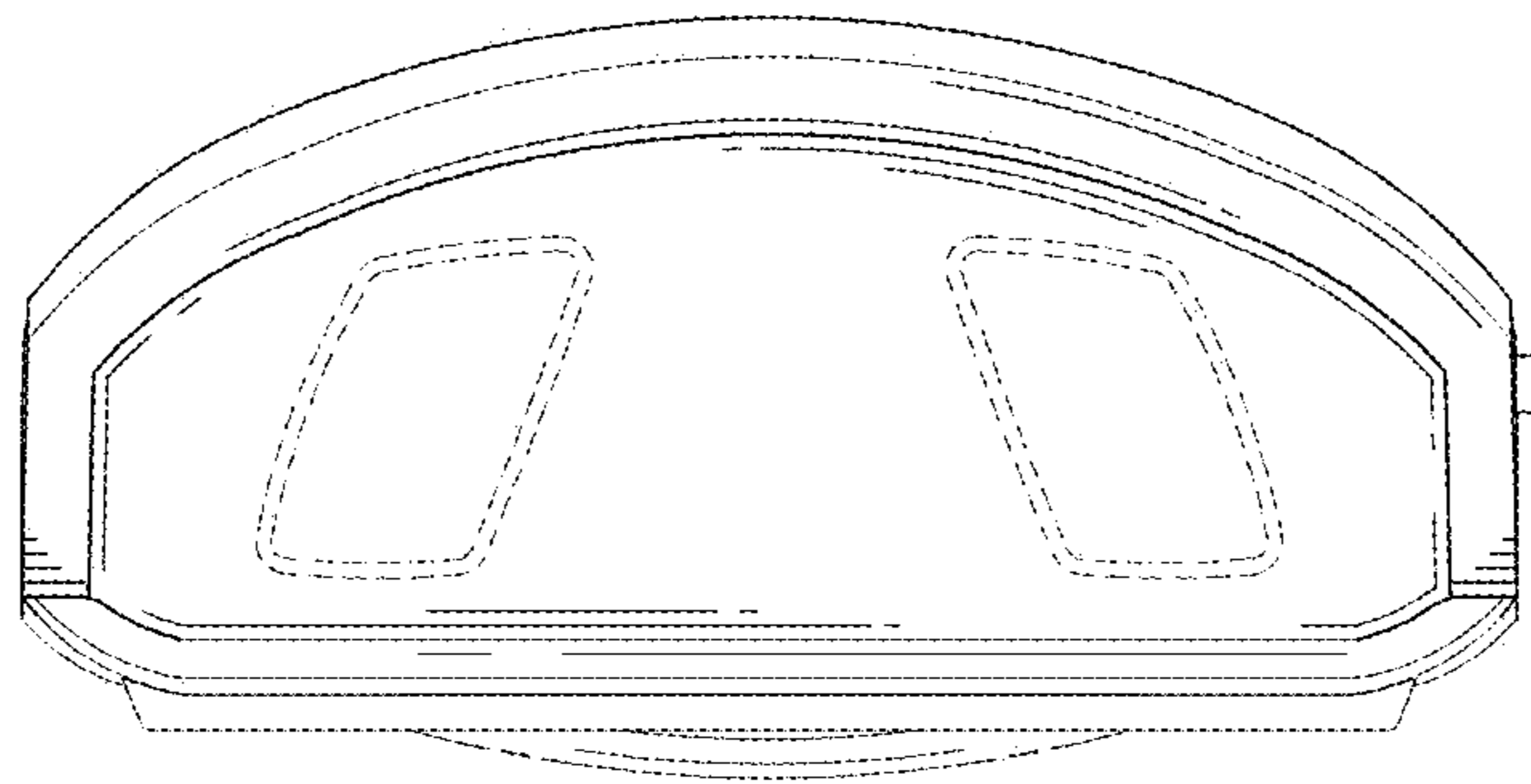


FIG. 4

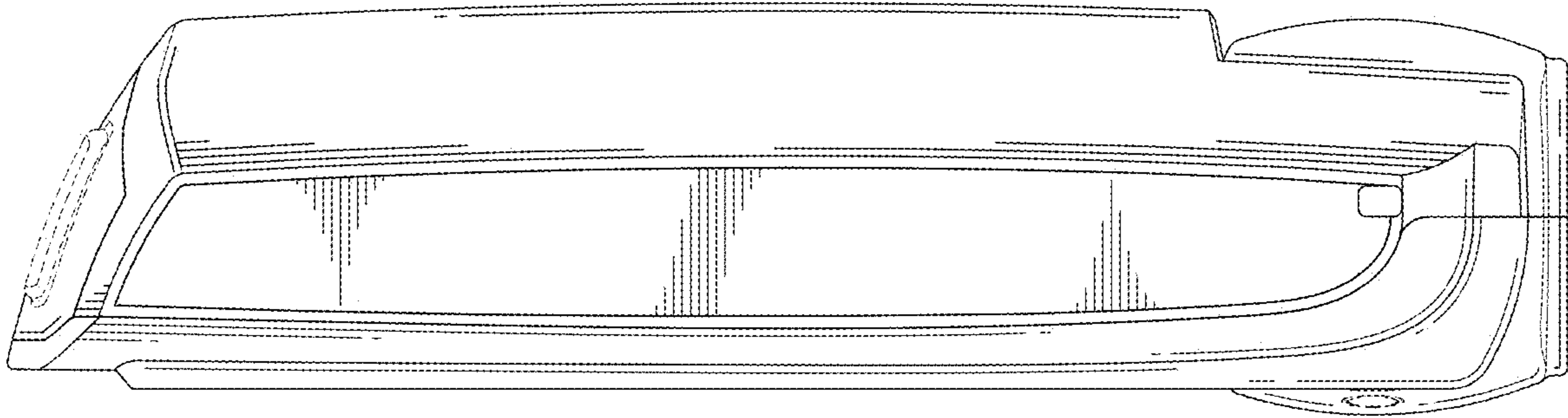


FIG. 5

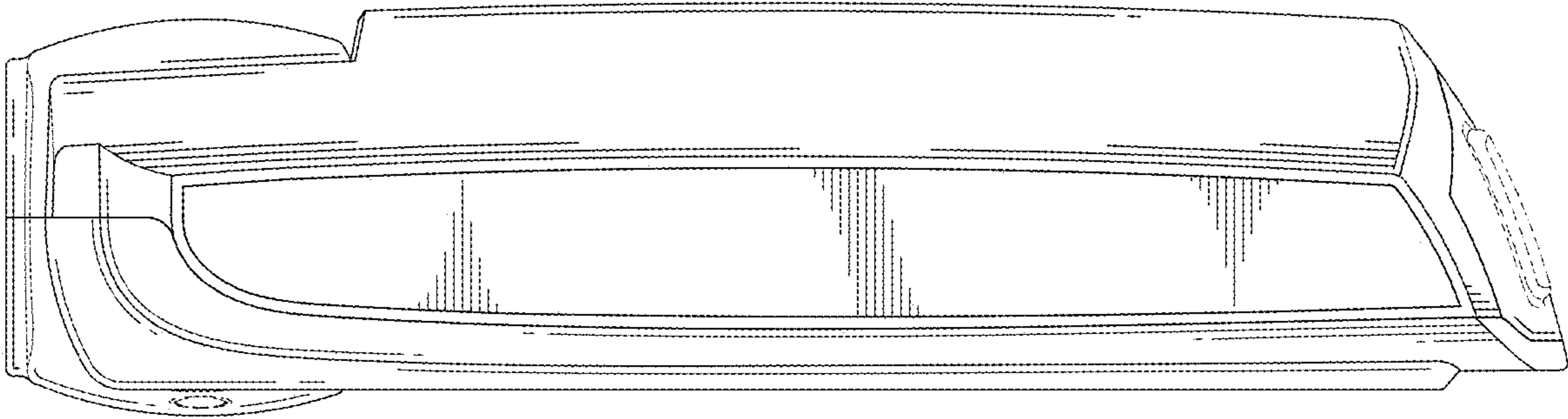


FIG. 6

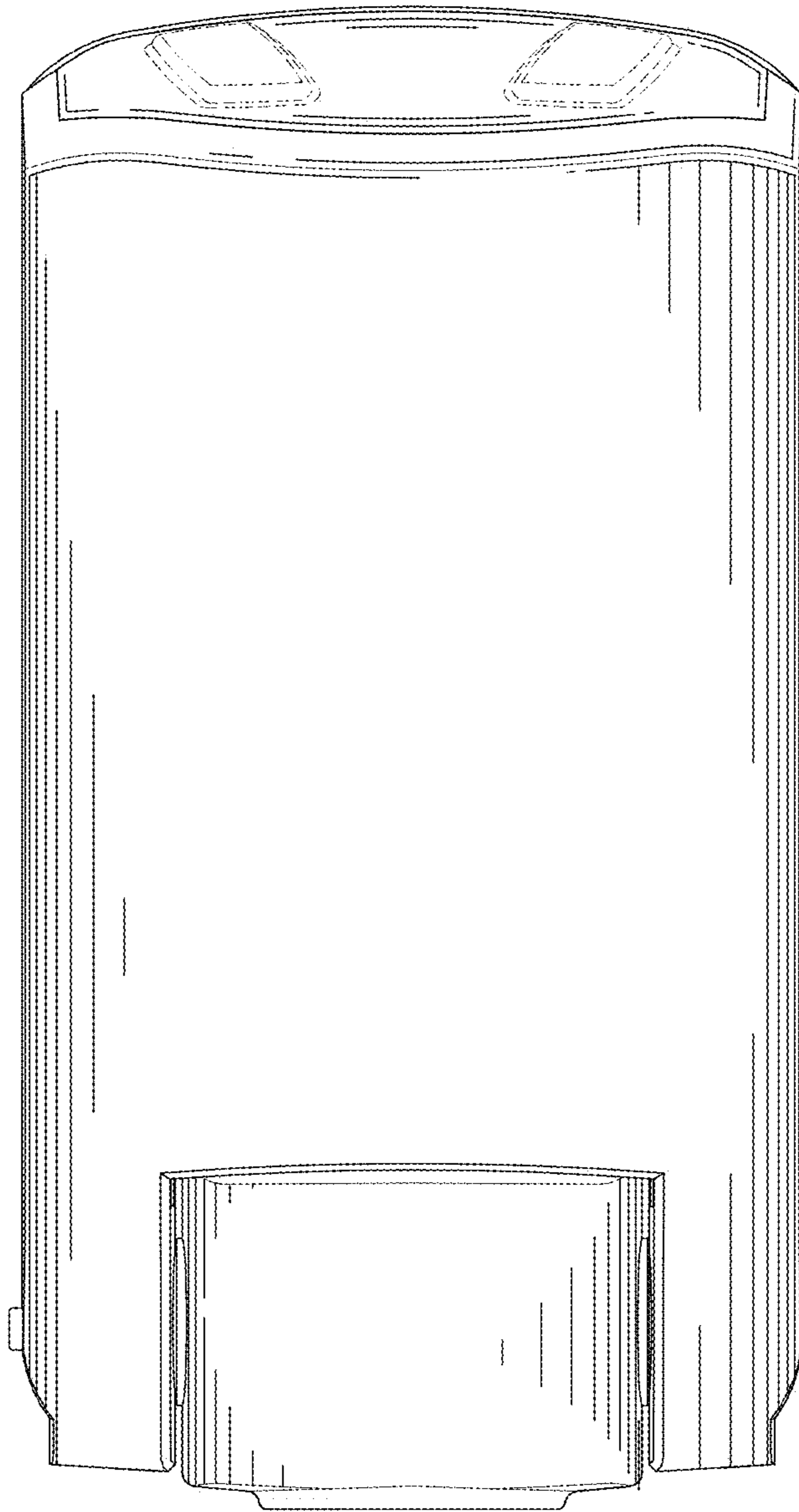


FIG. 7

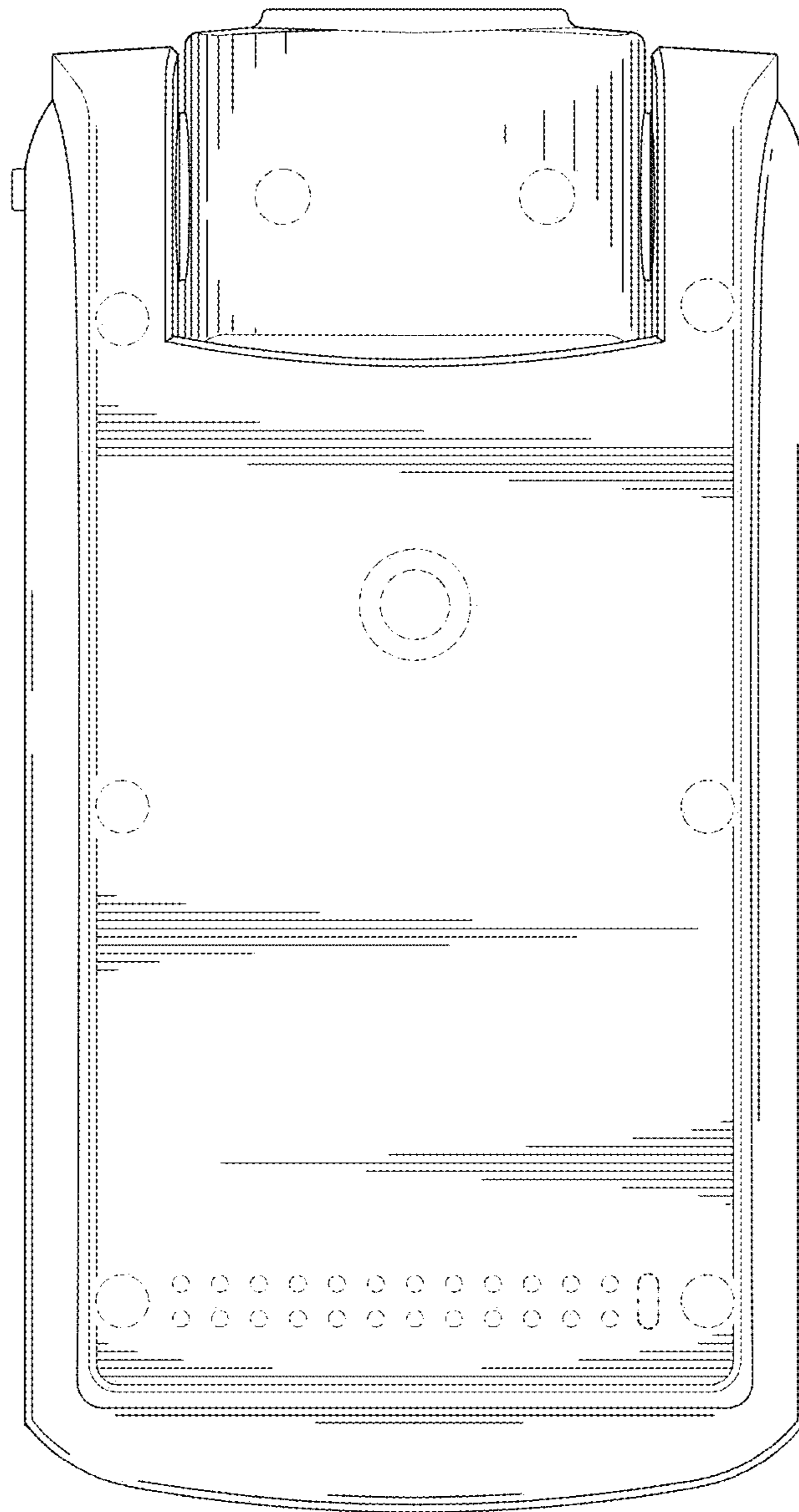


FIG. 8

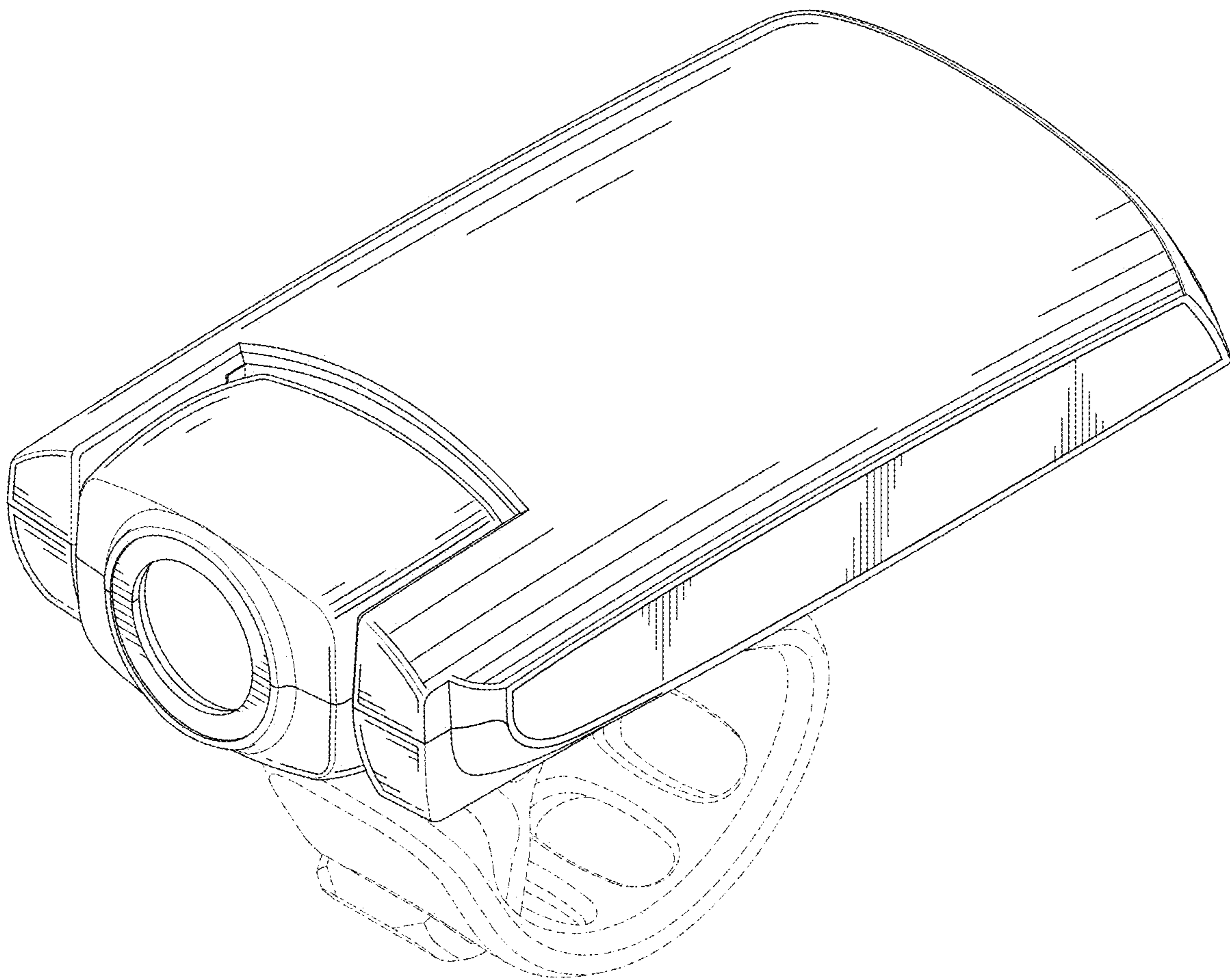


FIG. 9