



US00D884040S

(12) **United States Design Patent** (10) **Patent No.:** **US D884,040 S**  
**Endoh** (45) **Date of Patent:** **\*\* May 12, 2020**

(54) **CUTTING INSERT**

(71) Applicant: **OSG CORPORATION**, Toyokawa, Aichi (JP)

(72) Inventor: **Yasuyuki Endoh**, Toyohashi (JP)

(73) Assignee: **OSG CORPORATION**, Toyokawa (JP)

(\*\*) Term: **15 Years**

(21) Appl. No.: **29/682,542**

(22) Filed: **Mar. 6, 2019**

(30) **Foreign Application Priority Data**

Oct. 29, 2018 (JP) ..... 2018-023705

(51) **LOC (12) Cl.** ..... **15-09**

(52) **U.S. Cl.**  
USPC ..... **D15/139**

(58) **Field of Classification Search**

USPC ..... D8/20, 70; D15/126, 131, 138, 139, 140  
CPC . B23B 27/1622; B23B 2200/321; B23C 5/06;  
B23C 5/15; B23C 5/007; B23C 5/143;  
B23C 5/145; B23C 5/205; B23C 5/207;  
B23C 2200/048; B23C 2200/085; B23C  
2200/086; B23C 2200/087; B23C  
2200/125; B23C 2200/128; B23C  
2200/201; B23C 2200/204; B23C  
2200/362; B23C 2200/367; B23C  
2200/0416; B23C 2200/0422; B23C  
2200/0423; B23C 2200/0477; B23C  
2200/0494

See application file for complete search history.

(56) **References Cited**

U.S. PATENT DOCUMENTS

D772,319 S *	11/2016	Nam	.....	D15/139
D822,077 S *	7/2018	Takahashi	.....	D15/139
D847,883 S *	5/2019	Kobayashi	.....	D15/139
D852,245 S *	6/2019	Kobayashi	.....	B23C 5/1036
				D15/139
D852,246 S *	6/2019	Kobayashi	.....	D15/139
2011/0299945 A1 *	12/2011	Choi	.....	B23C 5/1036
				407/11

\* cited by examiner

*Primary Examiner* — Patricia A Palasik

(74) *Attorney, Agent, or Firm* — Oliff PLC

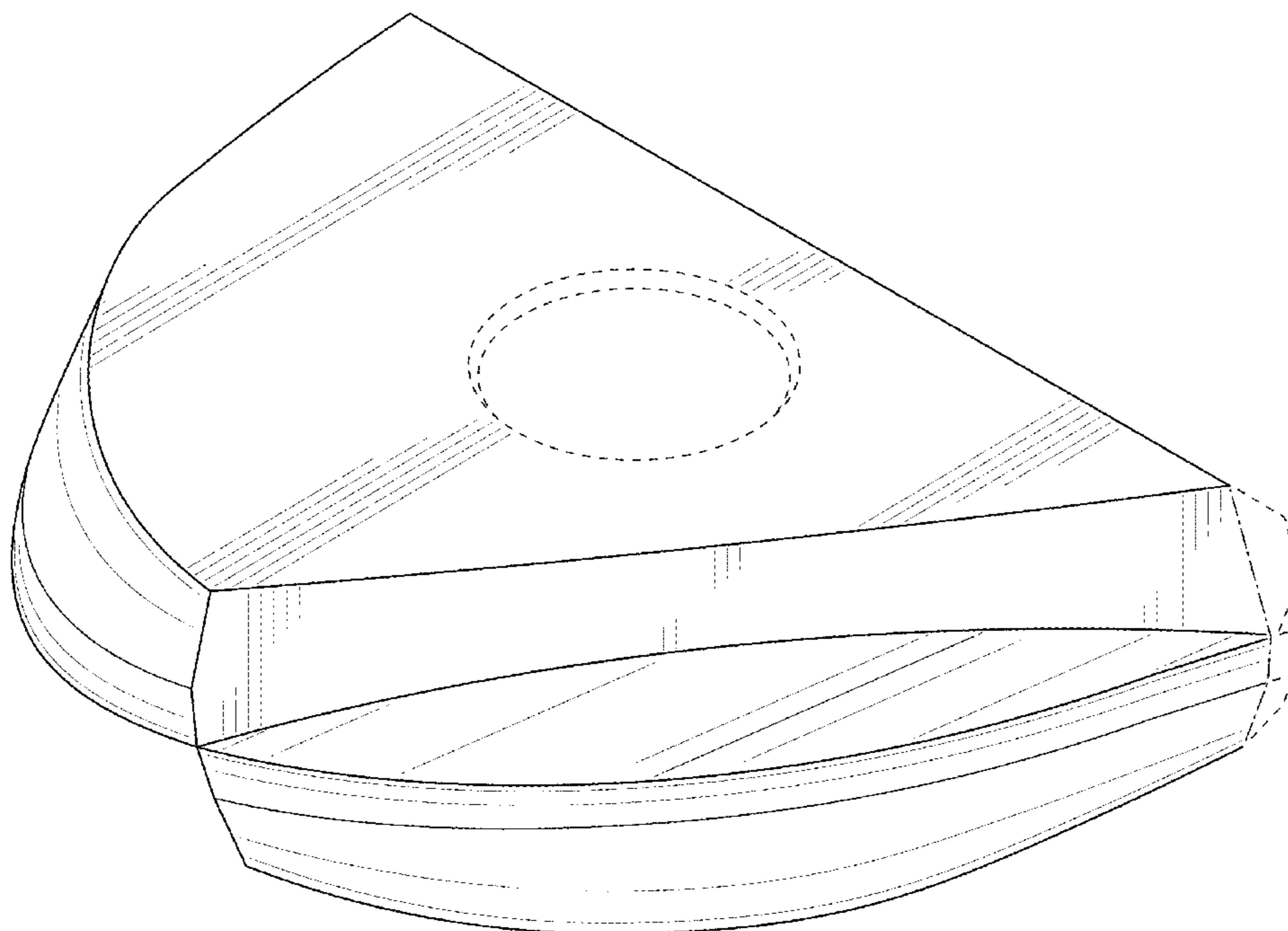
(57) **CLAIM**

The ornamental design for a cutting insert, as shown and described.

**DESCRIPTION**

FIG. 1 is a front, bottom, right-side perspective view of the cutting insert;  
FIG. 2 is a front view thereof;  
FIG. 3 is a rear view thereof;  
FIG. 4 is a left view thereof;  
FIG. 5 is a right view thereof;  
FIG. 6 is a top view thereof;  
FIG. 7 is a bottom view thereof;  
FIG. 8 is a cross-section along line "8-8" in FIG. 2; and,  
FIG. 9 is a cross-section along line "9-9" in FIG. 2.  
The broken lines depict parts of the cutting insert that form no part of the claimed design. The dot-dash chain lines depict either (i) boundaries of the claimed subject matter that form no part of the claimed design, or (ii) cross-section indication lines that form no part of the claimed design.

**1 Claim, 7 Drawing Sheets**



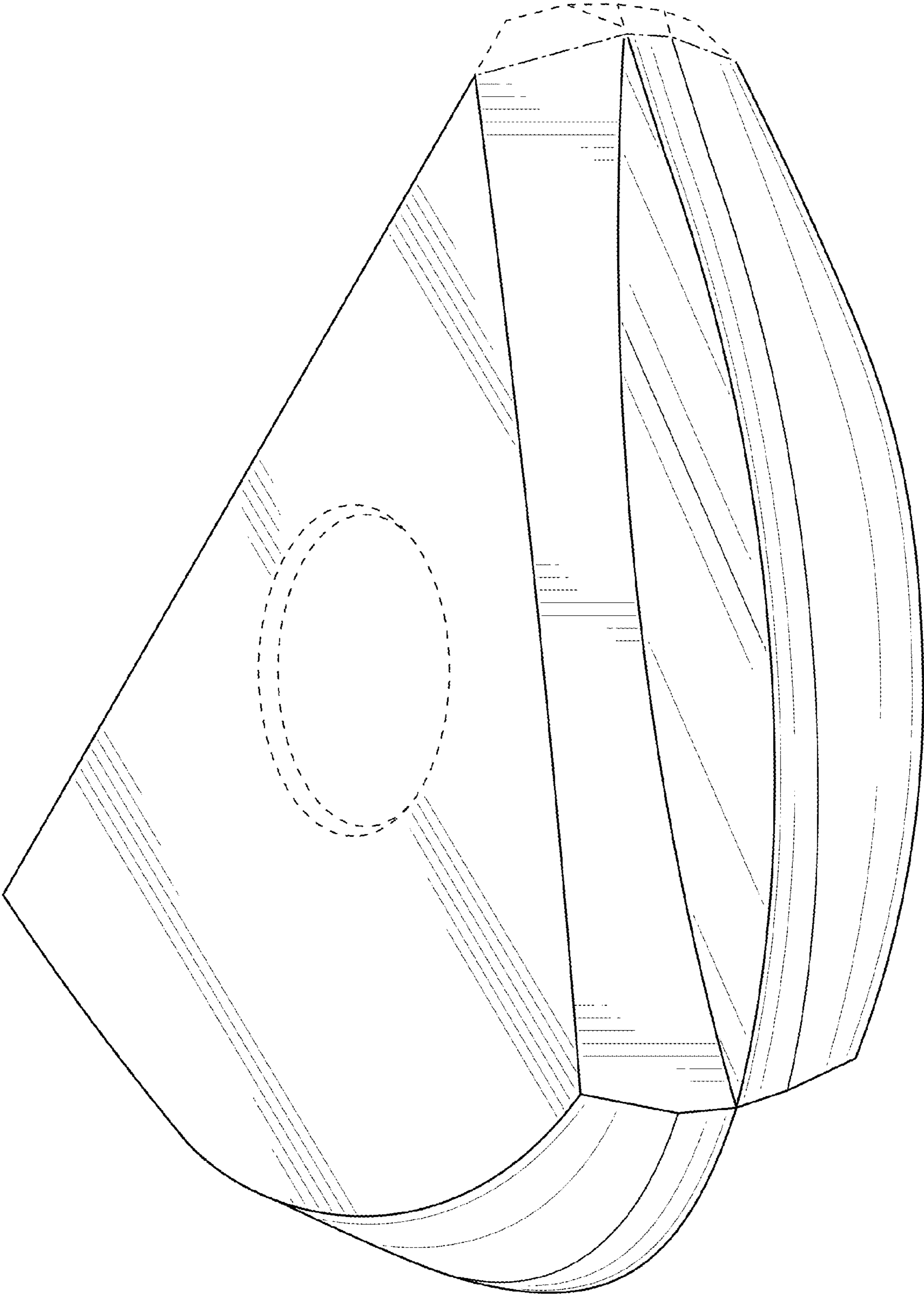
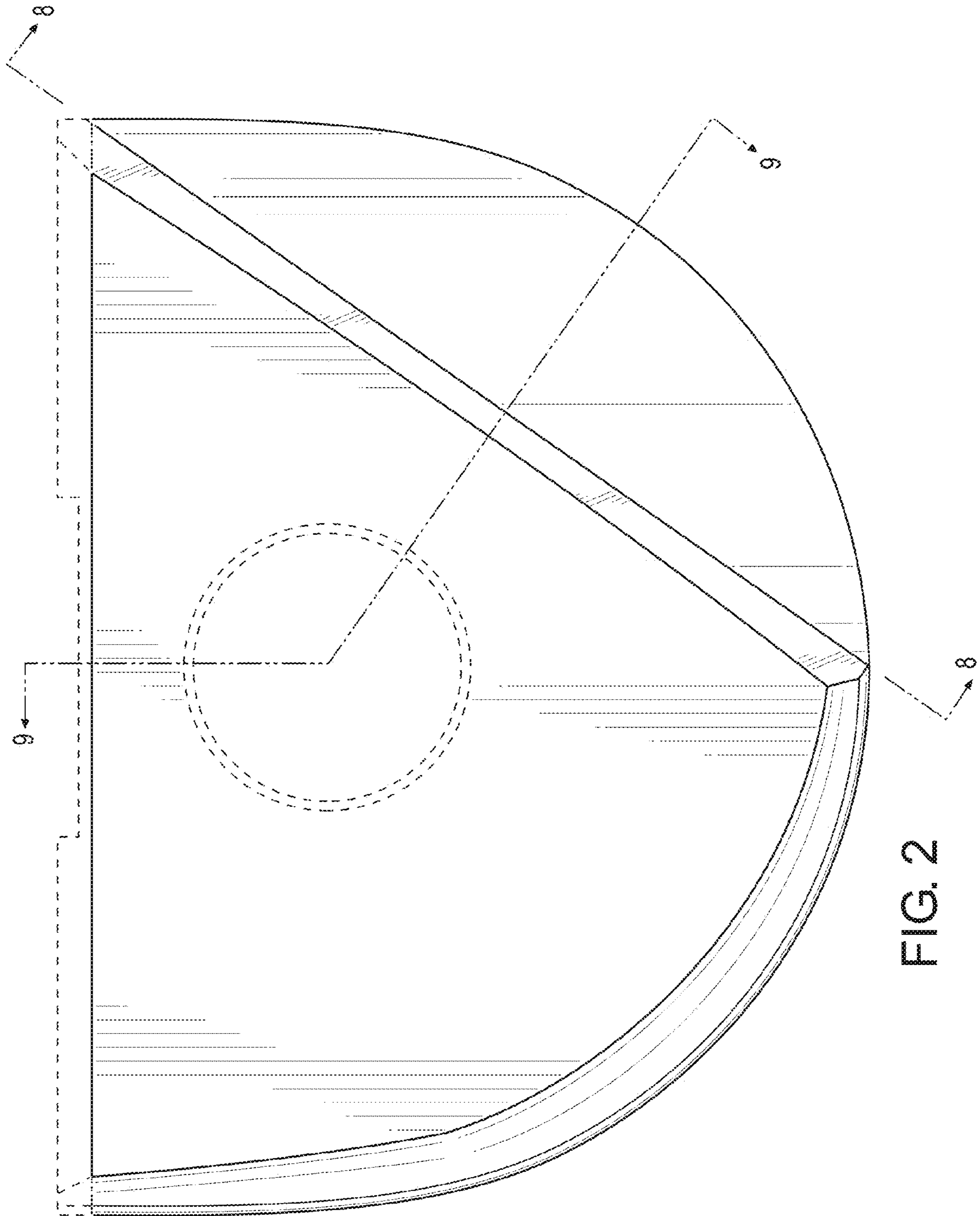


FIG. 1



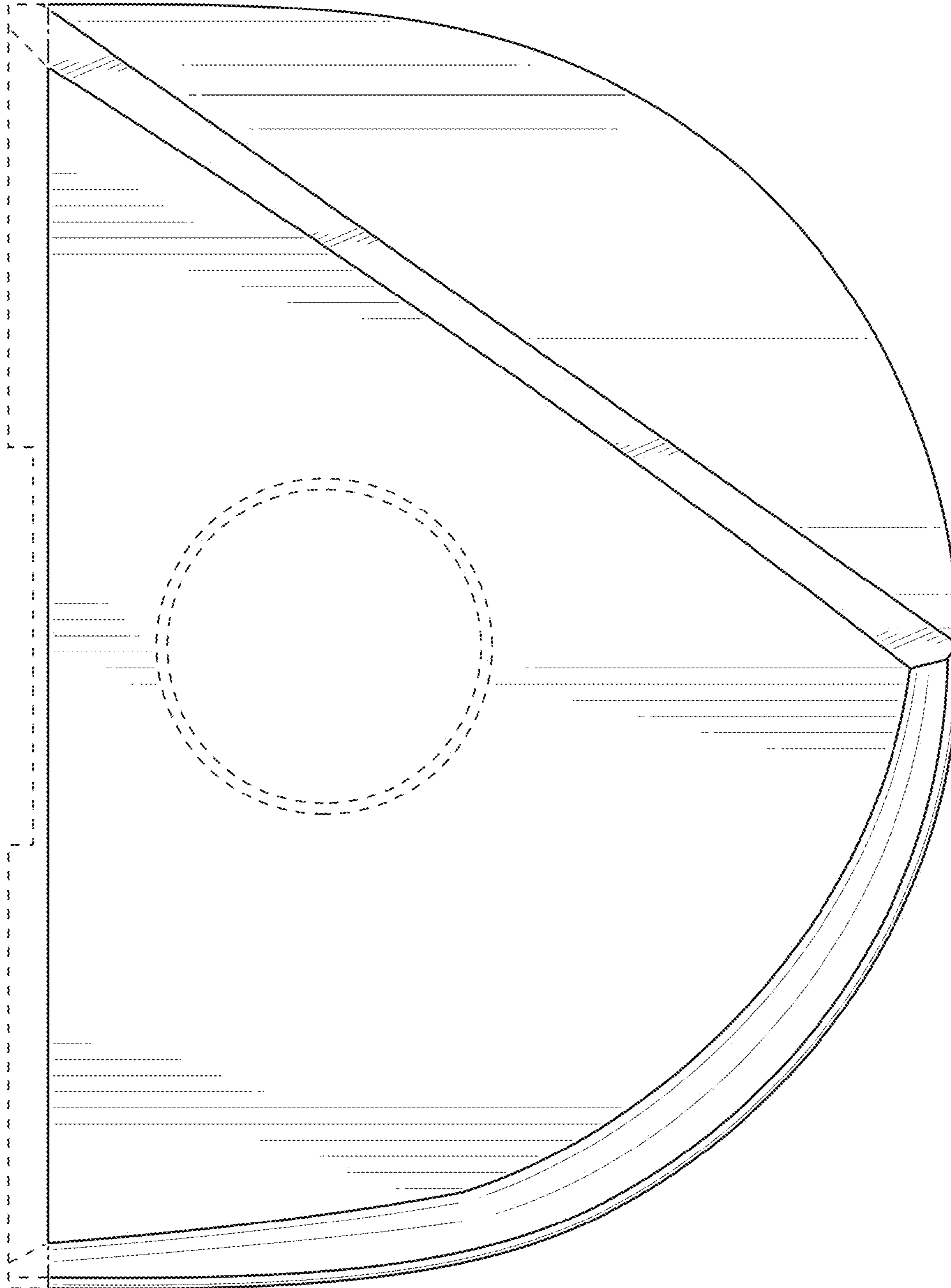


FIG. 3

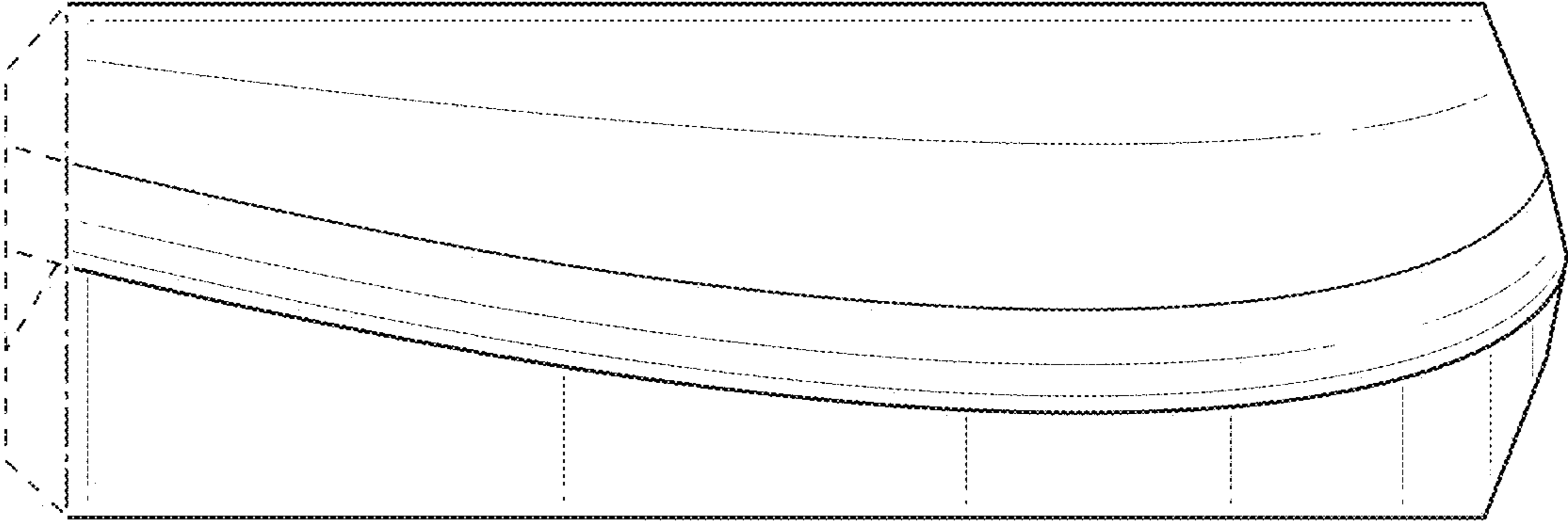


FIG. 5

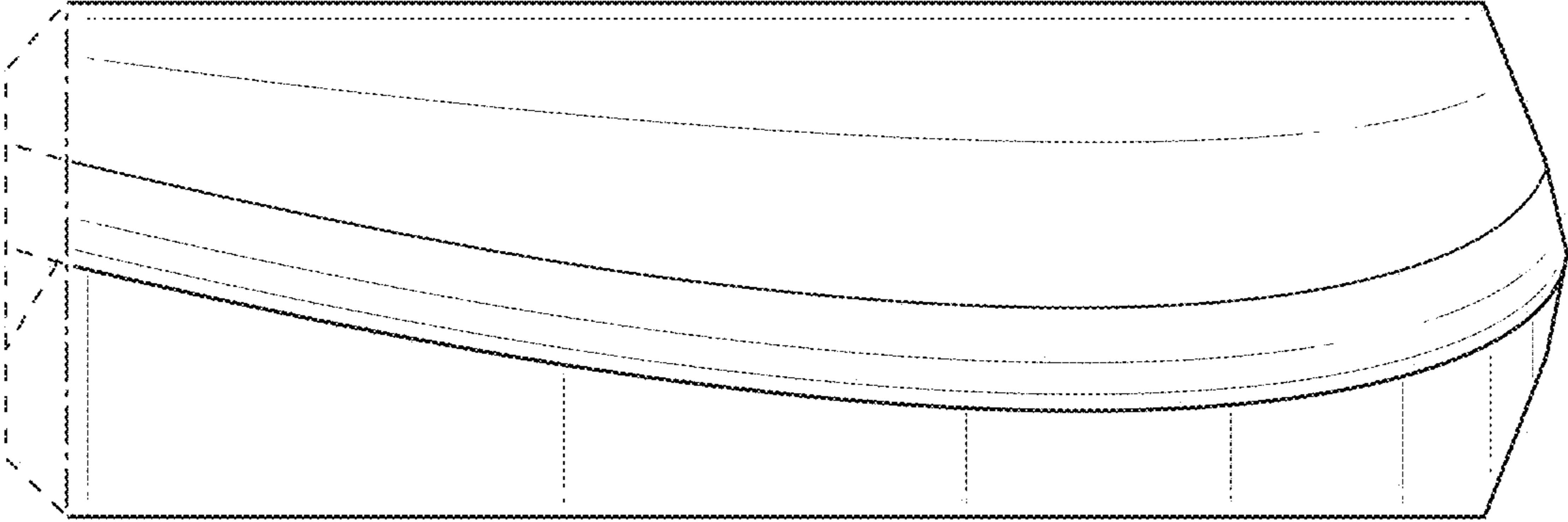


FIG. 4

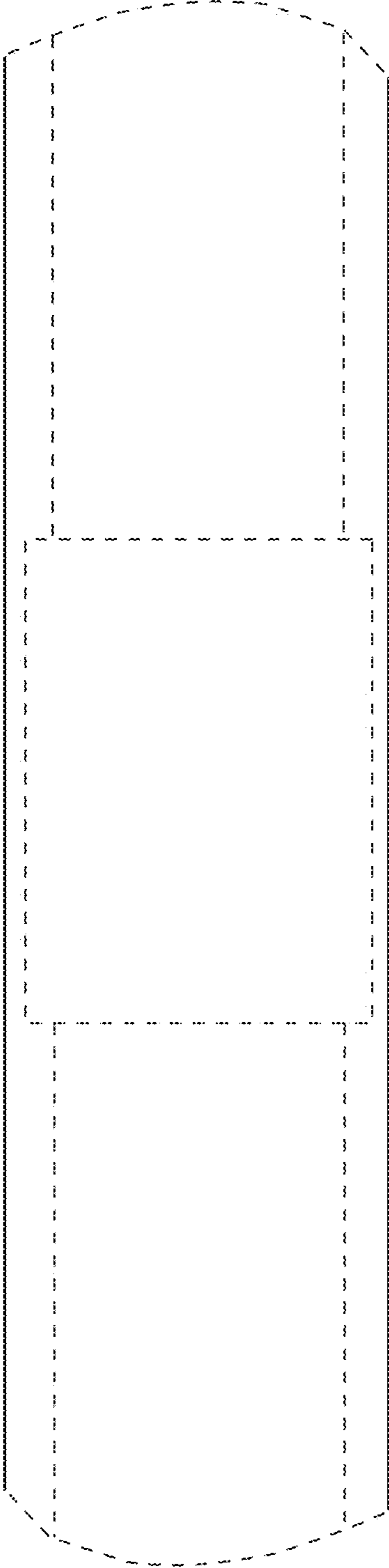


FIG. 6

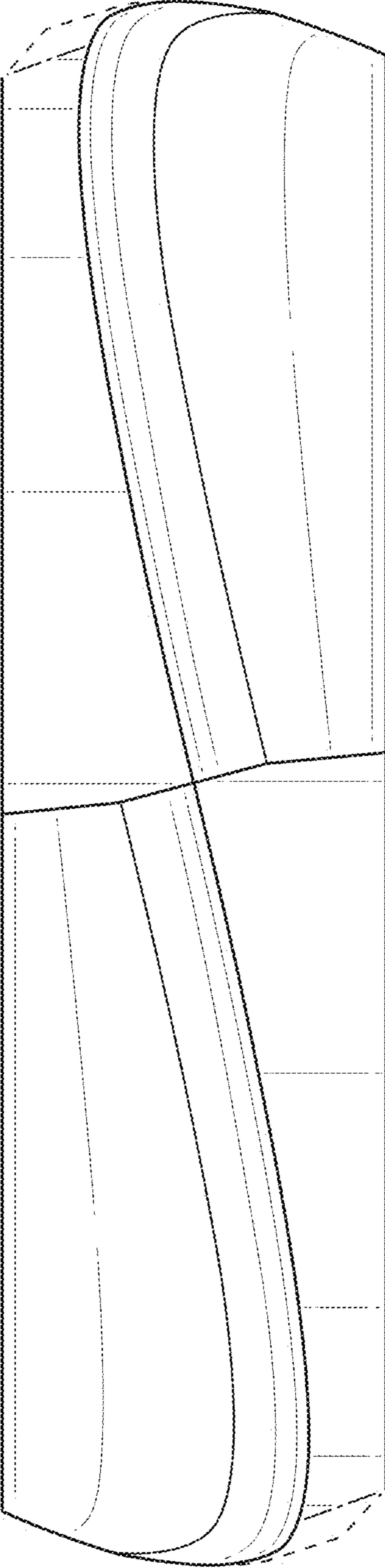


FIG. 7

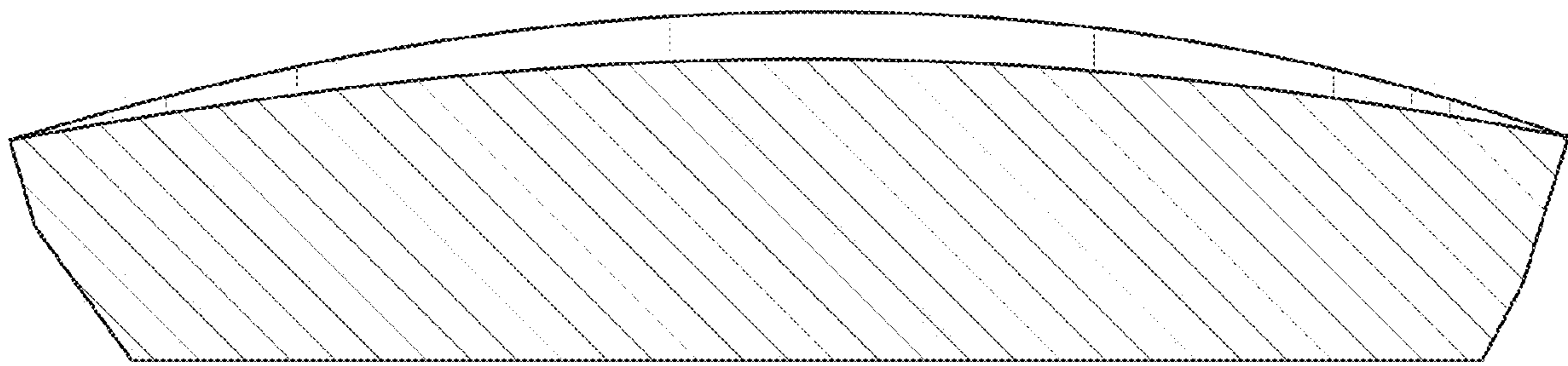


FIG. 8

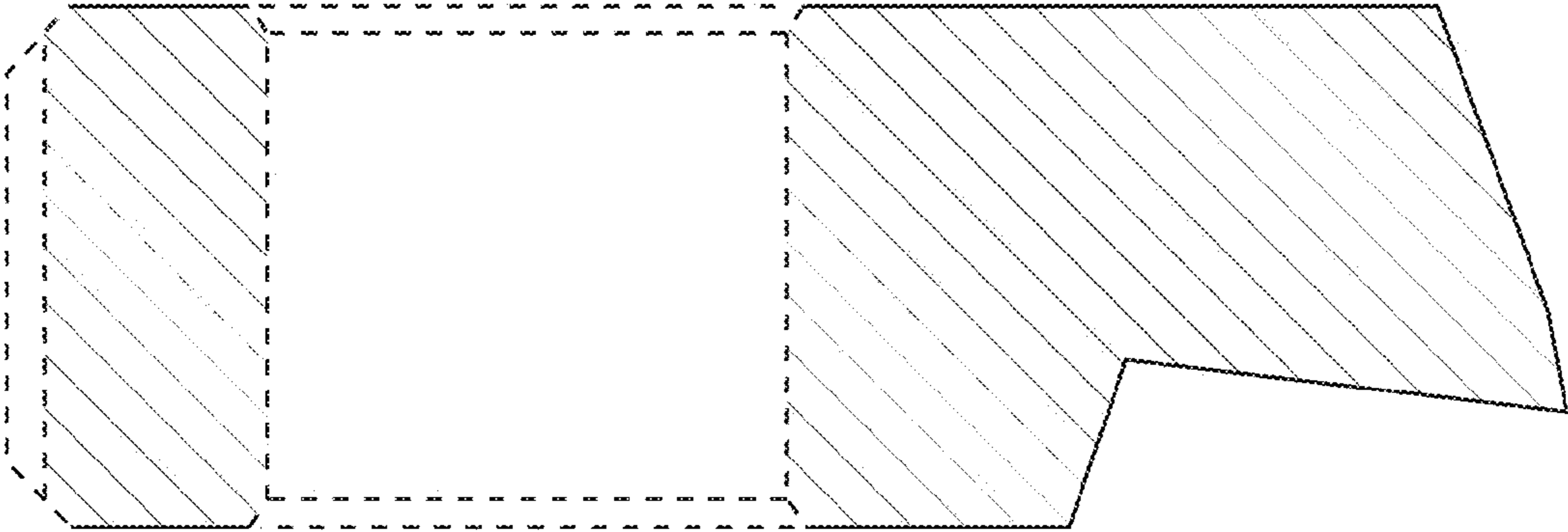


FIG. 9