



US00D884038S

(12) **United States Design Patent**  
**Lee et al.**

(10) **Patent No.:** **US D884,038 S**

(45) **Date of Patent:** **\*\* May 12, 2020**

(54) **DRAWER FOR REFRIGERATOR**

(71) Applicant: **Samsung Electronics Co., Ltd.**,  
Suwon-si (KR)

(72) Inventors: **Junkyo Lee**, Seongnam-si (KR); **Selim Yoon**, Seongnam-si (KR)

(73) Assignee: **Samsung Electronics Co., Ltd.**,  
Suwon-si (KR)

(\*\*) Term: **15 Years**

(21) Appl. No.: **29/672,958**

(22) Filed: **Dec. 11, 2018**

(30) **Foreign Application Priority Data**

Jun. 11, 2018 (KR) ..... 30-2018-0026834

(51) **LOC (12) Cl.** ..... **15-07**

(52) **U.S. Cl.**  
USPC ..... **D15/89**

(58) **Field of Classification Search**  
USPC ..... D15/79-91

(Continued)

(56) **References Cited**

**U.S. PATENT DOCUMENTS**

D384,681 S \* 10/1997 Martin ..... D15/89  
D734,784 S \* 7/2015 Kim ..... D15/89

(Continued)

**FOREIGN PATENT DOCUMENTS**

KR 30-2001-0035909 11/2002  
KR 30-2003-0005730 6/2004  
KR 30-2012-0048439 9/2013  
KR 30-2013-0044405 10/2014  
KR 30-2014-0025347 6/2015

*Primary Examiner* — Khawaja Anwar

(74) *Attorney, Agent, or Firm* — NSIP Law

(57) **CLAIM**

We claim the ornamental design for a drawer for refrigerator, as shown and described.

**DESCRIPTION**

FIG. 1 is a front perspective view of a drawer for refrigerator showing our new design;

FIG. 2 is a front view thereof;

FIG. 3 is a rear view thereof;

FIG. 4 is a left-side view thereof;

FIG. 5 is a right-side view thereof;

FIG. 6 is a top view thereof;

FIG. 7 is a bottom view thereof; and,

FIG. 8 is a cross-sectional view taken along line 8-8 in FIG. 2;

FIG. 9 is a front perspective view of the drawer for refrigerator shown in a first alternate configuration;

FIG. 10 is a front view thereof;

FIG. 11 is a rear view thereof;

FIG. 12 is a left-side view thereof;

FIG. 13 is a right-side view thereof;

FIG. 14 is a top view thereof;

FIG. 15 is a bottom view thereof;

FIG. 16 is a cross-sectional view thereof taken along line 16-16 in FIG. 10;

FIG. 17 is a front perspective view of the drawer for refrigerator shown in a second alternate configuration;

FIG. 18 is a front view thereof;

FIG. 19 is a rear view thereof;

FIG. 20 is a left-side view thereof;

FIG. 21 is a right-side view thereof;

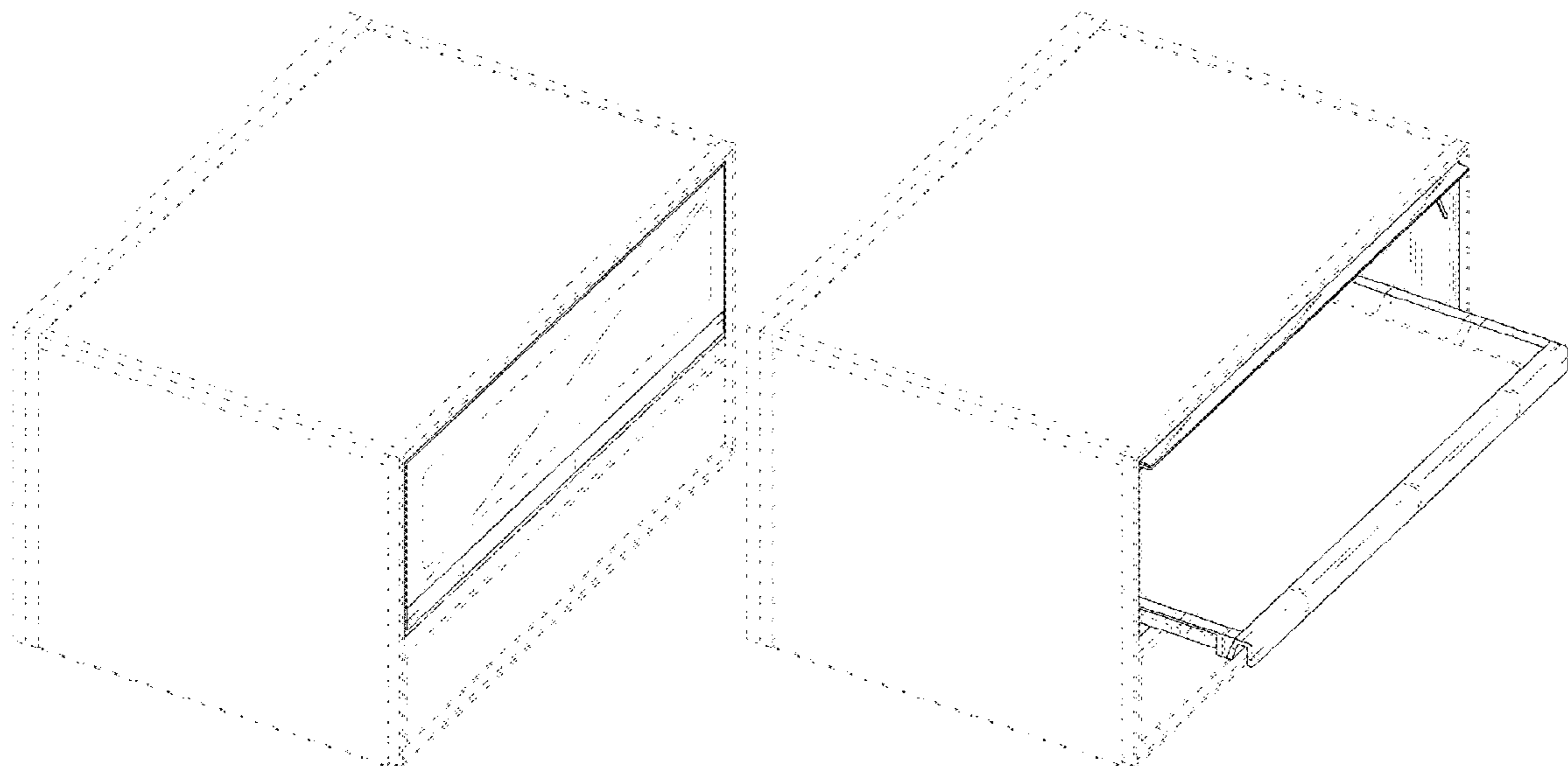
FIG. 22 is a top view thereof;

FIG. 23 is a bottom view thereof; and,

FIG. 24 is a cross-sectional view thereof taken along line 24-24 in FIG. 18.

The broken lines in the figures depict portions of the drawer for refrigerator which form no part of the claimed design. The dot-dash broken lines represent the boundaries of the claimed design and form no part thereof.

**1 Claim, 24 Drawing Sheets**



(58) **Field of Classification Search**

CPC .. F25D 11/00; F25D 17/065; F25D 2325/022;  
F25D 23/069; F25D 25/025; F25D 11/02;  
F25D 17/062; F25D 21/12; F25D 21/125;  
F25D 21/14; F25D 2317/061; F25D  
2317/067; F25D 2323/021; F25D  
2323/024; F25D 23/028; F25D 23/04;  
F25D 23/066; F25D 23/085; F25D  
23/087; F25D 23/126; F25D 2400/02;  
F25D 2400/06; F25D 2400/361; F25D  
2400/00; F25D 25/005; F25D 25/02;  
F25D 2600/02; F25D 2700/02; F25D  
2700/12; F25D 2700/121; F25D 2700/14;  
F25D 29/00

See application file for complete search history.

(56)

**References Cited**

U.S. PATENT DOCUMENTS

D734,785	S	*	7/2015	Lee	.....	D15/89
D735,251	S	*	7/2015	Jeon	.....	D15/89
D747,369	S	*	1/2016	McConnell	.....	D15/89
D747,372	S	*	1/2016	Kim	.....	D15/89
D748,165	S	*	1/2016	McConnell	.....	D15/89
D777,221	S	*	1/2017	Burke	..... F25D 25/021	D15/89
D777,226	S	*	1/2017	McConnell	.....	D15/89
D786,949	S	*	5/2017	Onrat	.....	D15/89
D806,765	S	*	1/2018	Kwon	.....	D15/89
D824,964	S	*	8/2018	Kim	.....	D15/89
D847,219	S	*	4/2019	Jeon	.....	D15/89

\* cited by examiner

FIG. 1

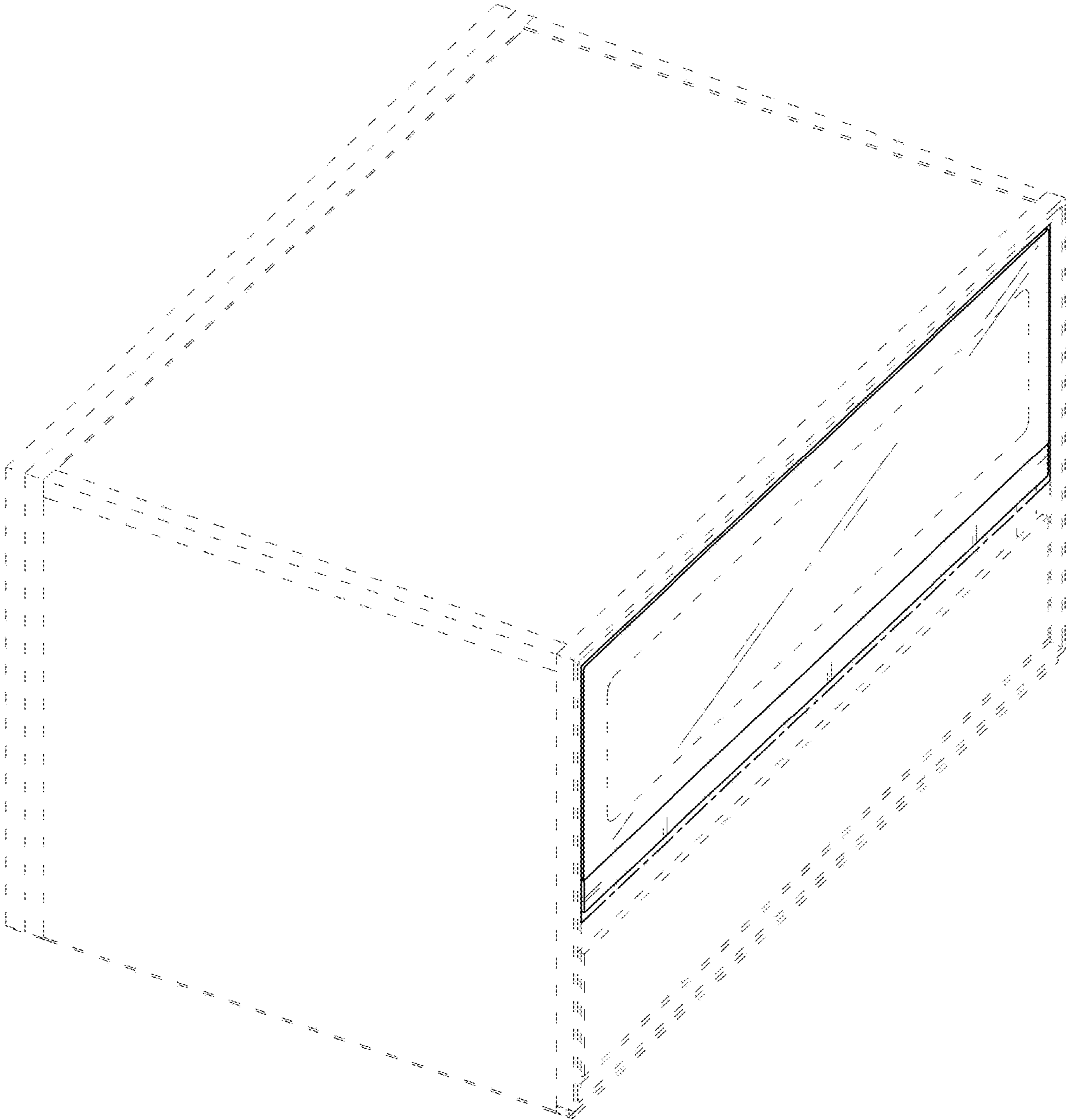


FIG. 2

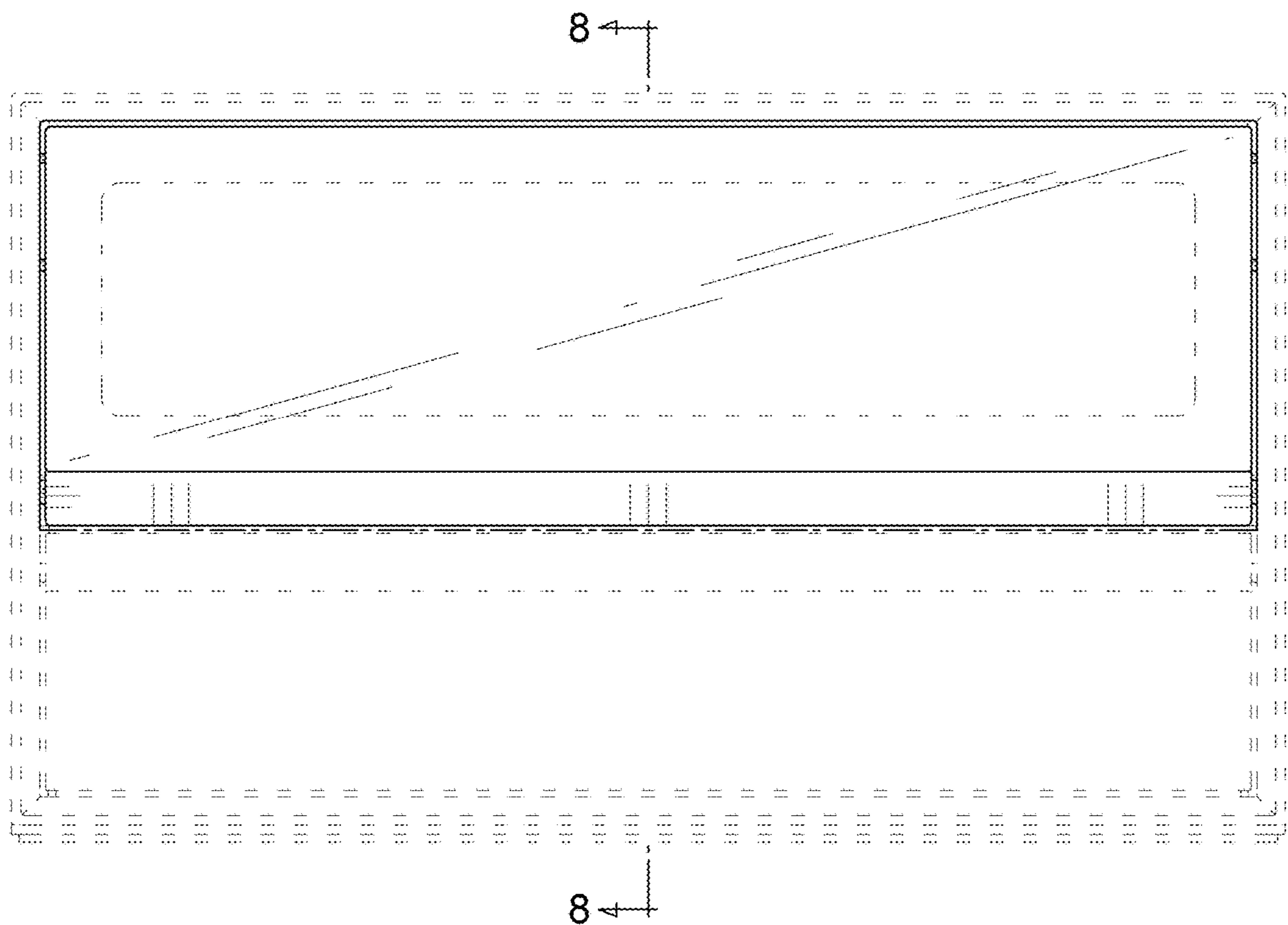


FIG. 3



FIG. 4



FIG. 5



FIG. 6

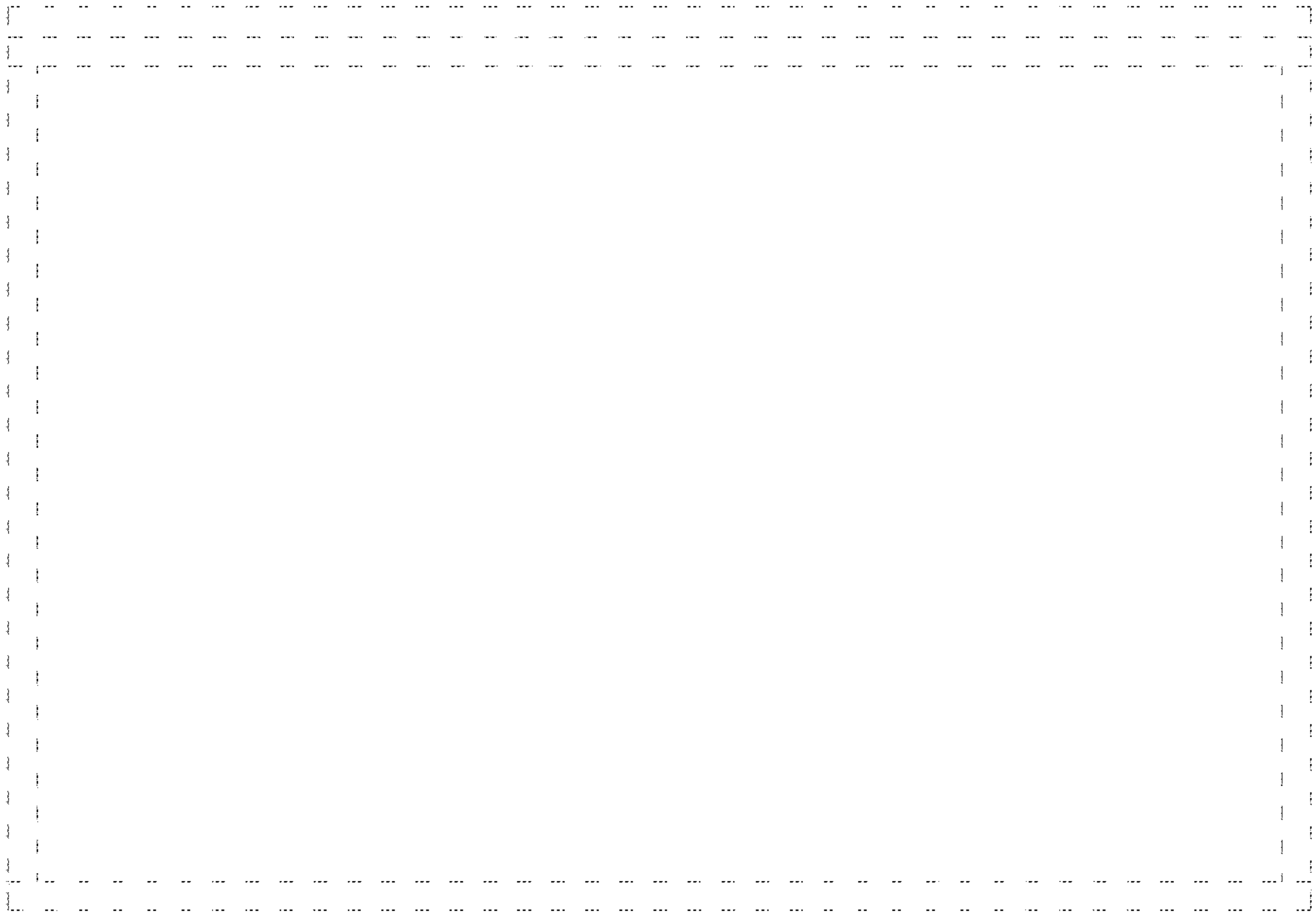




FIG. 7

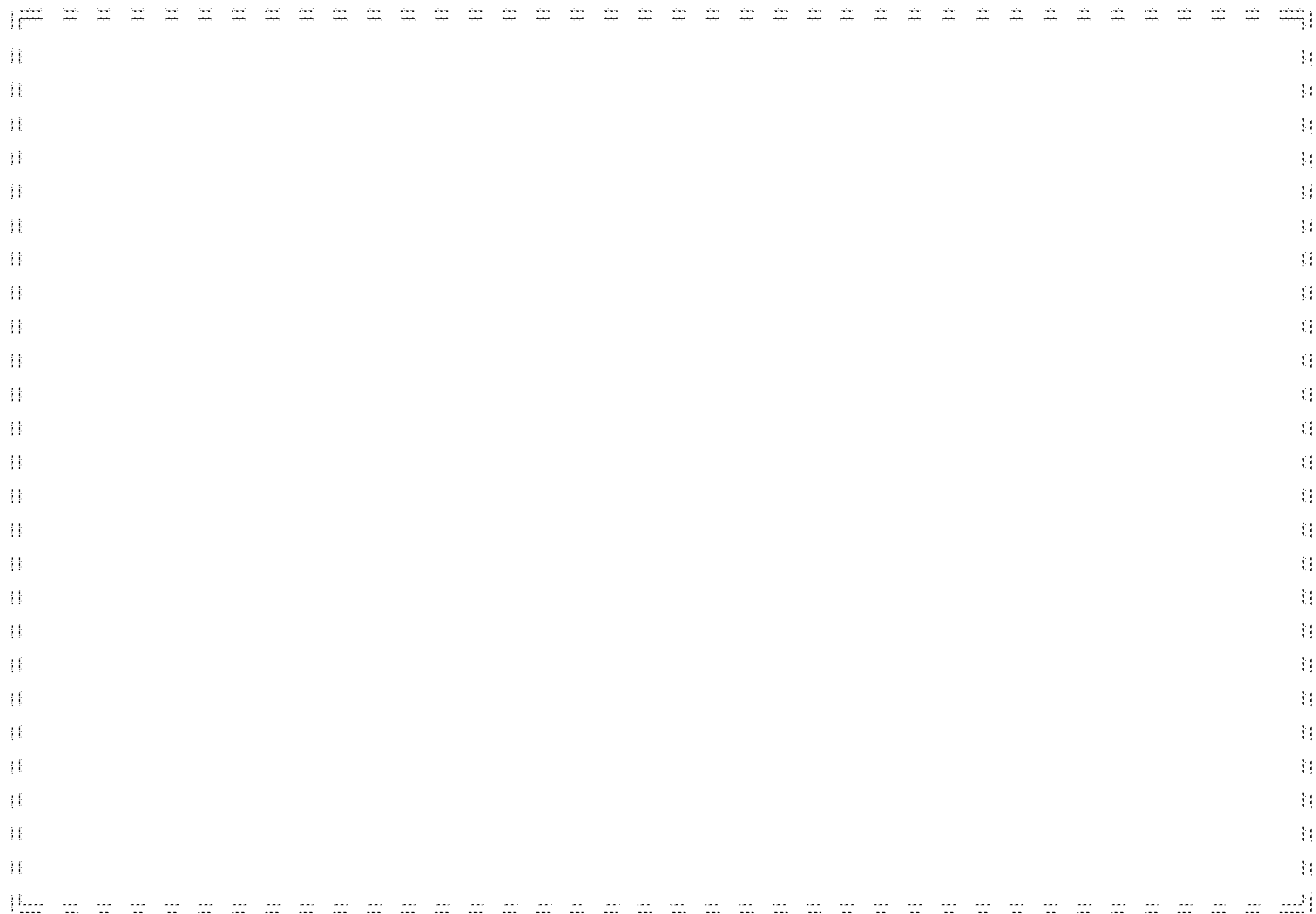


FIG. 8

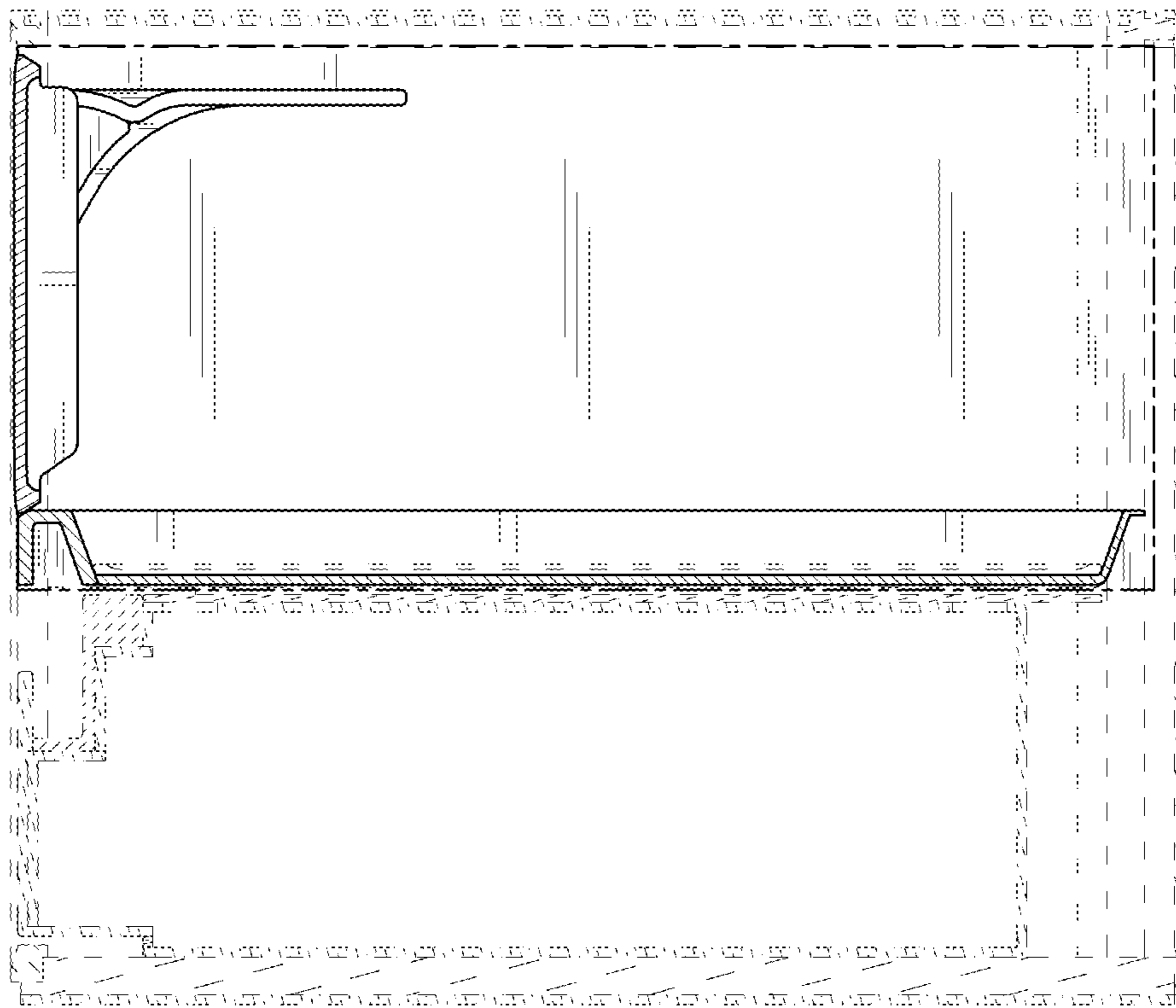


FIG. 9

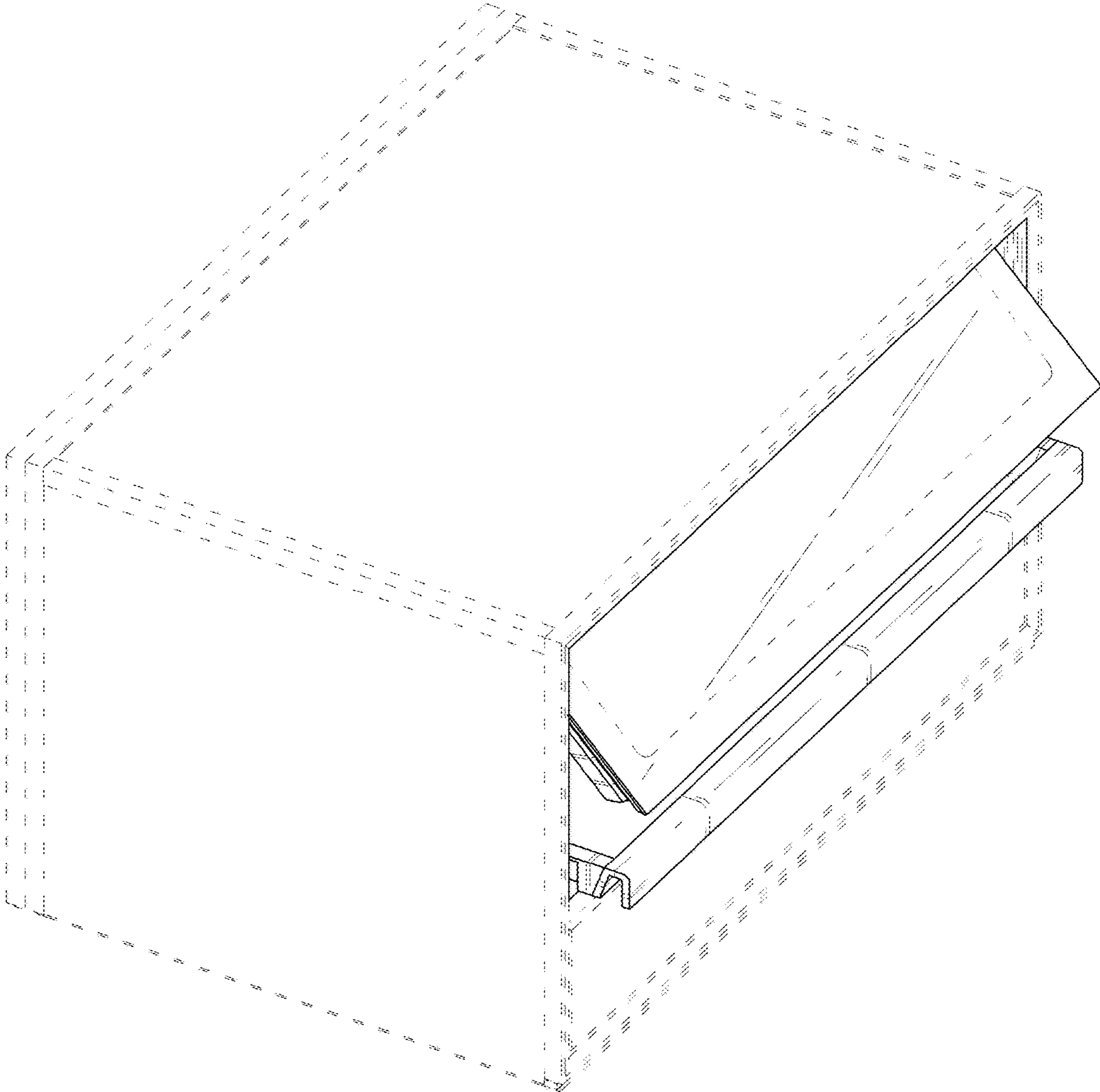


FIG. 10

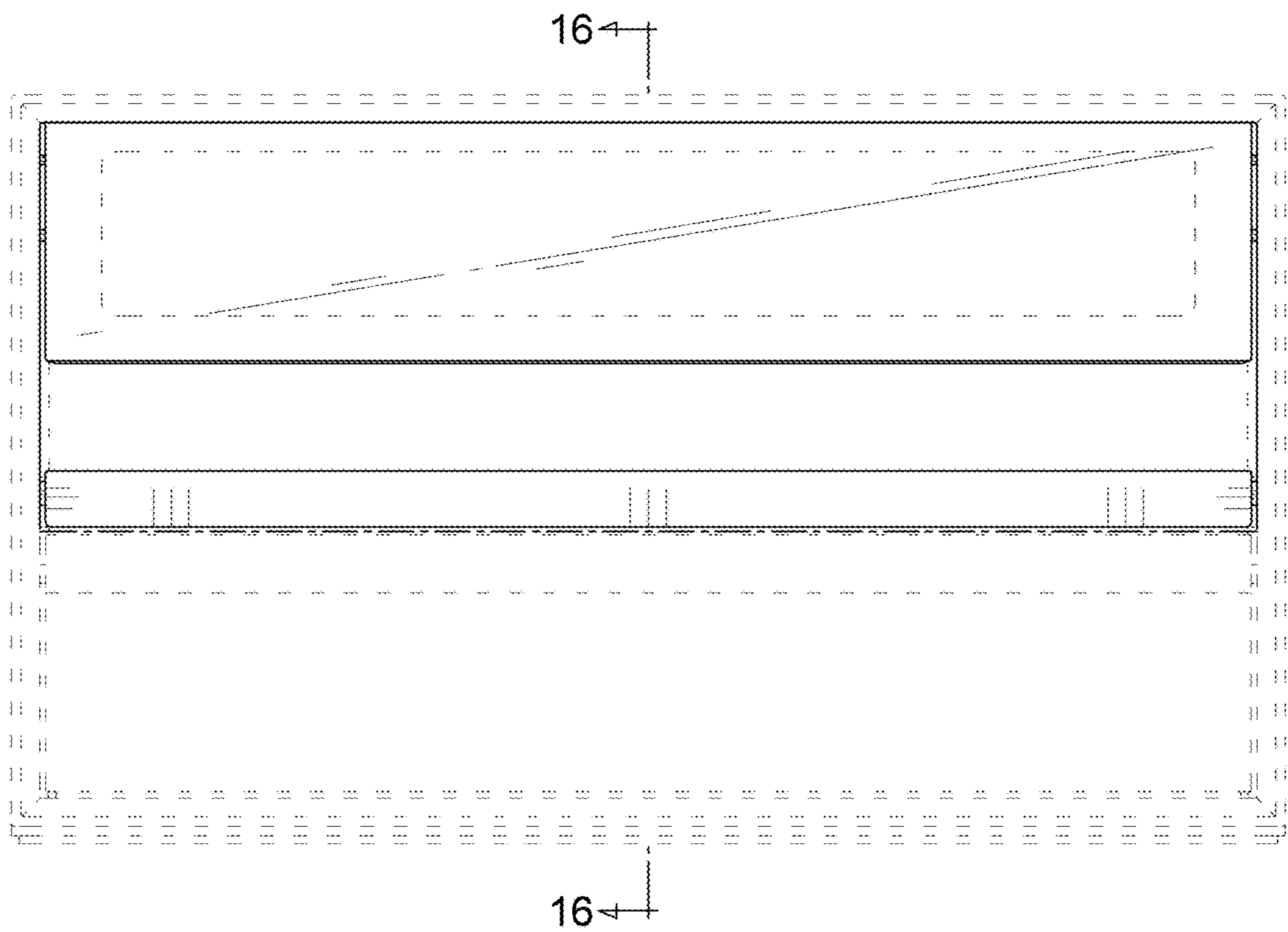


FIG. 11



FIG. 12

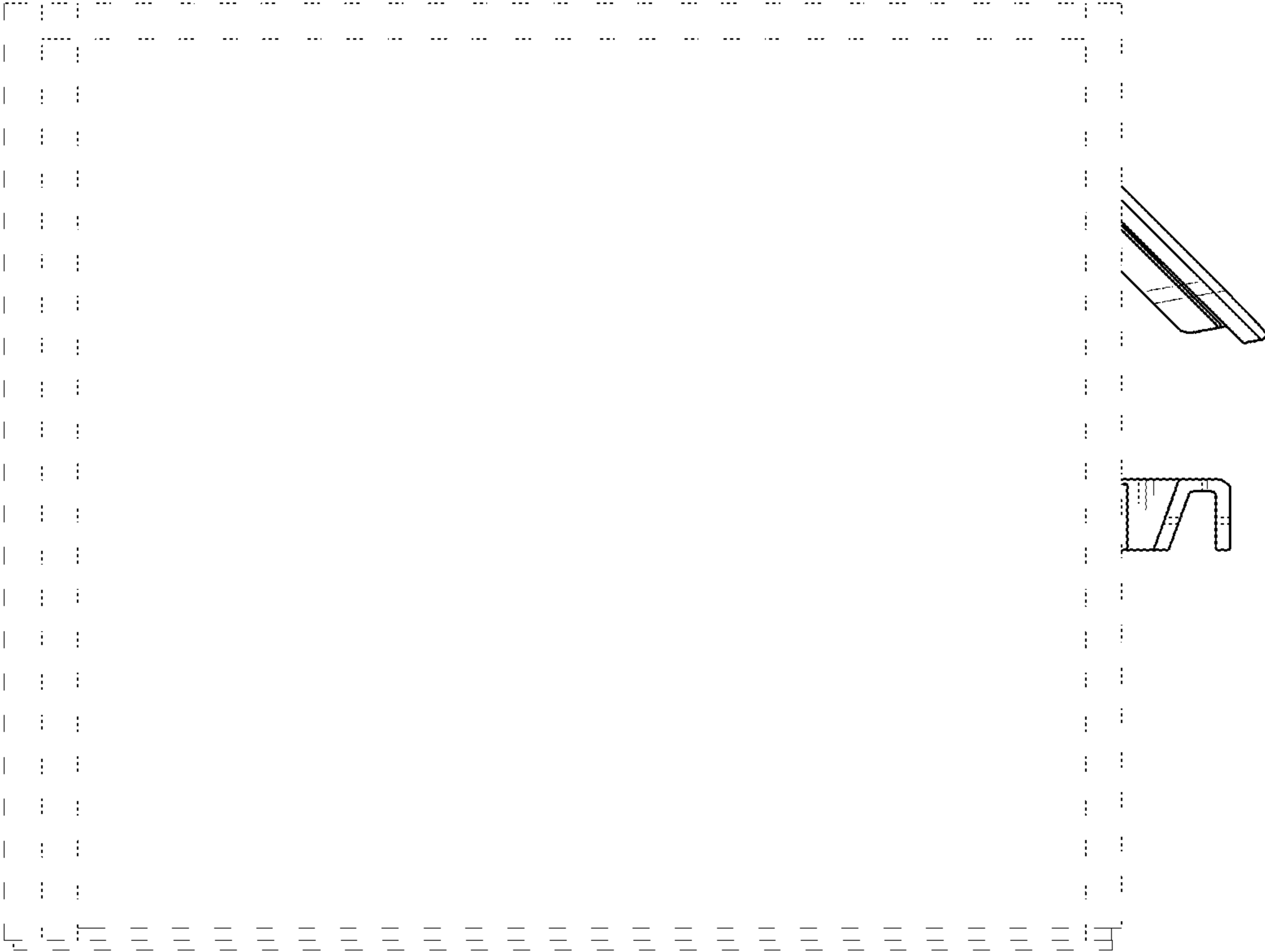


FIG. 13

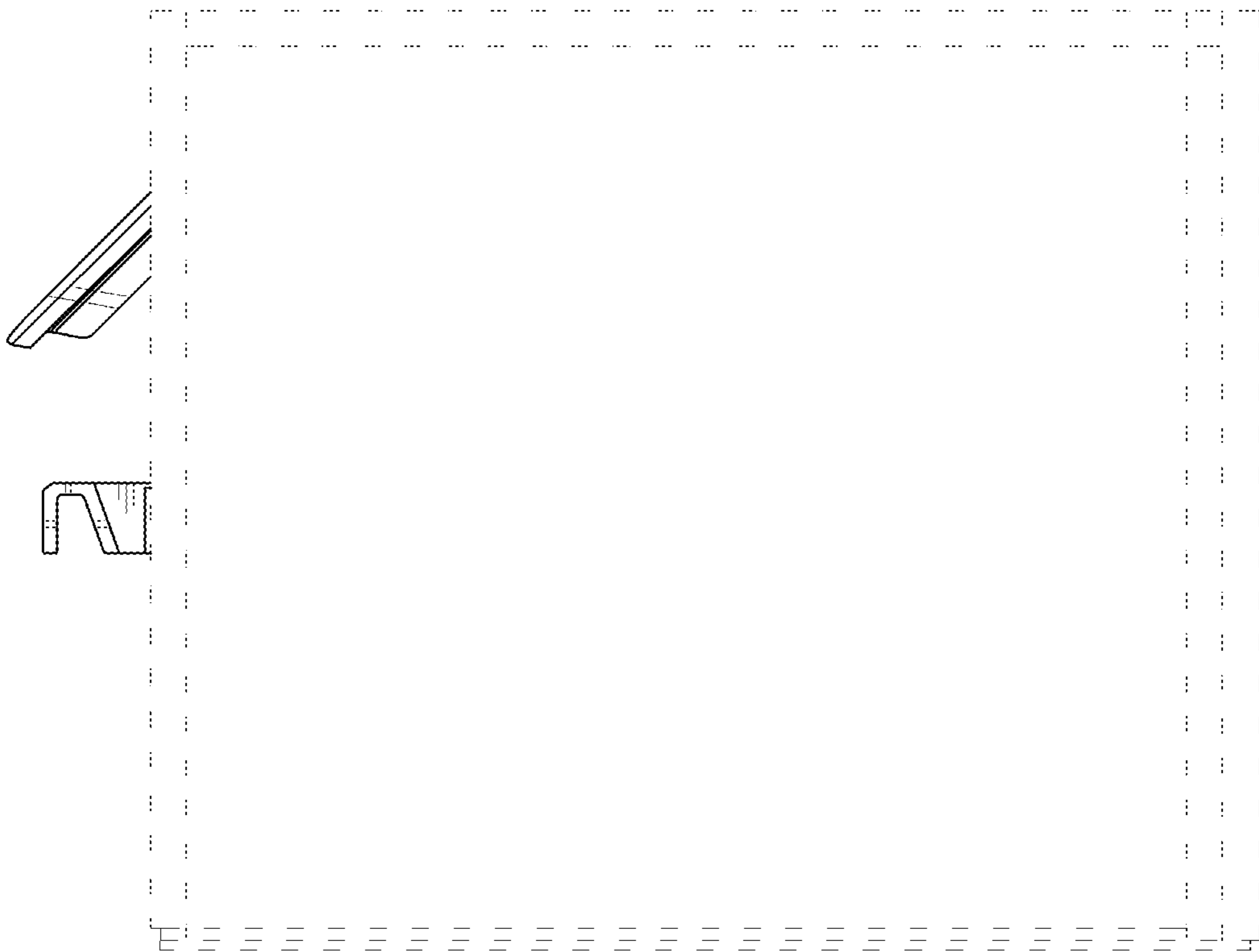


FIG. 14





FIG. 15

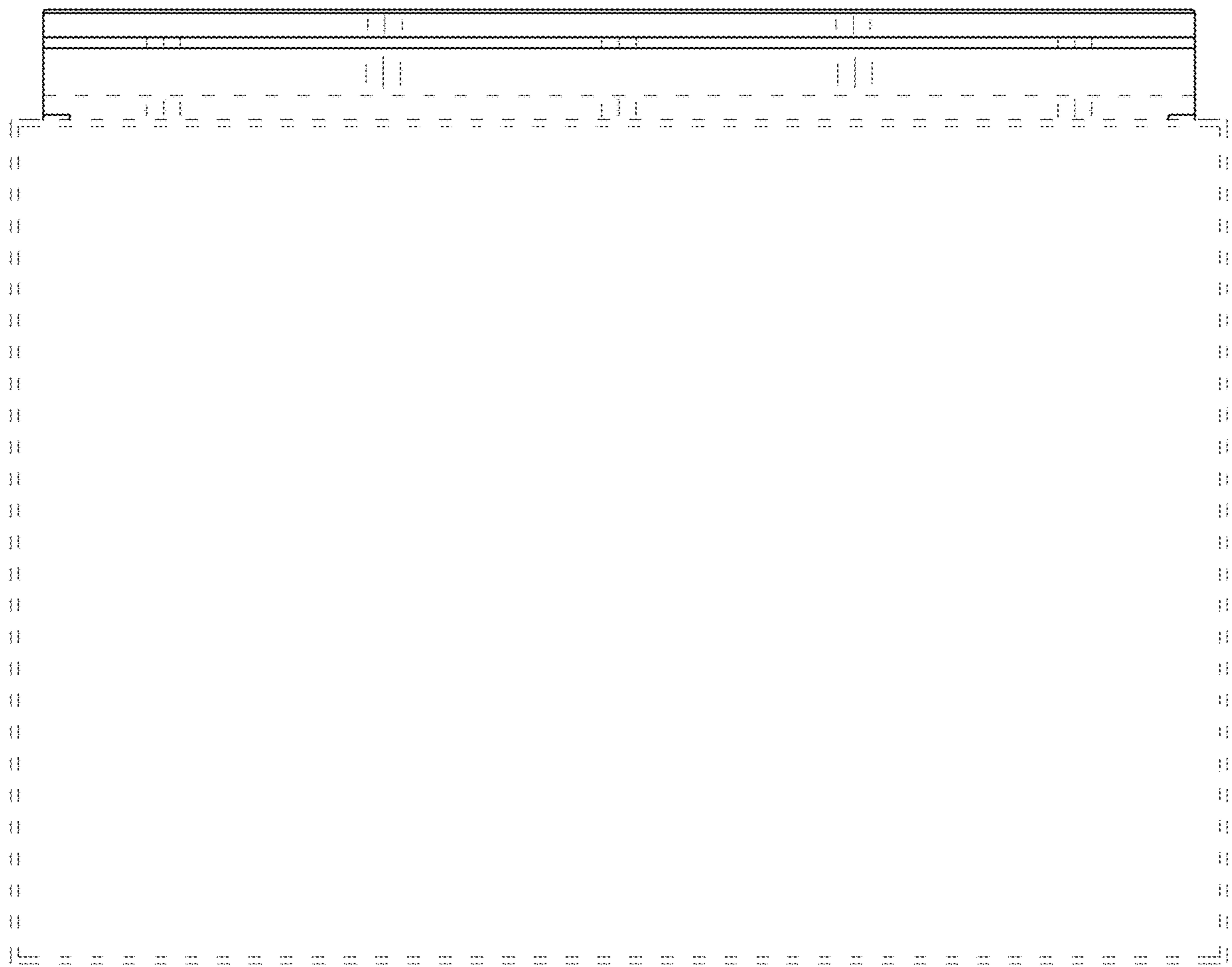


FIG. 16

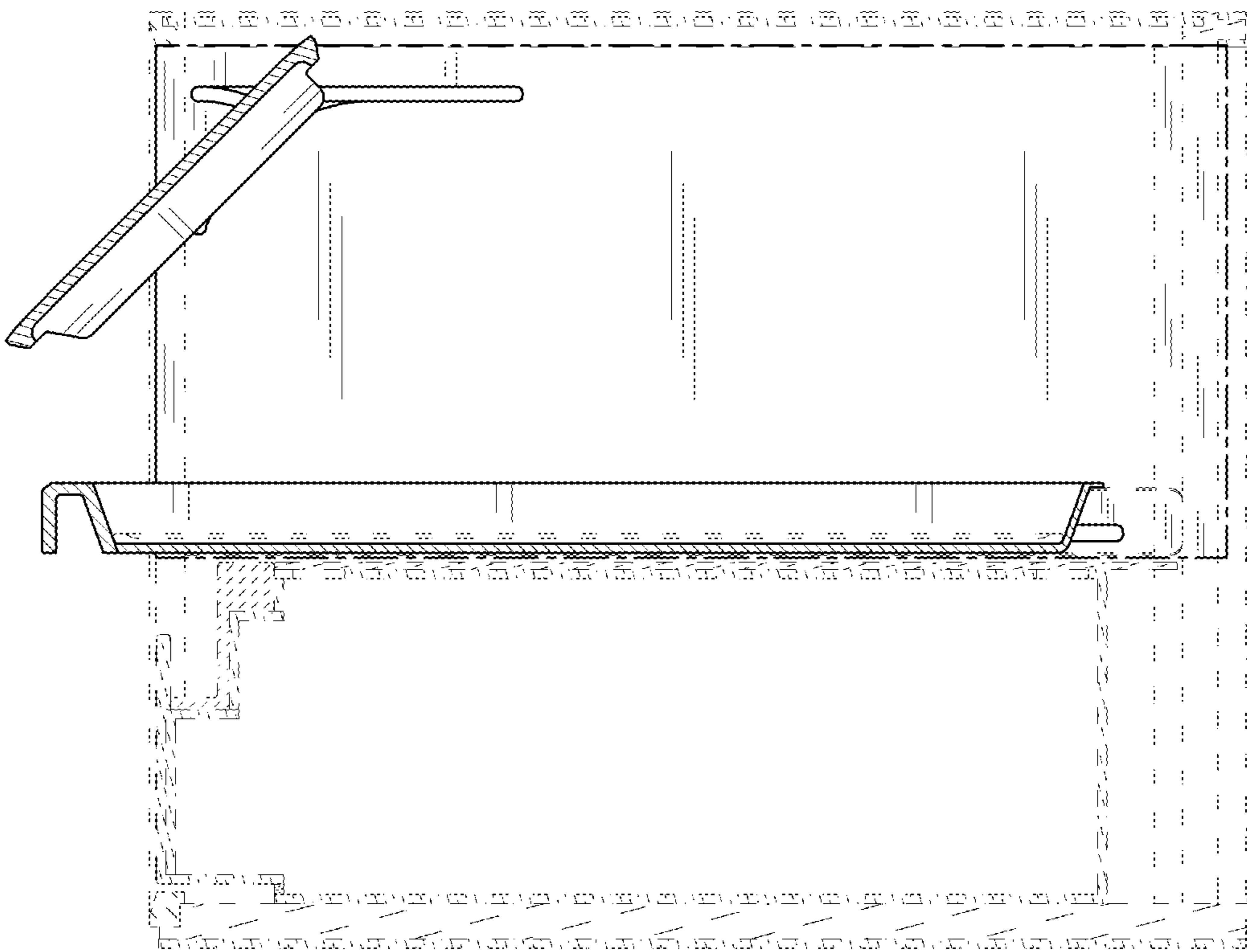


FIG. 17

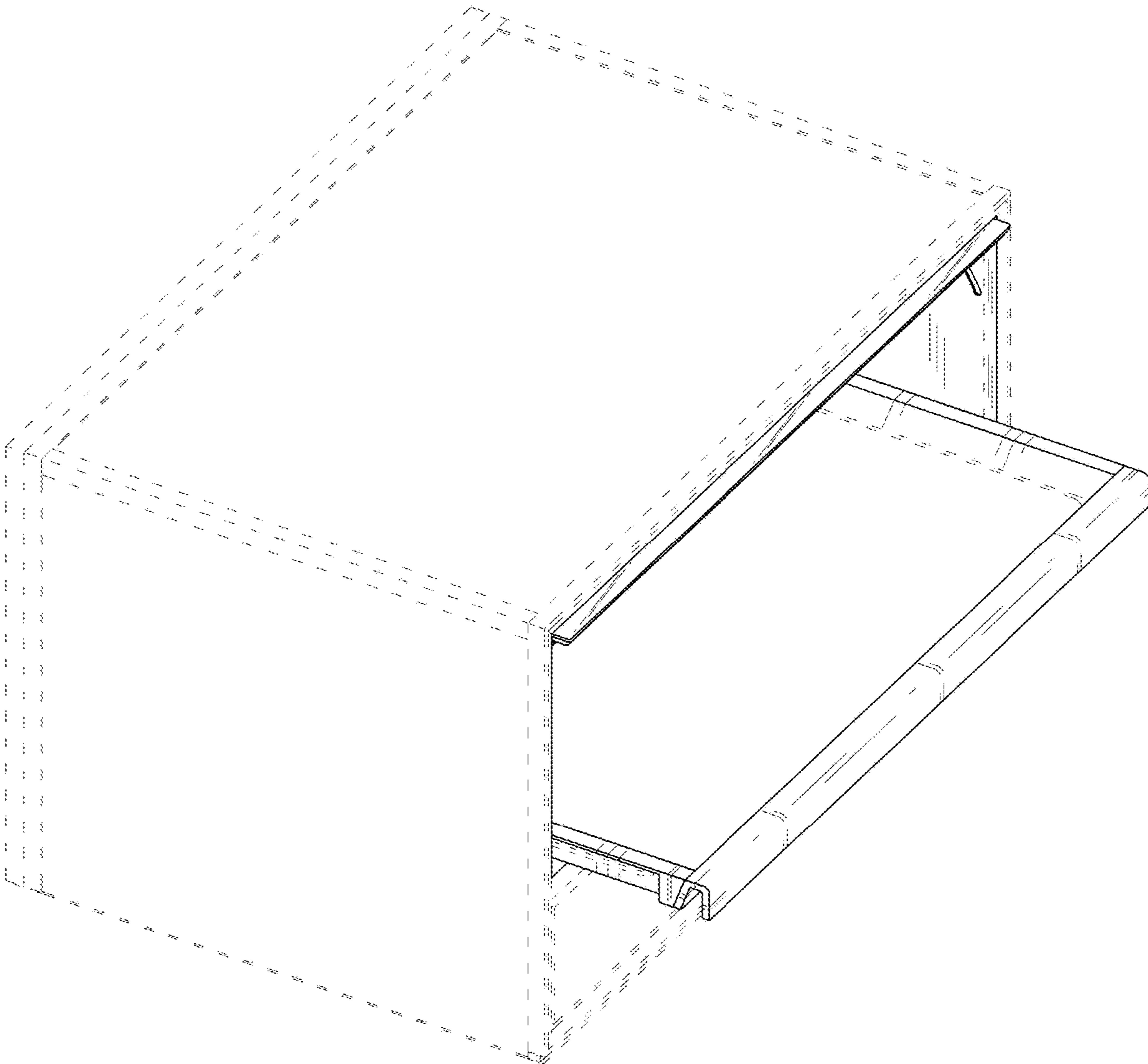


FIG. 18

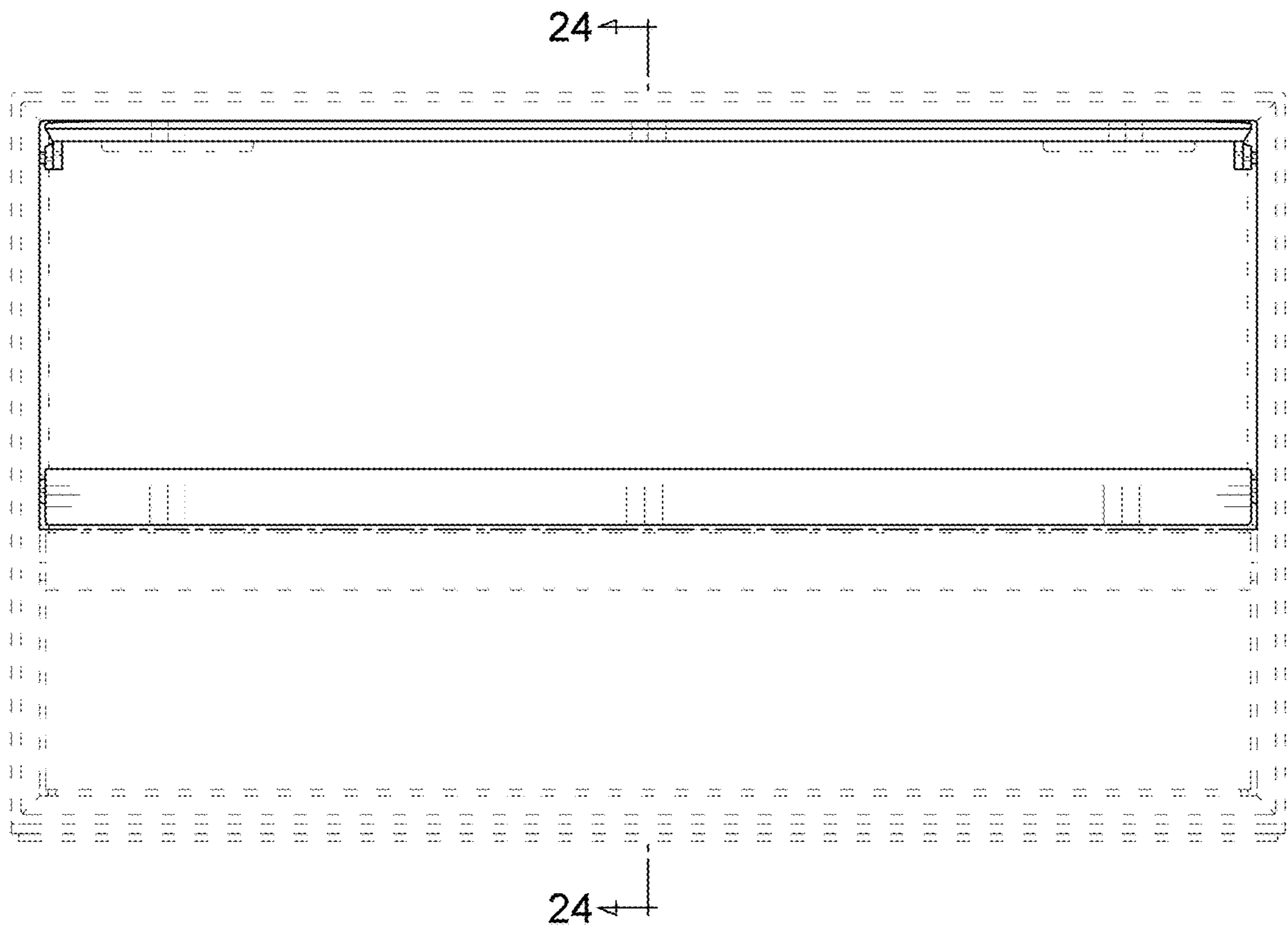


FIG. 19



FIG. 20

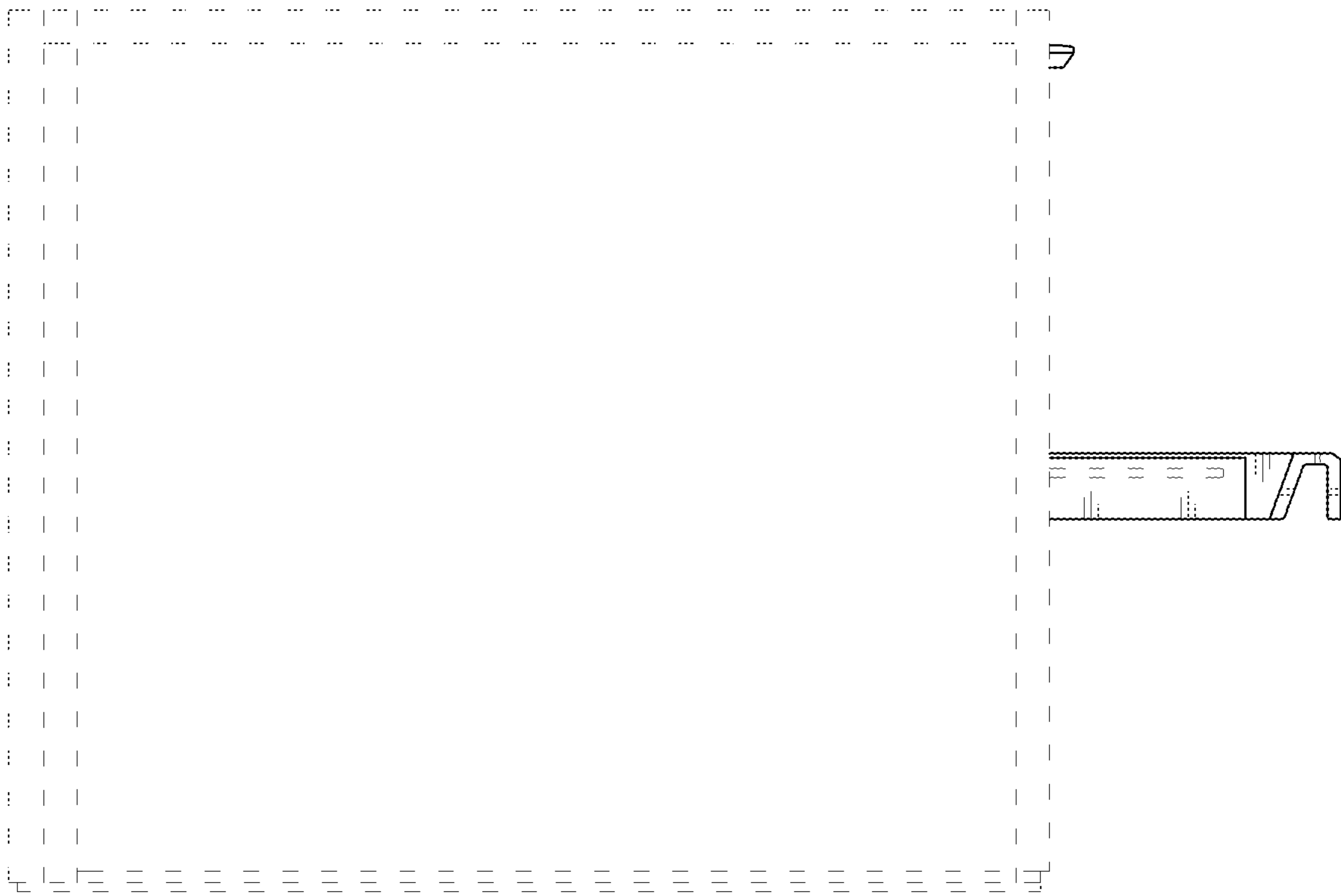


FIG. 21

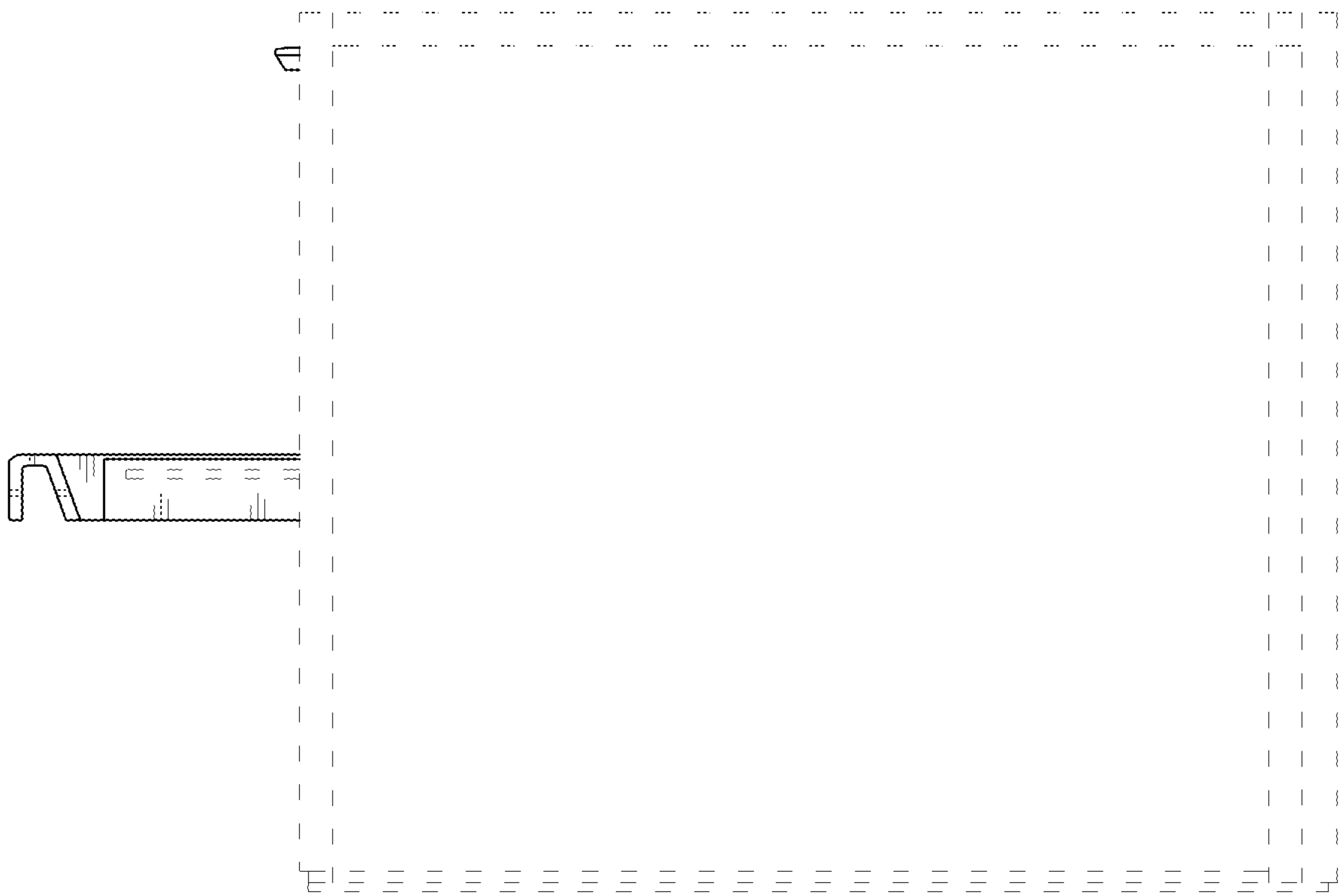


FIG. 22

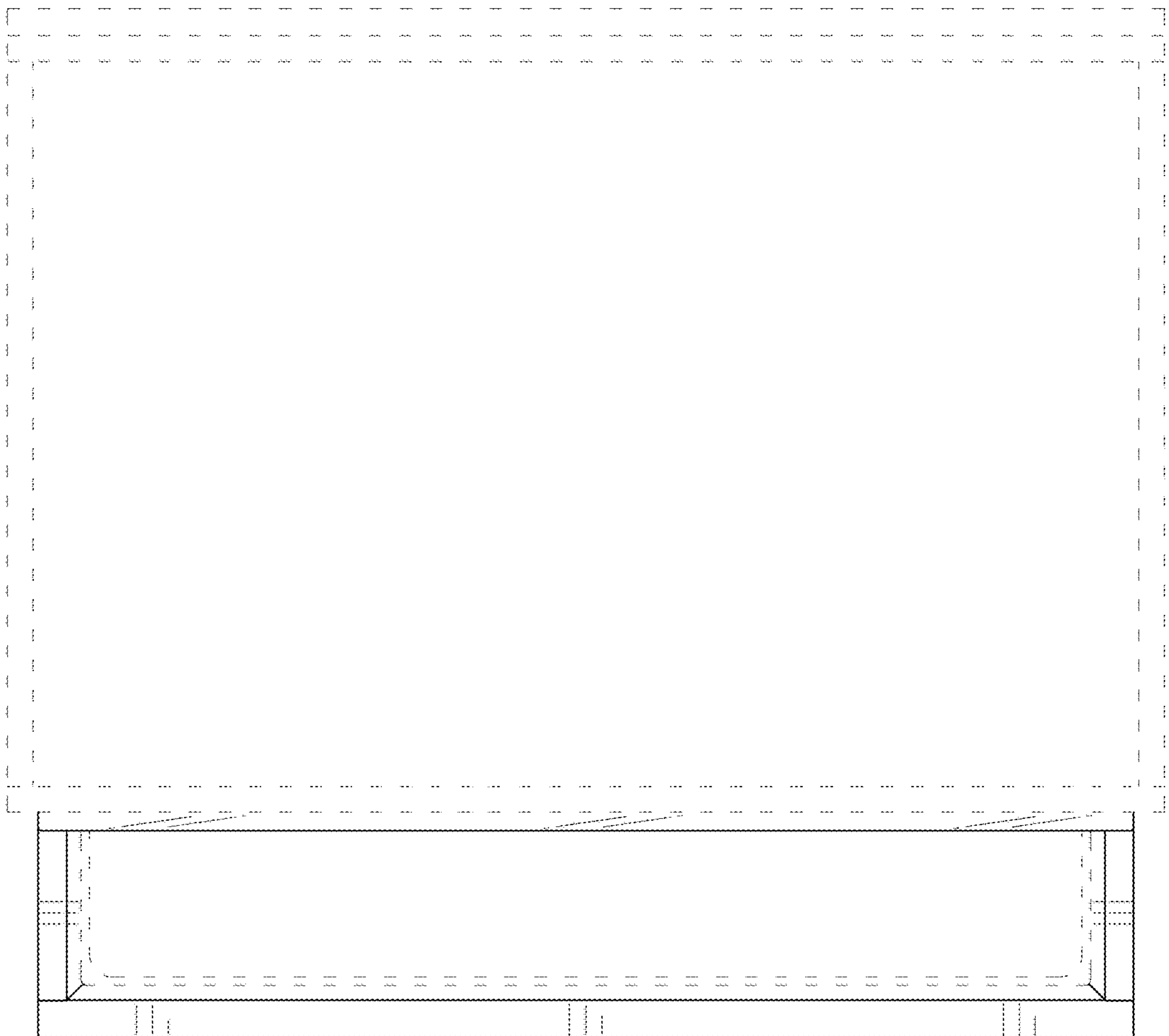




FIG. 23

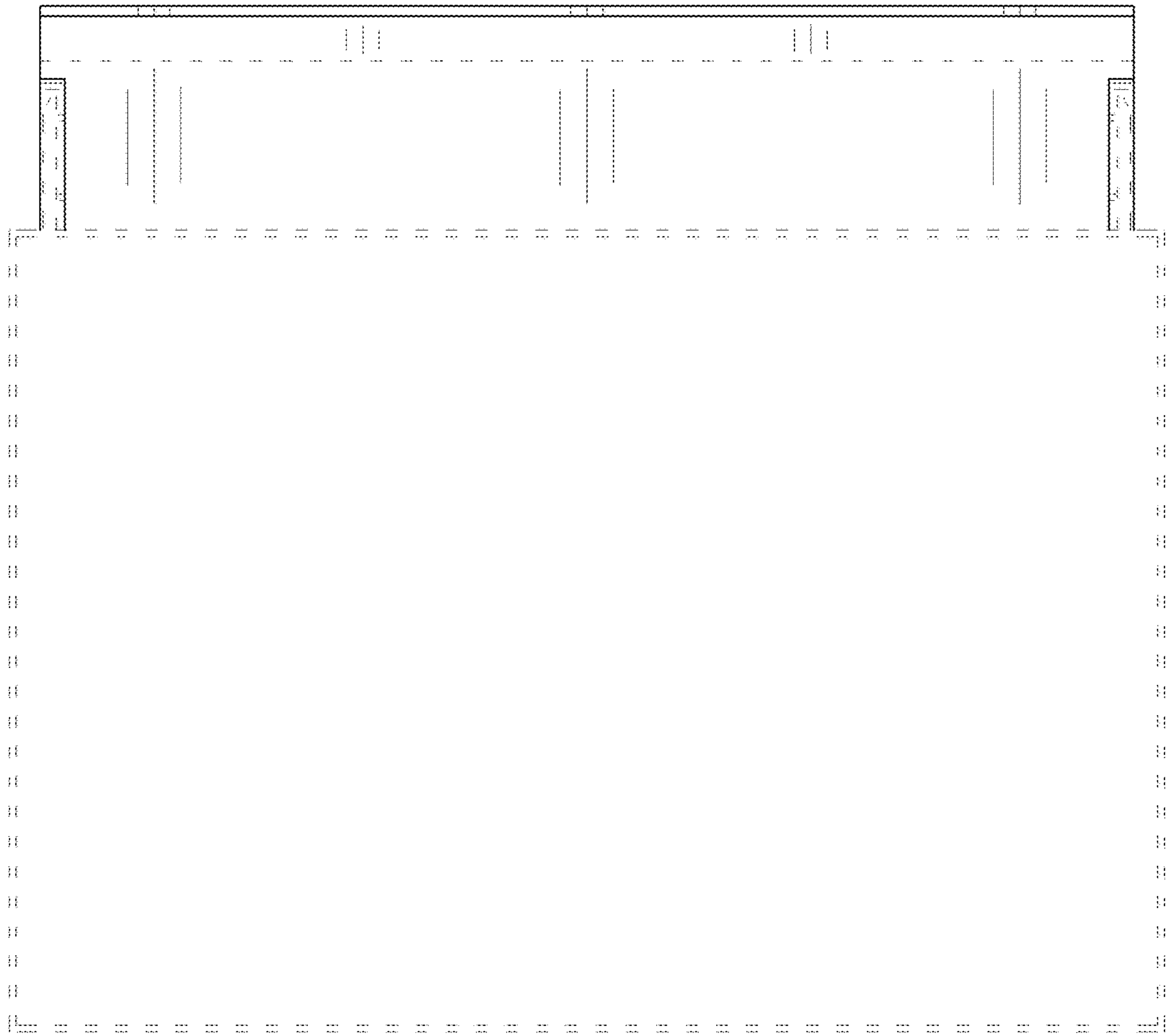


FIG. 24

