



US00D884037S

(12) **United States Design Patent**
Jacobsthal et al.

(10) **Patent No.:** **US D884,037 S**

(45) **Date of Patent:** **** May 12, 2020**

(54) **CONSTRUCTION MACHINE**

(71) Applicant: **CNH Industrial America LLC**, New Holland, PA (US)

(72) Inventors: **Eric Jacobsthal**, Elmhurst, IL (US); **Douglas Montgomery**, Downers Grove, IL (US); **William Venth**, Chicago, IL (US); **Darin Weisensel**, Racine, WI (US); **Jacob Benteman**, Wichita, KS (US)

(73) Assignee: **CNH Industrial America LLC**, New Holland, PA (US)

(**) Term: **15 Years**

(21) Appl. No.: **29/655,158**

(22) Filed: **Jun. 29, 2018**

(51) **LOC (12) Cl.** **15-03**

(52) **U.S. Cl.**
USPC **D15/33**

(58) **Field of Classification Search**
USPC D15/10, 17, 22-26, 28, 30; D12/192; D21/329; D34/28, 35; 74/491, 469, 74/471 R, 471 XY; 280/752; 296/1.09, 296/191, 153; 297/411.36, 217.3, 411.2, 297/411.21; 180/333, 315, 326, 332, 329, 180/331, 90, 334, 89.1, 89.12, 900; 414/685, 686
CPC E02F 3/3405; E02F 3/283; E02F 3/342; E02F 3/3414; E02F 3/38; E02F 3/00; E02F 9/166; E02F 9/163; A01G 23/006; B62D 33/0617; B62D 33/067
See application file for complete search history.

(56) **References Cited**

U.S. PATENT DOCUMENTS

D322,792 S * 12/1991 Park D15/25
5,160,034 A * 11/1992 Potter B07B 1/005
171/135

5,240,366 A * 8/1993 Bamford B60K 20/00
212/261
D376,372 S * 12/1996 Little D15/23
5,807,061 A * 9/1998 Donoghue E02F 3/3411
414/697
D419,568 S * 1/2000 Baig D15/23
D423,521 S * 4/2000 Walter D15/23
D492,327 S * 6/2004 Albright D15/23

(Continued)

Primary Examiner — Mark A Goodwin

(74) *Attorney, Agent, or Firm* — Peter Zacharias; Patrick Sheldrake

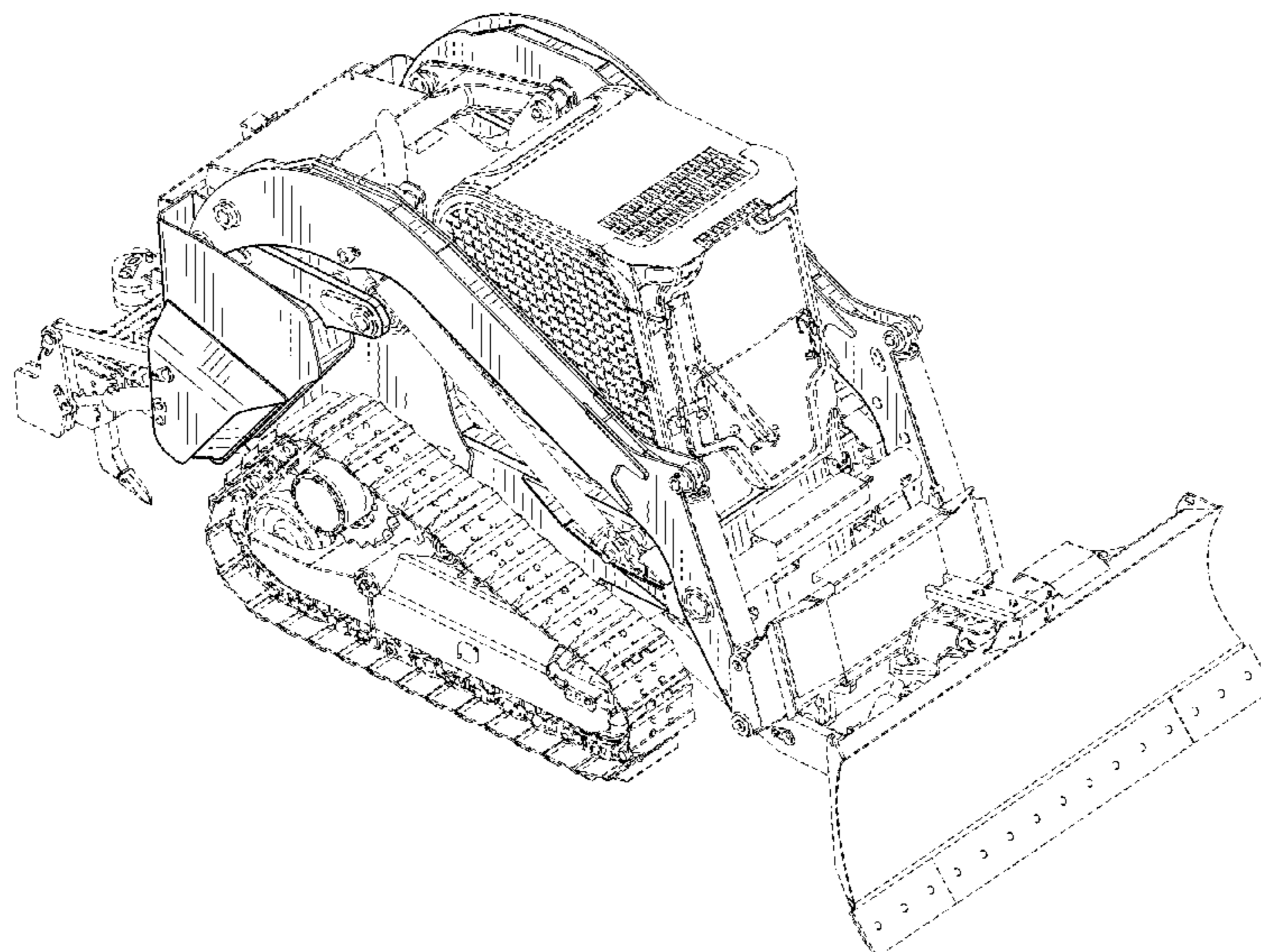
(57) **CLAIM**

The ornamental design for a construction machine, as shown and described.

DESCRIPTION

FIG. 1 is a front perspective view of a first embodiment of a construction machine of the present design.
FIG. 2 is a first rear perspective view of the construction machine of FIG. 1.
FIG. 3 is a second rear perspective view of the construction machine of FIG. 1.
FIG. 4 is a right-side view of the construction machine of FIG. 1.
FIG. 5 is a left-side view of the construction machine of FIG. 1.
FIG. 6 is a front view of the construction machine of FIG. 1.
FIG. 7 is a rear view of the construction machine of FIG. 1.
FIG. 8 is a top view of the construction machine of FIG. 1; and,
FIG. 9 is a bottom view of the construction machine of FIG. 1.
The dashed lines shown in the figures represent environmental subject matter and form no part of the claimed design.

1 Claim, 9 Drawing Sheets



(56)

References Cited

U.S. PATENT DOCUMENTS

D504,136 S *	4/2005	Albright	D15/23
D538,305 S *	3/2007	Smith	D15/30
D572,276 S *	7/2008	Pinther	D15/23
D572,277 S *	7/2008	Pinther	D15/23
D583,834 S *	12/2008	Sugiyama	D15/23
D583,835 S *	12/2008	Sugiyama	D15/23
D600,721 S *	9/2009	Shimomura	D15/23
D790,598 S *	6/2017	Furuki	D15/25
D840,442 S *	2/2019	Jacobsthal	D15/33

* cited by examiner

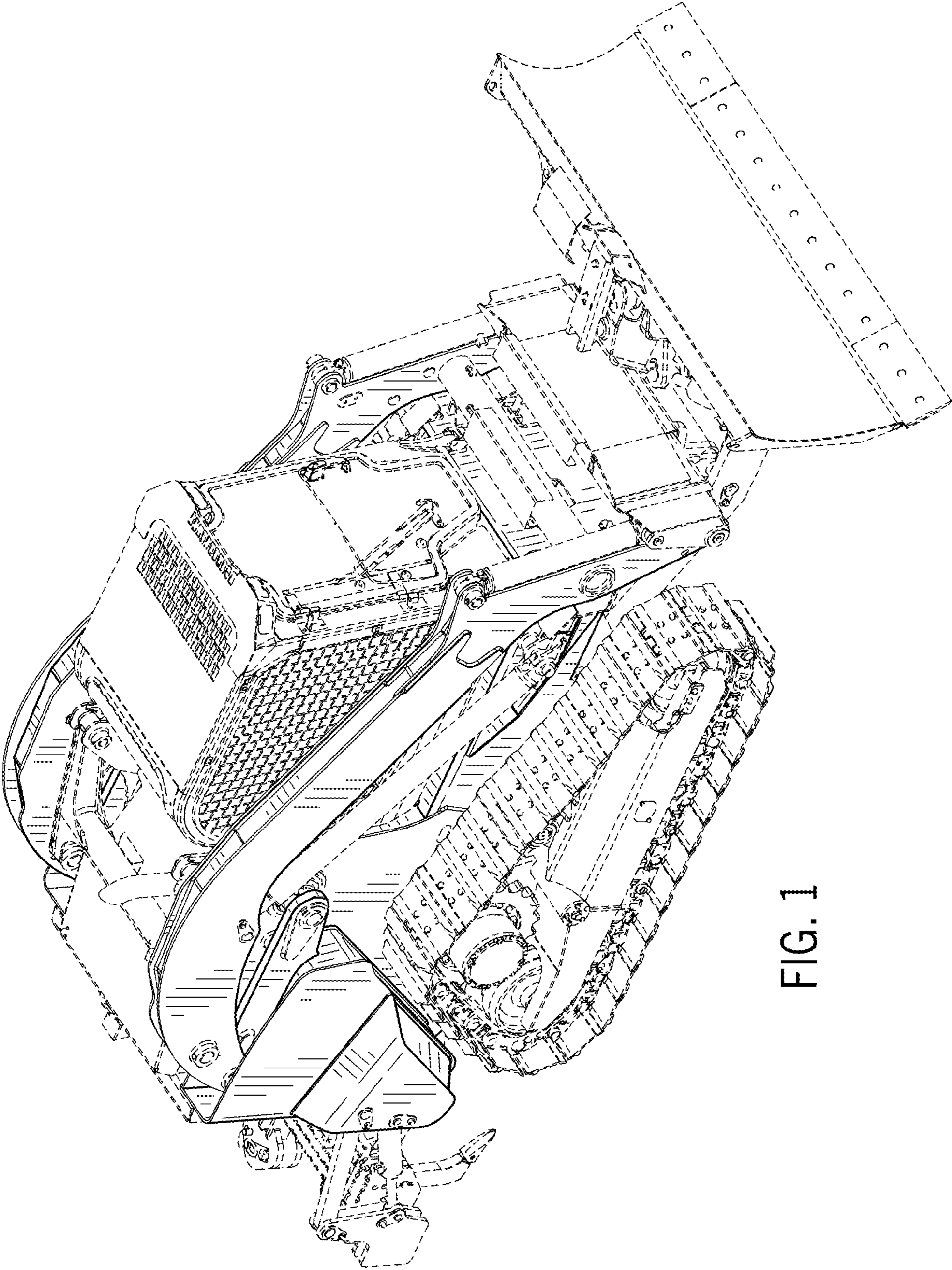


FIG. 1

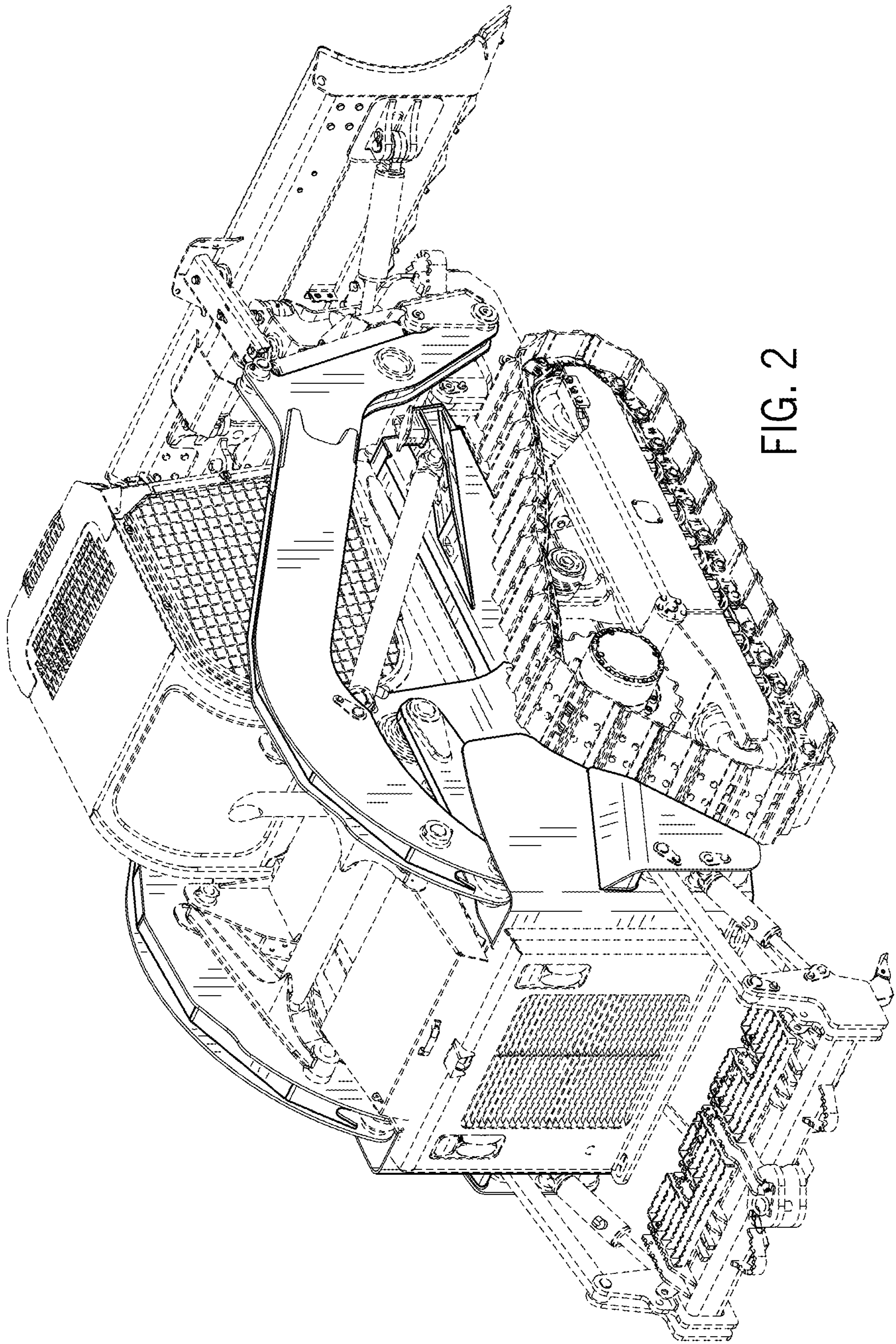


FIG. 2

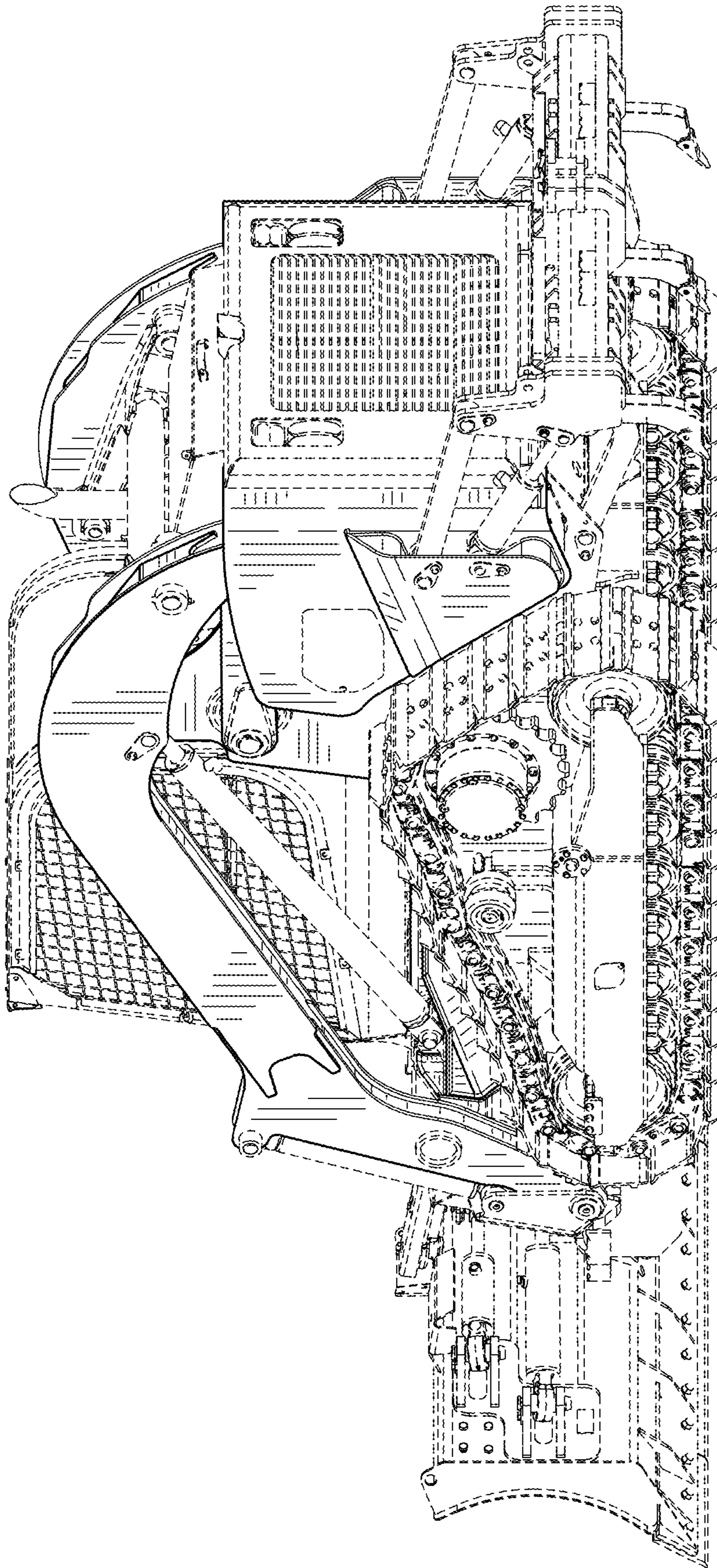


FIG. 3

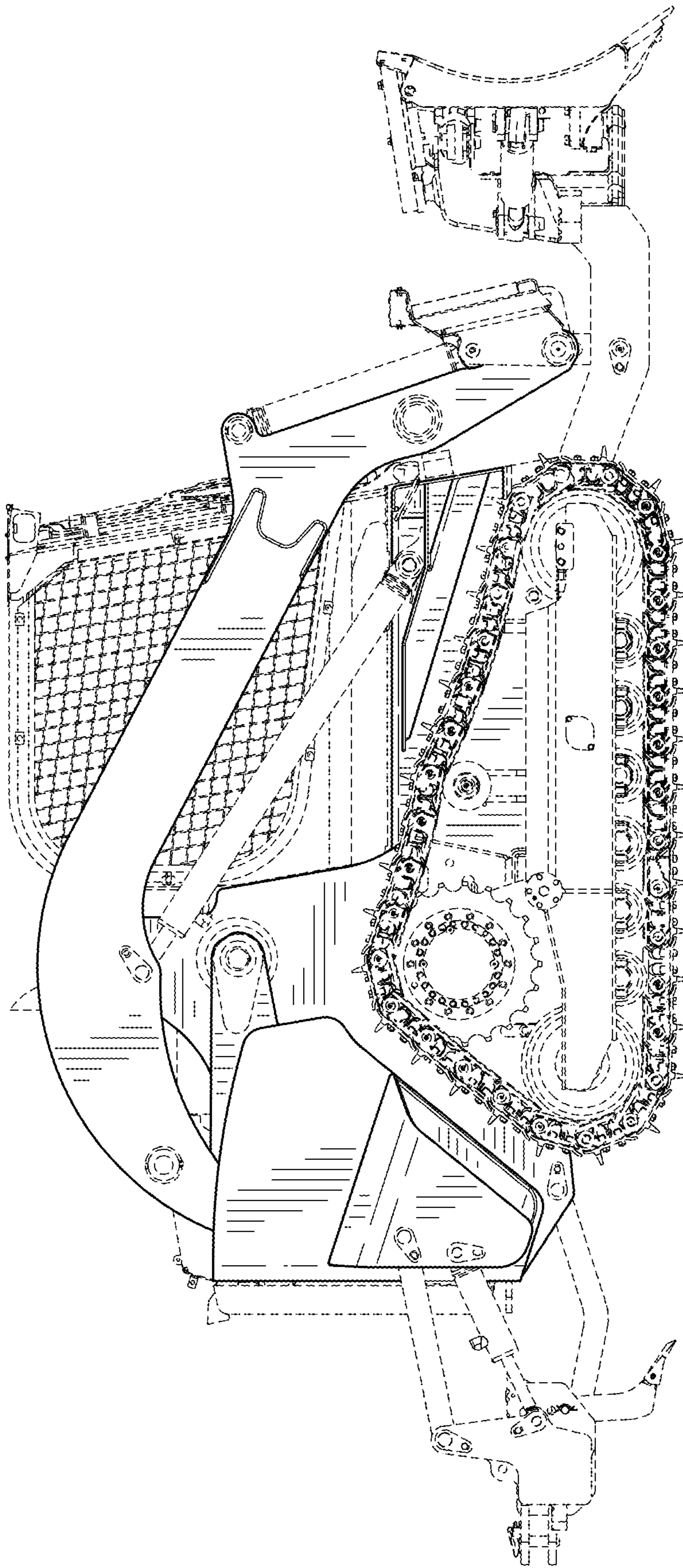


FIG. 4

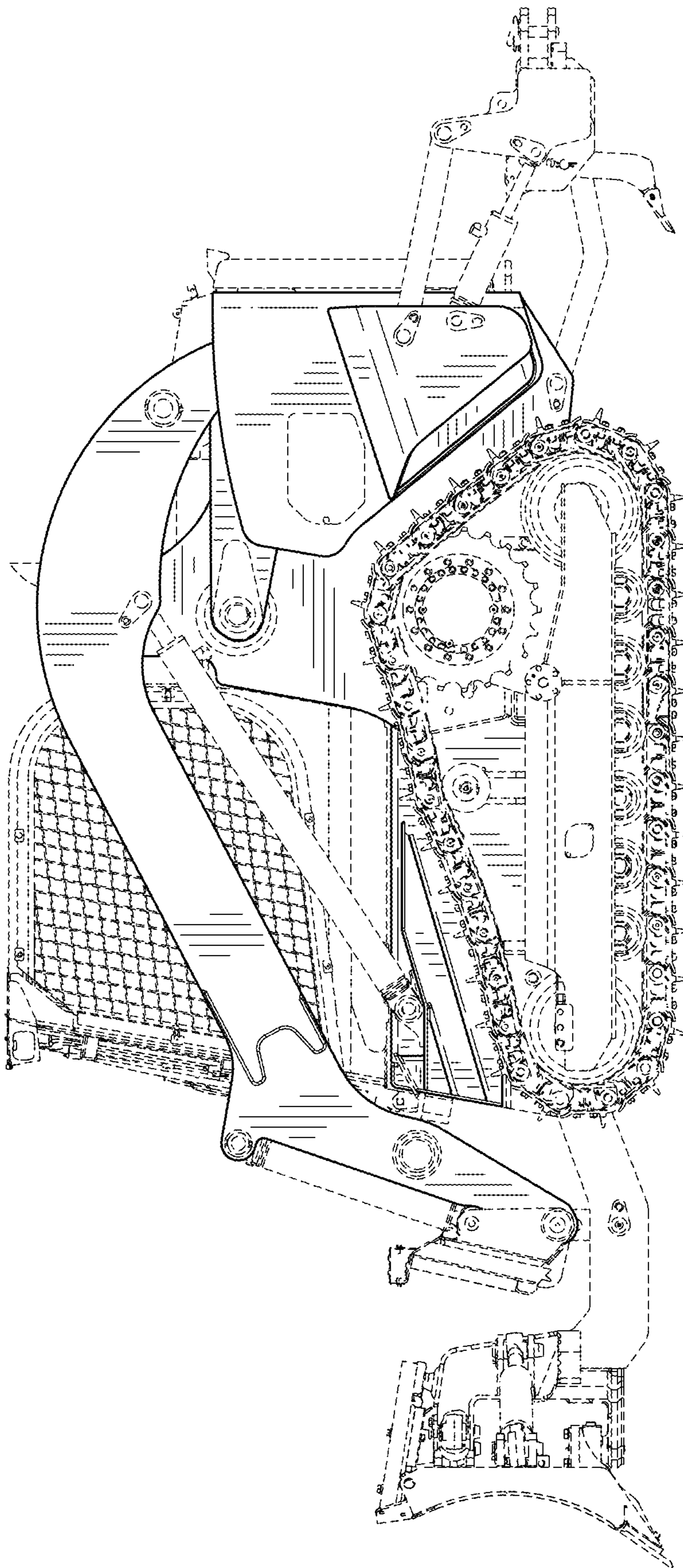


FIG. 5

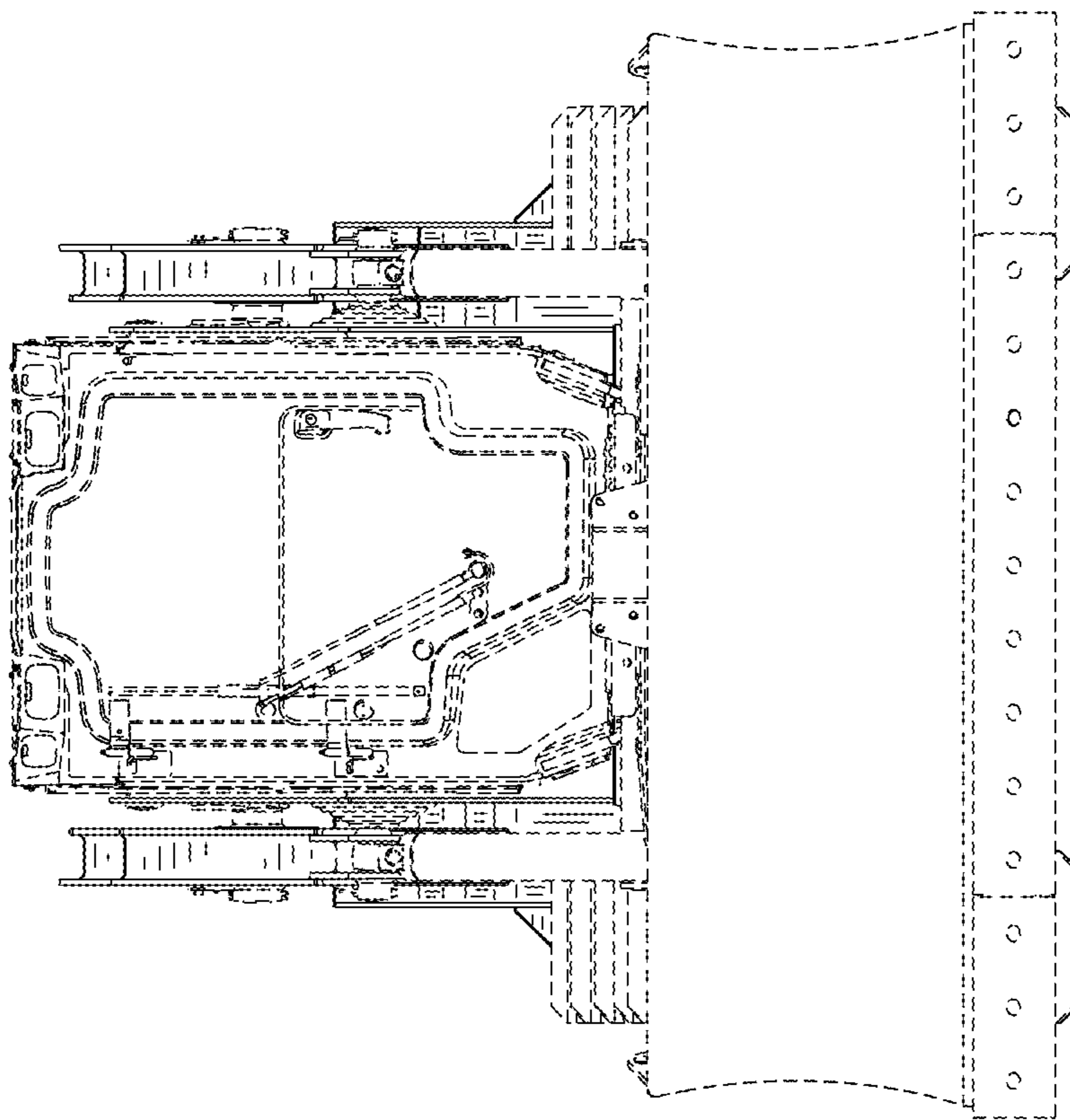


FIG. 6

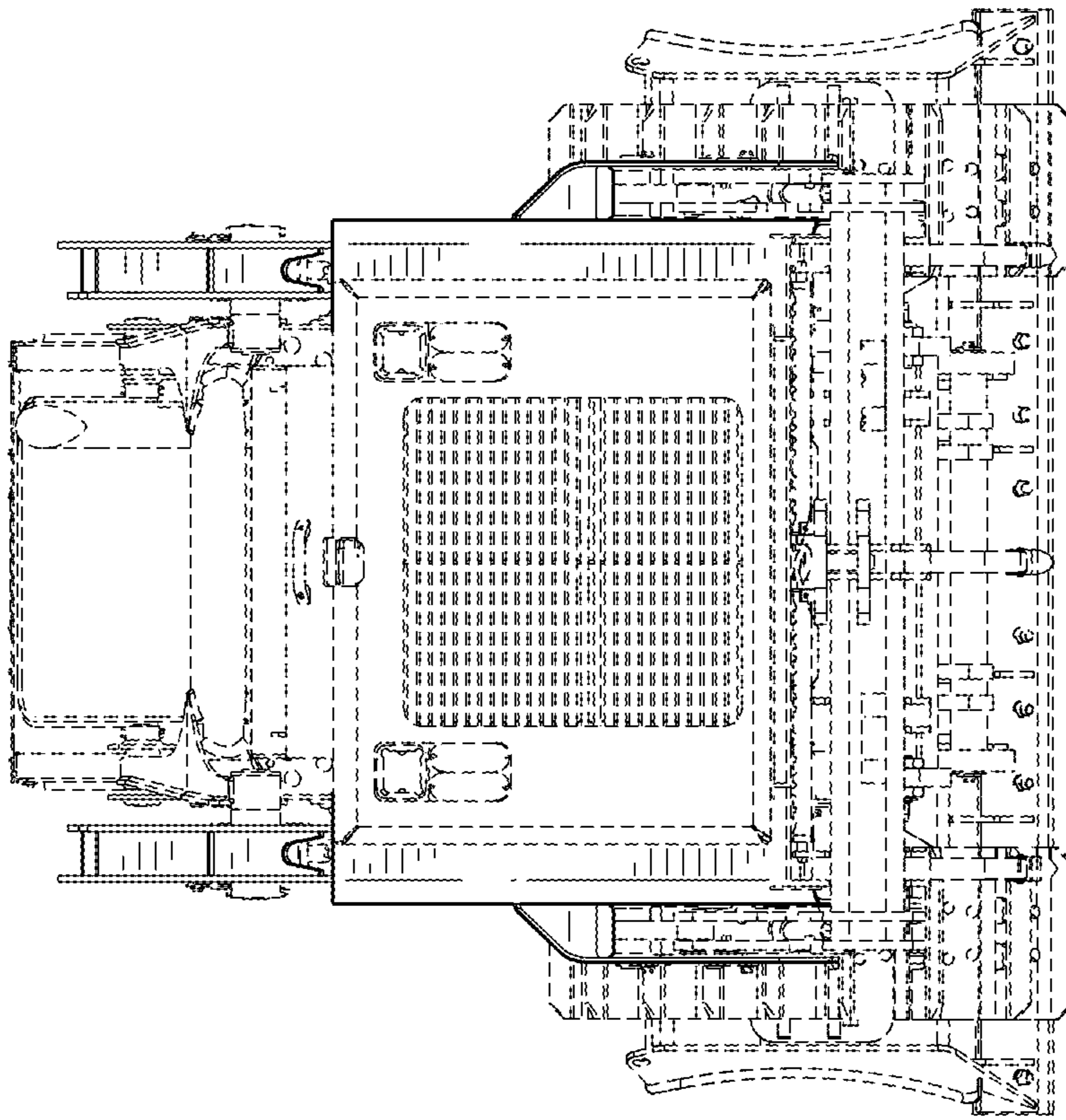


FIG. 7

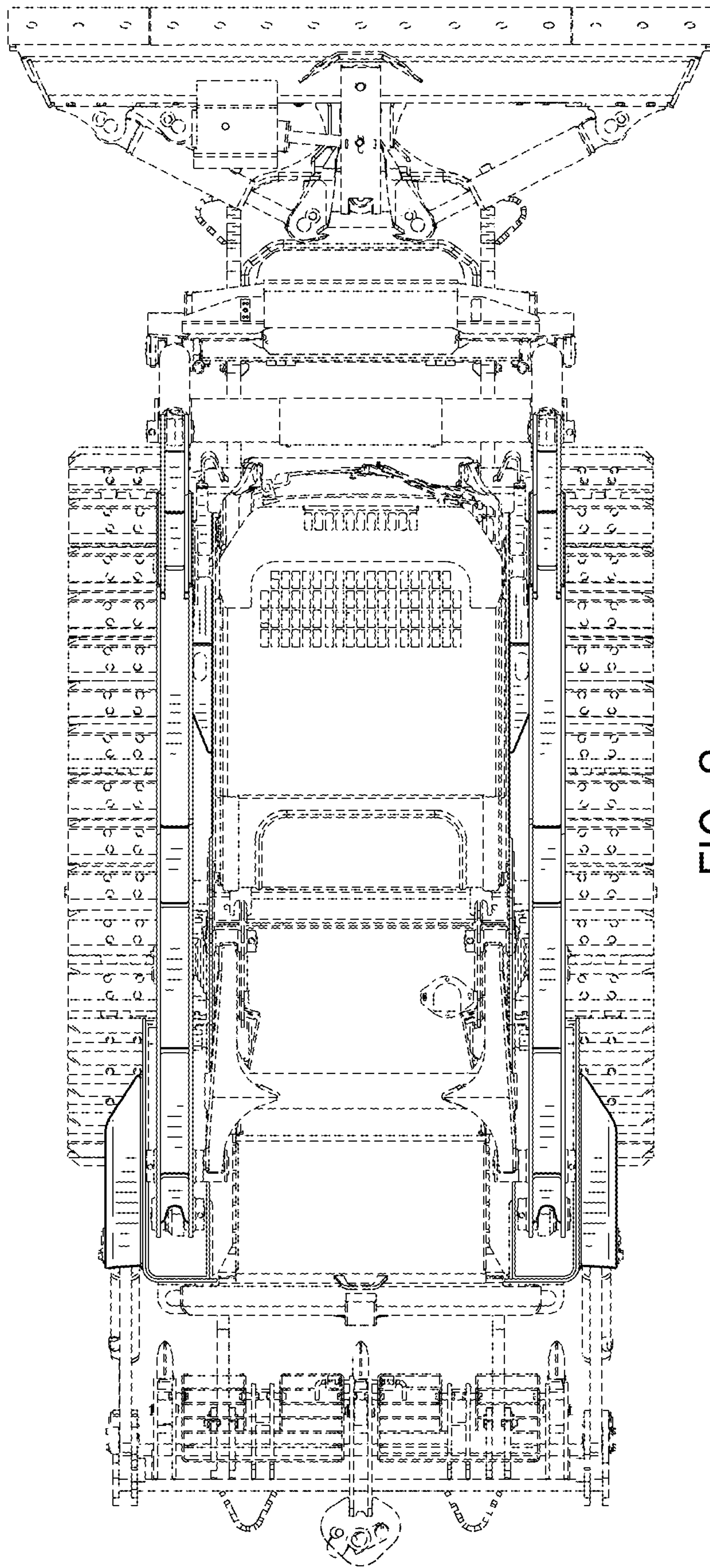


FIG. 8

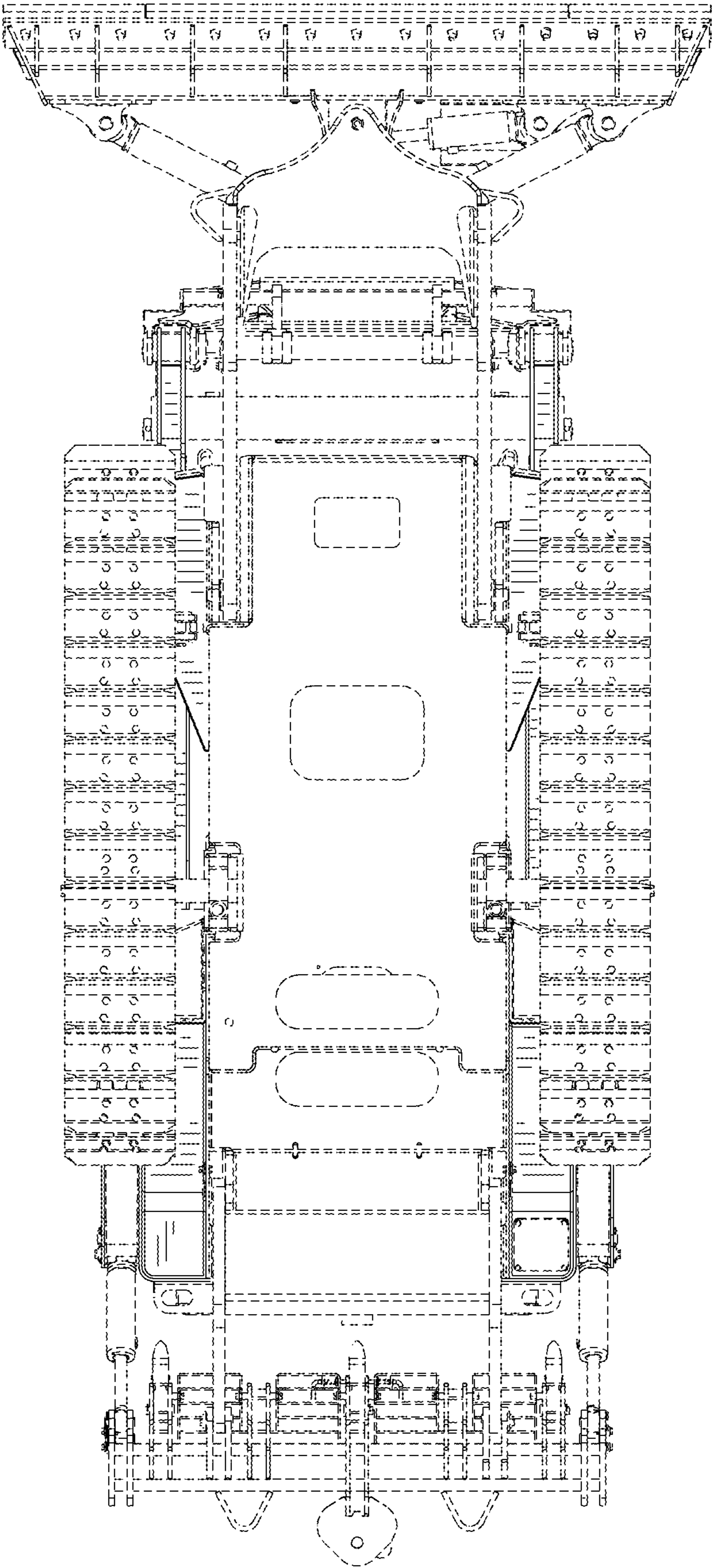


FIG. 9