



US00D884036S

(12) **United States Design Patent**  
**Dougherty et al.**

(10) **Patent No.:** **US D884,036 S**

(45) **Date of Patent:** **\*\* May 12, 2020**

(54) **ADVANCED MULCHER TOOTH ASSEMBLY**

(71) Applicant: **Dougherty Forestry Manufacturing, Ltd. Co.**, Hinton, OK (US)

(72) Inventors: **Patrick Dougherty**, Hinton, OK (US);  
**James Andrew Dougherty**, Hinton, OK (US)

(73) Assignee: **Dougherty Forestry Manufacturing, Ltd. Co.**, Hinton, OK (US)

(\*\*) Term: **15 Years**

(21) Appl. No.: **29/663,616**

(22) Filed: **Sep. 17, 2018**

(51) **LOC (12) Cl.** ..... **15-03**

(52) **U.S. Cl.**

USPC ..... **D15/29**

(58) **Field of Classification Search**

USPC ..... D15/20, 21, 28, 29; 172/548, 540, 122,  
172/554; 241/294, 242, 300, 189, 194,  
241/195; 37/454, 453, 456, 452;  
404/121, 235, 24.12, 34.1, 4.1; 144/241,  
144/235, 24.12, 34.1, 4.1; 83/840;  
56/13.6

CPC ..... E02F 9/2833; E02F 9/2841; E02F 9/28;  
B02C 18/18; B02C 18/16; B02C 18/14;  
B02C 18/06; B02C 18/146; B02C 18/184;  
B02C 18/145; B02C 1/10

See application file for complete search history.

(56) **References Cited**

**U.S. PATENT DOCUMENTS**

3,203,488 A \* 8/1965 Eastwood, III ..... E02F 5/32  
172/713  
3,274,908 A \* 9/1966 Grant ..... E02D 3/026  
404/121  
3,358,569 A \* 12/1967 Averette ..... E02D 3/026  
404/121

3,490,117 A \* 1/1970 Hertel ..... B23B 27/1614  
407/104  
4,951,883 A \* 8/1990 Loppoli ..... A01D 90/105  
241/101.762  
5,052,757 A \* 10/1991 Latham ..... B28D 1/188  
299/106  
5,259,692 A \* 11/1993 Beller ..... E01C 23/127  
241/101.72  
5,395,286 A \* 3/1995 Sgariboldi ..... A01F 29/005  
366/603

(Continued)

*Primary Examiner* — Mark A Goodwin

(74) *Attorney, Agent, or Firm* — Crowe & Dunlevy, P.C.

(57) **CLAIM**

The ornamental design for a advanced mulcher tooth assembly, as shown and described.

**DESCRIPTION**

FIG. 1 is a front perspective view of a advanced mulcher tooth assembly constructed in accordance with a preferred embodiment.

FIG. 2 is a rear perspective view of the advanced mulcher tooth assembly.

FIG. 3 is a left side view of the advanced mulcher tooth assembly.

FIG. 4 is a right side view of the advanced mulcher tooth assembly.

FIG. 5 is a rear end view of the advanced mulcher tooth assembly.

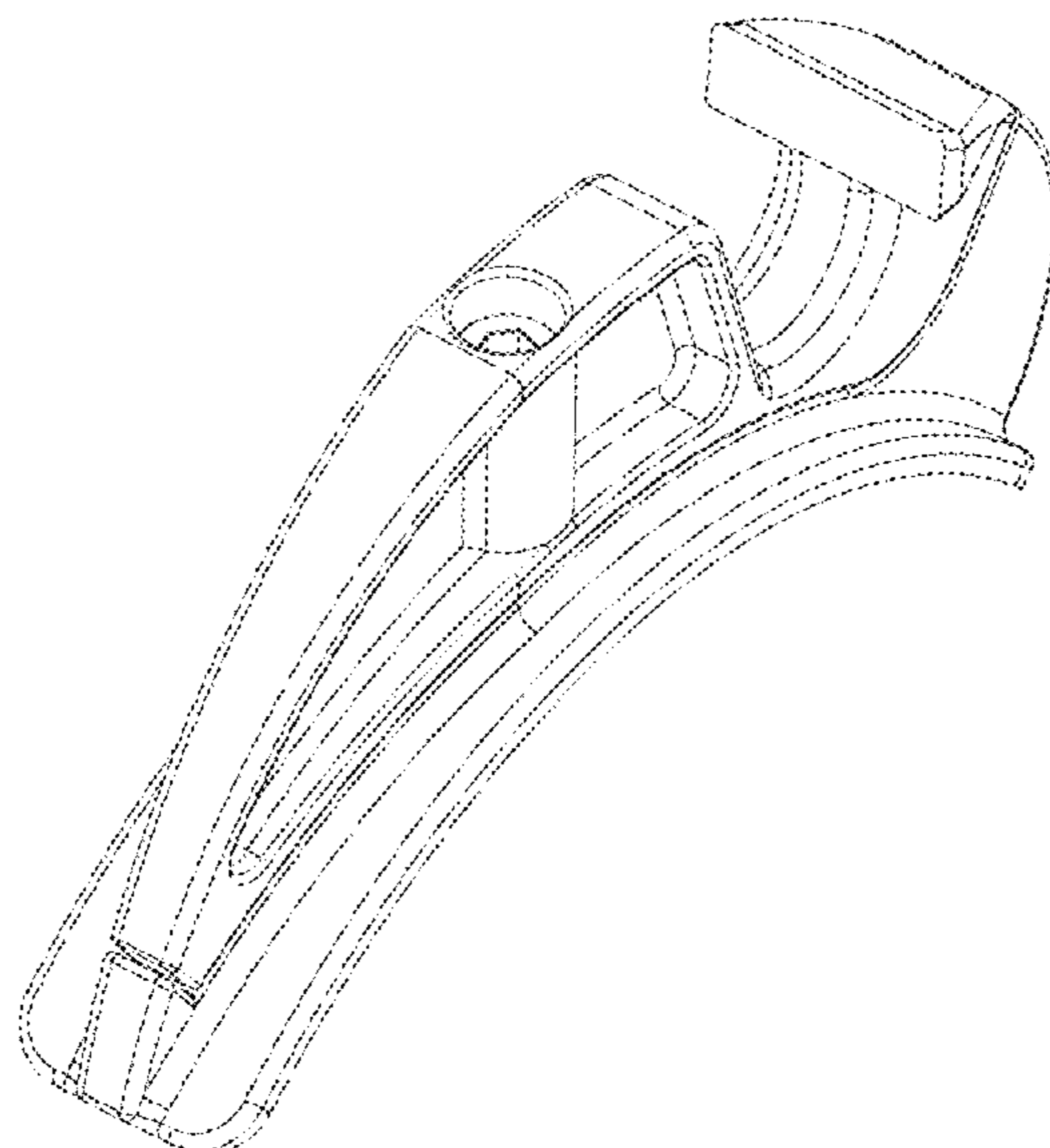
FIG. 6 is a top view of the advanced mulcher tooth assembly.

FIG. 7 is a bottom view of the advanced mulcher tooth assembly.

FIG. 8 is an exploded view of the two components of the advanced mulcher tooth assembly; and,

FIG. 9 is a perspective view of the advanced mulcher tooth assembly installed on a rotating drum shown in broken lines that forms no part of the claimed design.

**1 Claim, 6 Drawing Sheets**



(56)

**References Cited**

## U.S. PATENT DOCUMENTS

5,647,263 A \* 7/1997 Wildey ..... B23D 61/04  
83/835  
6,152,658 A \* 11/2000 Satran ..... B23B 27/00  
407/103  
D517,104 S \* 3/2006 East ..... D15/139  
7,082,743 B1 \* 8/2006 Erickson ..... A01B 33/021  
56/249  
7,938,350 B2 \* 5/2011 Doppstadt ..... B02C 18/145  
241/294  
7,980,278 B2 \* 7/2011 Labbe ..... A01G 23/00  
144/172  
9,511,375 B2 \* 12/2016 Doppstadt ..... B02C 18/145  
D798,913 S \* 10/2017 Whittaker ..... D15/29  
9,943,037 B2 \* 4/2018 Stanley ..... A01G 3/002  
D835,680 S \* 12/2018 Stanley ..... D15/28  
D835,681 S \* 12/2018 Stanley ..... D15/28  
D835,682 S \* 12/2018 Stanley ..... D15/28  
D836,137 S \* 12/2018 Stanley ..... D15/28  
10,201,130 B2 \* 2/2019 Stanley ..... A01B 33/142  
2006/0243466 A1 \* 11/2006 Beller ..... E01C 23/127  
172/518  
2007/0194161 A1 \* 8/2007 Doppstadt ..... B02C 18/18  
241/294  
2009/0158910 A1 \* 6/2009 Krehel ..... B23D 61/06  
83/839  
2010/0011934 A1 \* 1/2010 Micacchi ..... B23D 61/065  
83/839  
2013/0112792 A1 \* 5/2013 Doppstadt ..... B02C 18/18  
241/282.1  
2015/0282420 A1 \* 10/2015 Campey ..... A01D 34/53  
172/21  
2017/0079219 A1 \* 3/2017 Stanley ..... A01G 23/00  
2017/0297032 A1 \* 10/2017 Denis ..... B02C 18/18

\* cited by examiner

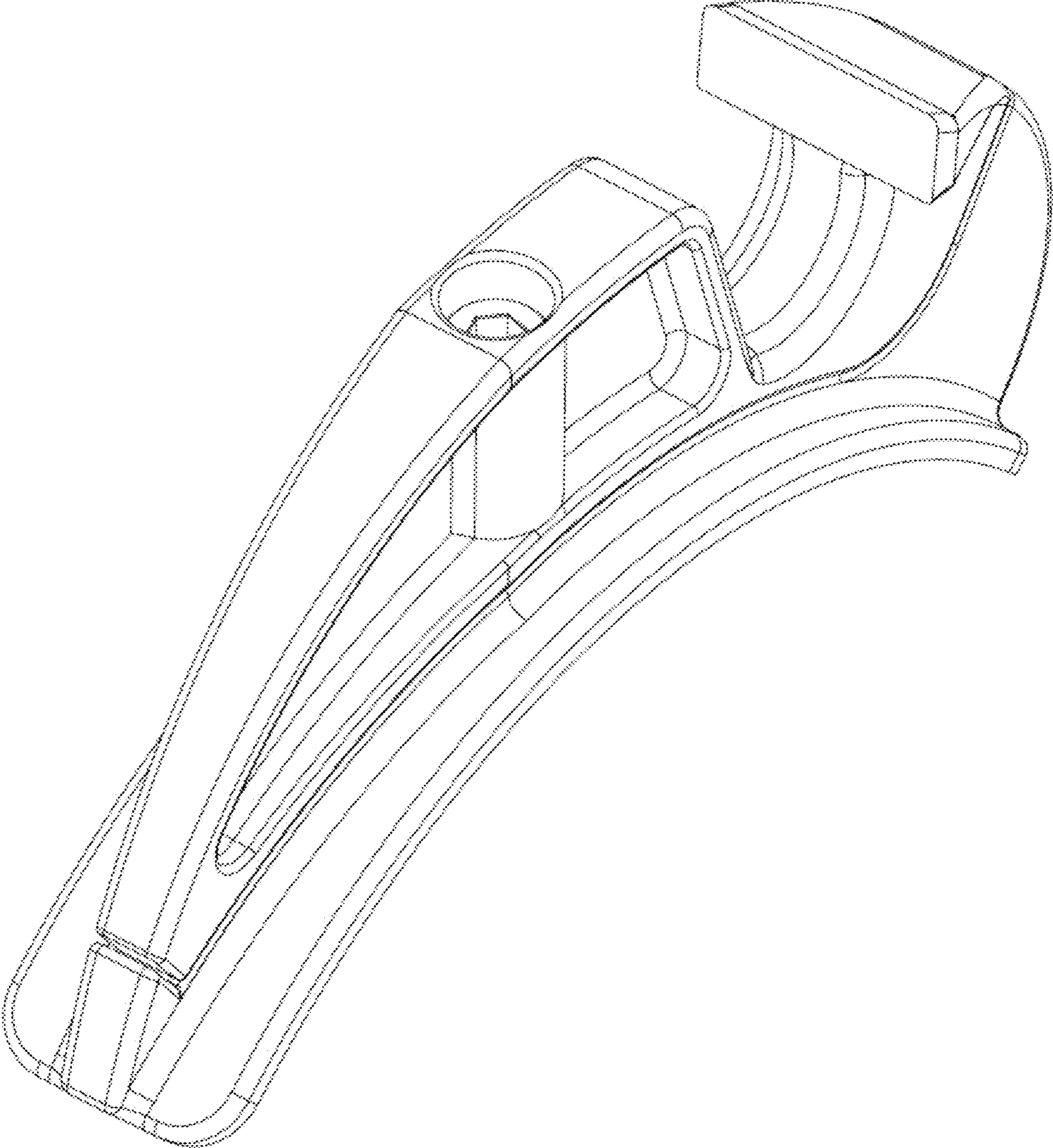


FIG. 1

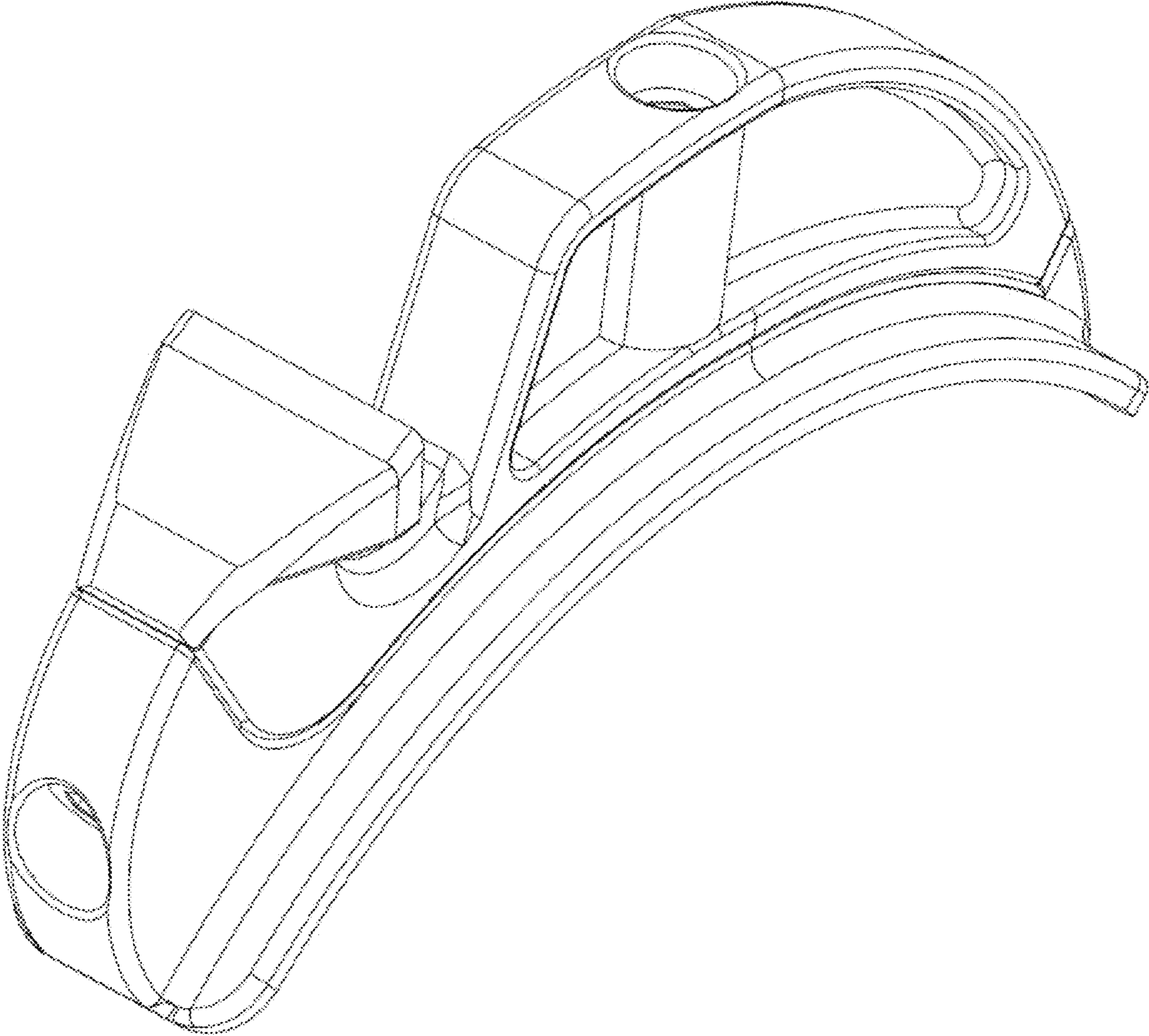


FIG. 2

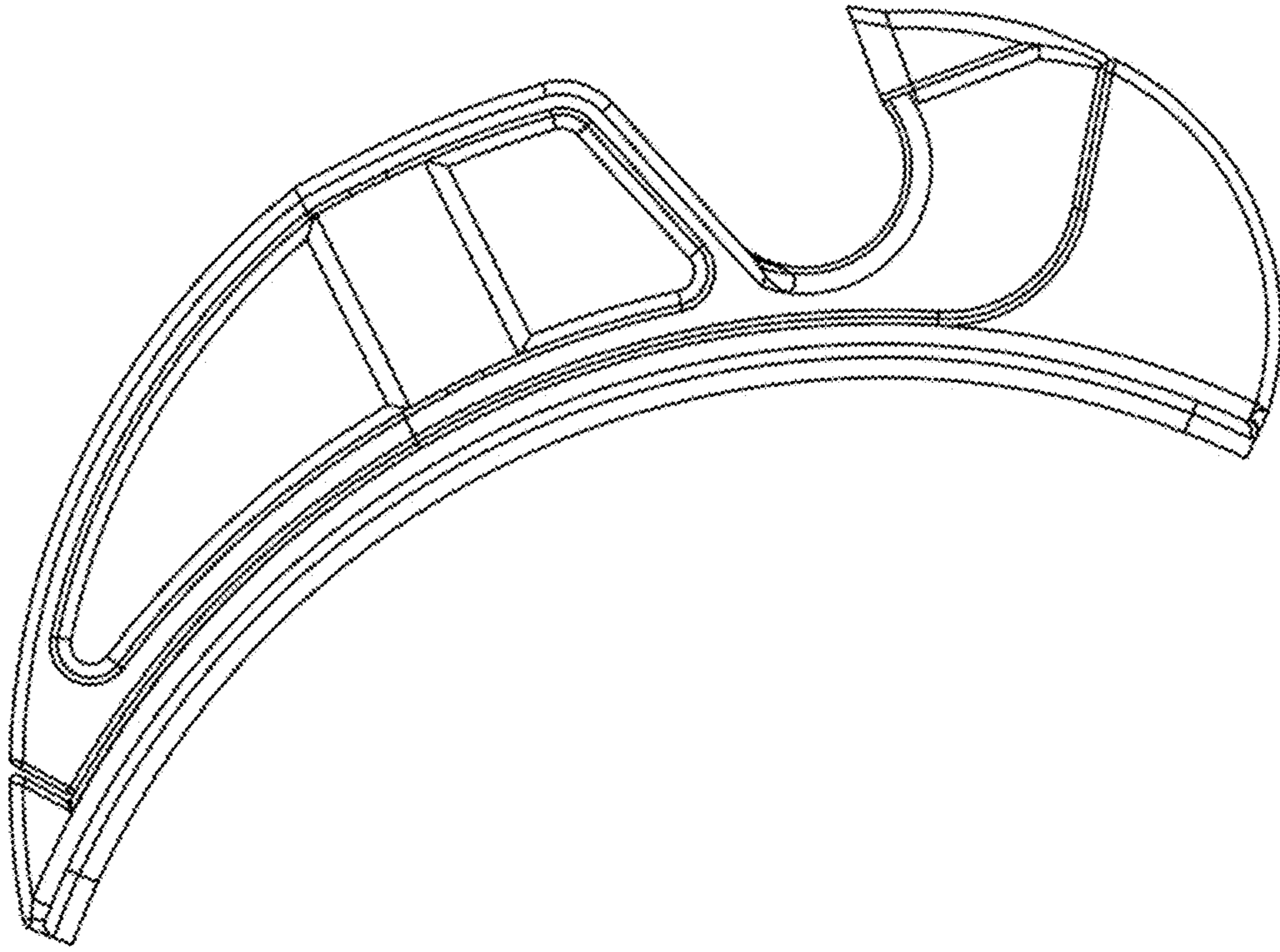


FIG. 3

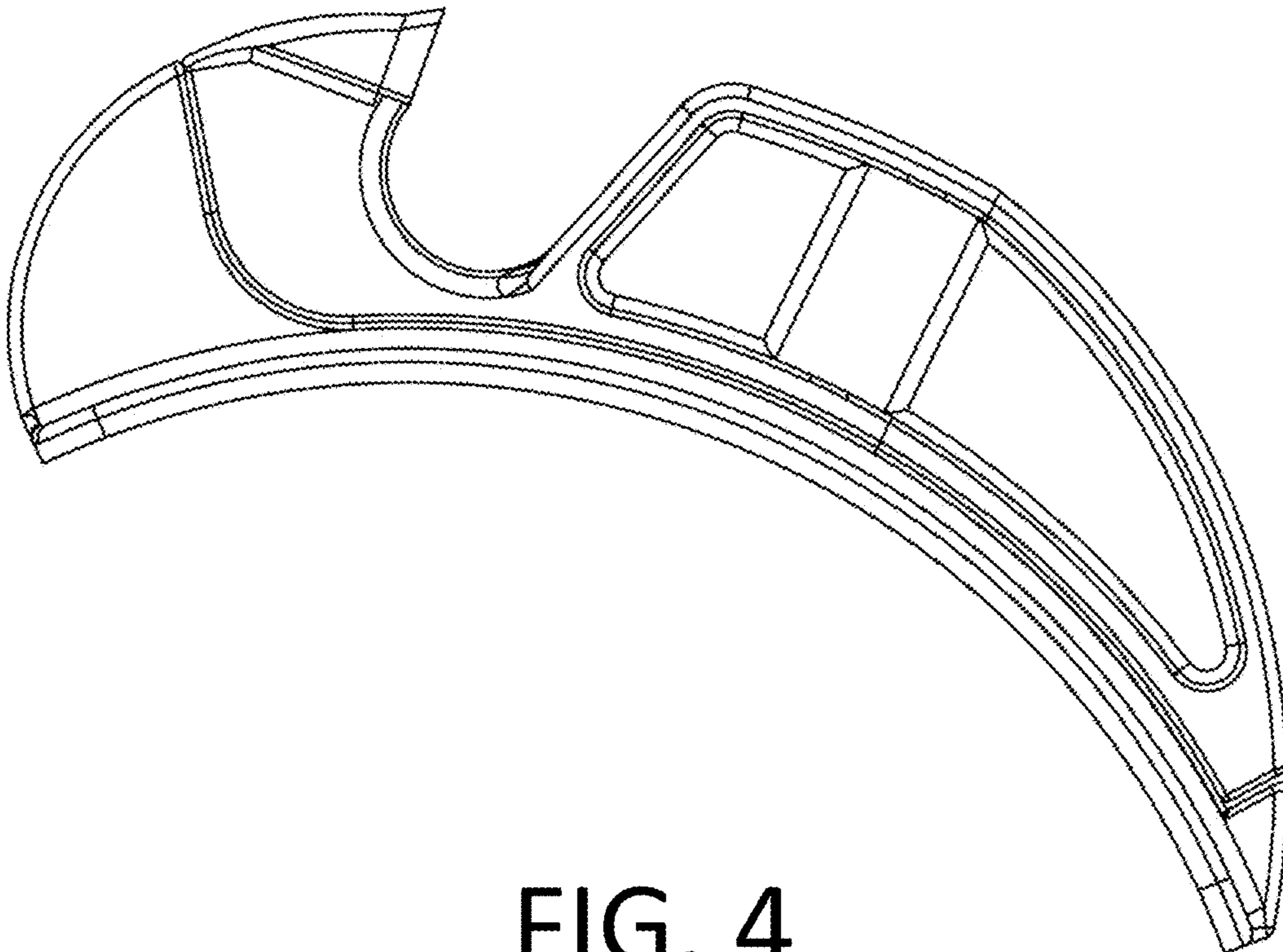


FIG. 4

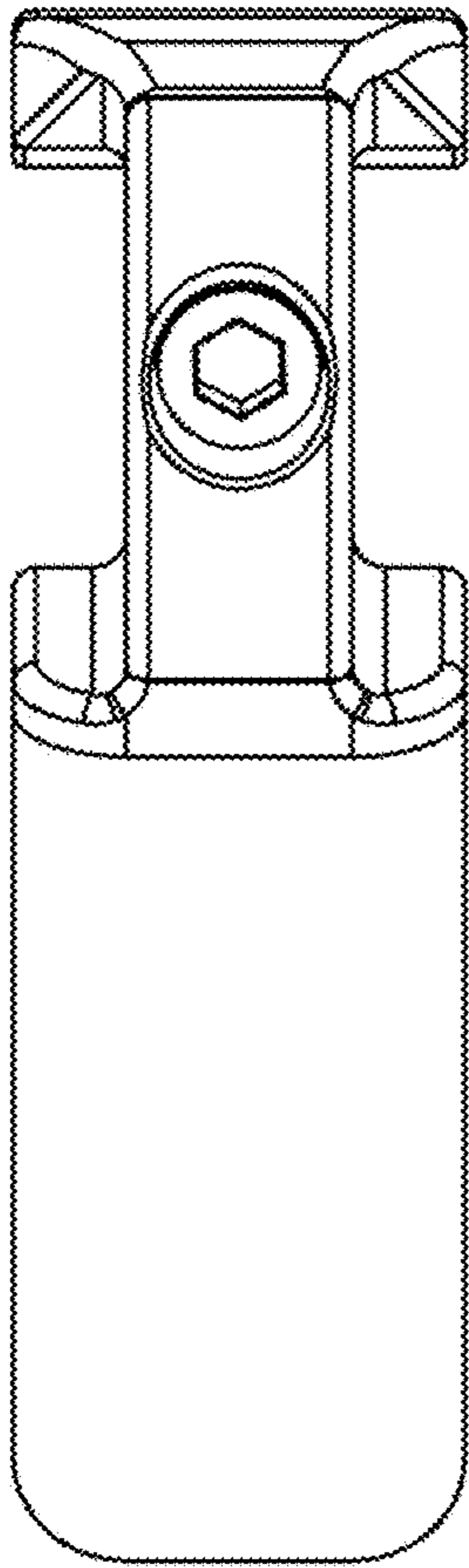


FIG. 5

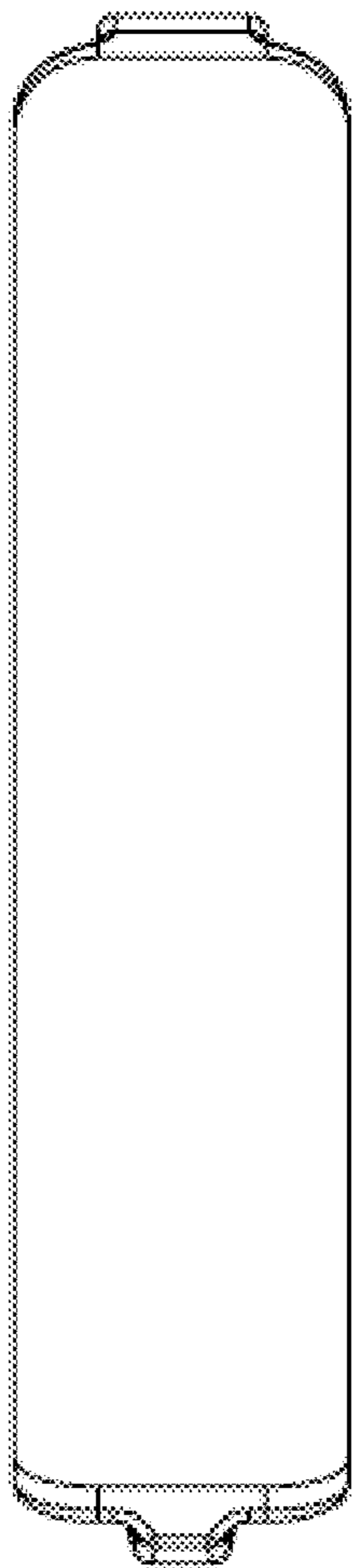


FIG. 7

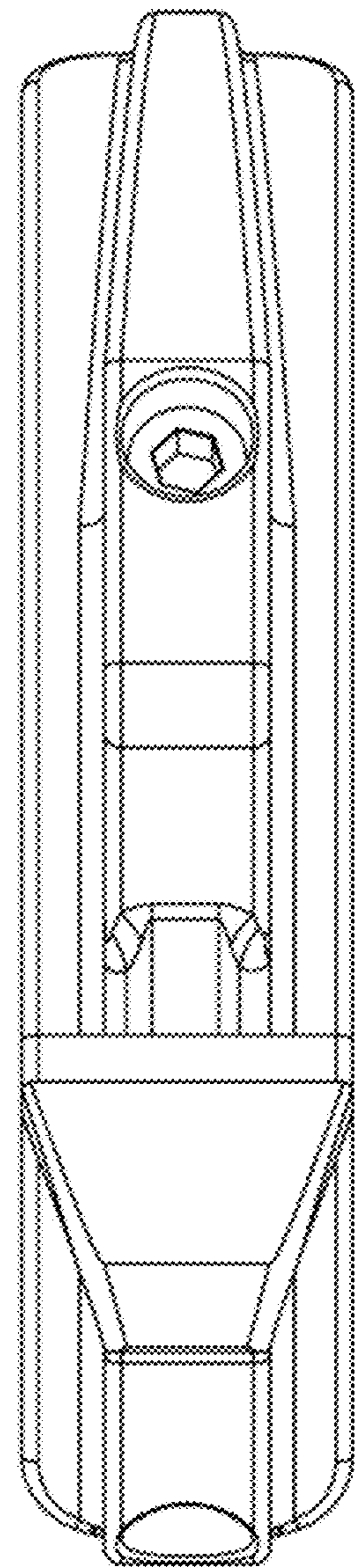


FIG. 6

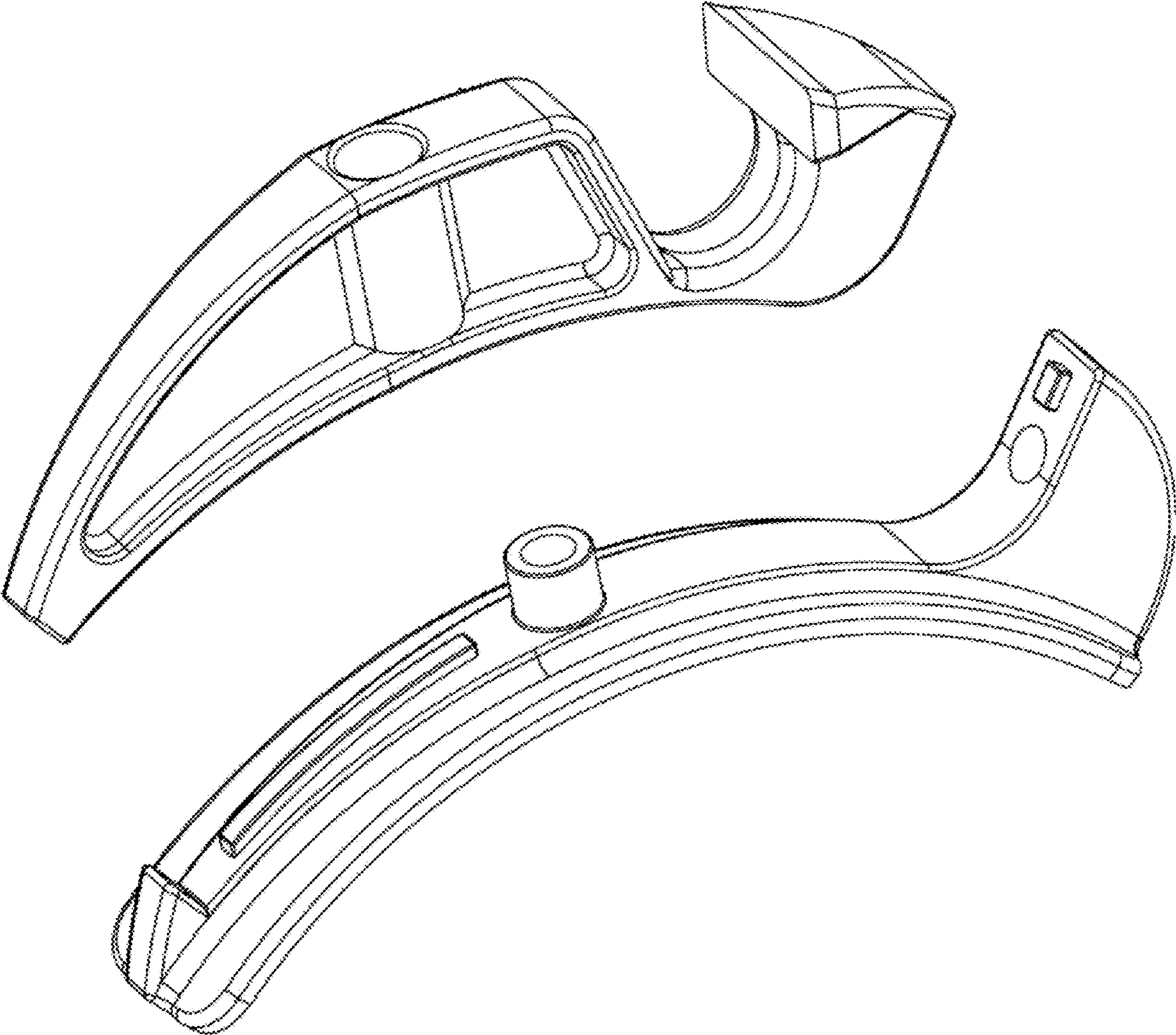


FIG. 8

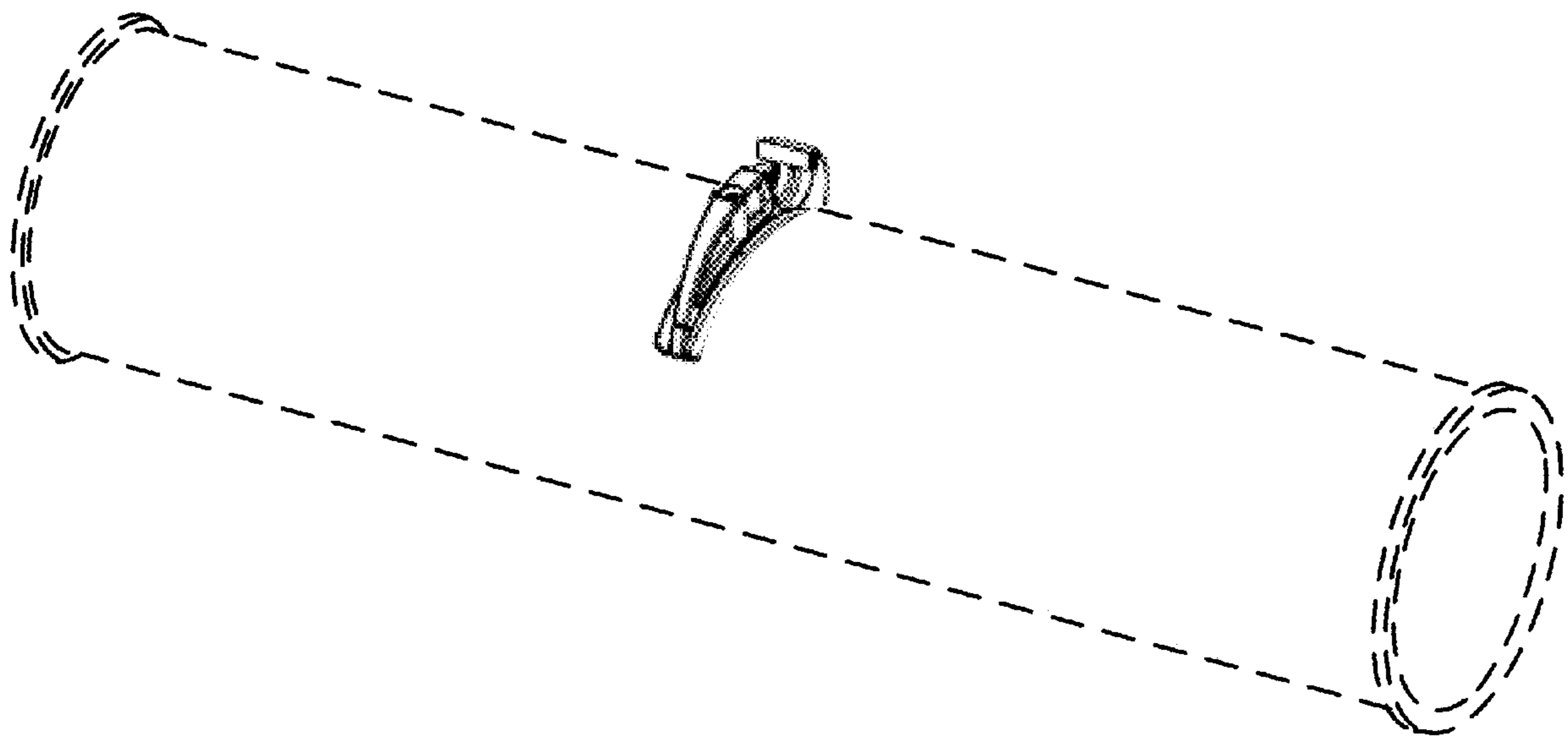


FIG. 9